



US00D462086S

(12) **United States Design Patent**  
**Falk et al.**

(10) **Patent No.:** **US D462,086 S**

(45) **Date of Patent:** **\*\* Aug. 27, 2002**

(54) **DOCUMENT PRINTER**

(75) Inventors: **Kevin Lloyd Falk**, Boise, ID (US);  
**Carlos Garnier Ortiz; Claudia Santillan Figueroa**, both of  
Guadalajara (MX); **Angelo Michael LaBarbera**, Eagle, ID (US)

(73) Assignee: **Hewlett-Packard Company**, Palo Alto,  
CA (US)

(\*\*) Term: **14 Years**

(21) Appl. No.: **29/141,048**

(22) Filed: **Apr. 27, 2001**

(51) **LOC (7) Cl.** ..... **14-02**

(52) **U.S. Cl.** ..... **D18/55**

(58) **Field of Search** ..... D18/50, 54-55,  
D18/36-38; 400/613, 613.1-613.4, 690.1-690.4,  
691-694

(56) **References Cited**

**U.S. PATENT DOCUMENTS**

D263,600 S \* 3/1982 Furukawa ..... D18/37  
D269,618 S \* 7/1983 Lucker ..... D18/38  
D313,613 S \* 1/1991 Nagaya ..... D18/55

D338,031 S \* 8/1993 Katada et al. .... D18/36  
D351,189 S \* 10/1994 Yamaguchi et al. .... D18/55  
D354,304 S \* 1/1995 Ishibashi et al. .... D18/36  
D354,511 S \* 1/1995 Agata et al. .... D18/36  
D374,889 S \* 10/1996 Barbera et al. .... D18/54  
D376,171 S \* 12/1996 Senshiki ..... D18/55  
D382,584 S \* 8/1997 Takada ..... D18/55  
D407,741 S \* 4/1999 Kusanagi ..... D18/55  
D423,562 S \* 4/2000 Kobayashi ..... D18/55  
D430,596 S \* 9/2000 Shiozaki et al. .... D18/54  
D441,785 S \* 5/2001 Yoshida et al. .... D18/55  
D443,891 S \* 6/2001 Yonekawa et al. .... D18/55

\* cited by examiner

*Primary Examiner*—Cathy Anne MacCormac

(57) **CLAIM**

The ornamental design for a document printer, as shown.

**DESCRIPTION**

FIG. 1 is a perspective view of a document printer showing the new design;

FIG. 2 is a top view thereof;

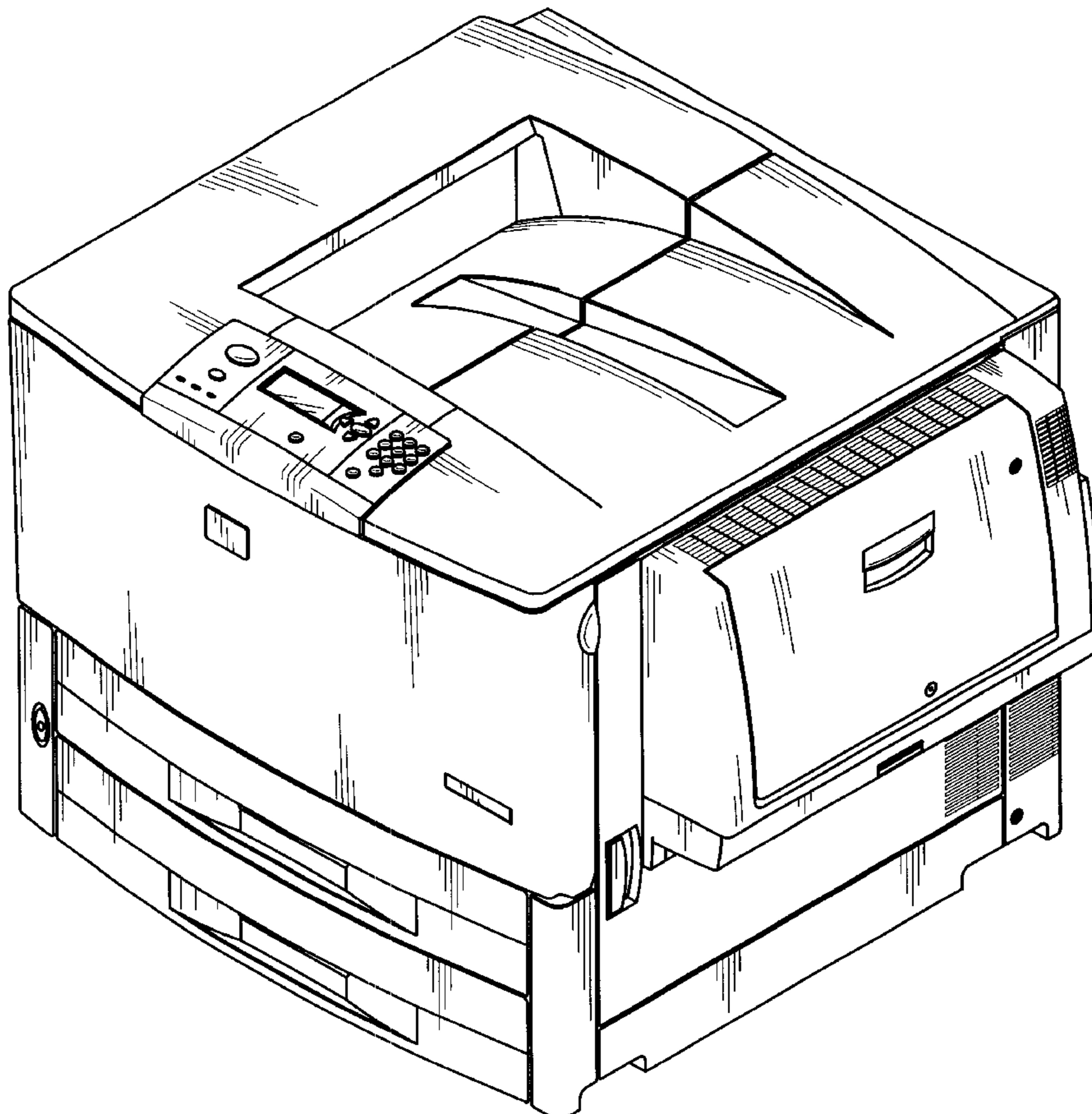
FIG. 3 is a front view thereof;

FIG. 4 is a left side view thereof;

FIG. 5 is a right side view thereof; and,

FIG. 6 is a rear view thereof.

**1 Claim, 6 Drawing Sheets**



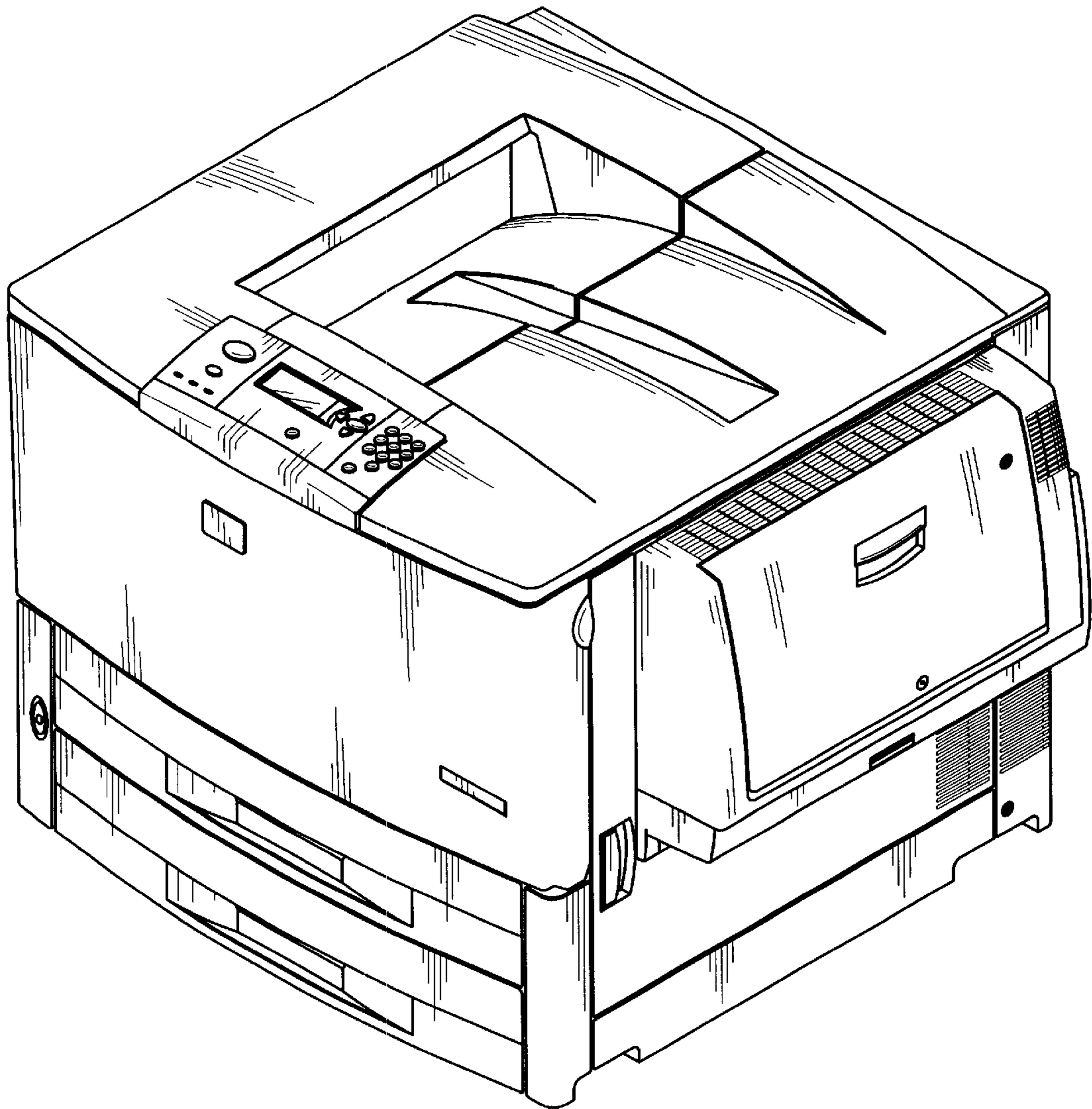


FIG. 1

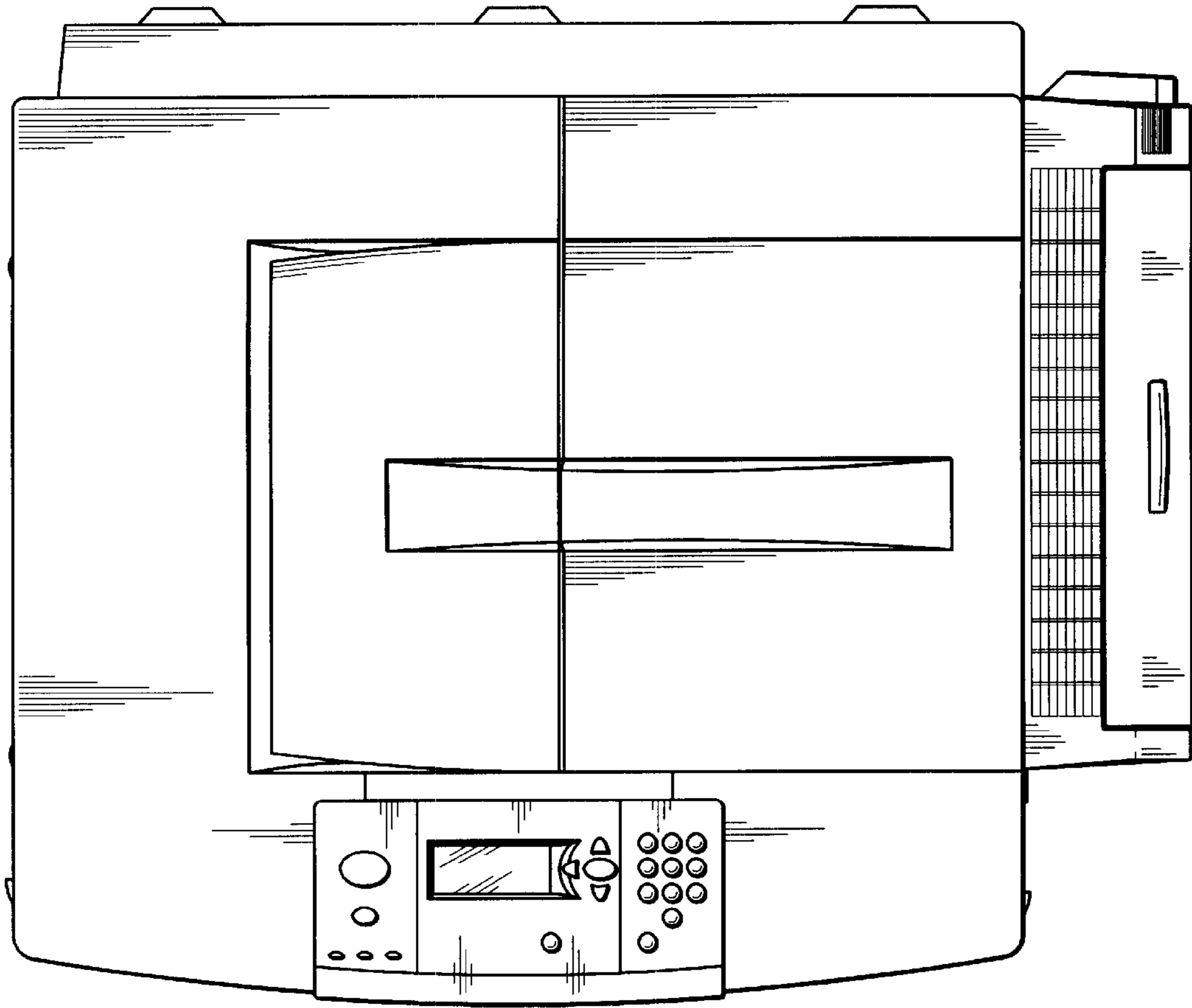


FIG. 2

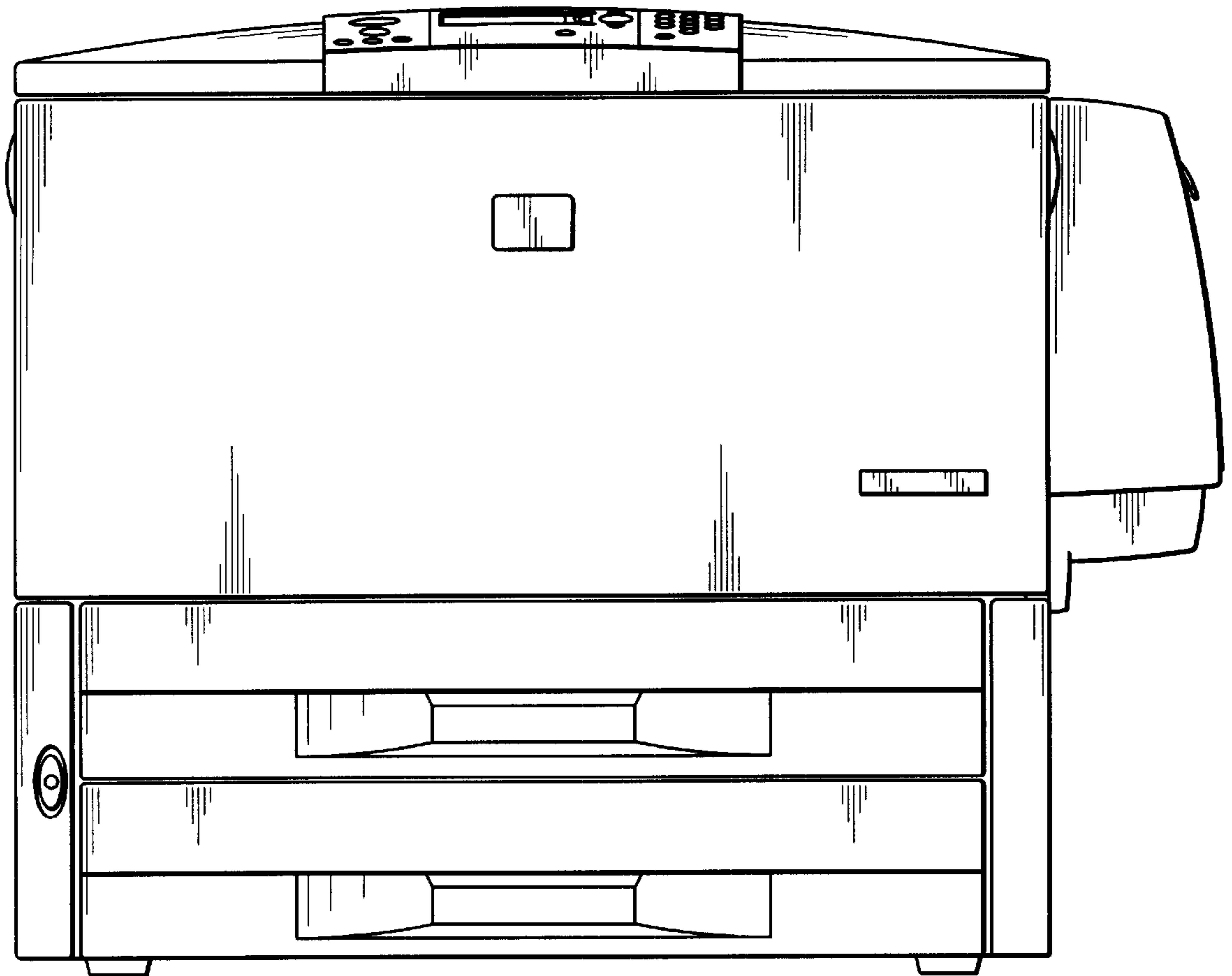


FIG. 3

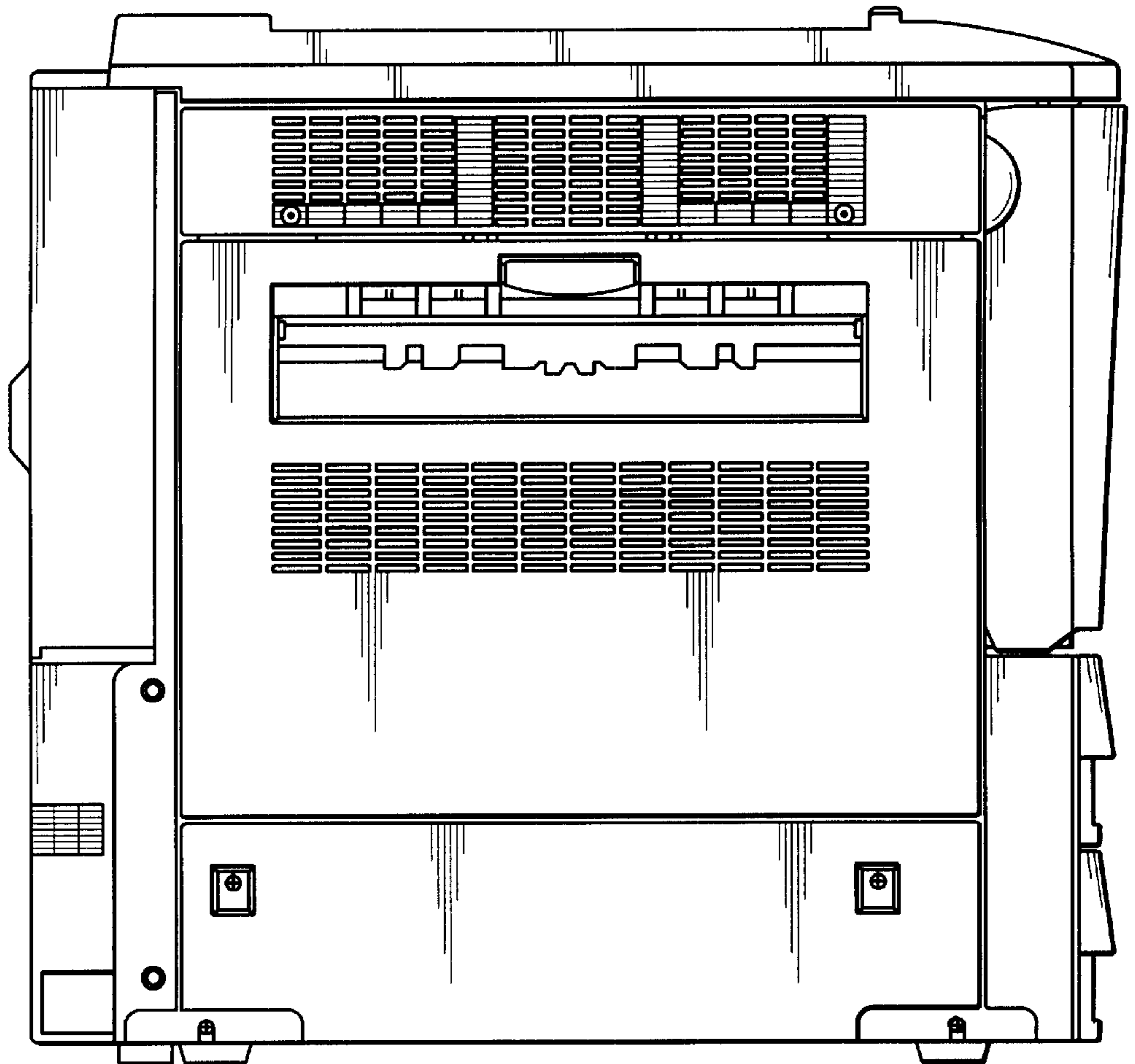


FIG. 4

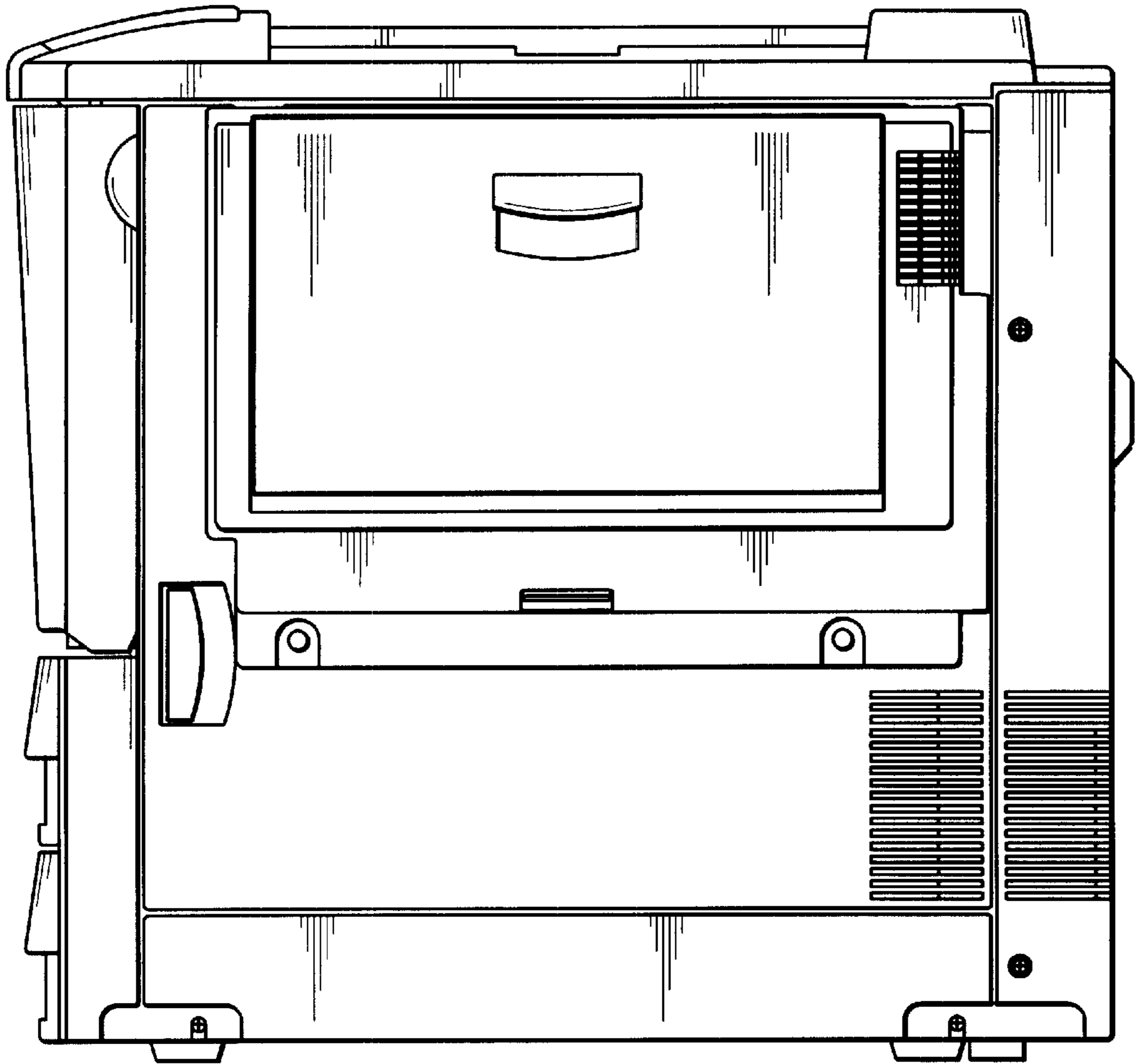


FIG. 5



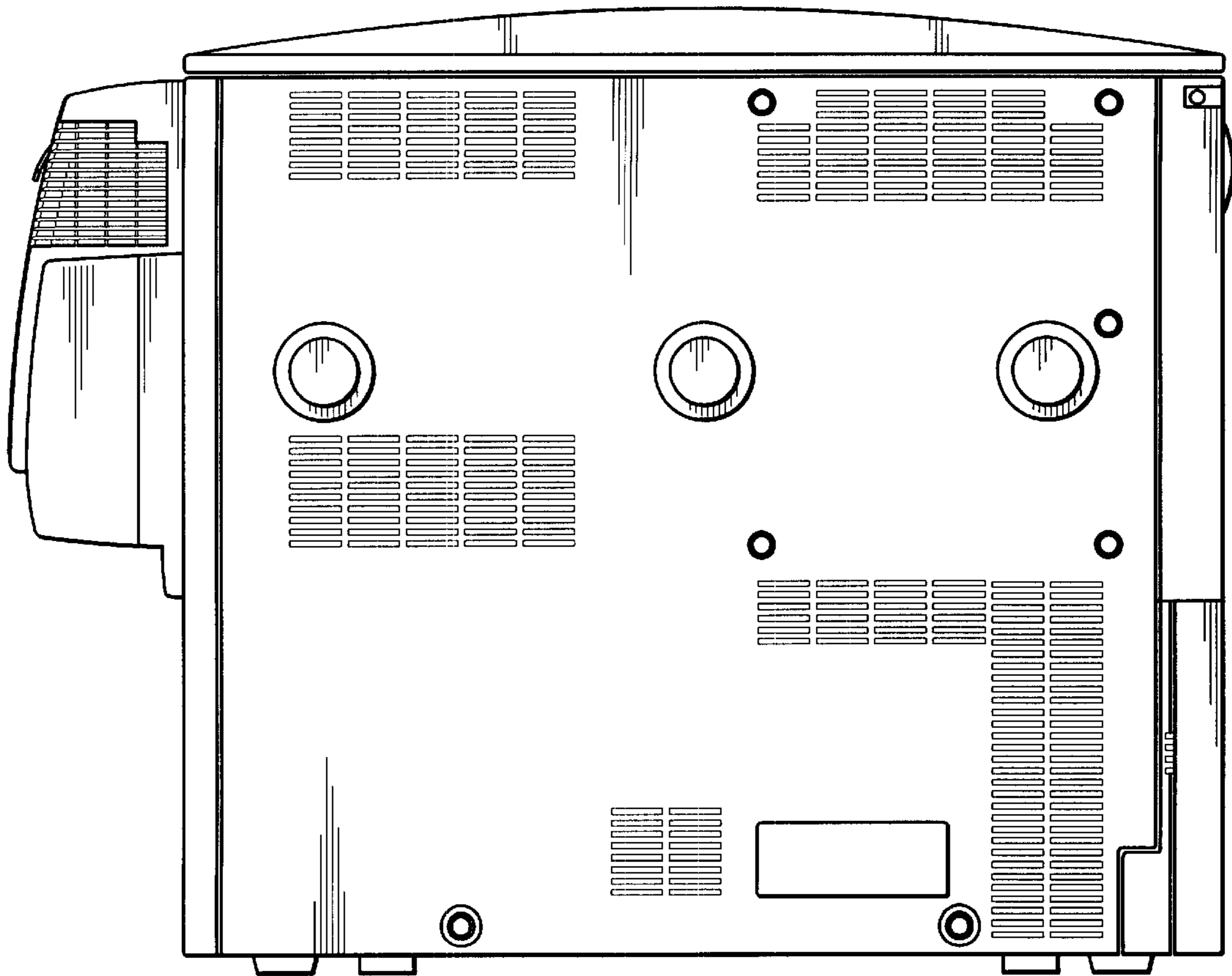


FIG. 6