



US00D462079S

(12) **United States Design Patent**
Okuley

(10) **Patent No.:** **US D462,079 S**

(45) **Date of Patent:** **** Aug. 27, 2002**

(54) **MICROSCOPE SLIDE CLIP**

(75) Inventor: **Jim Okuley**, Portland, OR (US)

(73) Assignee: **Intel Corporation**, Santa Clara, CA (US)

(**) Term: **14 Years**

(21) Appl. No.: **29/147,999**

(22) Filed: **Sep. 13, 2001**

(51) **LOC (7) Cl.** **16-06**

(52) **U.S. Cl.** **D16/131**

(58) **Field of Search** D16/130, 131;
359/383, 384, 385, 390, 391

(56) **References Cited**

U.S. PATENT DOCUMENTS

198,607	A	*	12/1877	Gundlach	359/391
352,639	A	*	11/1886	Allen	359/383
1,617,722	A	*	2/1927	Posch	359/383
2,048,440	A	*	7/1936	Fassin	359/384
2,132,122	A	*	10/1938	Ott	359/384
2,287,764	A	*	6/1942	Gary	359/390
2,544,371	A	*	3/1951	Weiser	359/383
2,781,692	A	*	2/1957	Krause	359/391
3,848,963	A	*	11/1974	Peck	359/391
4,620,776	A	*	11/1986	Ima	359/391
5,052,788	A	*	10/1991	Tachibana	359/391

* cited by examiner

Primary Examiner—Paula A. Mortimer
(74) *Attorney, Agent, or Firm*—Schwegman, Lundberg, Woessner & Kluth, P.A.

(57) **CLAIM**

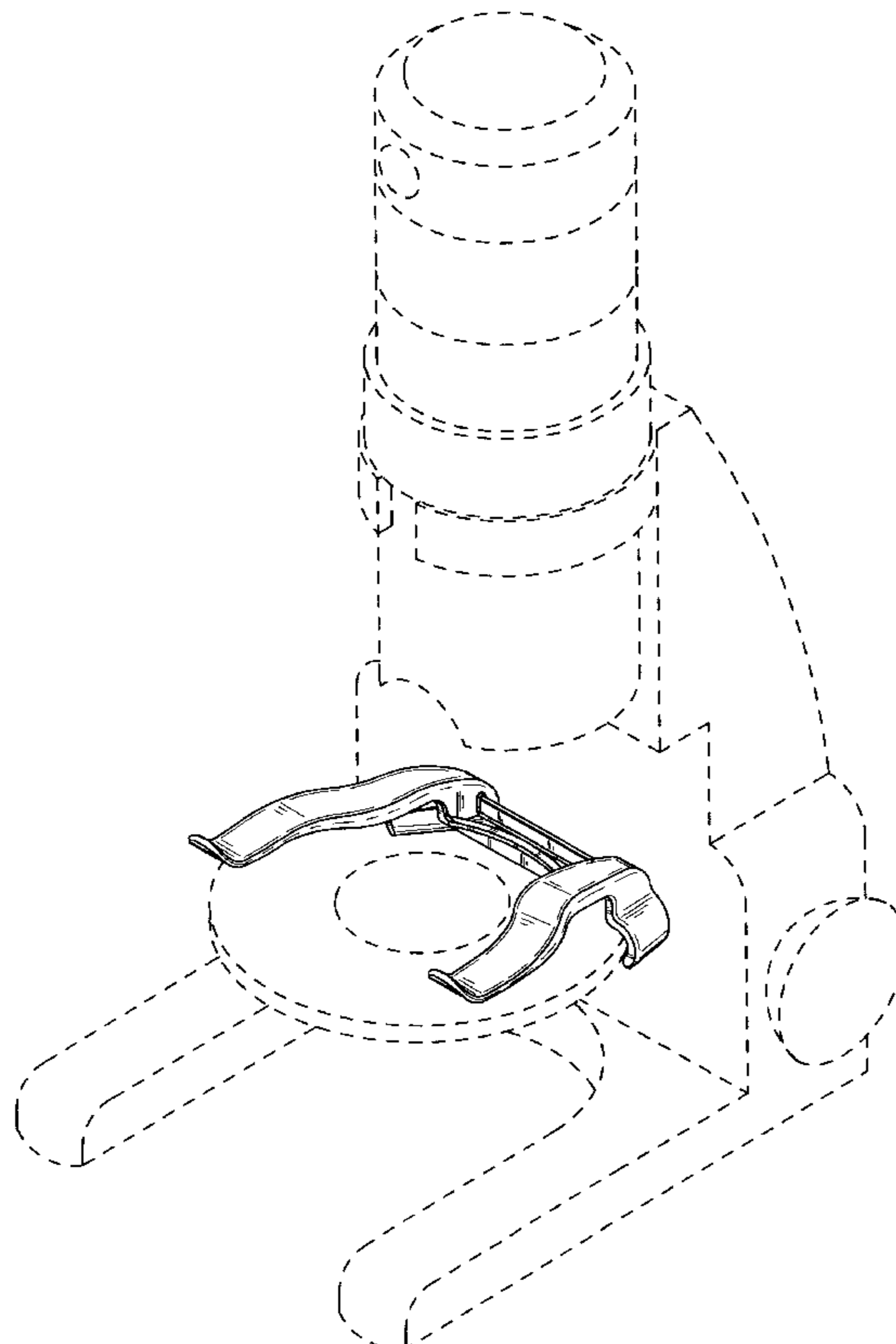
The ornamental design for the microscope slide clip, as shown and described.

DESCRIPTION

FIG. 1 is a perspective view of a microscope slide clip shown as it would appear mounted on a microscope in a position of use, with the microscope shown in phantom line; FIG. 2 is a top view of the microscope slide clip of FIG. 1; FIG. 3 is a bottom view of the microscope slide clip of FIG. 1; FIG. 4 is a left side elevational view of the microscope slide clip of FIG. 1; FIG. 5 is a right side elevational view of the microscope slide clip of FIG. 1; FIG. 6 is a rear elevational view of the microscope slide clip of FIG. 1; and, FIG. 7 is a front elevational view of the microscope slide clip of FIG. 1.

The broken line showing of the microscope in FIG. 1 is for illustrative purposes only and forms no part of the claimed design.

1 Claim, 5 Drawing Sheets



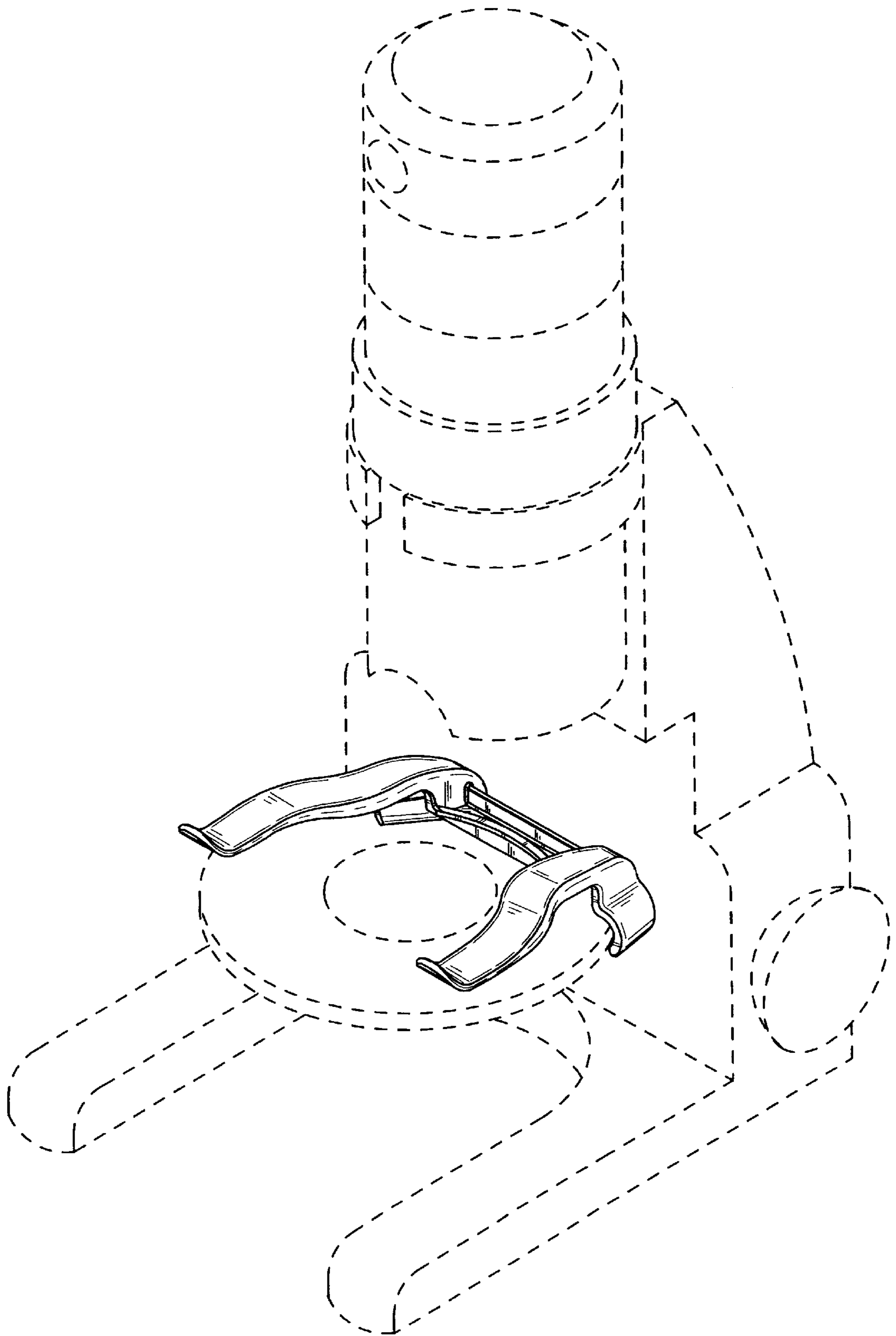


FIG. 1

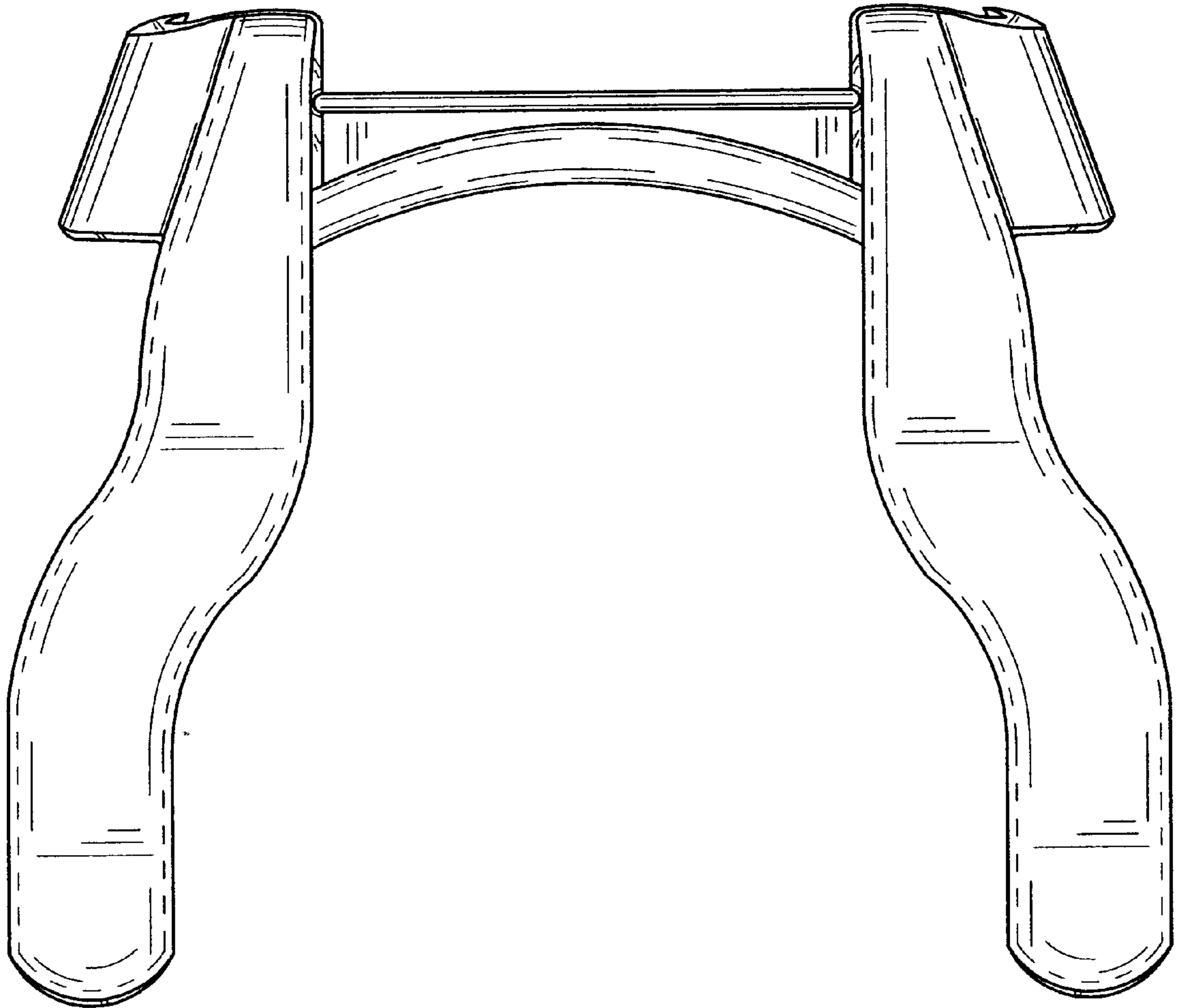


FIG. 2

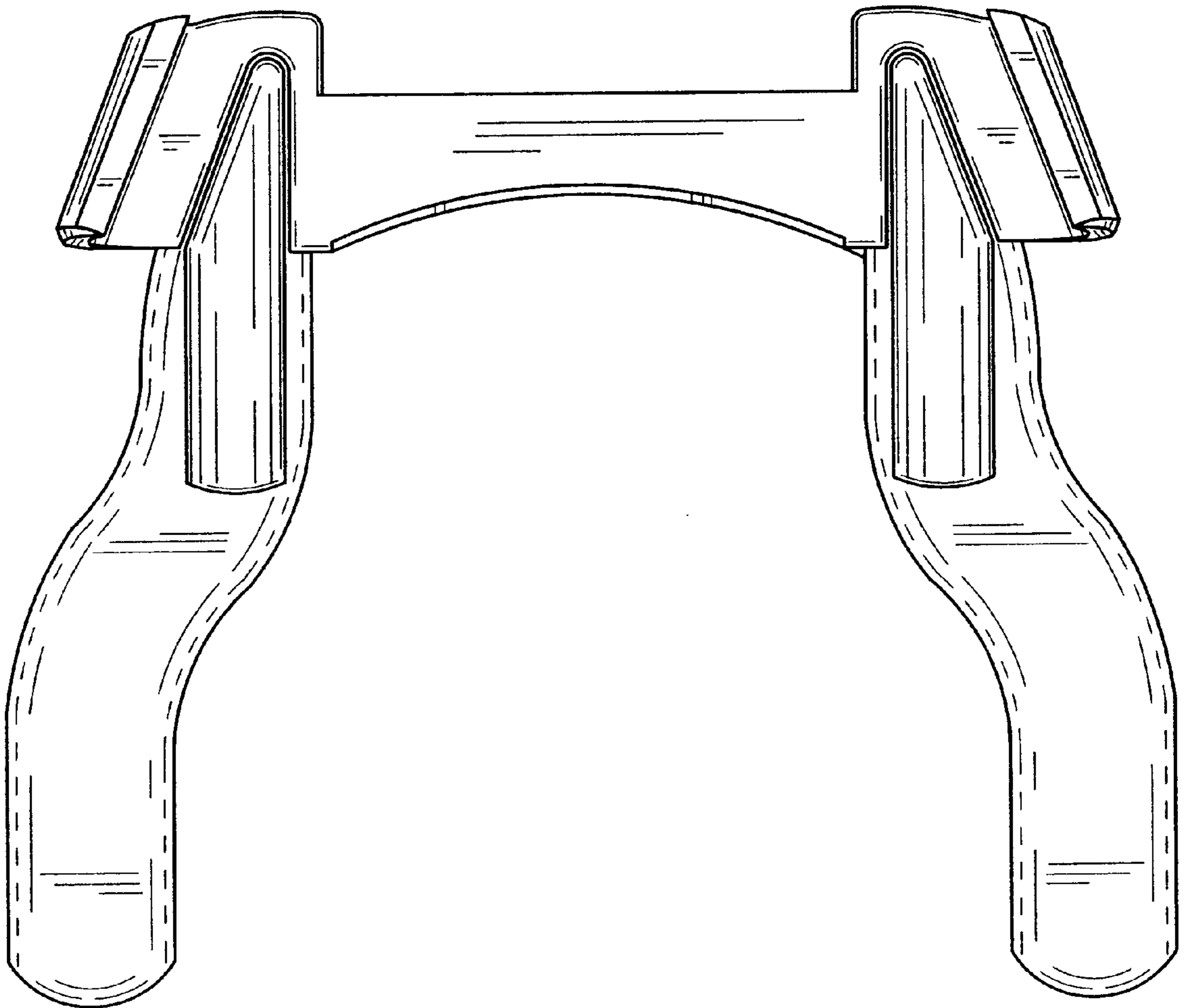


FIG. 3

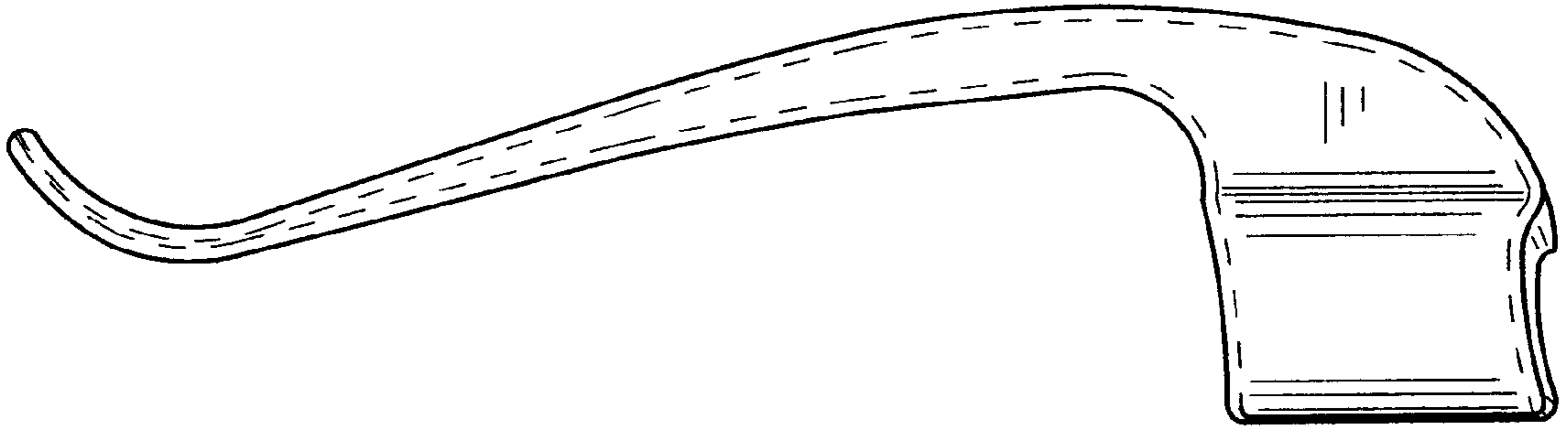


FIG. 4

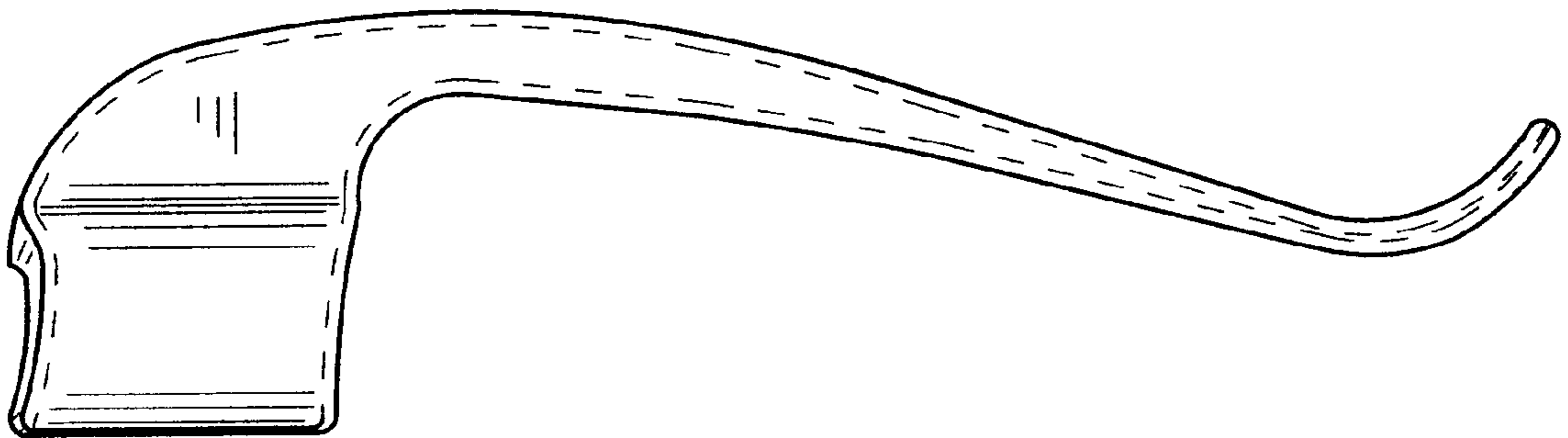


FIG. 5

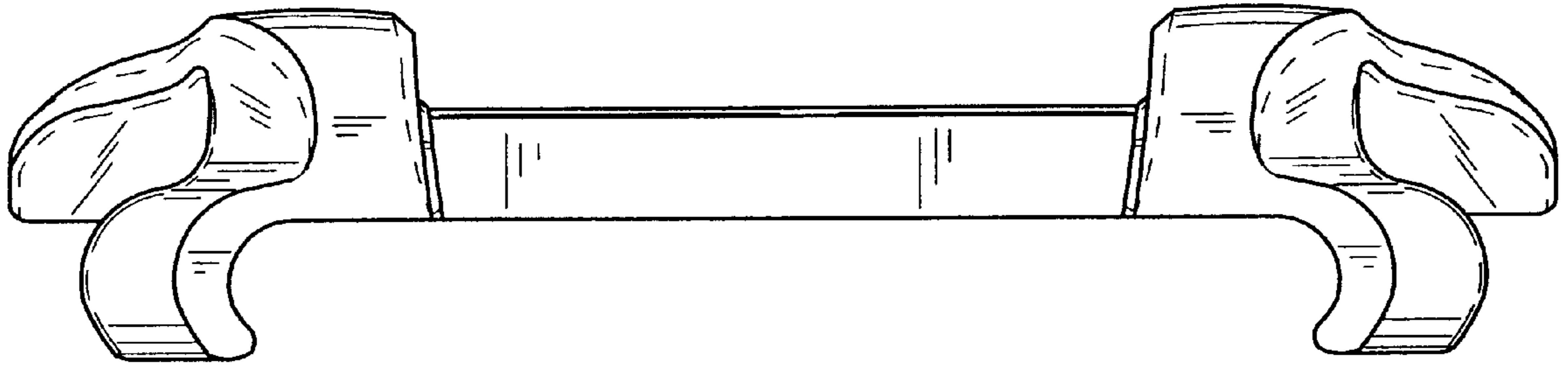


FIG. 6

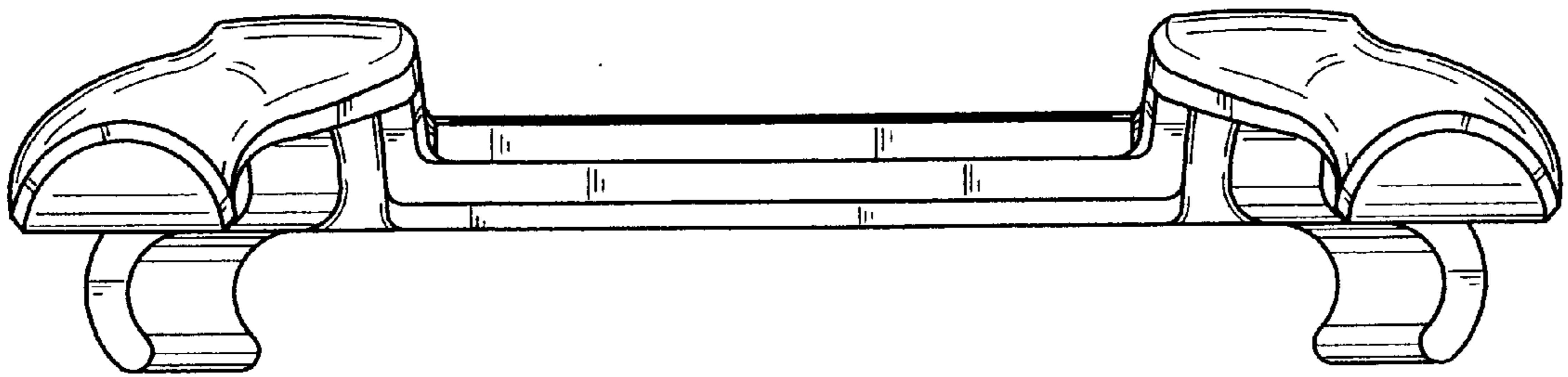


FIG. 7