



US00D462078S

(12) **United States Design Patent**  
**Hansen**

(10) **Patent No.:** **US D462,078 S**

(45) **Date of Patent:** **\*\* Aug. 27, 2002**

(54) **TROLLING MOTOR MOUNT**

(75) Inventor: **Ronald P. Hansen**, Mapleton, MN (US)

(73) Assignee: **Johnson Outdoors Inc.**, Sturtevant, WI (US)

(\*\*) Term: **14 Years**

4,534,737 A	8/1985	Henderson
4,555,233 A	11/1985	Klammer st al.
4,631,034 A	12/1986	Menne et al.
4,664,644 A	5/1987	Kumata et al.
4,668,195 A	5/1987	Smith
4,698,032 A	10/1987	Hill
4,734,068 A	3/1988	Edwards
4,735,166 A	4/1988	Dimalanta
4,820,208 A	4/1989	Phillips, Sr.

(List continued on next page.)

(21) Appl. No.: **29/124,859**

(22) Filed: **Jun. 13, 2000**

(51) **LOC (7) Cl.** ..... **15-01**

(52) **U.S. Cl.** ..... **D15/4**

(58) **Field of Search** ..... D15/4; 74/512,  
74/500.5, 501.5 R, 515 R; 440/6, 7, 56,  
63; 114/153; 84/426

**FOREIGN PATENT DOCUMENTS**

DE	3733731	4/1989
GB	2 106 848	4/1983

**OTHER PUBLICATIONS**

Johnny Morris "Bass Pro Shops 25<sup>th</sup> Anniversary" 1997 Catalog, front cover, back cover, pp. 319-328.  
JWA Marine, Minn Kota Electric Fishing Motors, 1997, 52 pages.  
Motor Guide, Take on the World, Sporting Goods, 2000 Catalog, 24 pages.

*Primary Examiner*—Melody N. Brown  
(74) *Attorney, Agent, or Firm*—Foley & Lardner

(56) **References Cited**

**U.S. PATENT DOCUMENTS**

1,671,169 A	5/1928	Swain
2,804,838 A	9/1957	Moser
2,902,967 A	9/1959	Wanzer
3,023,633 A	3/1962	Tudos, Jr.
3,246,915 A	4/1966	Alexander
3,470,844 A	10/1969	Johns et al.
3,598,947 A	8/1971	Osborn
3,707,939 A	1/1973	Berg
3,795,219 A	3/1974	Peterson
3,807,345 A	4/1974	Peterson
3,861,628 A	1/1975	Krieger
3,870,258 A	3/1975	Shimanckas et al.
3,915,417 A	10/1975	Norton et al.
3,930,461 A	1/1976	Brock et al.
3,948,204 A	4/1976	Brock et al.
3,989,000 A	11/1976	Foley, Jr.
3,995,579 A	12/1976	Childre
4,033,530 A	7/1977	Harris
4,129,088 A	12/1978	Foley, Jr.
4,151,807 A	5/1979	Black, Jr.
4,154,417 A	5/1979	Foley, Jr.
4,386,918 A	6/1983	Matthews et al.
4,417,879 A	11/1983	Kulischenko
4,527,983 A	7/1985	Booth

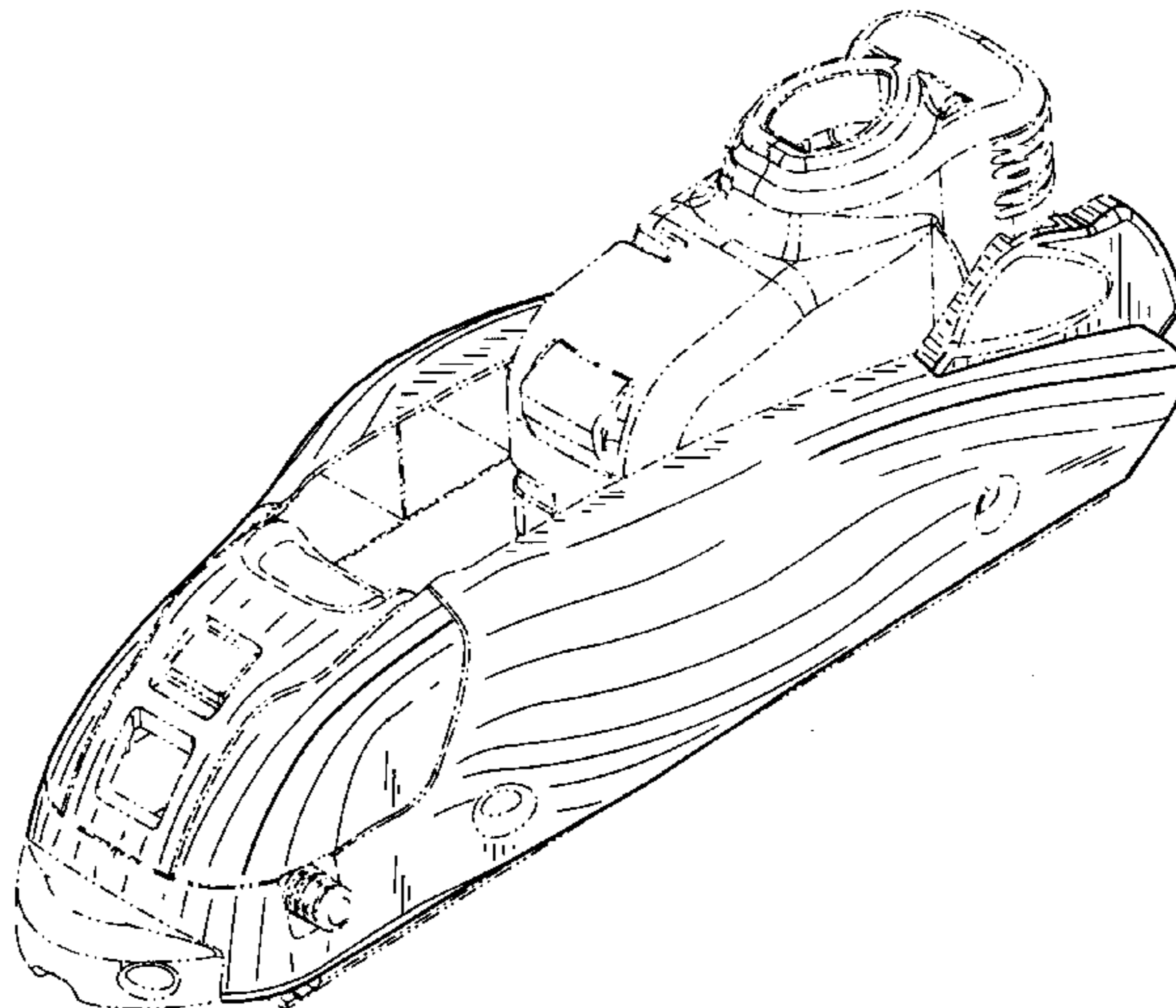
(57) **CLAIM**

The ornamental design for a trolling motor mount, as shown and described.

**DESCRIPTION**

FIG. 1 is a perspective view of a trolling motor mount of the present invention;  
FIG. 2 is a front elevational view thereof;  
FIG. 3 is a rear elevational view thereof;  
FIG. 4 is a left side elevational view thereof;  
FIG. 5 is a right side elevational view thereof;  
FIG. 6 is a top plan view thereof; and,  
FIG. 7 is a bottom plan view thereof.  
The broken lines in the drawings are for illustrative purposes only and form no part of the claimed design.

**1 Claim, 3 Drawing Sheets**



# US D462,078 S

Page 2

---

## U.S. PATENT DOCUMENTS

4,917,639 A	4/1990	Onoue	5,465,633 A	11/1995	Bernloehr
4,932,907 A	6/1990	Newman et al.	5,470,264 A	11/1995	Eick
5,037,337 A	8/1991	Richter	5,540,606 A	7/1996	Strayhorn
5,046,874 A	9/1991	Griffin, Jr. et al.	5,580,287 A	12/1996	Wierenga
5,083,948 A	1/1992	Grobson	5,607,136 A	3/1997	Bernloehr
5,129,845 A	7/1992	Henderson	5,618,212 A	4/1997	Moore
5,169,349 A	12/1992	Hilbert	D380,478 S *	7/1997	Robbins et al. .... D15/4
5,238,432 A	8/1993	Renner	D408,827 S *	4/1999	Cook, III et al. .... D15/4
5,425,675 A	6/1995	Pfeifer	5,892,338 A	4/1999	Moore et al.
5,439,401 A	8/1995	Clark			

\* cited by examiner

FIG. 1

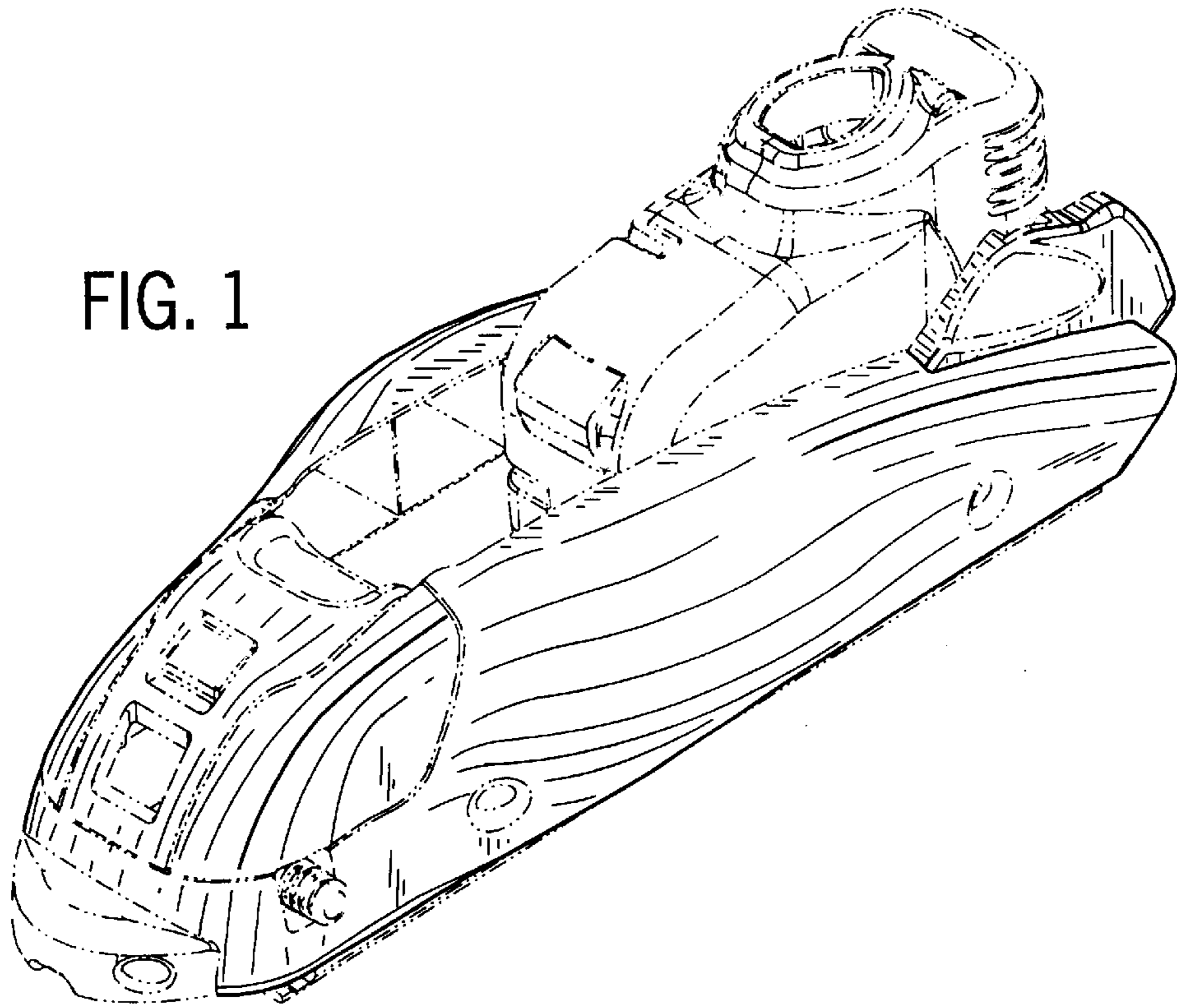


FIG. 2

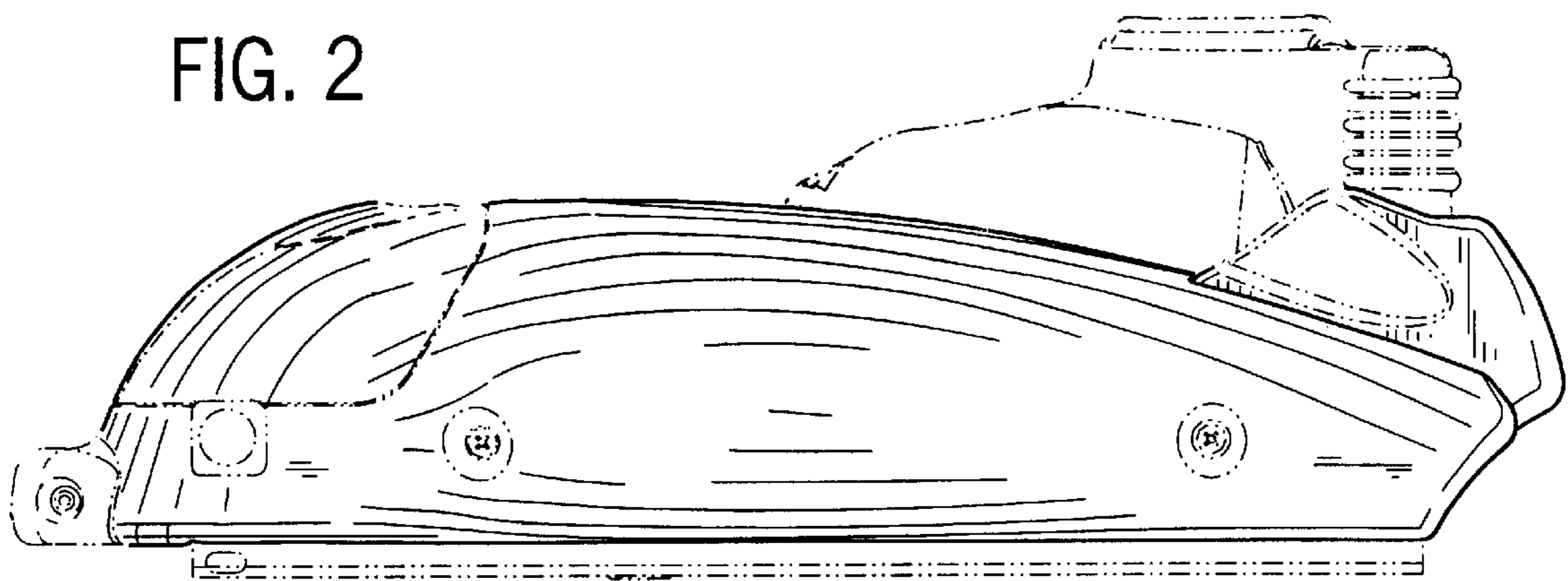


FIG. 3

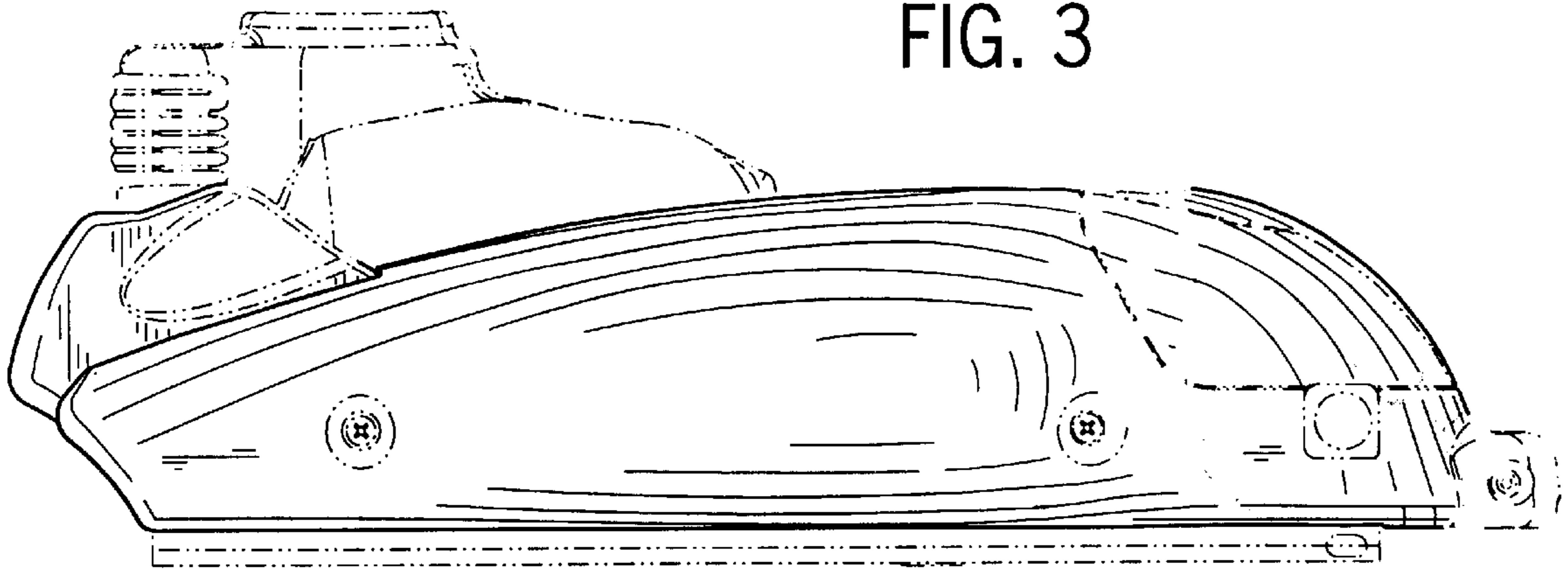


FIG. 4

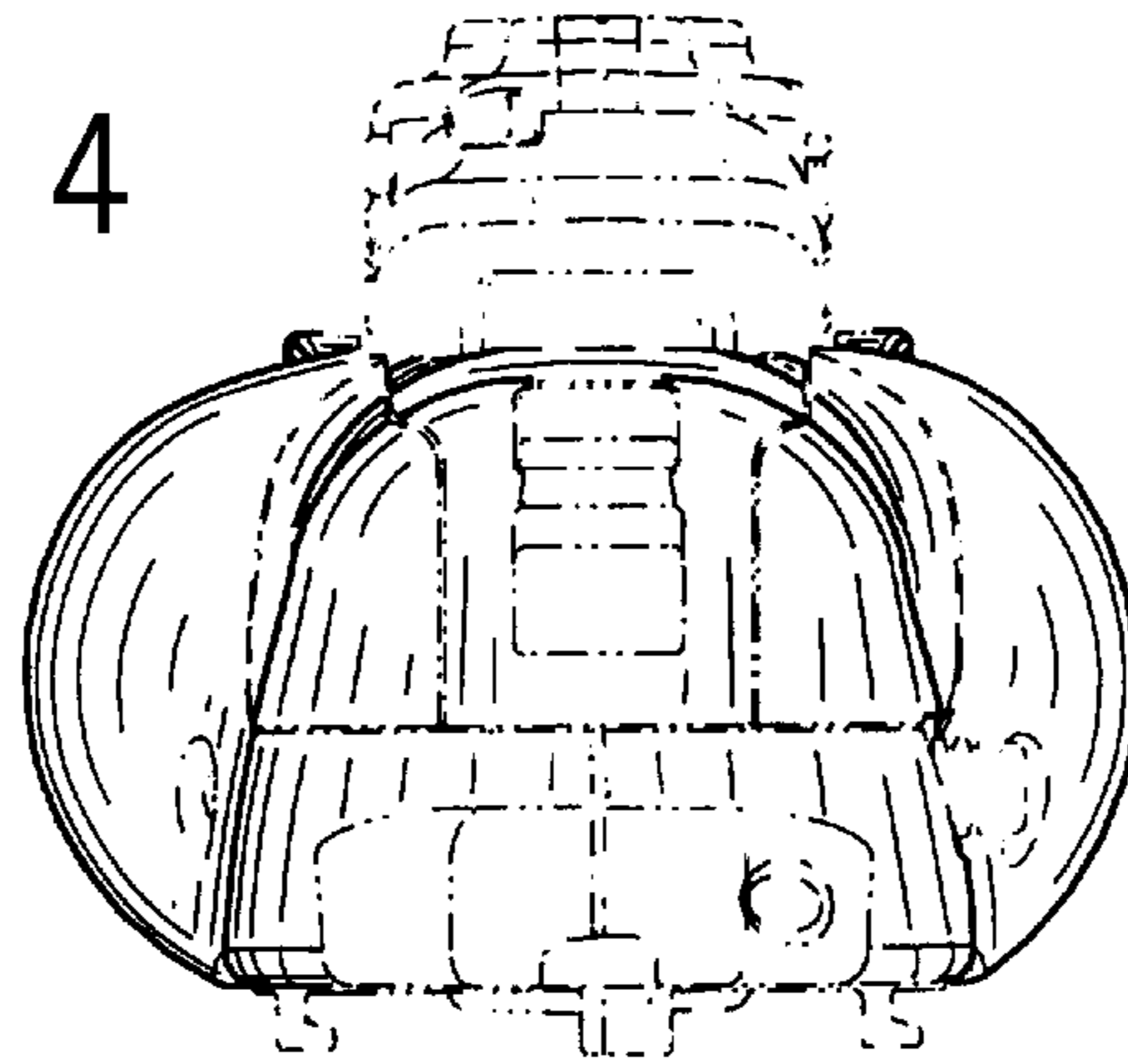


FIG. 5

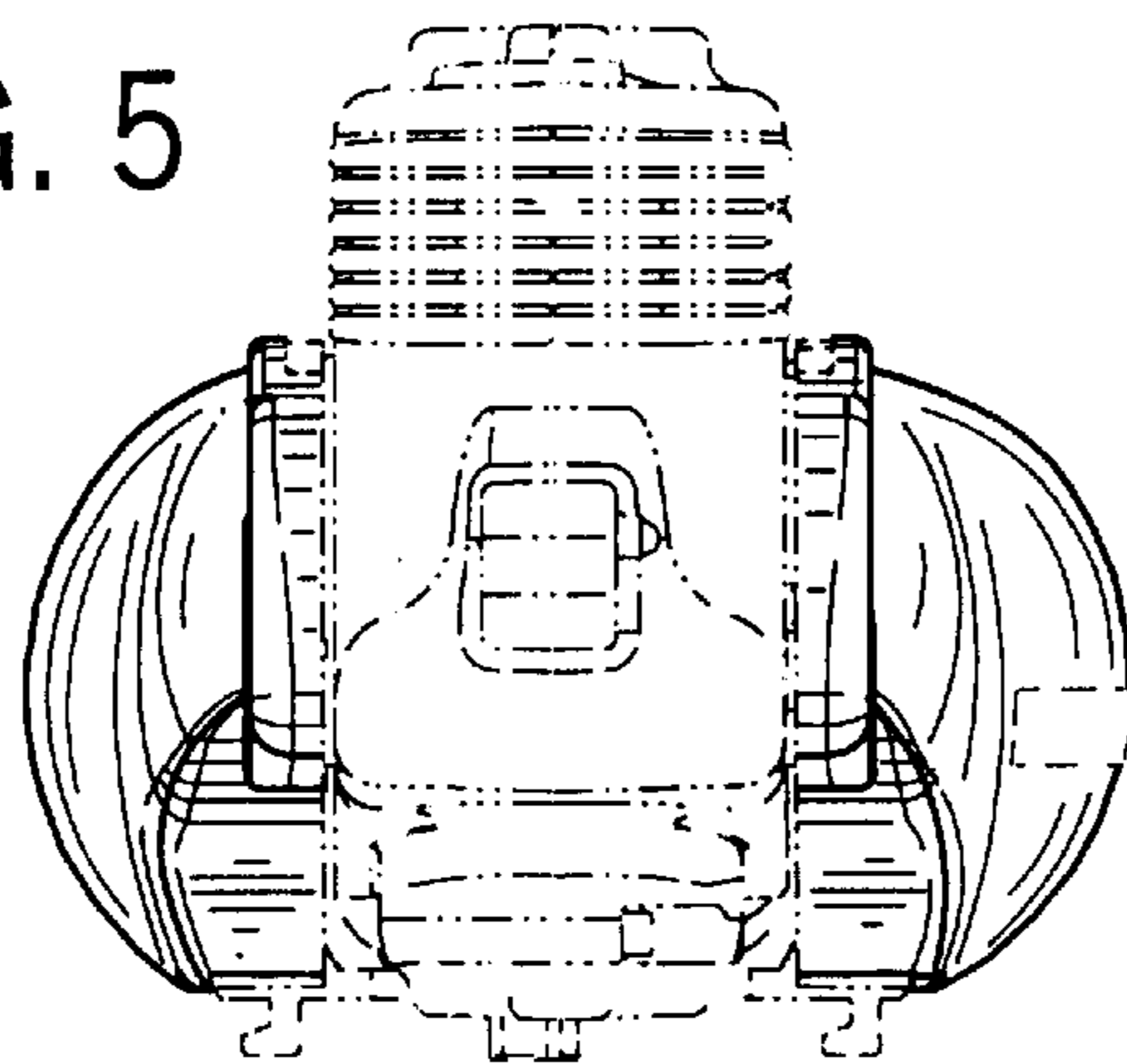


FIG. 6

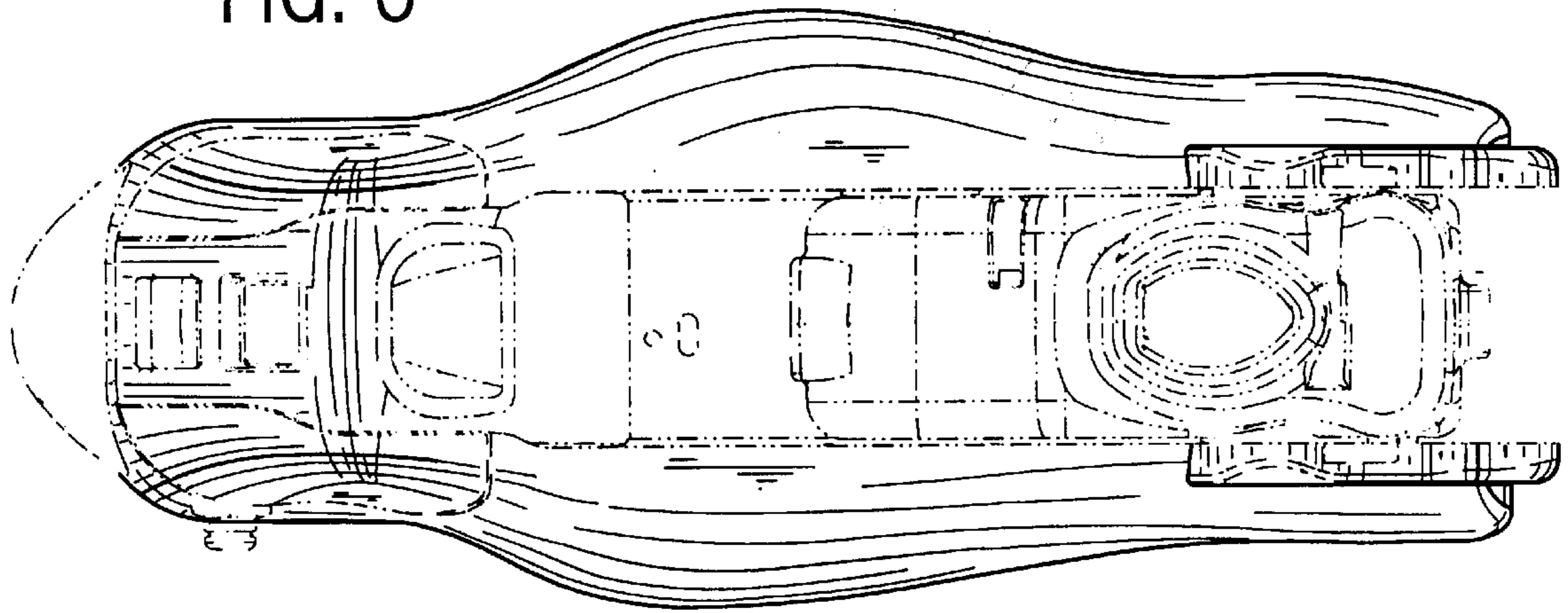


FIG. 7

