



US00D462073S

(12) **United States Design Patent**
Yoon

(10) **Patent No.:** **US D462,073 S**

(45) **Date of Patent:** **** Aug. 27, 2002**

(54) **FLOPPY DISK DRIVE**

(75) Inventor: **Duk-Chea Yoon, Suwon (KR)**
(73) Assignee: **Samsung Electro-Mechanics Co., Ltd. (KR)**

(**) Term: **14 Years**

(21) Appl. No.: **29/147,233**

(22) Filed: **Aug. 24, 2001**

(51) **LOC (7) Cl.** **14-02**

(52) **U.S. Cl.** **D14/368**

(58) **Field of Search** D14/363, 365,
D14/367, 368; D13/162, 184, 199; 312/223.1-223.3;
360/99.01-99.12; 361/690-696; 369/34.01,
36.01

(56) **References Cited**

U.S. PATENT DOCUMENTS

D337,997 S	*	8/1993	Brunner et al.	D14/368
D344,270 S	*	2/1994	Matsumoto et al.	D14/368
D346,593 S	*	5/1994	Mizusugi et al.	D14/368
D349,891 S	*	8/1994	Matsumoto et al.	D14/368
D371,546 S	*	7/1996	Kaneko	D14/368

FOREIGN PATENT DOCUMENTS

KR	9514069	7/1995
KR	9600835	1/1996
KR	9713490	6/1997

* cited by examiner

Primary Examiner—Freda Nunn

(74) *Attorney, Agent, or Firm*—Webb Ziesenheim Logsdon Orkin & Hanson, P.C.

(57) **CLAIM**

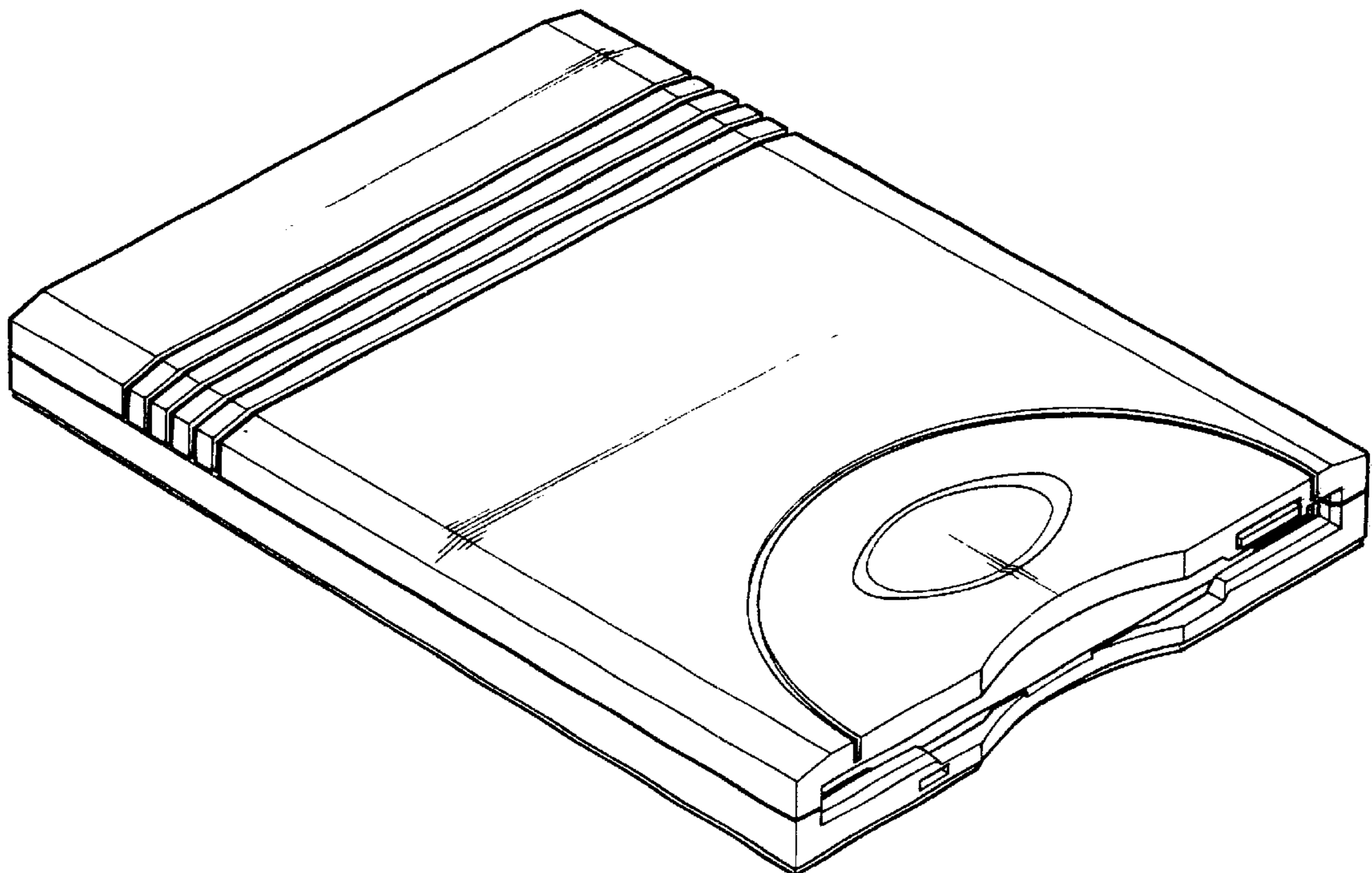
The ornamental design for a floppy disk drive, as shown and described.

DESCRIPTION

FIG. 1 is a perspective view of the floppy disk drive;
FIG. 2 is a left side view thereof the right side view thereof is a mirror image of this;
FIG. 3 is a front view thereof;
FIG. 4 is a rear side view thereof;
FIG. 5 is a top plan view thereof; and,
FIG. 6 is a bottom view thereof.

The article is a Universal Serial Bus Floppy Disk Drive.

1 Claim, 4 Drawing Sheets



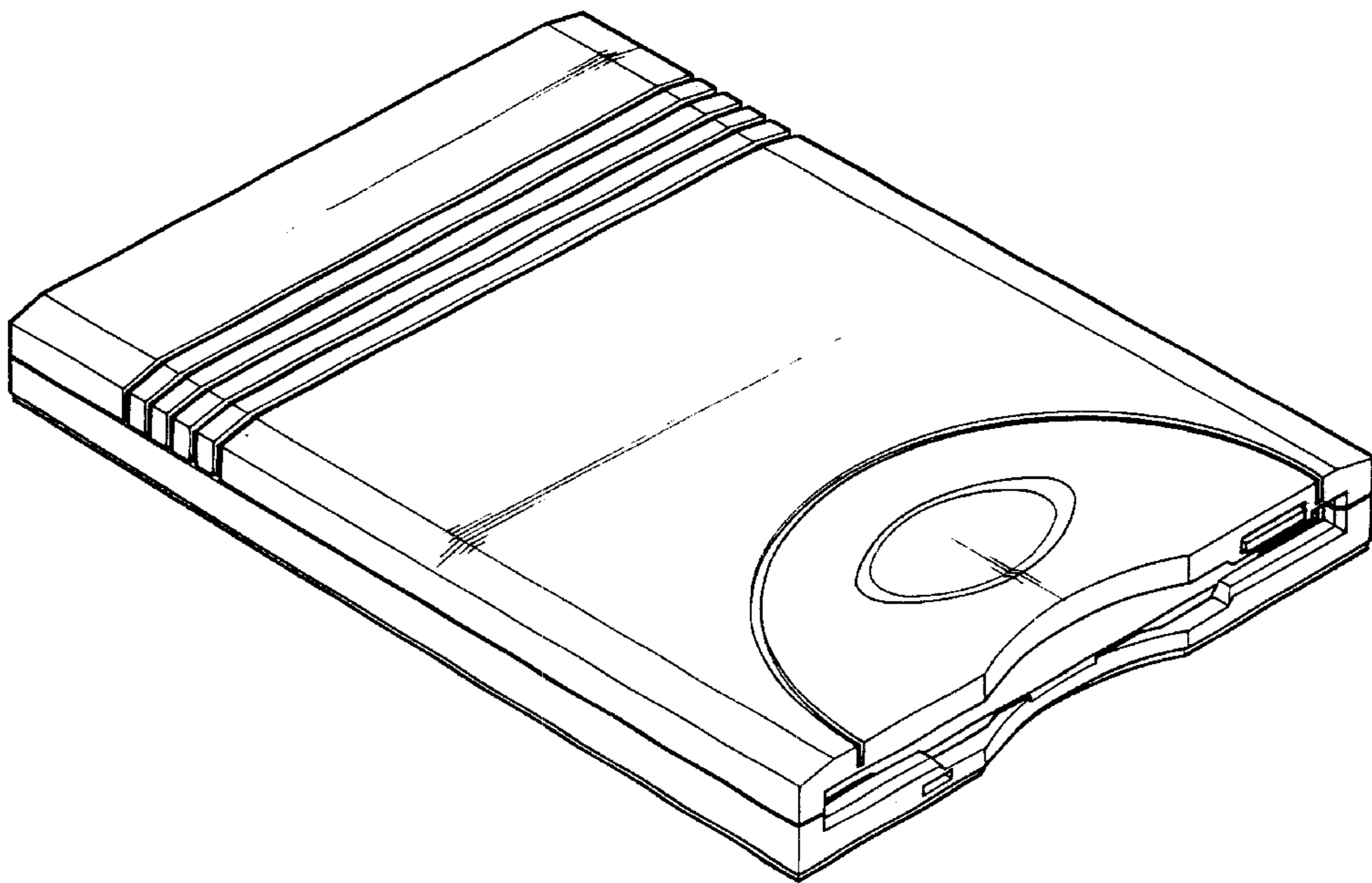


FIG.1

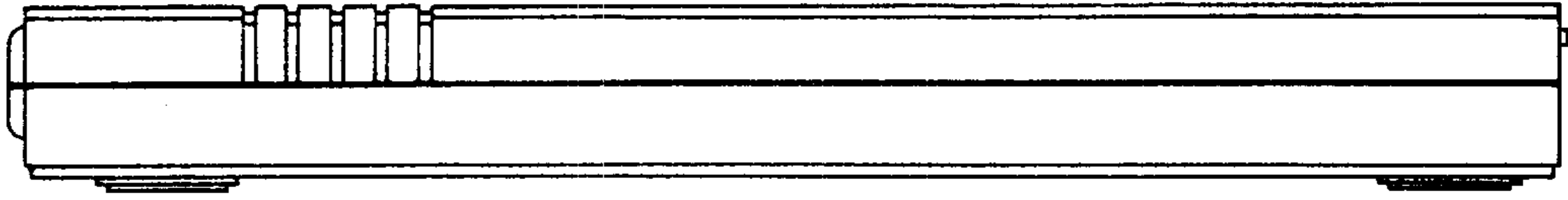


FIG. 2

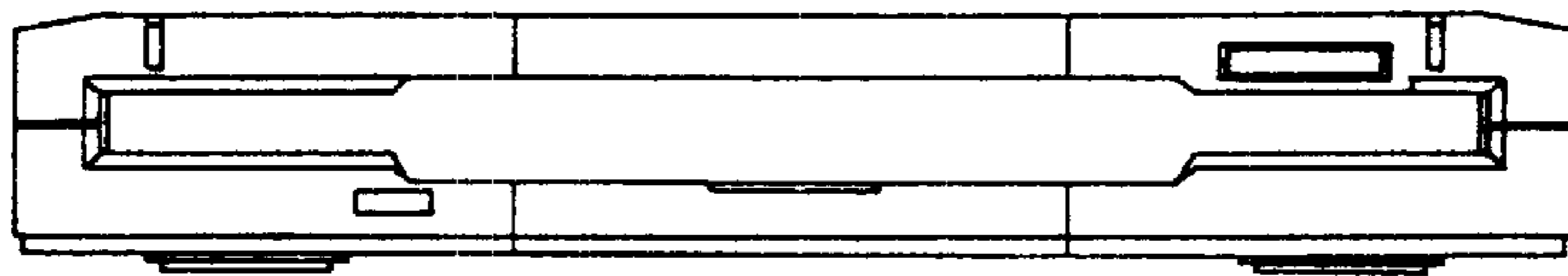


FIG. 3

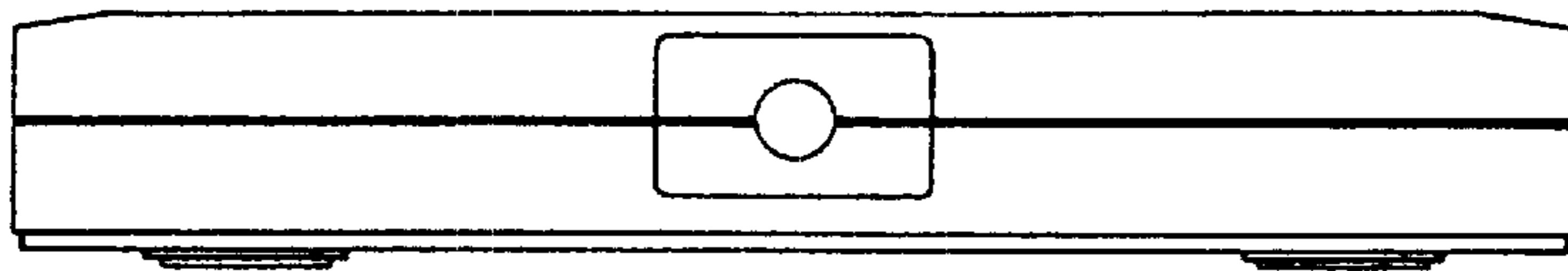


FIG. 4

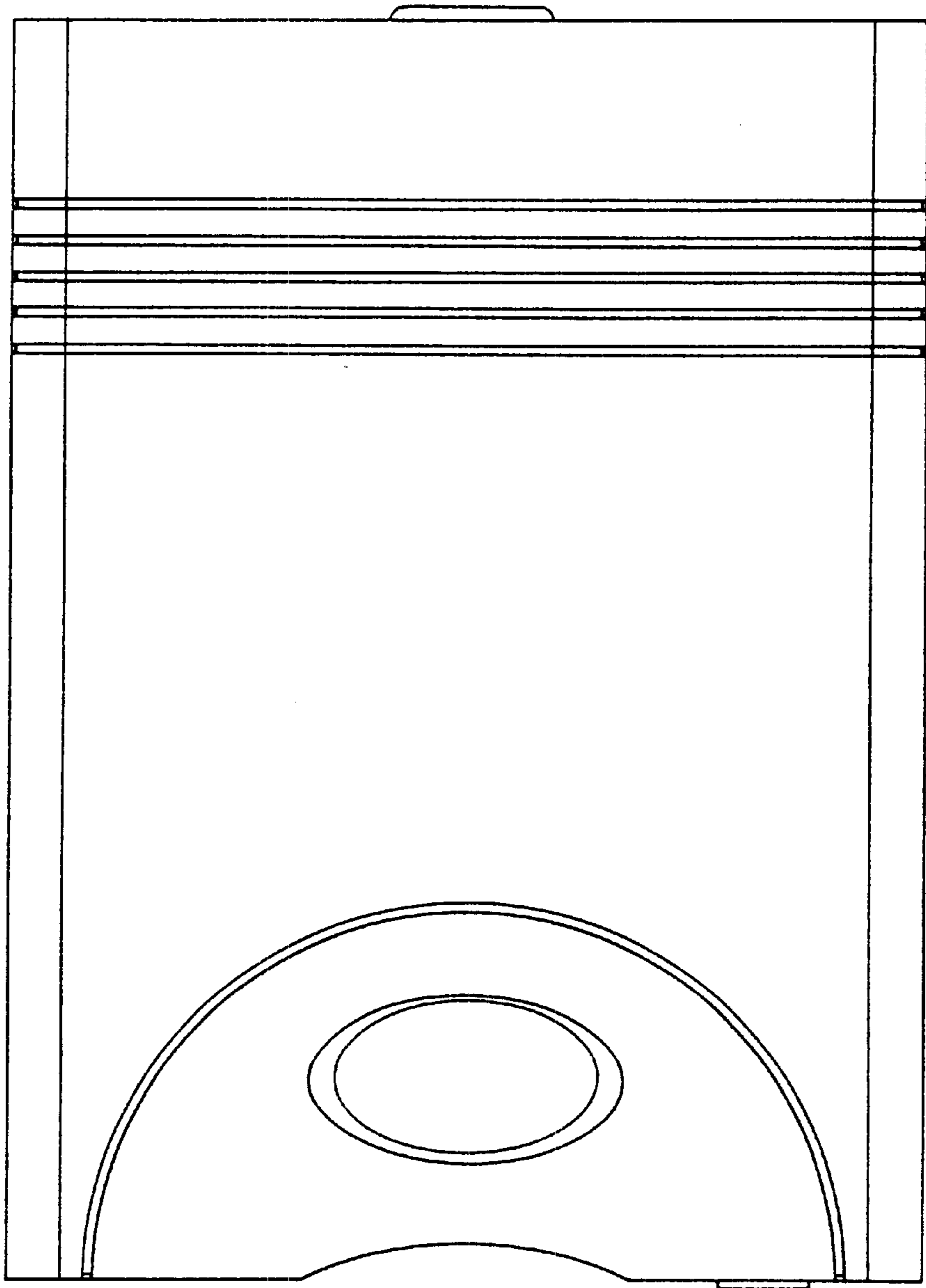


FIG. 5

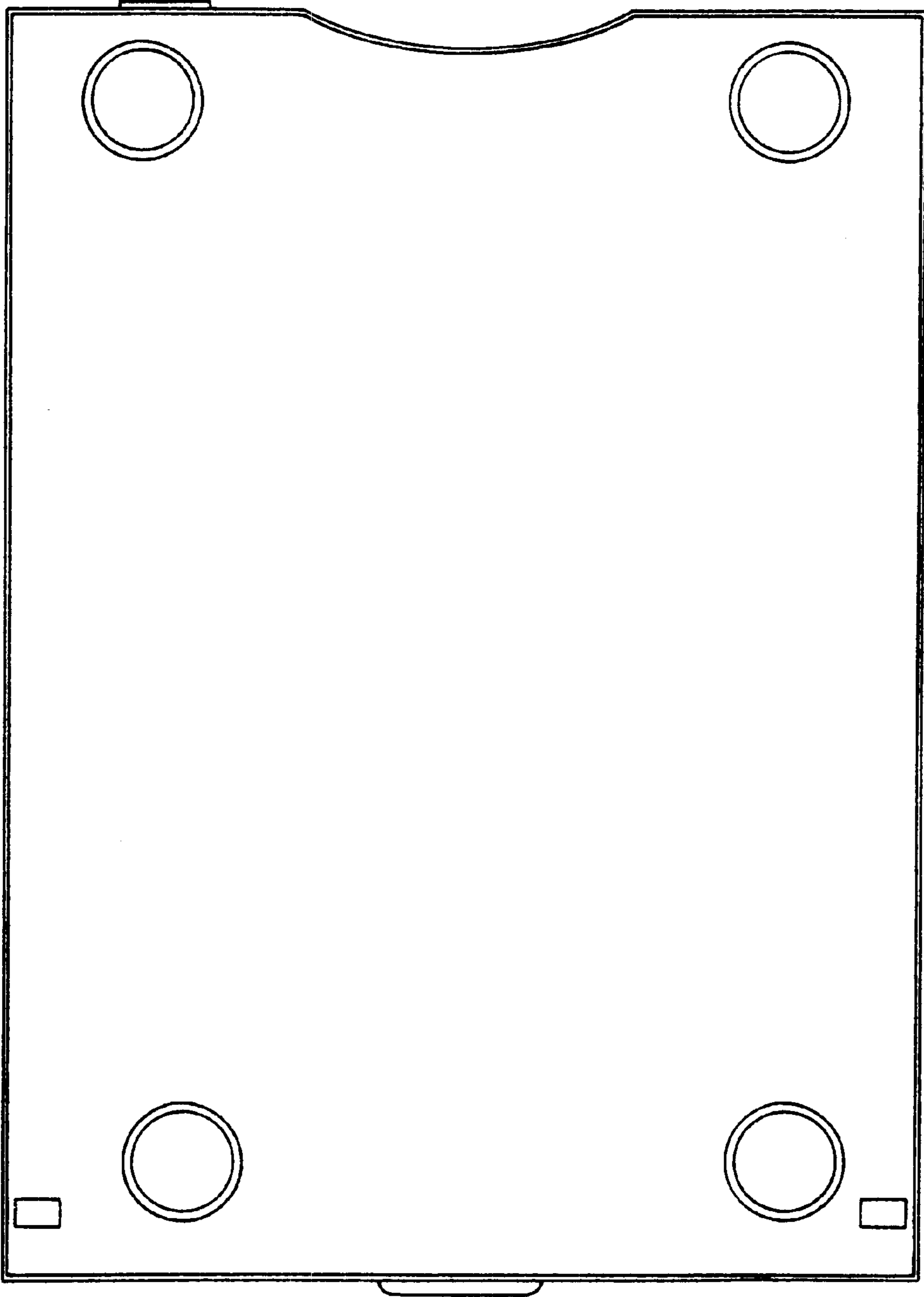


FIG. 6

UNITED STATES PATENT AND TRADEMARK OFFICE
CERTIFICATE OF CORRECTION

PATENT NO. : Des. 462,073 S
DATED : August 27, 2002
INVENTOR(S) : Duk-Chea Yoon

Page 1 of 1

It is certified that error appears in the above-identified patent and that said Letters Patent is hereby corrected as shown below:

Title page,

DESCRIPTION,

Lines 2-3, "FIG. 2 is a left side view thereof the right side view thereof is a mirror image of this;" should read -- FIG. 2 is a left side view thereof;

(the right side view thereof is a mirror image of this) --.

Signed and Sealed this

Fourth Day of February, 2003

A handwritten signature in black ink, appearing to read "James E. Rogan", with a horizontal line drawn underneath it.

JAMES E. ROGAN

Director of the United States Patent and Trademark Office