

US00D462072S

(12) **United States Design Patent**
Kunz et al.

(10) **Patent No.:** **US D462,072 S**

(45) **Date of Patent:** **** Aug. 27, 2002**

(54) **RADIO FREQUENCY RADIATION SHIELD
UNIT FOR WIRELESS TELEPHONES**

(76) Inventors: **Kim R. Kunz**, 6645 Morro Rd.;
Frederick J. Wood, 5950 Entrada Ave.,
both of Atascadero, CA (US) 93422

(**) Term: **14 Years**

(21) Appl. No.: **29/142,718**

(22) Filed: **May 30, 2001**

(51) **LOC (7) Cl.** **14-03**

(52) **U.S. Cl.** **D14/250**

(58) **Field of Search** D14/137, 250,
D14/138, 218, 147-148, 247-248, 144,
142, 240, 341-347; 379/433.01-433.13,
419, 434, 447, 455, 428.01-428.04, 420.01-420.04,
440, 449-452; 455/550-575, 90; D6/610;
D3/218; 224/181, 929, 930; 343/702; 206/320

(56) **References Cited**

U.S. PATENT DOCUMENTS

5,338,896	A	*	8/1994	Danforth	343/702	X
5,367,309	A	*	11/1994	Tashjian	343/702	
D369,607	S	*	5/1996	MacGilvary et al.	D14/250	
5,550,552	A	*	8/1996	Oxley	343/702	
5,613,221	A	*	3/1997	Hunt	455/550	
5,657,386	A	*	8/1997	Schwanke	379/433.13	
5,819,162	A	*	10/1998	Spann et al.	455/90	
5,854,970	A	*	12/1998	Kivela	455/90	

D405,800	S	*	2/1999	Brown	D14/250	
D408,826	S	*	4/1999	Gargas et al.	D14/250	
D413,606	S	*	9/1999	Gargas et al.	D14/250	
6,034,638	A	*	3/2000	Thiel et al.	343/702	
D425,297	S	*	5/2000	Joseph et al.	D3/218	
6,075,977	A	*	6/2000	Bayrami	455/90	
6,082,535	A	*	7/2000	Mitchell	206/320	
6,273,252	B1	*	8/2001	Mitchell	206/320	

* cited by examiner

Primary Examiner—Jeffrey Asch

(74) *Attorney, Agent, or Firm*—Charles C. Logan, II

(57) **CLAIM**

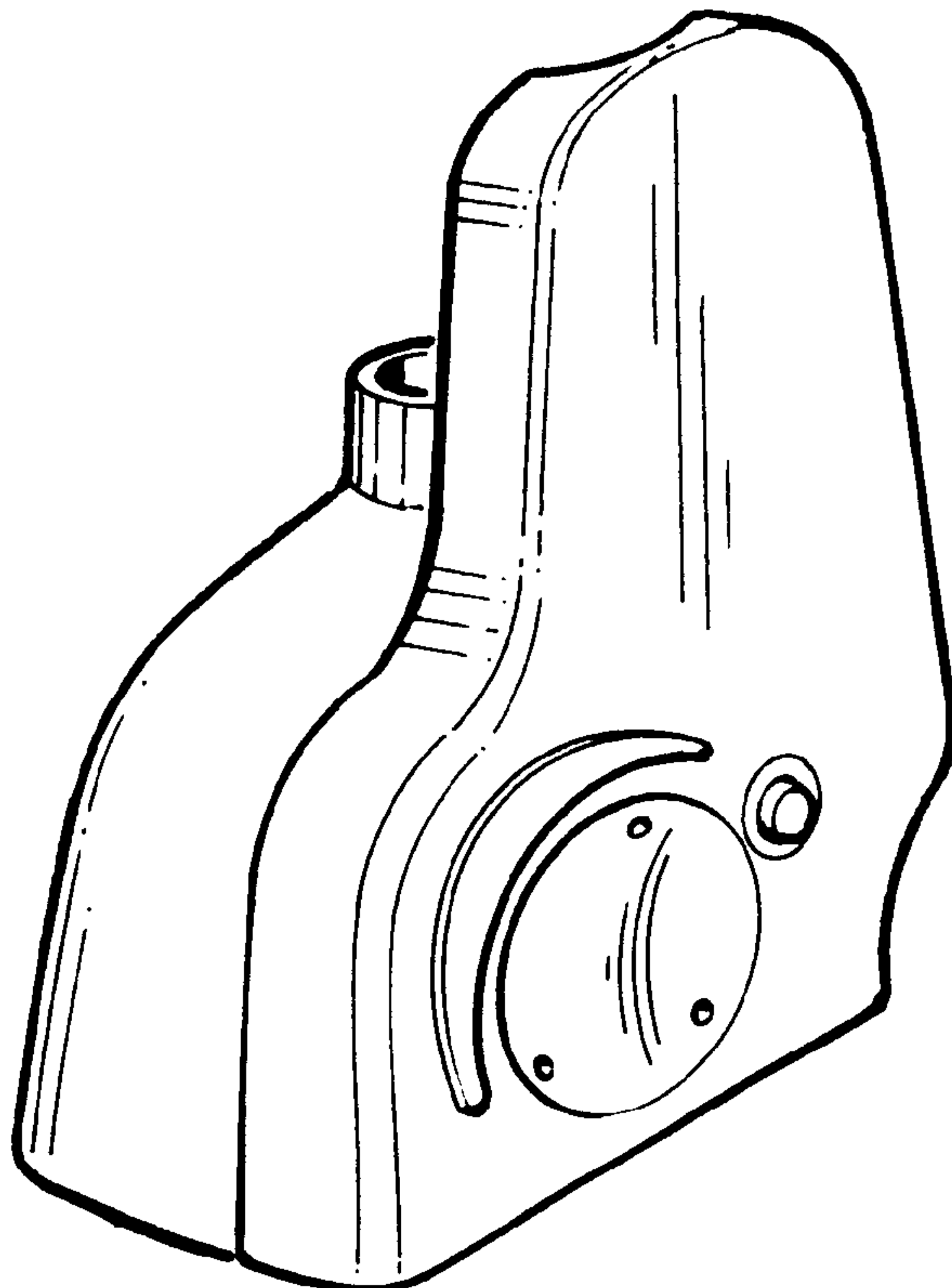
The ornamental design for a radio frequency radiation shield unit for wireless telephones, as shown and described.

DESCRIPTION

FIG. 1 is a front perspective view of the radio frequency radiation shield unit for wireless telephones;
FIG. 2 is a top plan view thereof;
FIG. 3 is a right side elevation view thereof;
FIG. 4 is a rear elevation view thereof;
FIG. 5 is a bottom plan view thereof;
FIG. 6 is a left side elevation view thereof; and,
FIG. 7 is a front elevation thereof with a cellular telephone shown in phantom lines.

The phantom line showings of FIG. 7 are for illustrative purposes only and form no part of the claimed design.

1 Claim, 2 Drawing Sheets



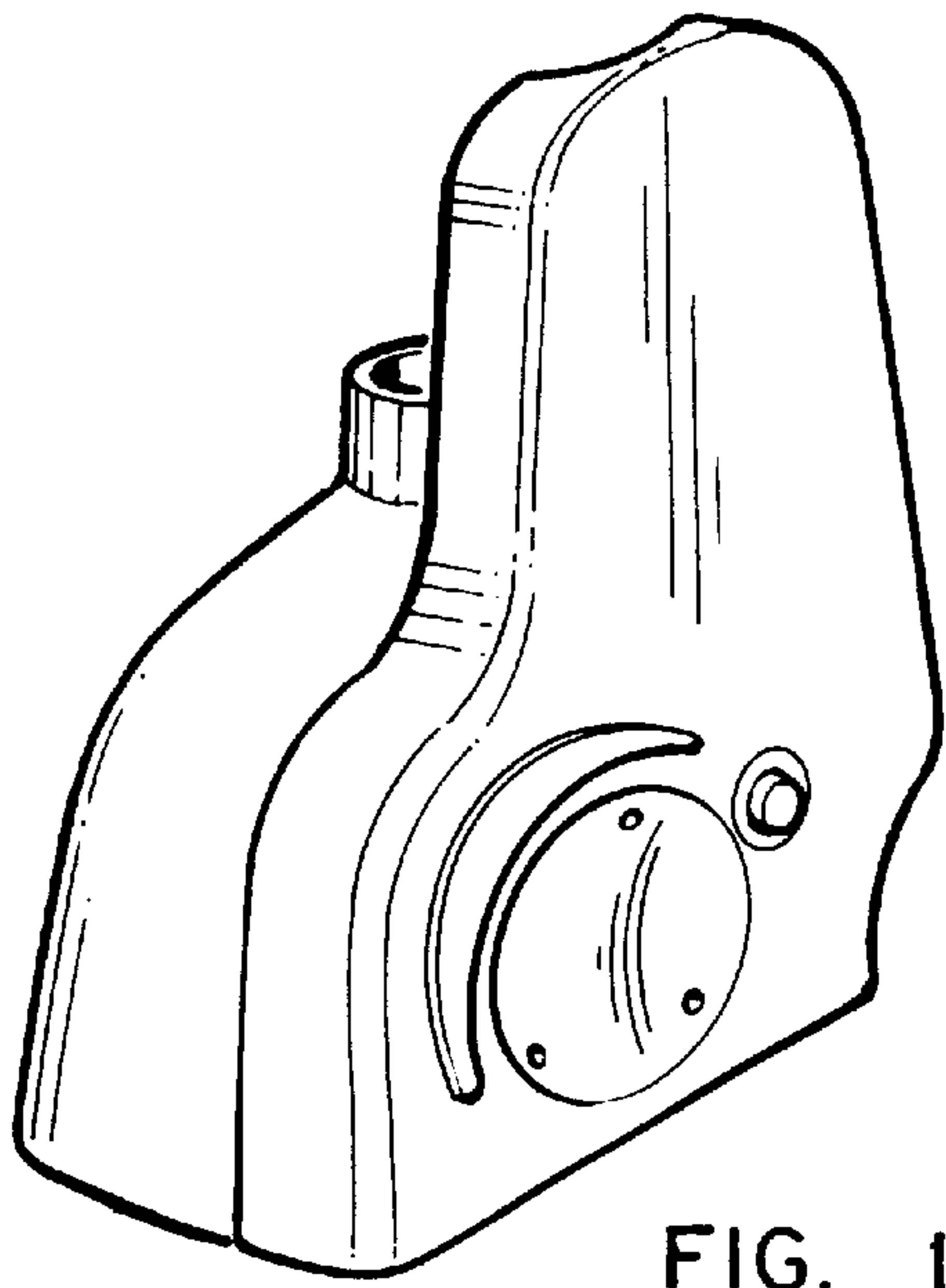


FIG. 1

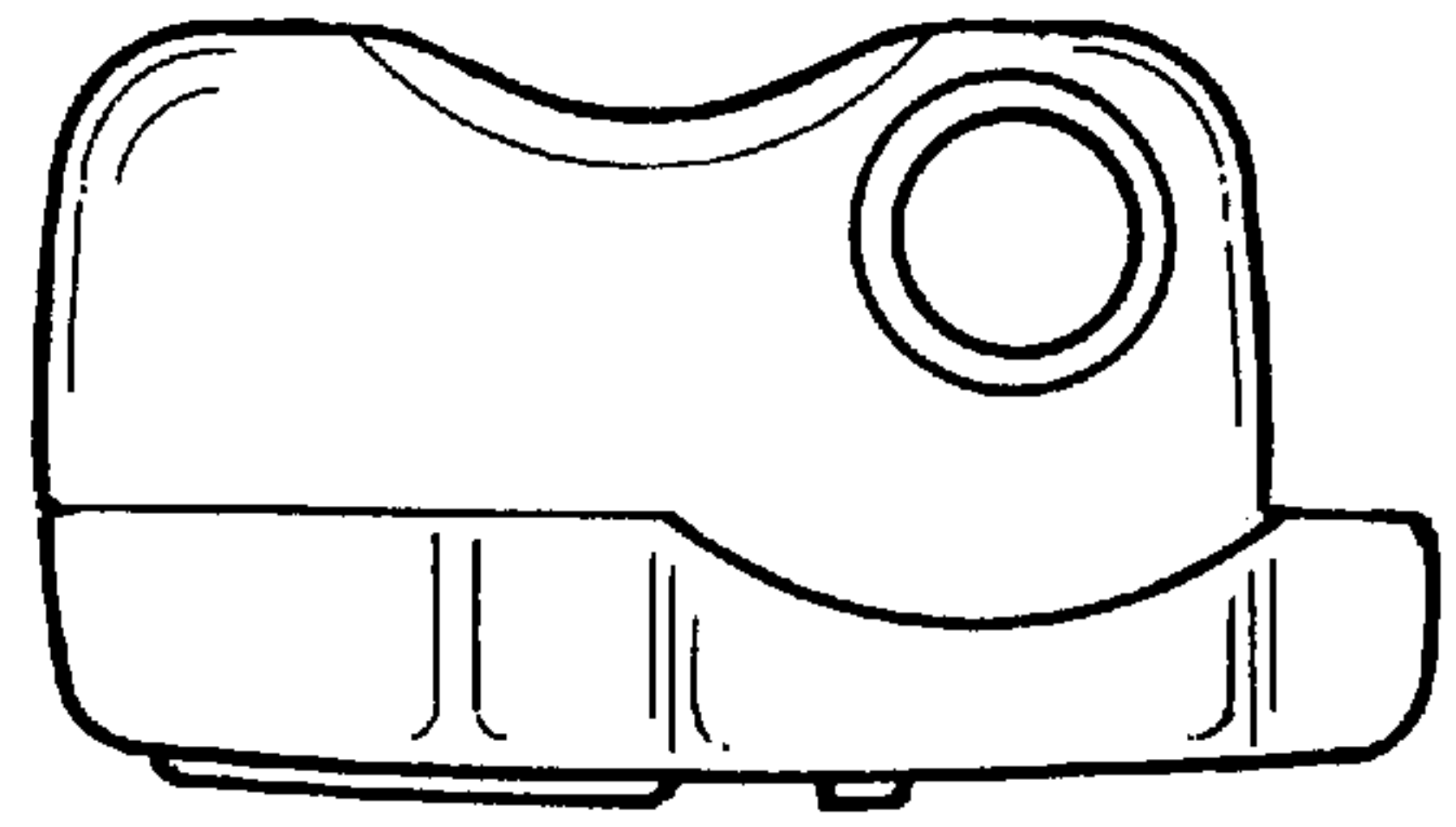


FIG. 2

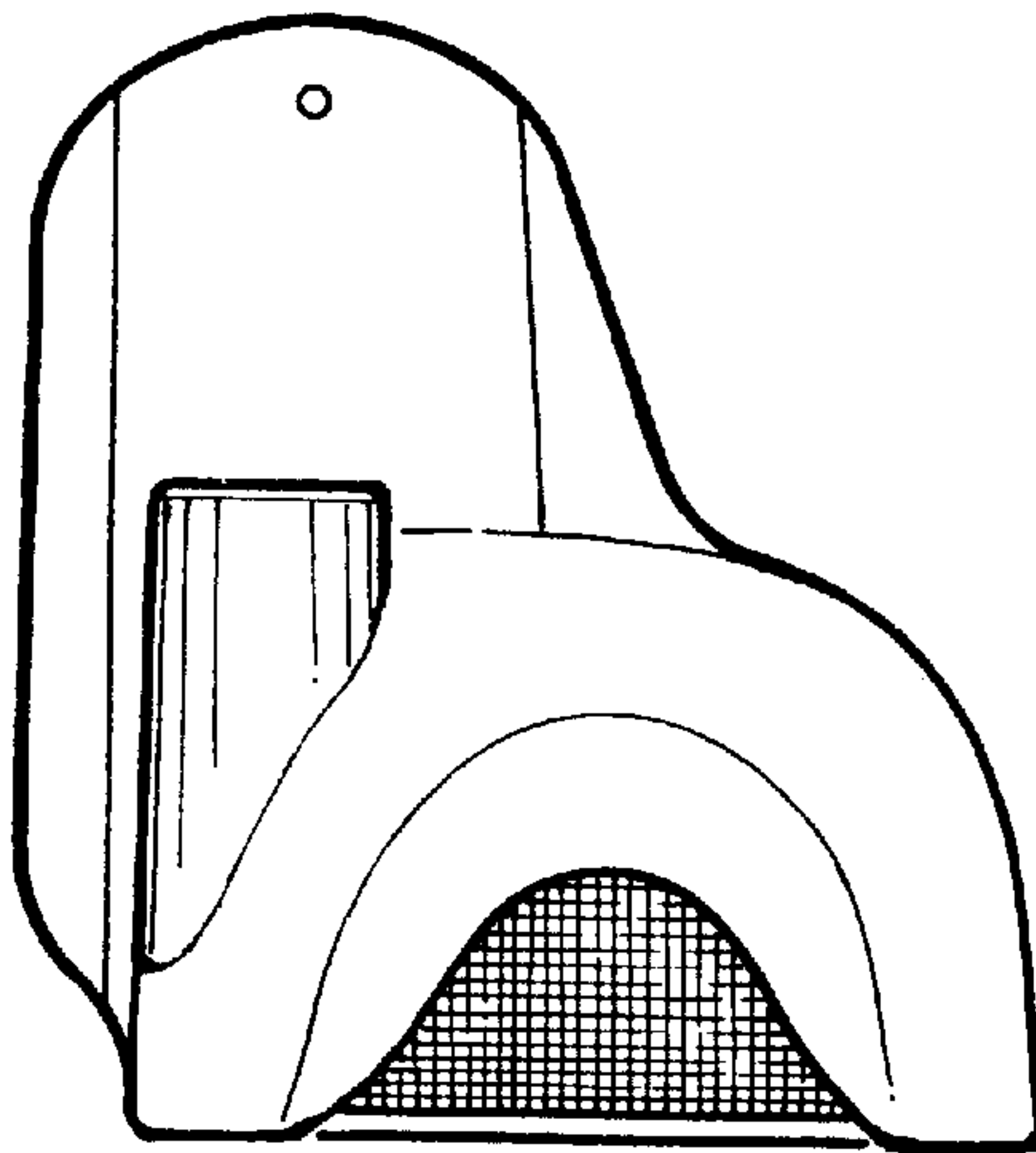


FIG. 4

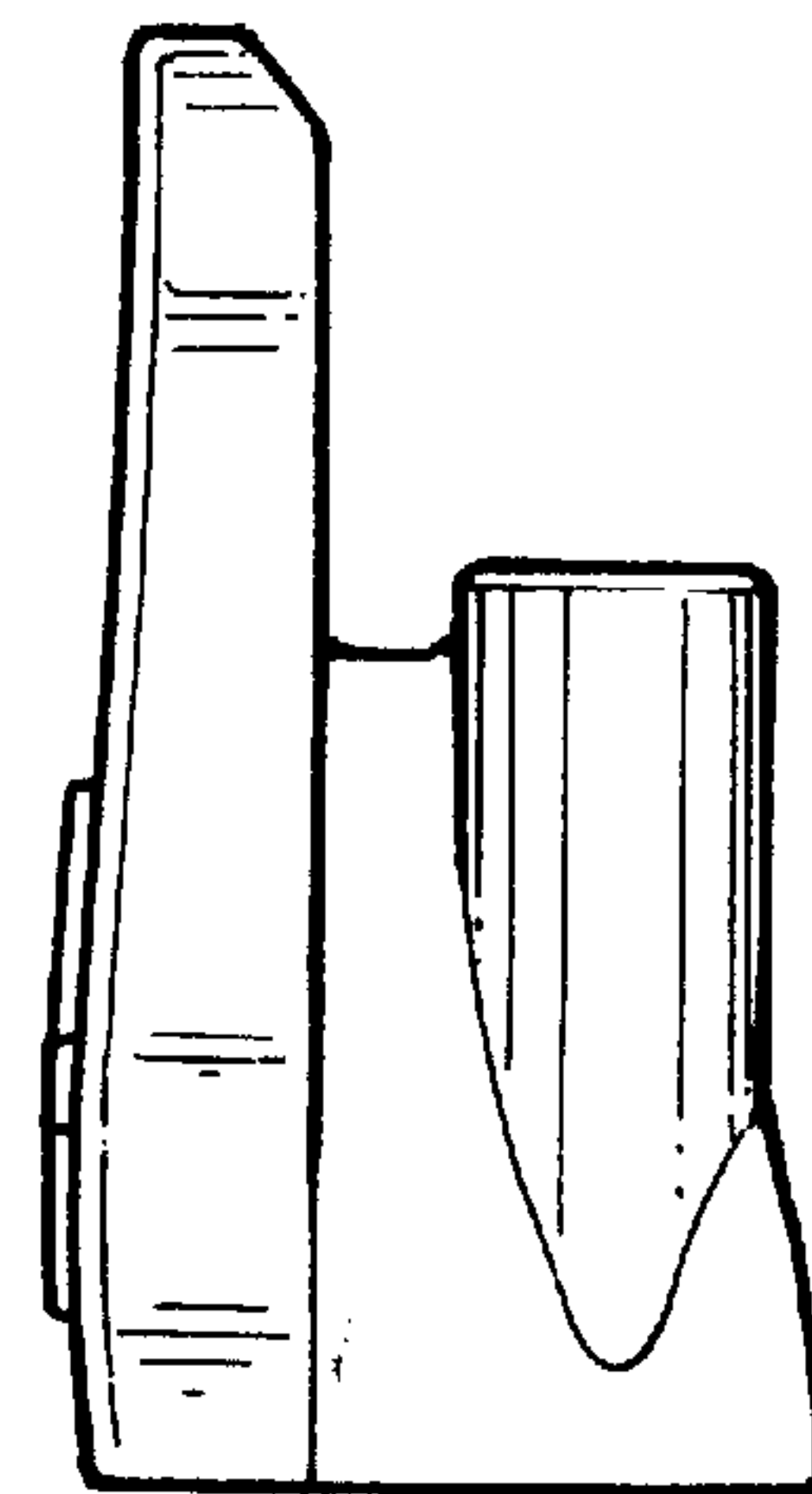


FIG. 3

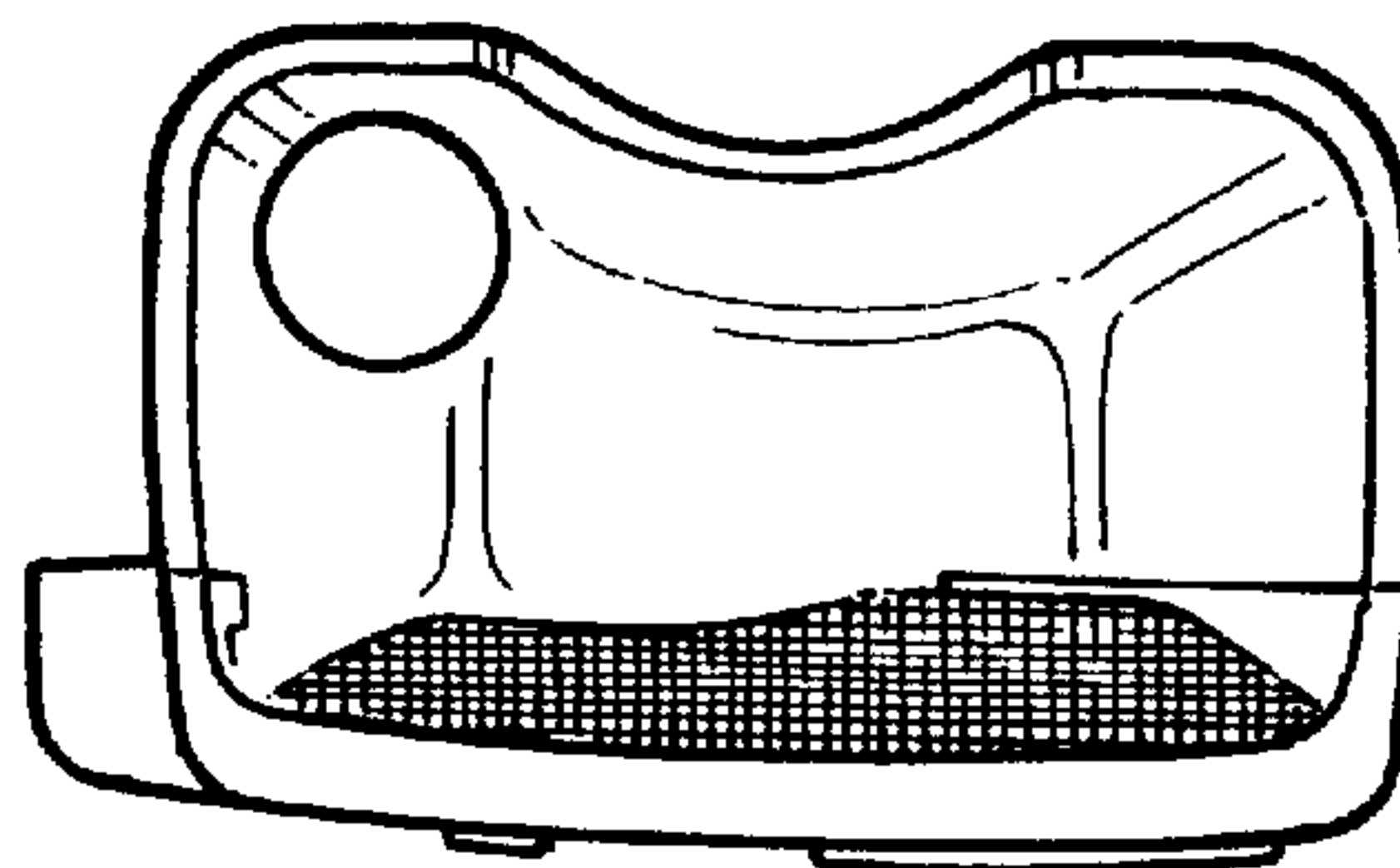


FIG. 5

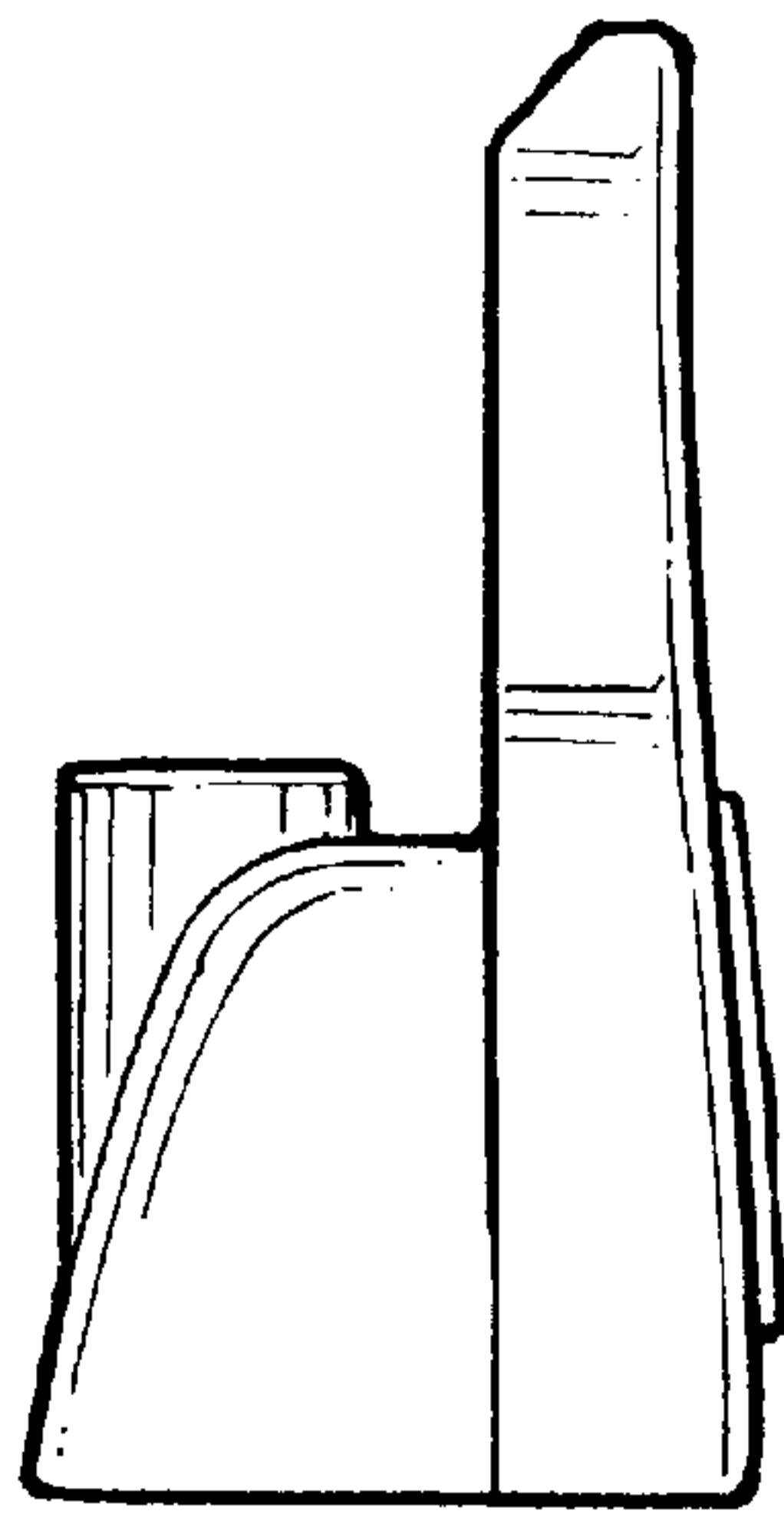


FIG. 6

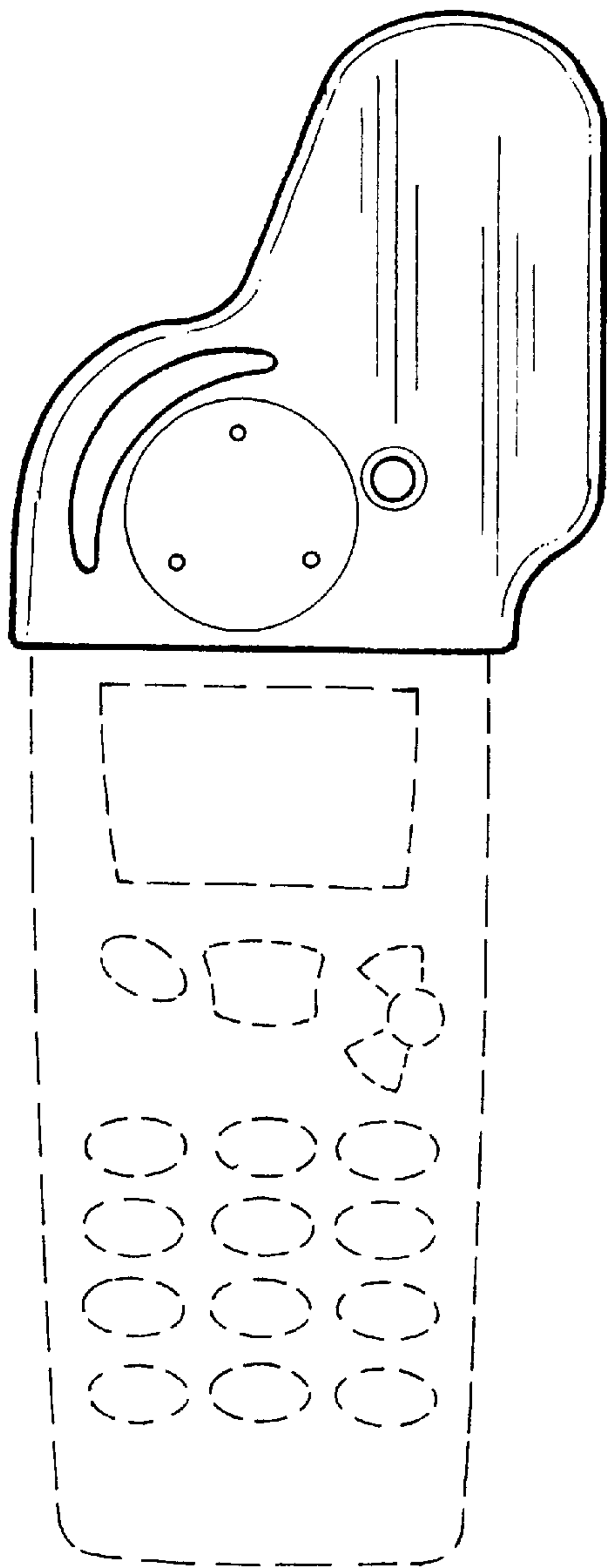


FIG. 7