



US00D462071S

(12) **United States Design Patent**
Ruohonen

(10) **Patent No.:** **US D462,071 S**

(45) **Date of Patent:** **** Aug. 27, 2002**

(54) **BACK COVER FOR A HANDSET**

GB 2096141 2/2001

(75) Inventor: **Matti Juhani Ruohonen**, Turku (FI)

OTHER PUBLICATIONS

(73) Assignee: **Nokia Mobile Phones Ltd.**, Espoo (FI)

U.S. Design patent application 29/146,571, assigned to Nokia Mobile Phones Limited, filed Aug. 10, 2001 entitled Front Cover for a Handset.

(**) Term: **14 Years**

U.S. Design patent application 29/146,570, assigned to Nokia Mobile Phones Limited, filed Aug. 10, 2001 entitled Keypad for a Handset.

(21) Appl. No.: **29/146,574**

U.S. Design patent application 29/146,575, assigned to Nokia Mobile Phones Limited, filed Aug. 10, 2001 entitled Display Area and Key Array for a Handset.

(22) Filed: **Aug. 10, 2001**

U.S. Design patent application 29/146,573, assigned to Nokia Mobile Phones Limited, filed Aug. 10, 2001 entitled Key Array for a Handset.

(30) **Foreign Application Priority Data**

Mar. 2, 2001 (FI) M20010143

U.S. Design patent application 29/146,572, assigned to Nokia Moile Phones Limited, filed Aug. 10, 2001 entitled Key Matrix for a Handset.

(51) **LOC (7) Cl.** **14-03**

(52) **U.S. Cl.** **D14/248; D13/103**

(58) **Field of Search** D14/137, 138, D14/218, 147-148, 247-248, 144, 341-347; 379/433.01-433.13, 419, 434, 428.01-428.04, 420.01-420.04, 440; 455/550-575, 90; D13/103, 168, 119; D3/218

U.S. Design patent application 29/146,569, which will be assigned to Nokia Mobile Phones Limited, filed Aug. 10, 2001 entitled Handset, Express Mail Label No. EL664599889US.

(56) **References Cited**

* cited by examiner

U.S. PATENT DOCUMENTS

Primary Examiner—Jeffrey Asch

D358,128 S	*	5/1995	Berry et al.	D13/103
D359,267 S	*	6/1995	Berry et al.	D13/103
D375,739 S	*	11/1996	Boykiw	D14/147
D378,366 S	*	3/1997	Nagele et al.	D13/103
D383,433 S	*	9/1997	Richards et al.	D13/103
D395,277 S	*	6/1998	Finke-Anlauff	D13/103
D405,753 S	*	2/1999	Nuovo et al.	D13/103
D407,368 S	*	3/1999	Mason	D13/119
D410,892 S	*	6/1999	Prior	D13/103

(74) *Attorney, Agent, or Firm*—Steven A. Shaw

(57) **CLAIM**

(List continued on next page.)

I claim the ornamental design for a back cover for a handset, as shown.

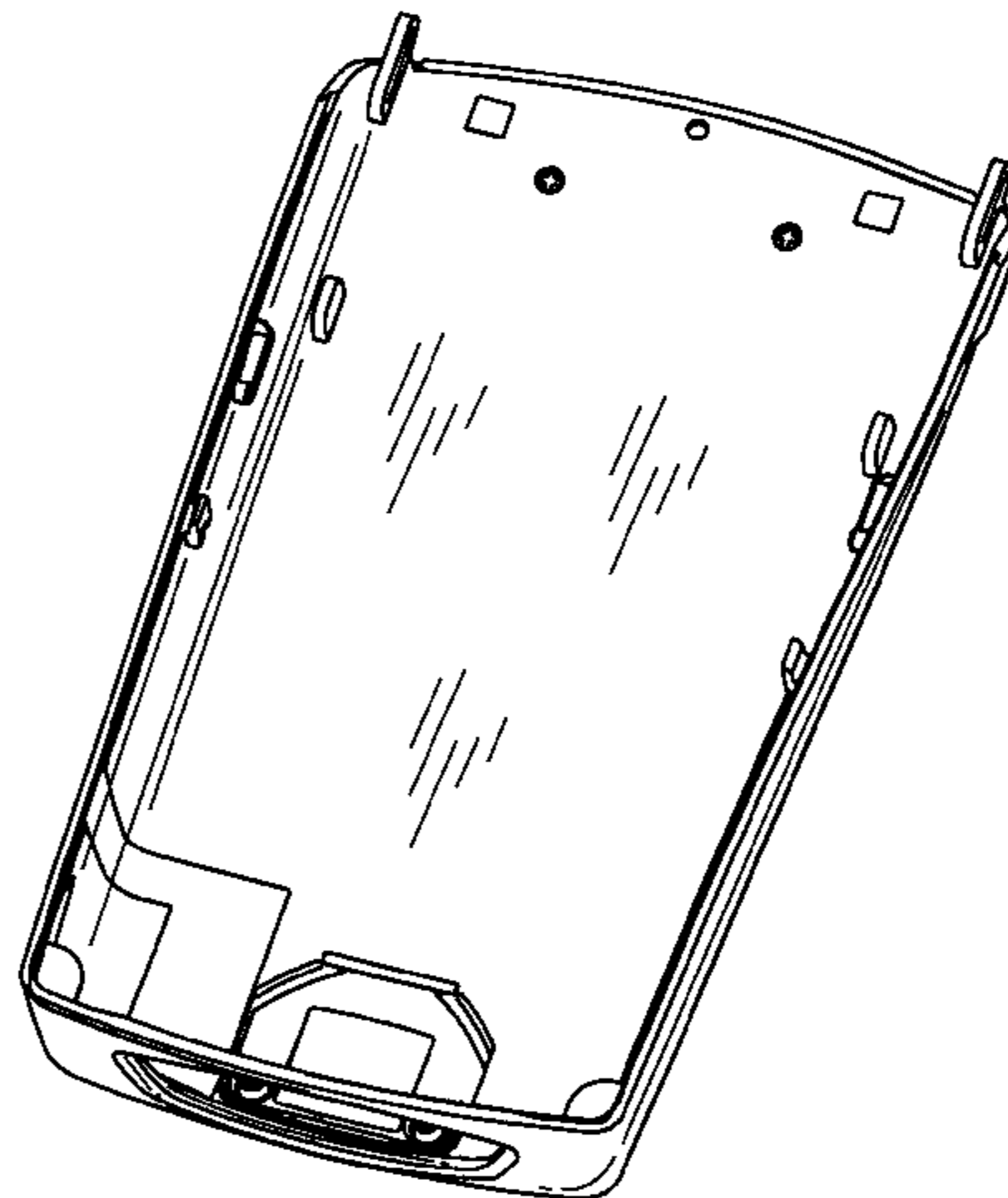
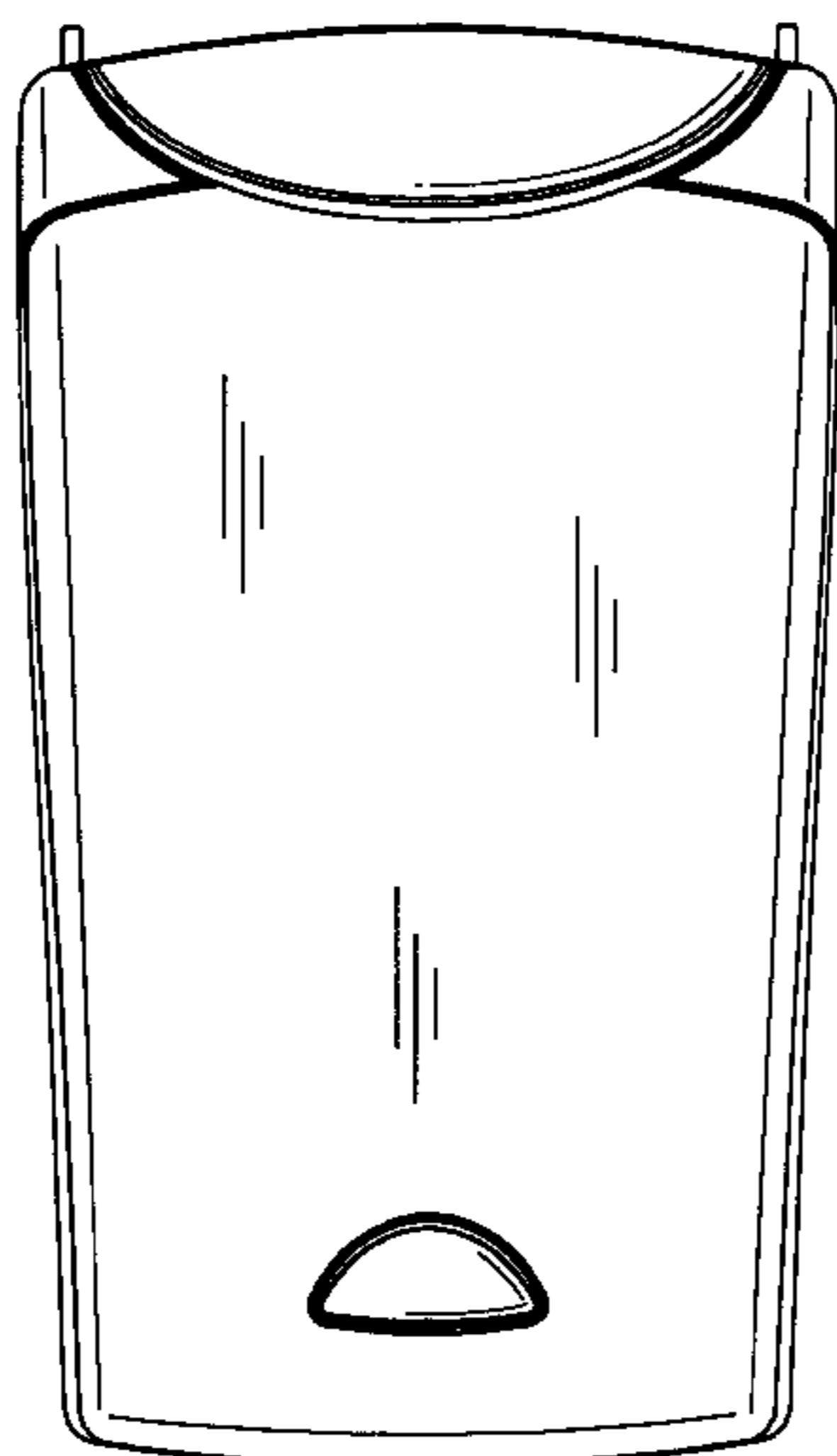
FOREIGN PATENT DOCUMENTS

DESCRIPTION

FI	22048	5/2001
FI	21992	6/2001
GB	2096136	2/2001
GB	2096137	2/2001
GB	2096138	2/2001
GB	2096140	2/2001

FIG. 1 is a top plan view of the back cover for a handset; FIG. 2 is a left side view thereof; FIG. 3 is a front view thereof; FIG. 4 is a right side view thereof; FIG. 5 is a bottom plan view thereof; FIG. 6 is a perspective front view thereof; FIG. 7 is a perspective rear view thereof; and, FIG. 8 is a rear view thereof.

1 Claim, 5 Drawing Sheets



US D462,071 S

Page 2

U.S. PATENT DOCUMENTS

D413,857 S	*	9/1999	Peterzell et al.	D13/103	D427,563 S	*	7/2000	Waldner	D13/103
D421,957 S	*	3/2000	Waldner	D13/103	D428,878 S		8/2000	Finkbeiner	
D422,282 S	*	4/2000	Curtis	D14/248	D429,491 S		8/2000	Finkbeiner	
D422,597 S		4/2000	Finkbeiner		D434,410 S	*	11/2000	Frye et al.	D14/248
D424,571 S		5/2000	Finkbeiner		D436,590 S		1/2001	Finkbeiner	
D425,057 S		5/2000	Finkbeiner		D446,766 S	*	8/2001	Han et al.	D13/103
D425,073 S		5/2000	Finkbeiner		D447,112 S	*	8/2001	Heong et al.	D13/103
D425,905 S		5/2000	Finkbeiner		D447,461 S	*	9/2001	Heong et al.	D13/103
D425,906 S		5/2000	Finkbeiner	D14/248	D447,729 S	*	9/2001	Song et al.	D13/103
					D451,913 S	*	12/2001	Vuolteenaho et al.	D14/248

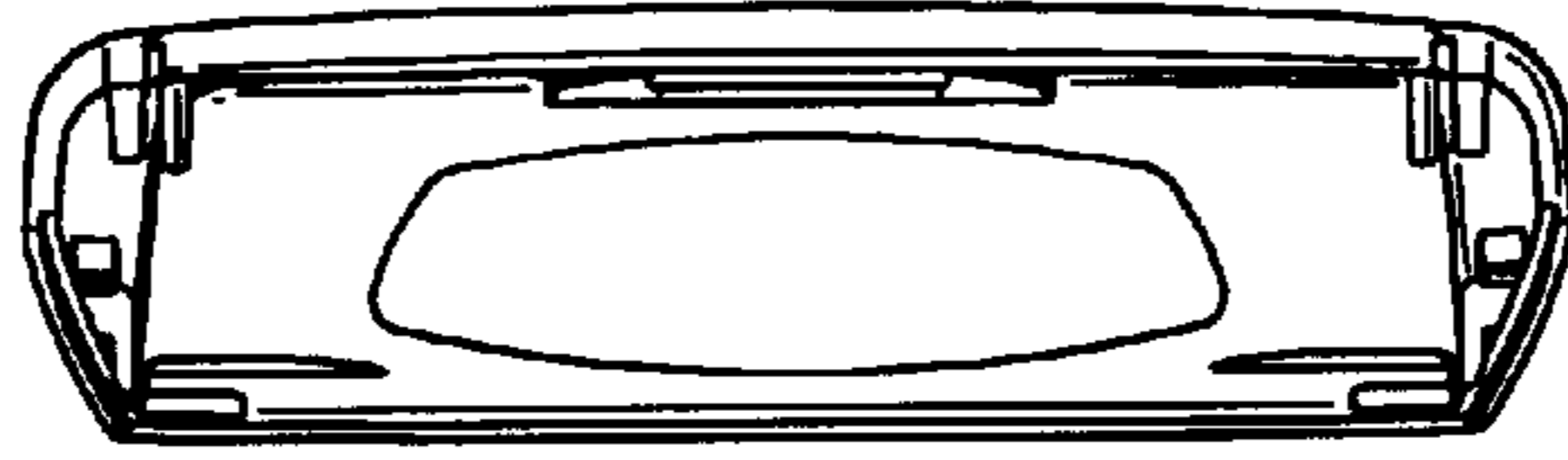


Fig. 1

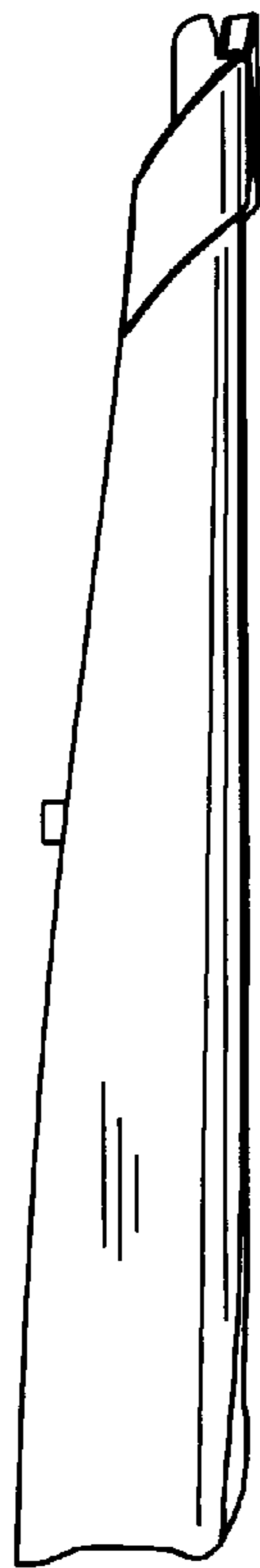


Fig. 2

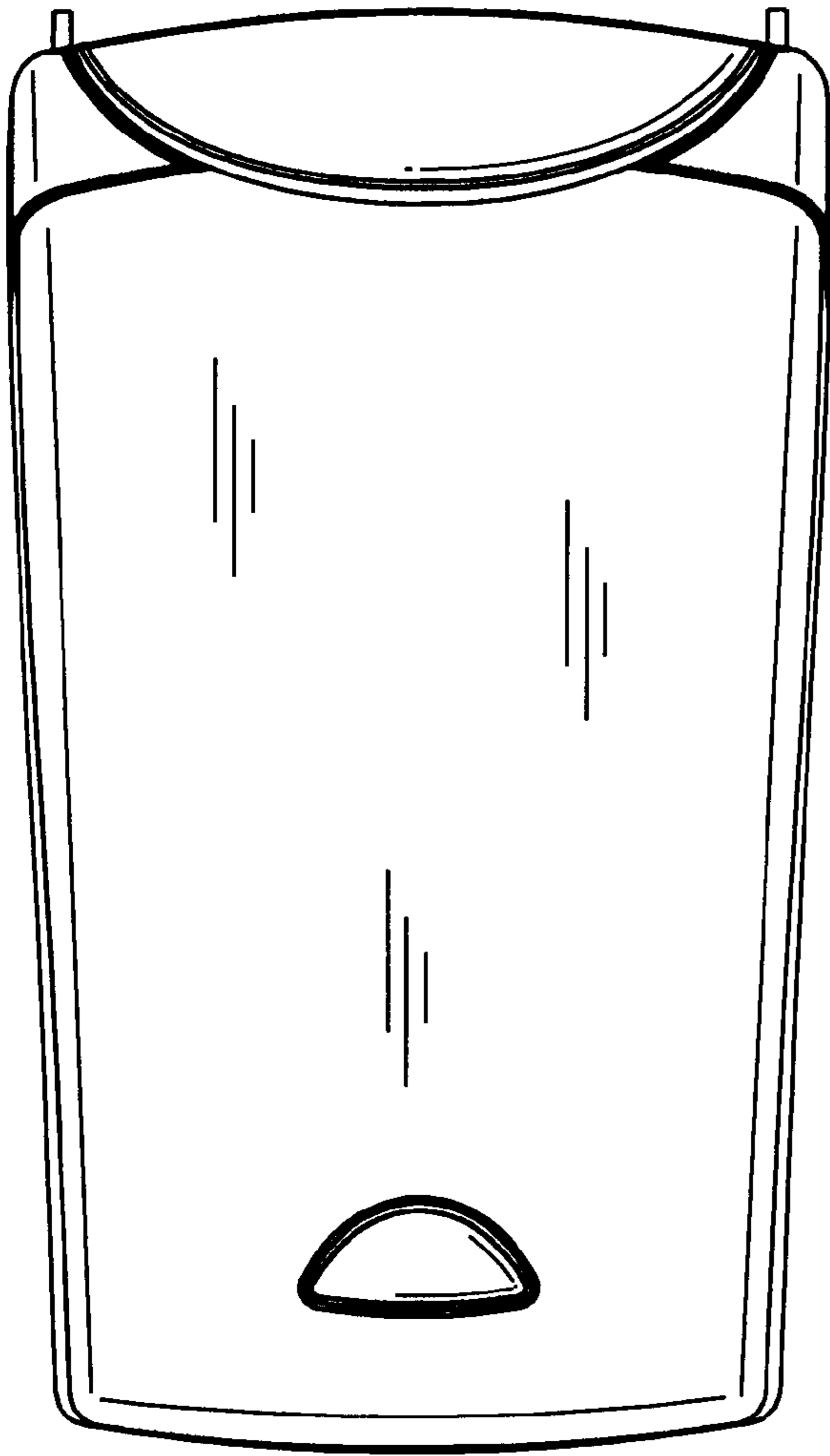


Fig. 3

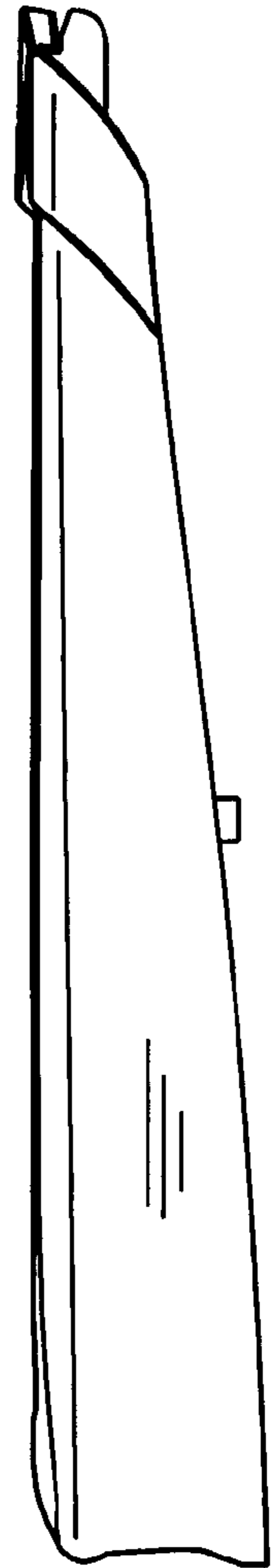


Fig. 4

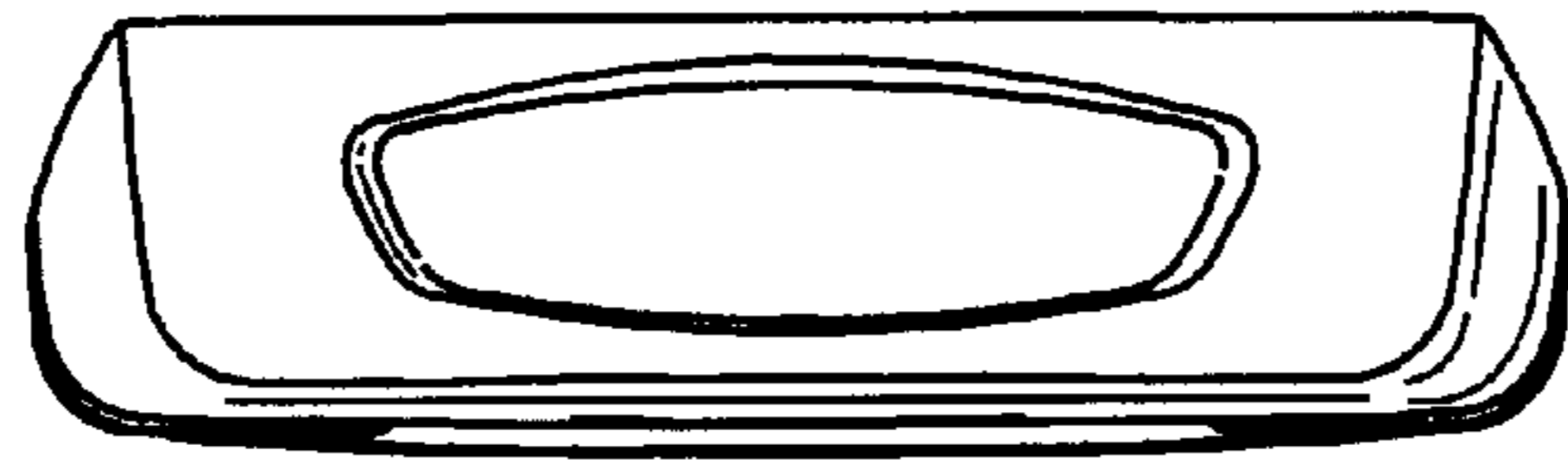


Fig. 5

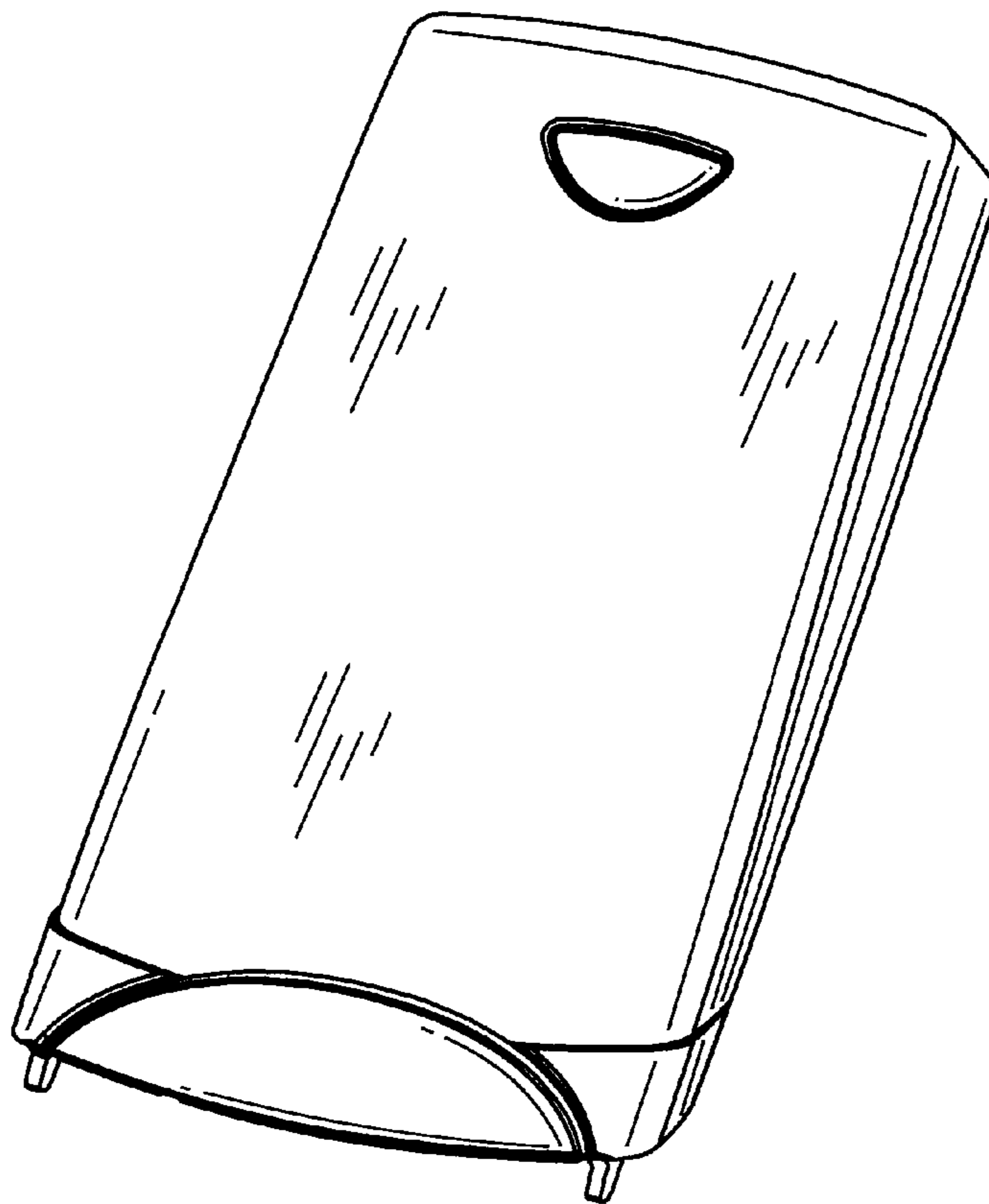


Fig. 6

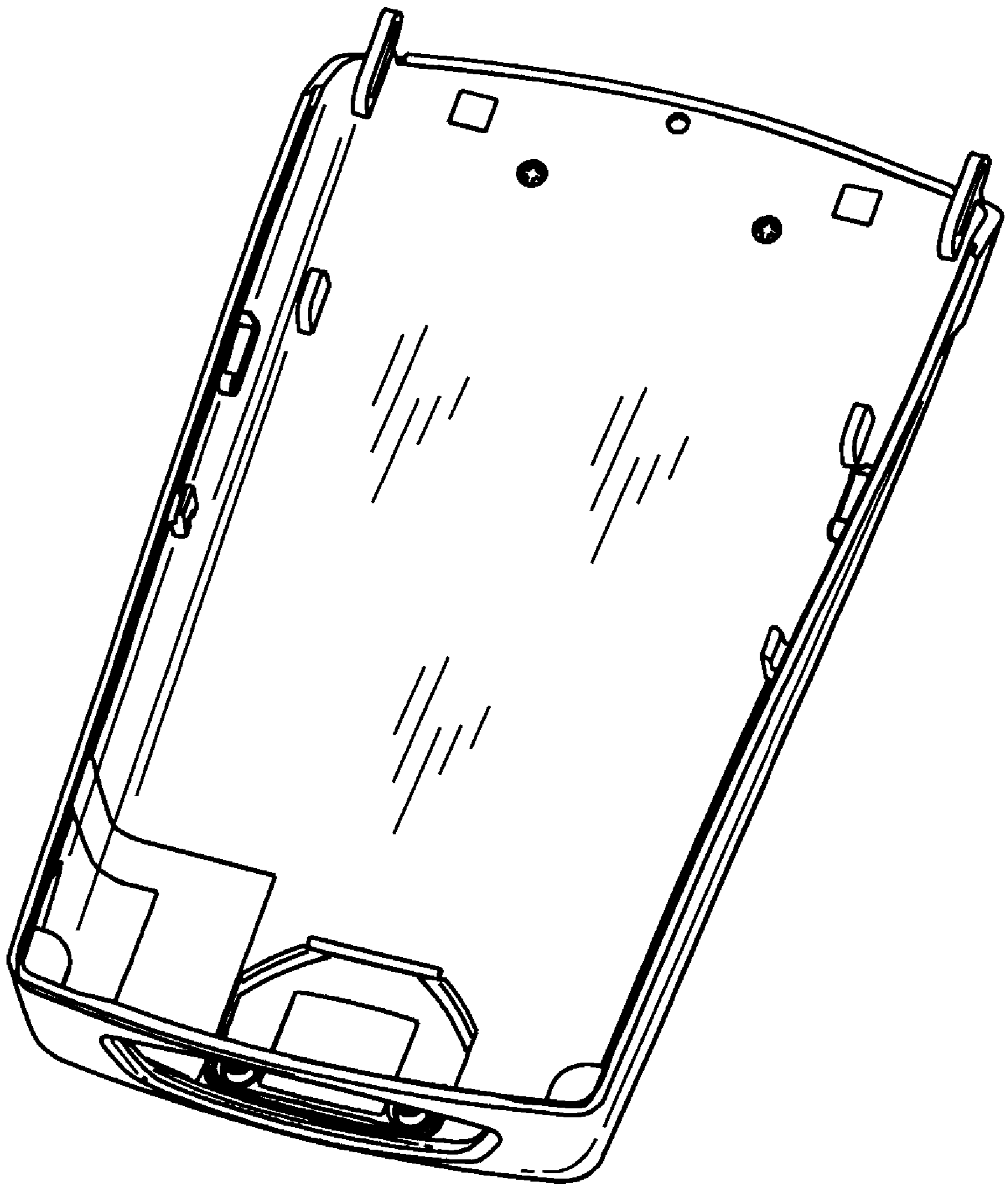


Fig. 7

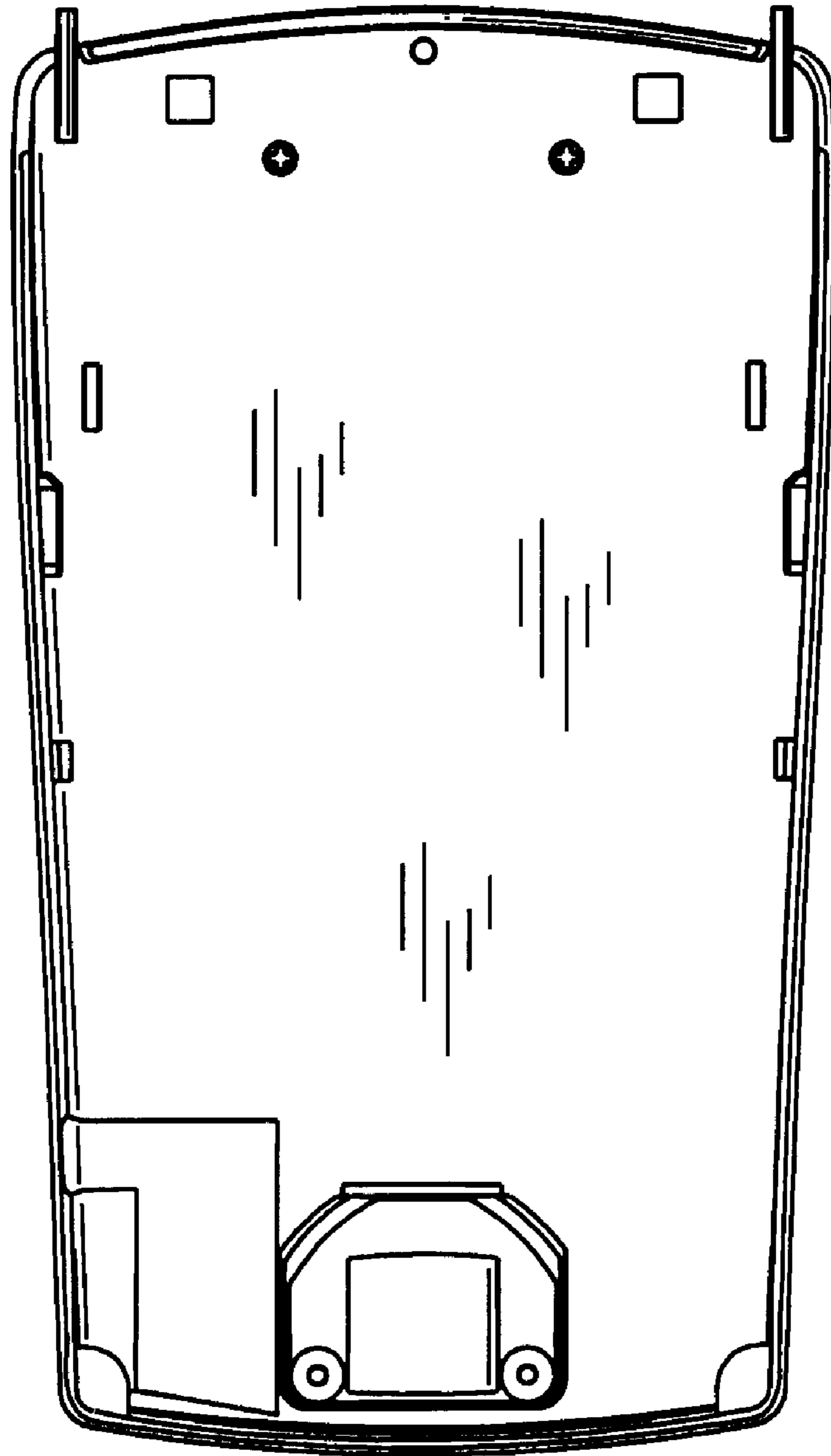


Fig. 8