



US00D462070S

(12) **United States Design Patent**
Wilson

(10) **Patent No.:** **US D462,070 S**

(45) **Date of Patent:** **** Aug. 27, 2002**

(54) **ROOF MOUNT ANTENNA**

(75) **Inventor:** **James W. Wilson**, Saint George, UT
(US)

(73) **Assignee:** **Wilson Electronics, Inc.**, Saint George,
UT (US)

(**) **Term:** **14 Years**

(21) **Appl. No.:** **29/152,148**

(22) **Filed:** **Dec. 14, 2001**

(51) **LOC (7) Cl.** **14-03**

(52) **U.S. Cl.** **D14/233**

(58) **Field of Search** D14/230-238;
343/711-717, 720, 872, 901, 785, 793,
805, 807, 900, 903

(56) **References Cited**

U.S. PATENT DOCUMENTS

2,203,986 A * 6/1940 Farwell 343/713
2,513,336 A * 7/1950 Lewis D14/233

D211,095 S * 5/1968 Weston D14/233
D231,535 S * 4/1974 Schuller D14/233
D442,577 S * 5/2001 Strand et al. D14/230

* cited by examiner

Primary Examiner—Louis S. Zarfes

Assistant Examiner—D Levy

(74) *Attorney, Agent, or Firm*—Leon D. Rosen

(57) **CLAIM**

The ornamental design for a roof mount antenna, as shown and described.

DESCRIPTION

FIG. 1 is a front elevational view of a roof mount antenna showing my new design, the broken line is for illustrative purposes and forms no part of the claimed design;

FIG. 2 is a top view thereof;

FIG. 3 is a bottom view thereof;

FIG. 4 is a rear elevational view thereof; and,

FIG. 5 is a right side elevation view thereof, with the left side being a mirror image thereof.

1 Claim, 2 Drawing Sheets

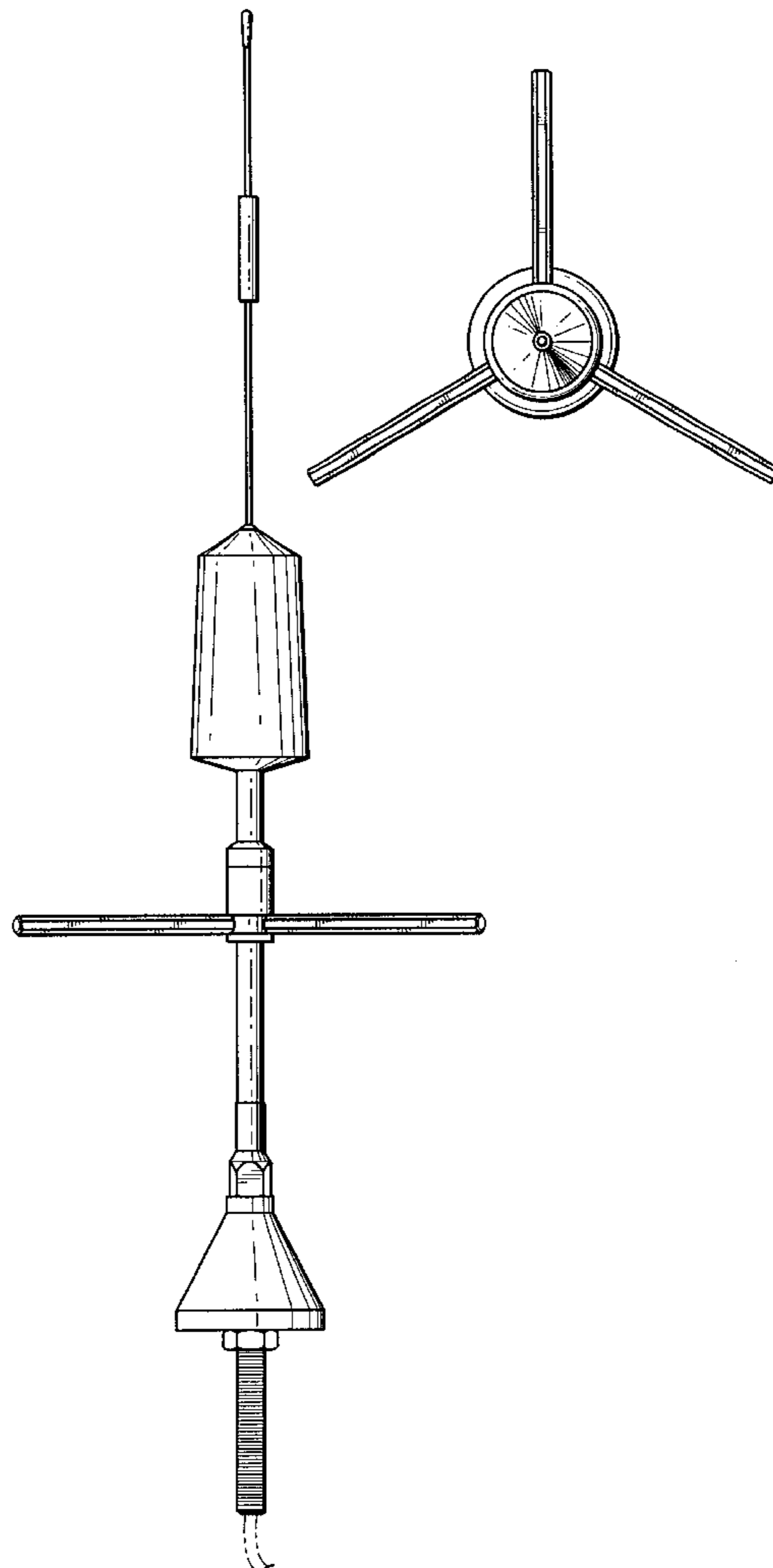


FIG. 1

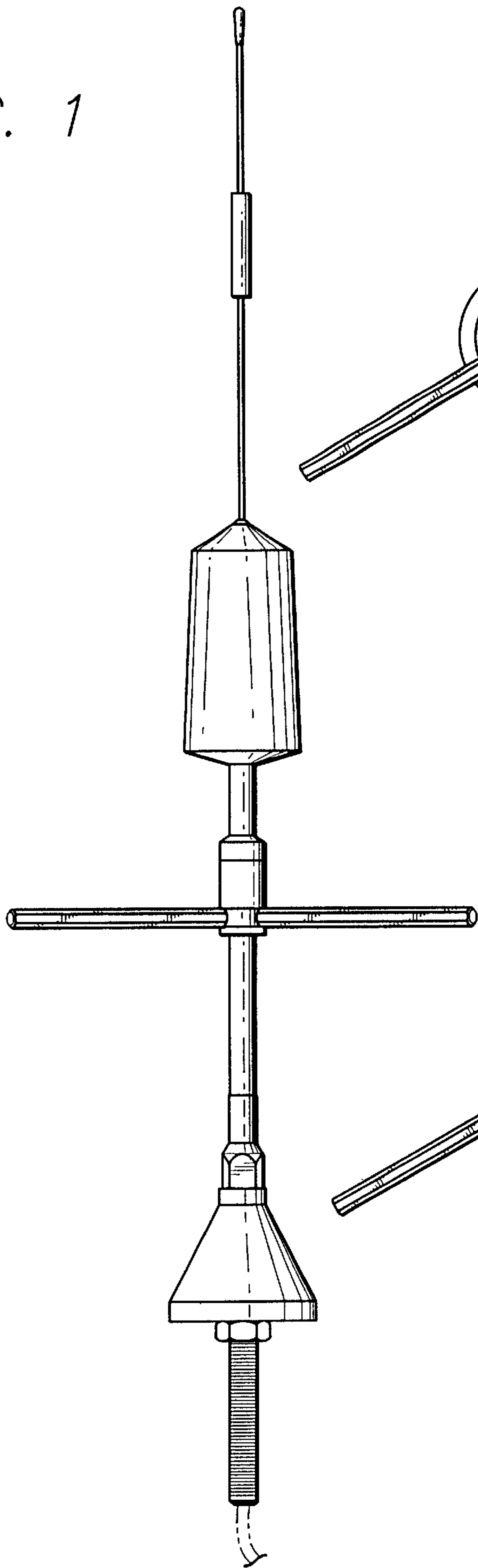


FIG. 2

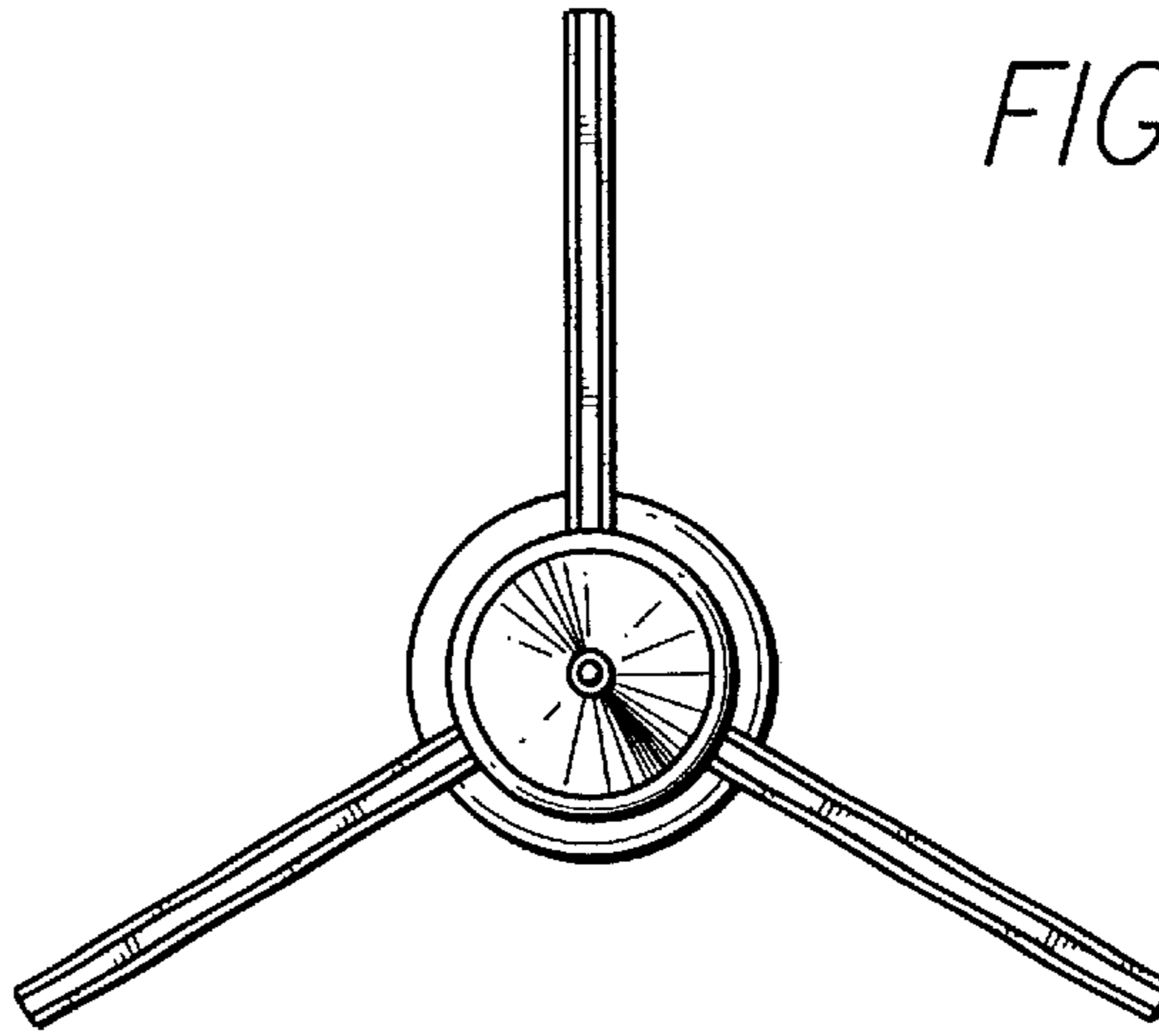


FIG. 3

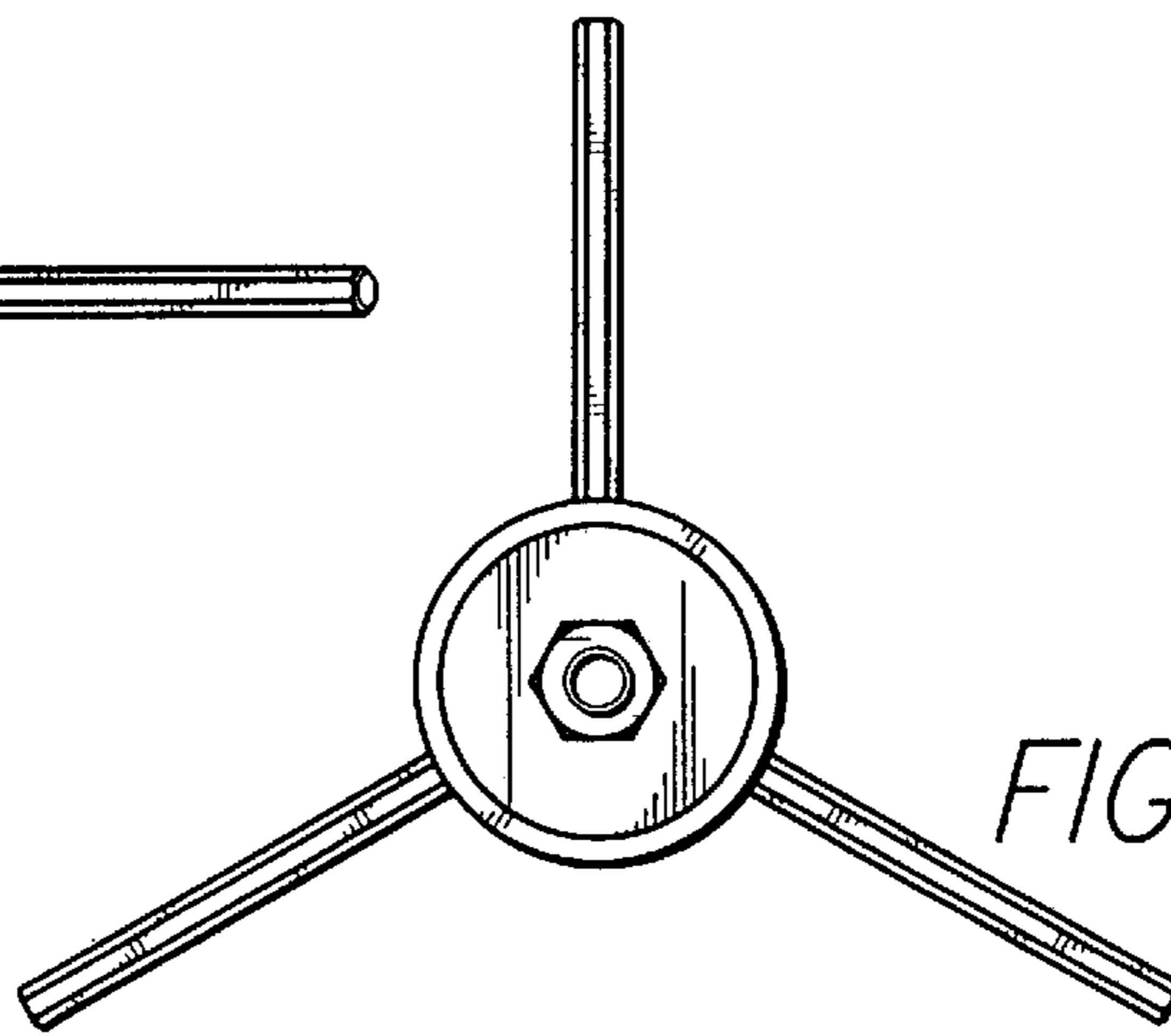


FIG. 4

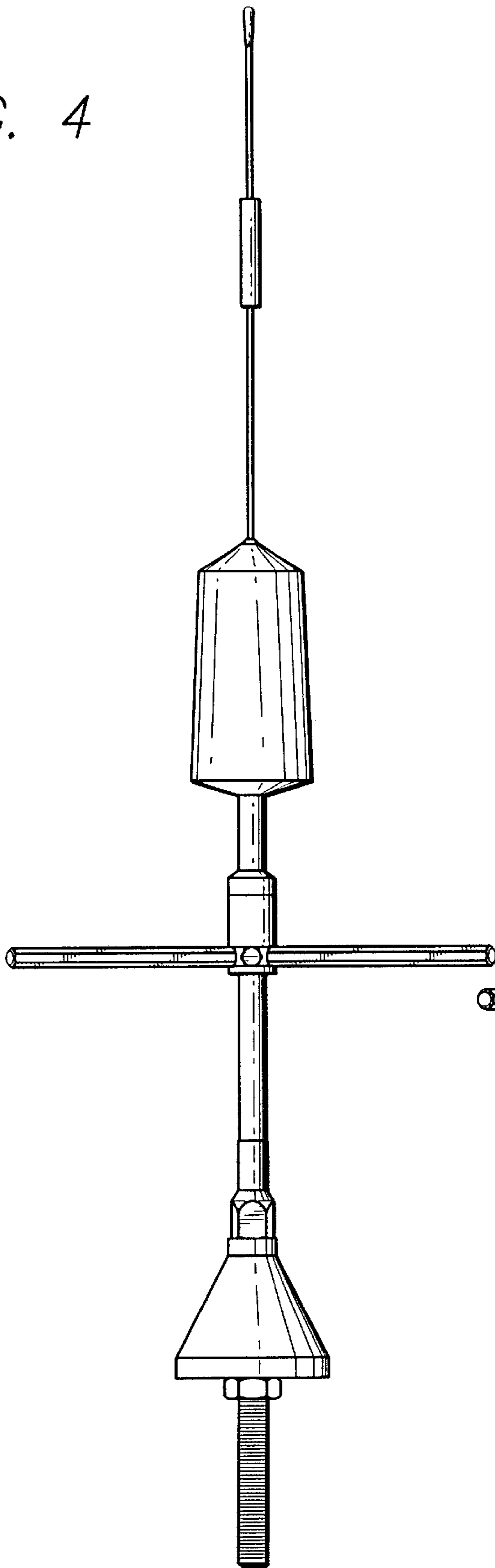


FIG. 5

