



US00D462065S

(12) **United States Design Patent**
Silverstein et al.

(10) **Patent No.:** **US D462,065 S**

(45) **Date of Patent:** **** Aug. 27, 2002**

(54) **LOUDSPEAKER**

(75) Inventors: **Steven A. Silverstein**, Marlborough;
Michael E. Laude, Upton, both of MA
(US)

(73) Assignee: **Bose Corporation**, Framingham, MA
(US)

(**) Term: **14 Years**

(21) Appl. No.: **29/143,638**

(22) Filed: **Jun. 15, 2001**

(51) **LOC (7) Cl.** **14-01**

(52) **U.S. Cl.** **D14/214**

(58) **Field of Search** D14/204, 207-216;
181/144-145, 147-148, 150, 152, 157,
198-199; 381/300-302, 307, 359, 361-364,
386

(56) **References Cited**

U.S. PATENT DOCUMENTS

D421,438 S * 3/2000 Bothe D14/213

D421,754 S * 3/2000 Ito et al. D14/214

D442,942 S * 5/2001 Tsuge D14/214

D443,604 S * 6/2001 Levine D14/214

* cited by examiner

Primary Examiner—Nanda Bondade

(74) *Attorney, Agent, or Firm*—Fish & Richardson P.C.

(57) **CLAIM**

The ornamental design for a loudspeaker, substantially as shown and described.

DESCRIPTION

FIG. 1 is an isometric view of the loudspeaker;

FIG. 2 is a top view of the loudspeaker;

FIG. 3 is a bottom view of the loudspeaker;

FIG. 4 is a right side view of the loudspeaker;

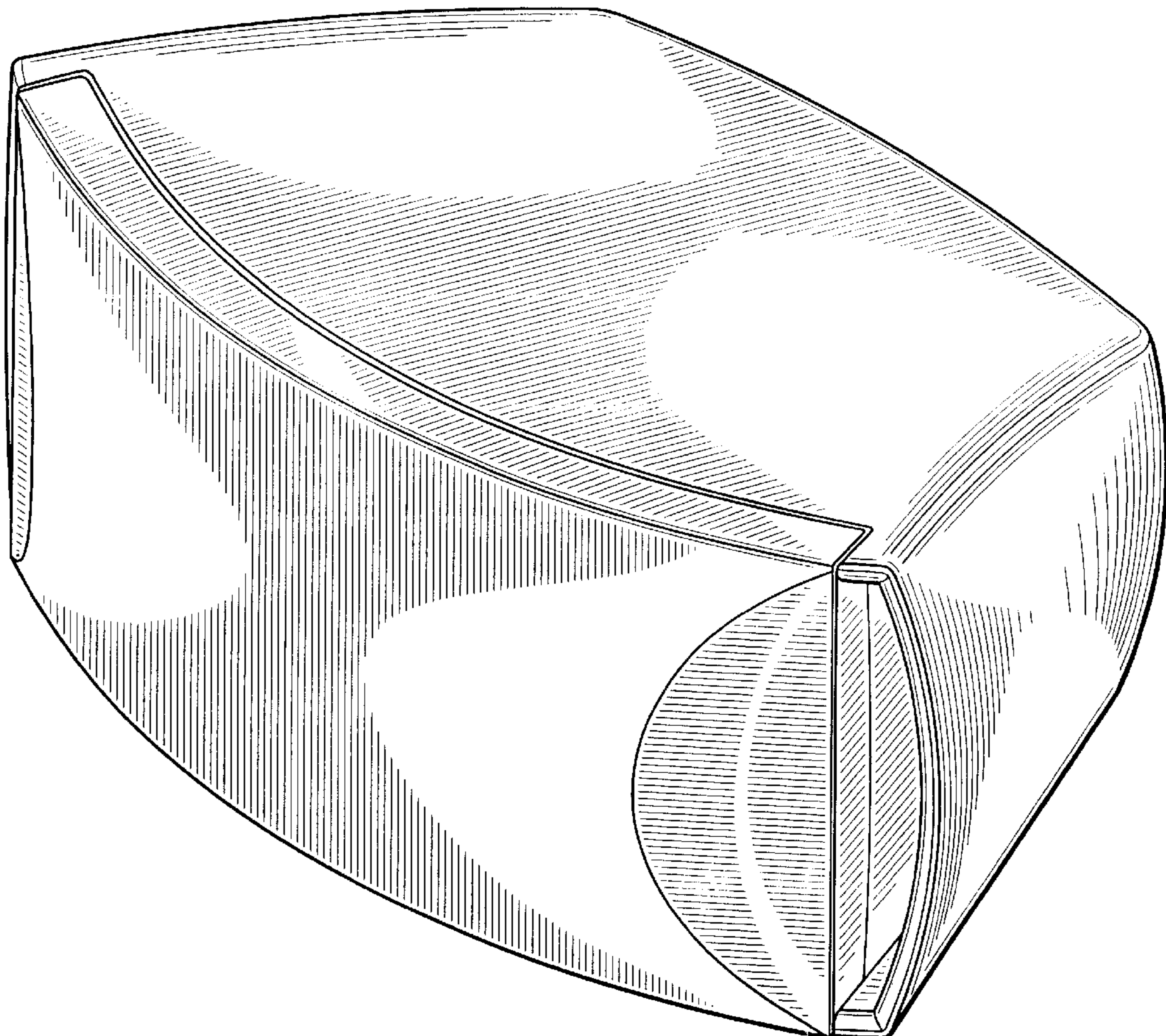
FIG. 5 is a left side view of the loudspeaker;

FIG. 6 is a front view of the loudspeaker; and,

FIG. 7 is a rear view of the loudspeaker.

The broken line showing on FIG. 7 is for illustrative purposes only and forms no part of the claimed design.

1 Claim, 4 Drawing Sheets



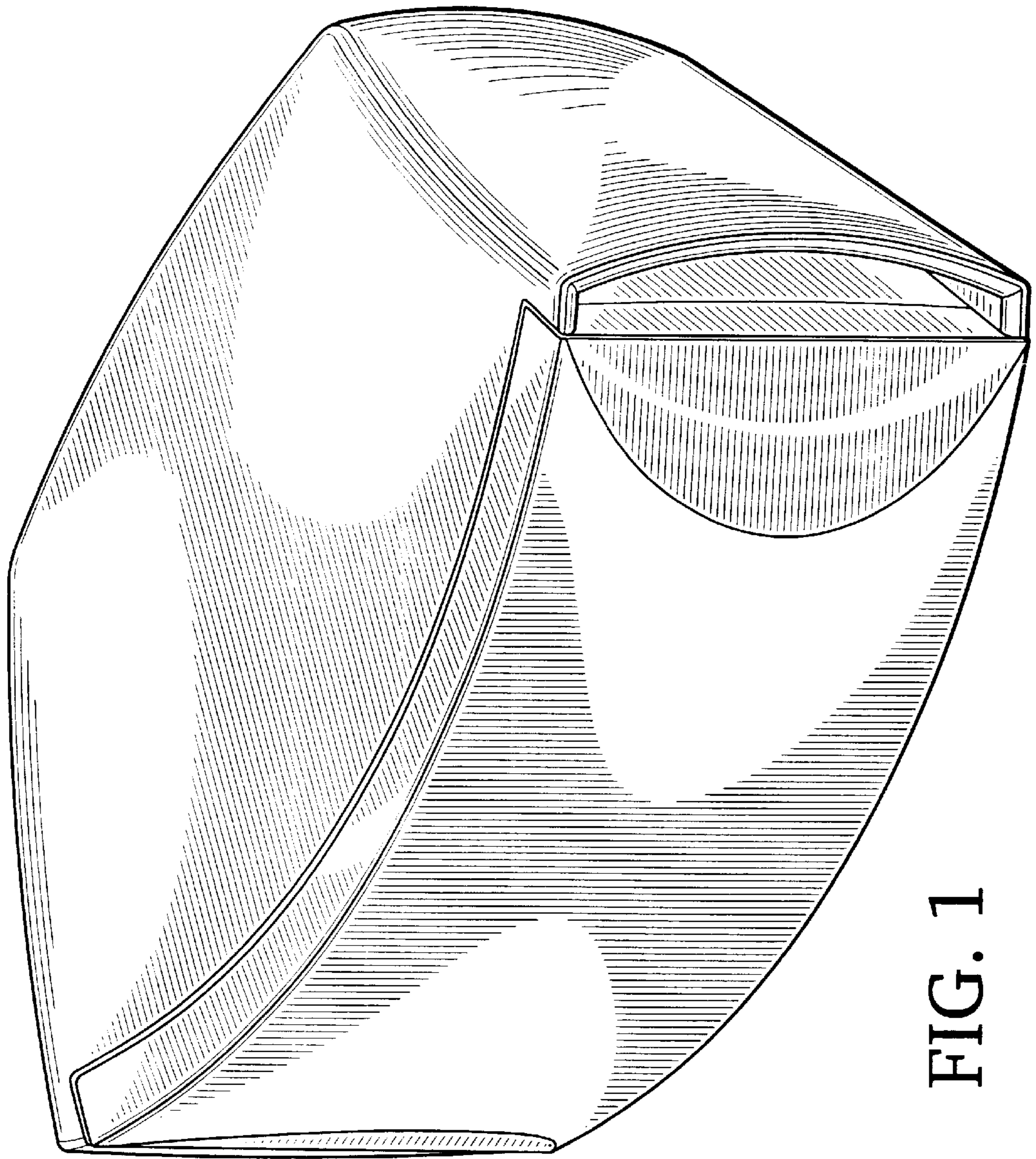


FIG. 1

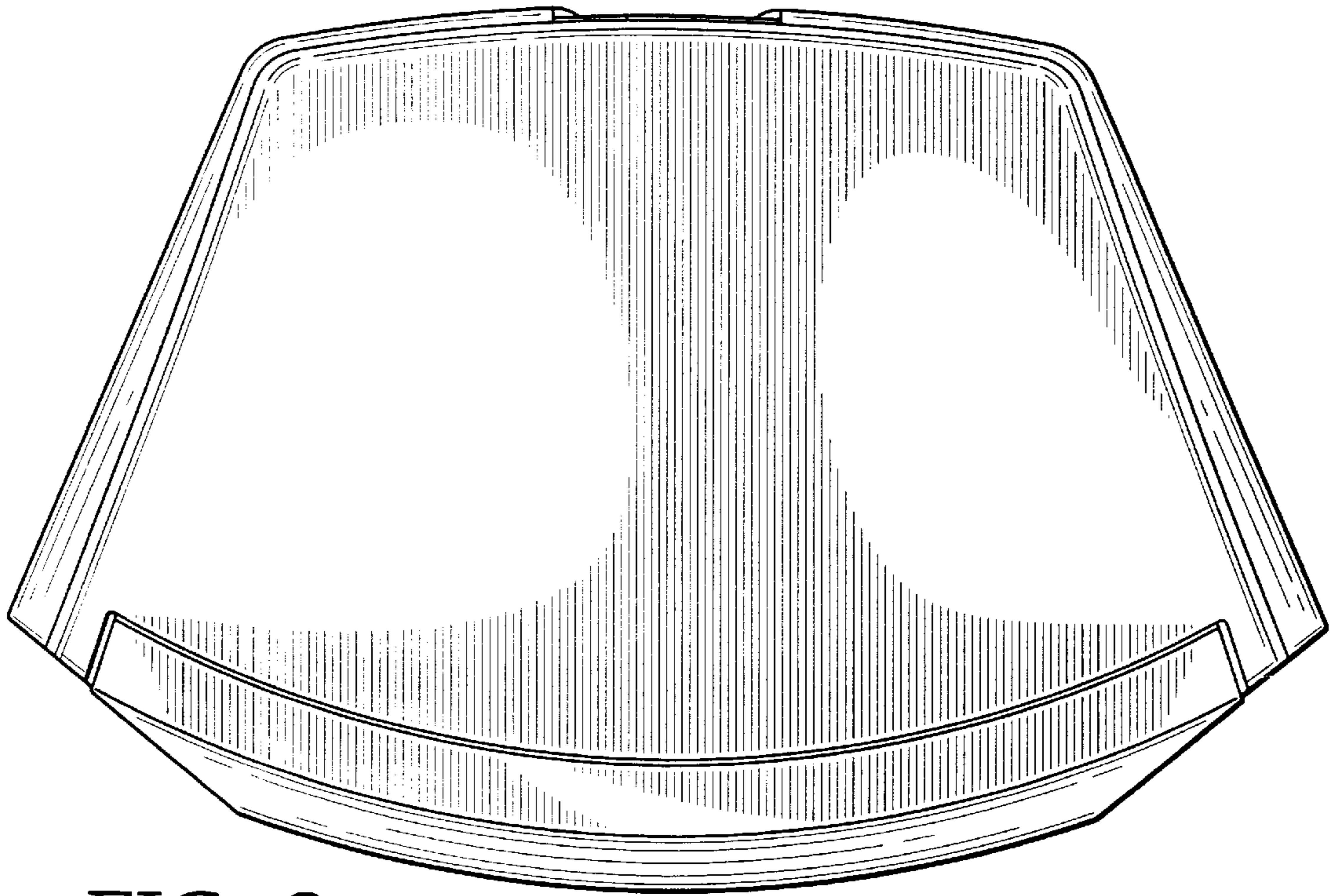


FIG. 2

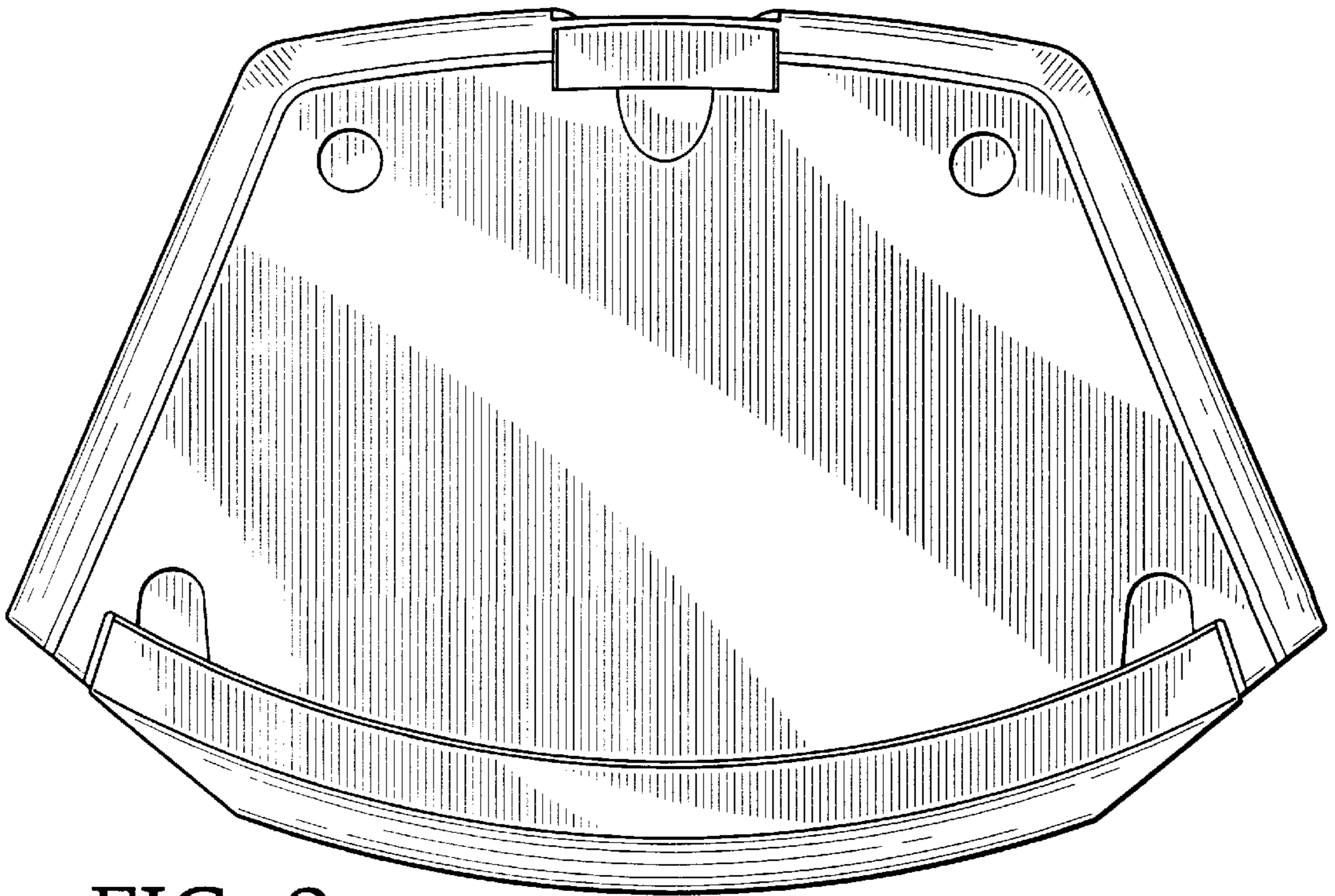


FIG. 3

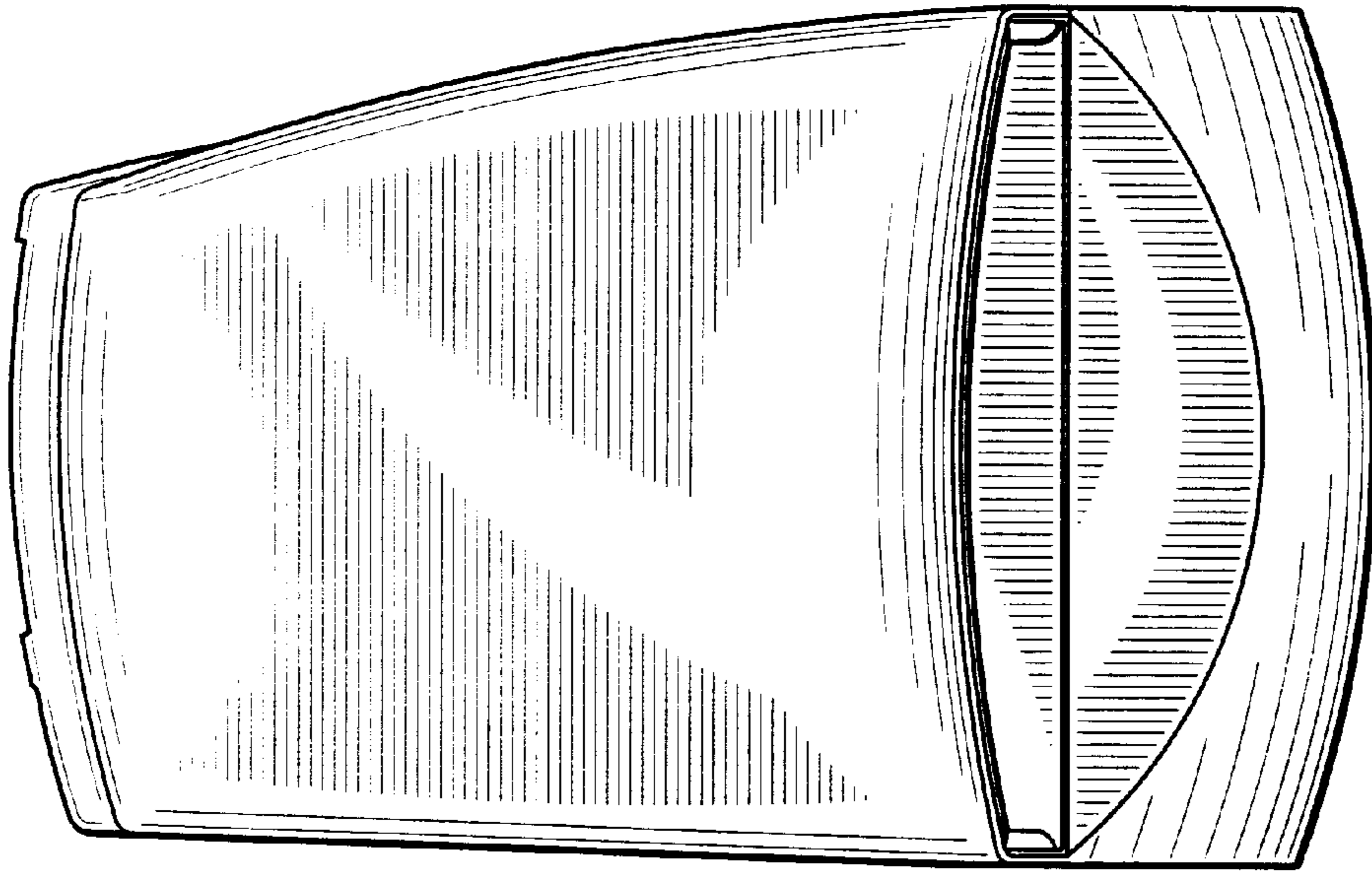


FIG. 4

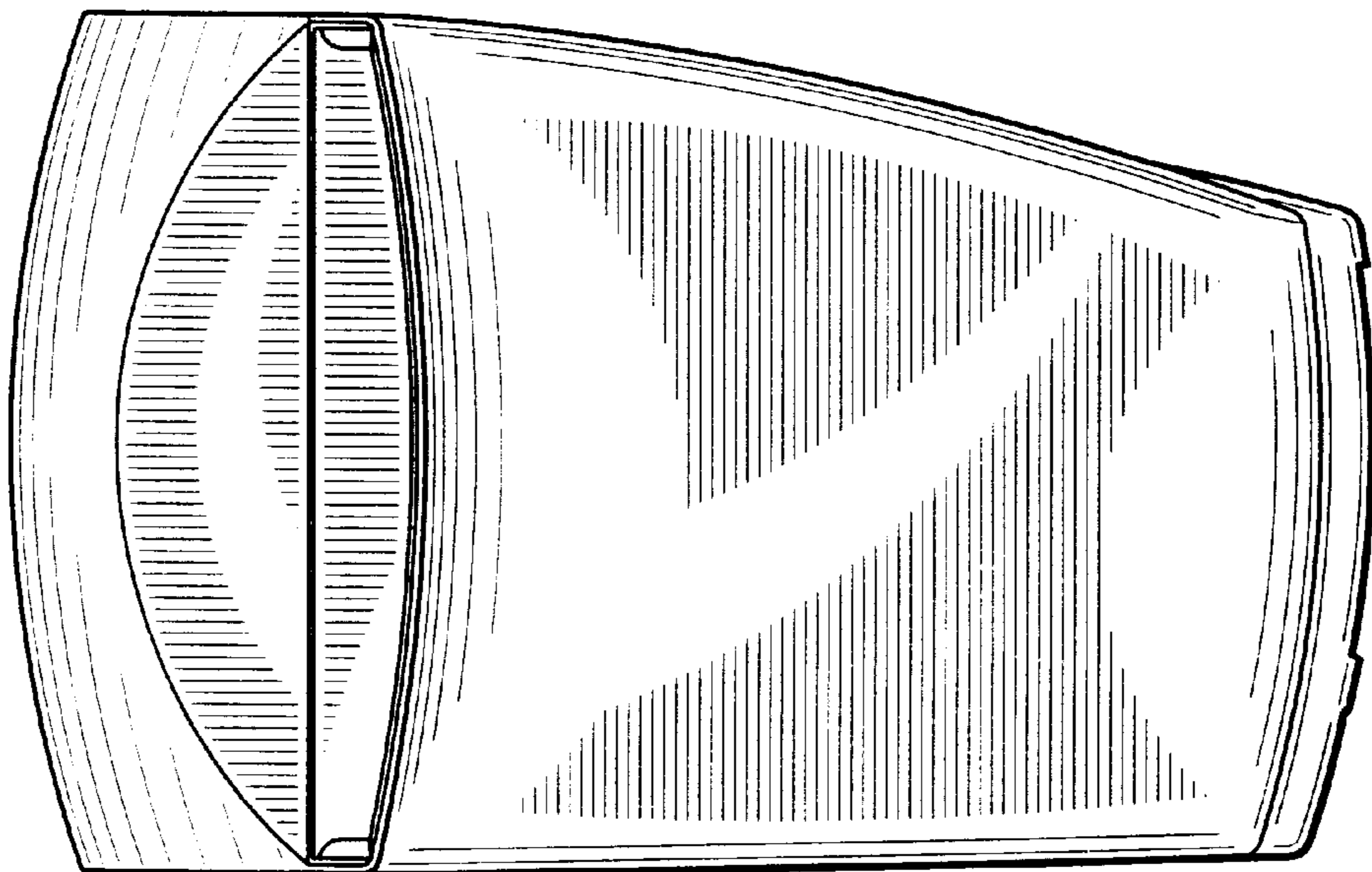


FIG. 5

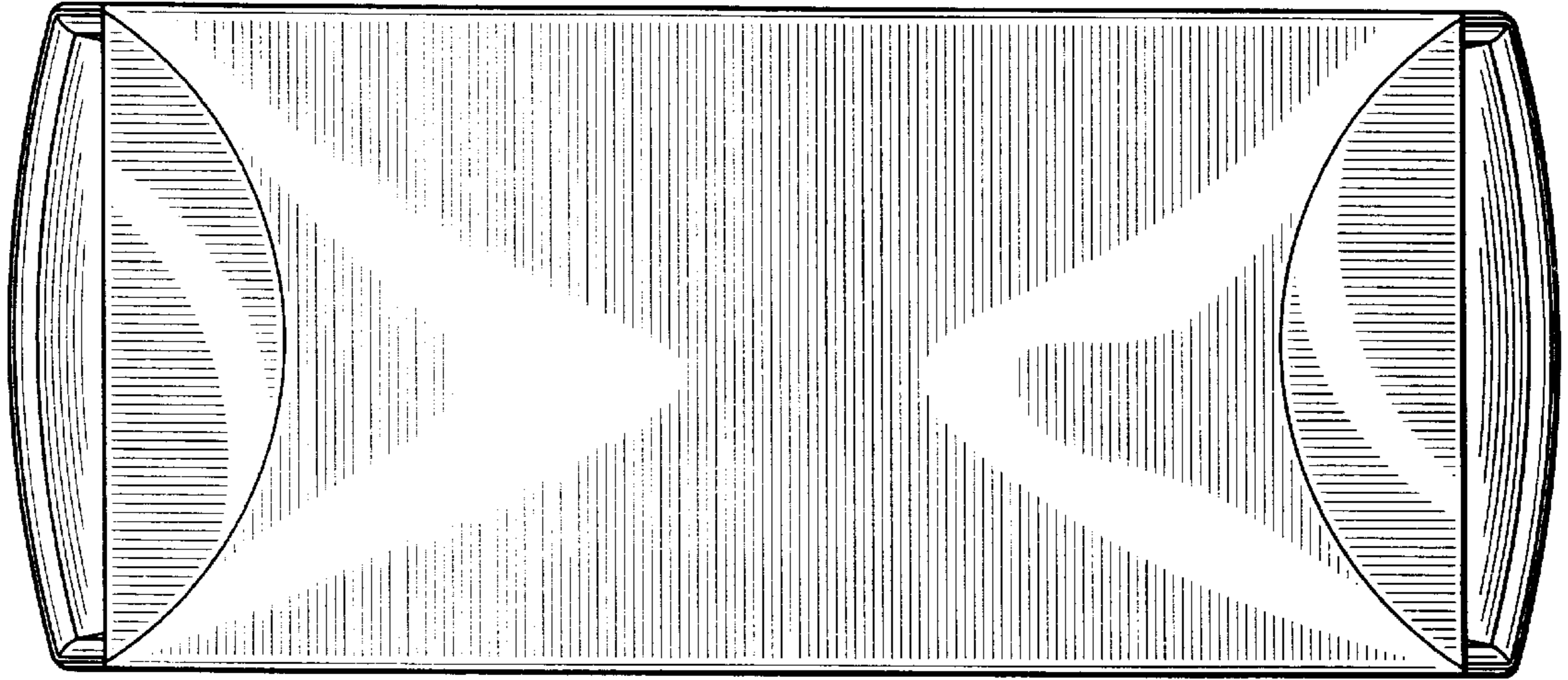


FIG. 6

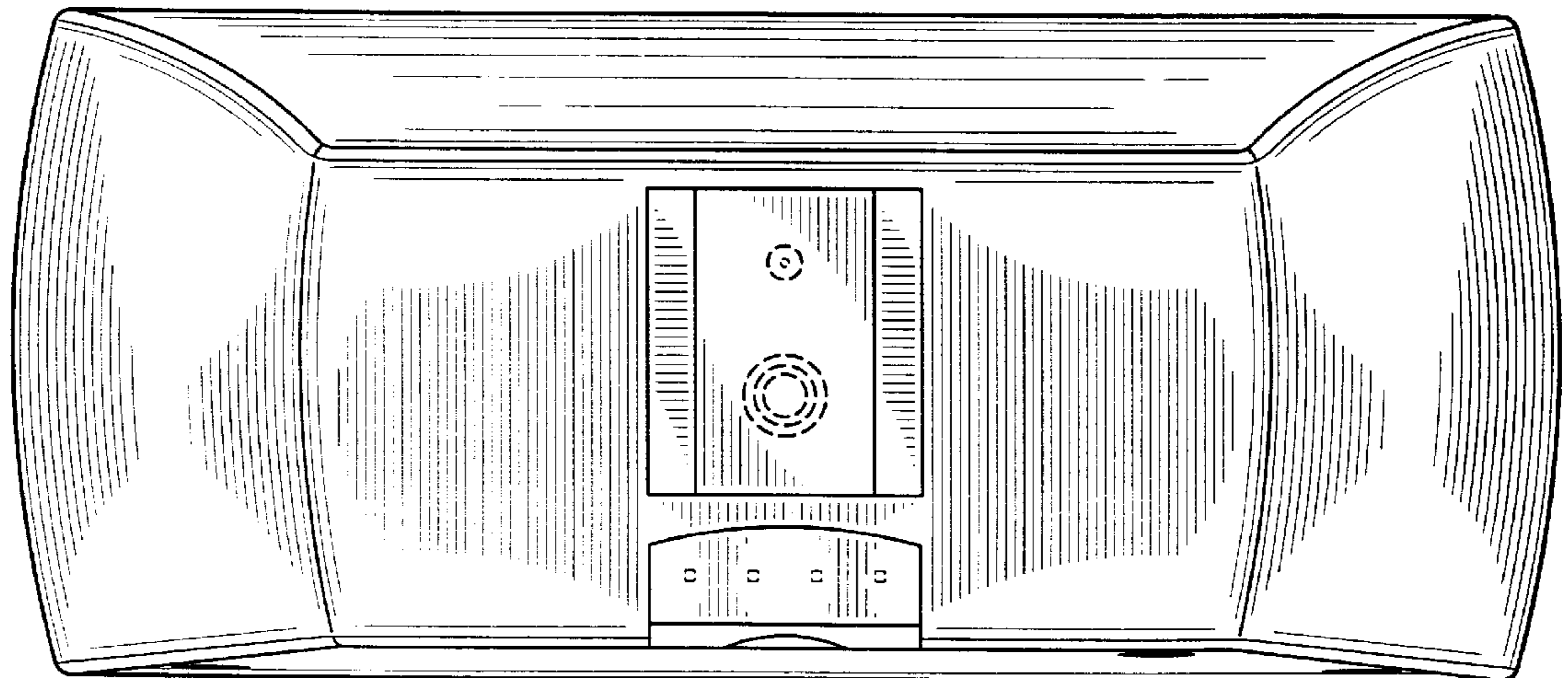


FIG. 7