



US00D462063S

(12) **United States Design Patent**
Bohné

(10) **Patent No.:** **US D462,063 S**

(45) **Date of Patent:** **** Aug. 27, 2002**

(54) **MULTIMEDIA TERMINAL**

(75) Inventor: **Ulrica Bohné**, Johanneshov (SE)

(73) Assignee: **Nokia Mobile Phones Ltd.**, Espoo (FI)

(**) Term: **14 Years**

(21) Appl. No.: **29/127,528**

(22) Filed: **Aug. 8, 2000**

(30) **Foreign Application Priority Data**

Feb. 10, 2000 (FI) M20000087

(51) **LOC (7) Cl.** **14-03**

(52) **U.S. Cl.** **D14/125**

(58) **Field of Search** D14/357, 358,
D14/125, 496, 188, 239, 242, 432; 348/10,
460, 706, 731; 340/825.03; 455/6.1, 6.2;
312/223.1

(56) **References Cited**

U.S. PATENT DOCUMENTS

D380,199 S * 6/1997 Beruscha et al. D14/239
D398,920 S * 9/1998 Yen D14/358

D414,763 S * 10/1999 Iftikar D14/125
D419,988 S * 2/2000 Brunner D14/125
D448,353 S * 9/2001 Chang D14/125

* cited by examiner

Primary Examiner—Raphael Barkai

(74) *Attorney, Agent, or Firm*—Steven A. Shaw

(57) **CLAIM**

The ornamental design for a multimedia terminal, as shown.

DESCRIPTION

FIG. 1 is a top view of the multimedia terminal;
FIG. 2 is a right side view thereof;
FIG. 3 is a left side view thereof;
FIG. 4 is a top-left perspective view thereof;
FIG. 5 is a top-right perspective view thereof;
FIG. 6 is a front view thereof;
FIG. 7 is a rear view thereof; and,
FIG. 8 is a bottom plan view thereof.

The portion of the multimedia terminal shown in broken lines is for illustrative purposes only and forms no part of the claimed design.

1 Claim, 5 Drawing Sheets

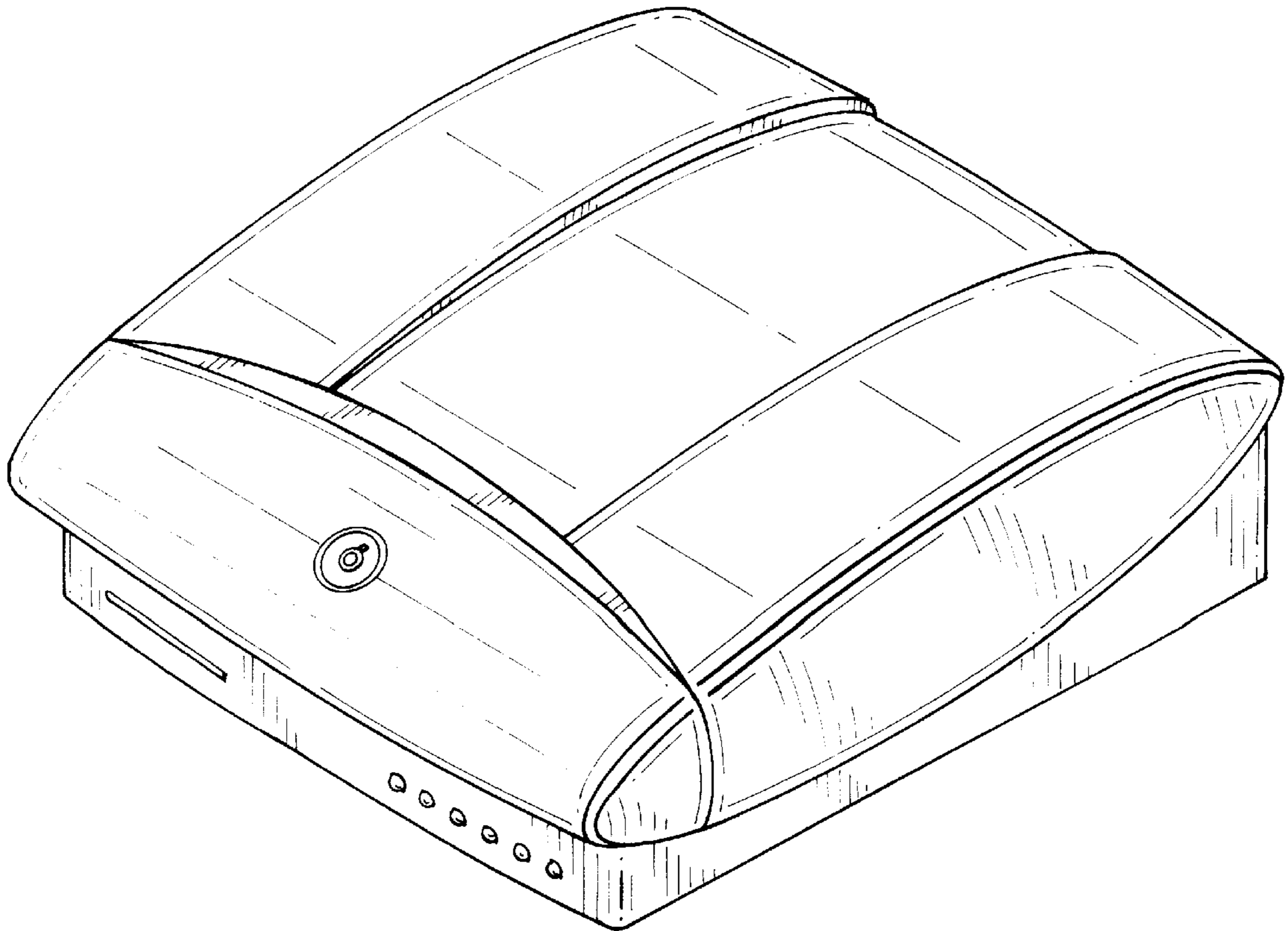


FIG. 1

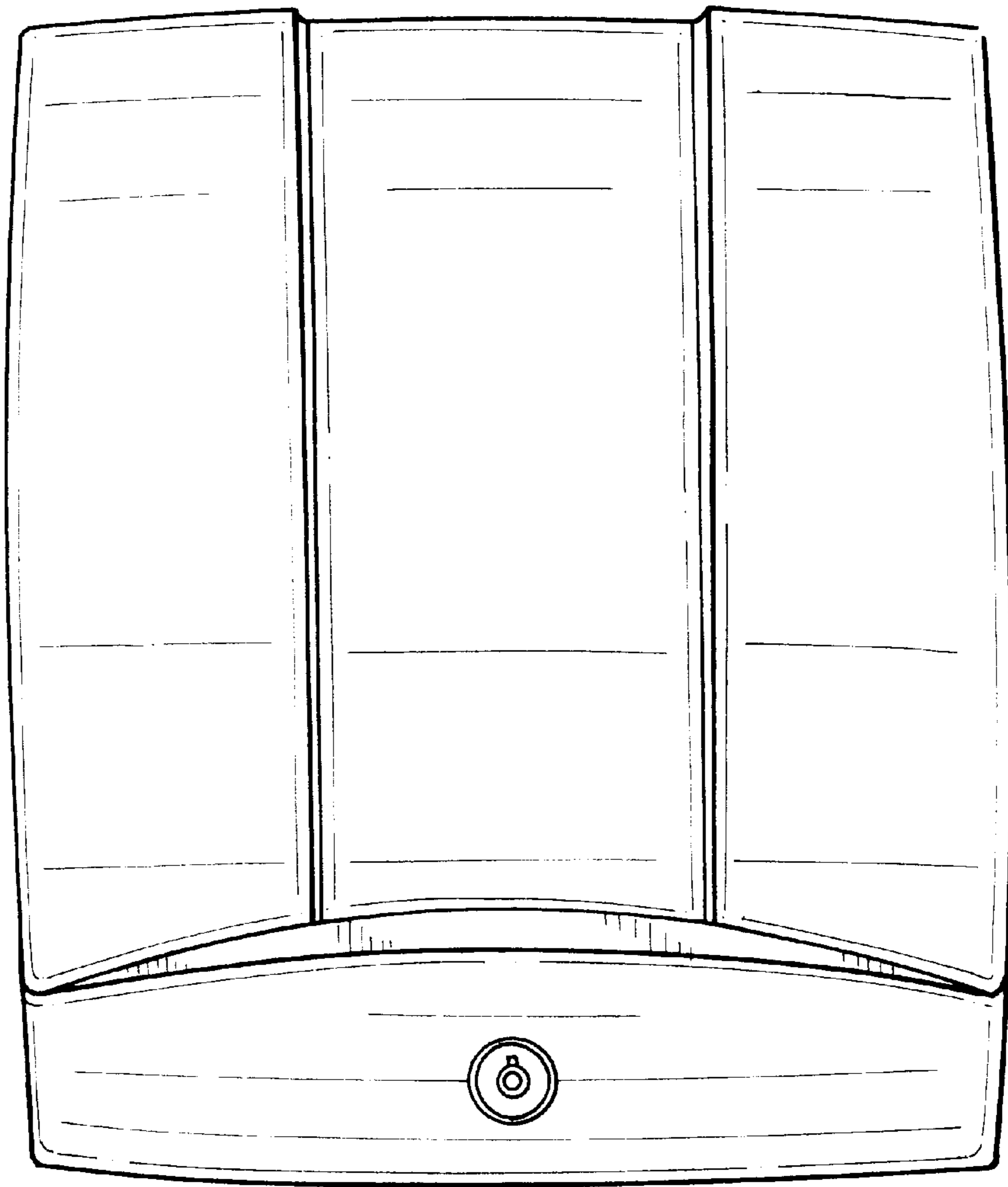


FIG. 2

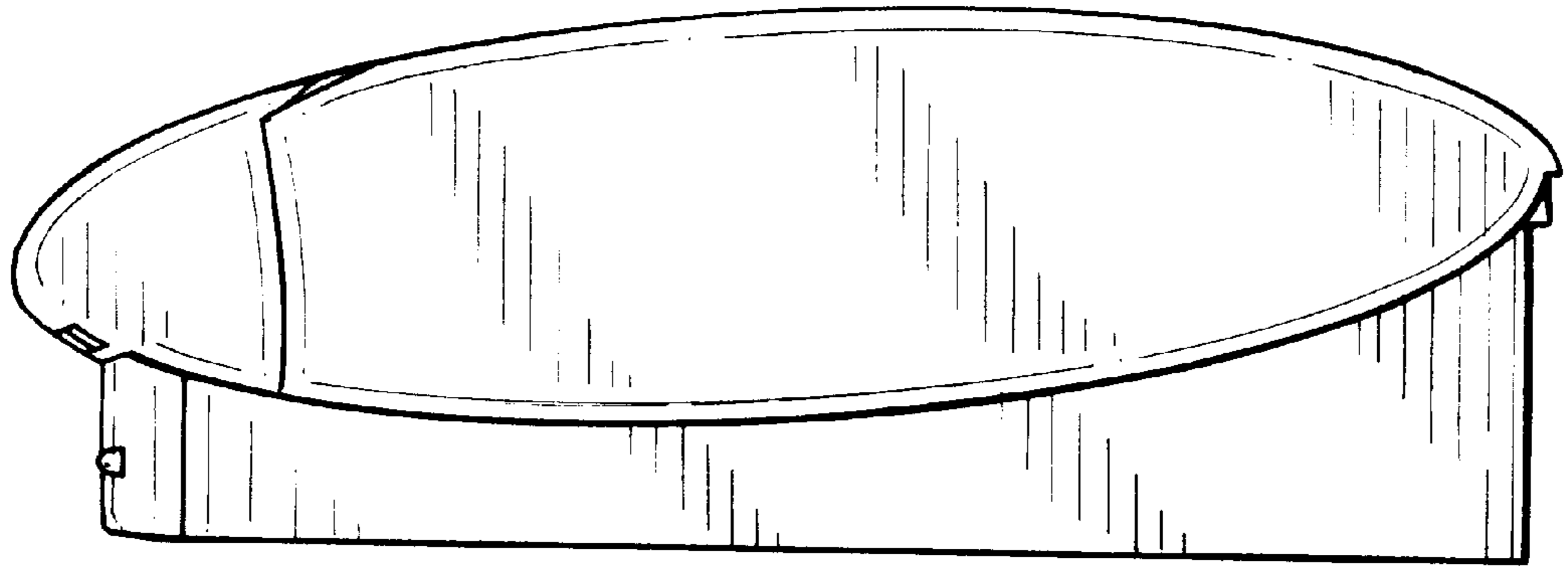


FIG. 3

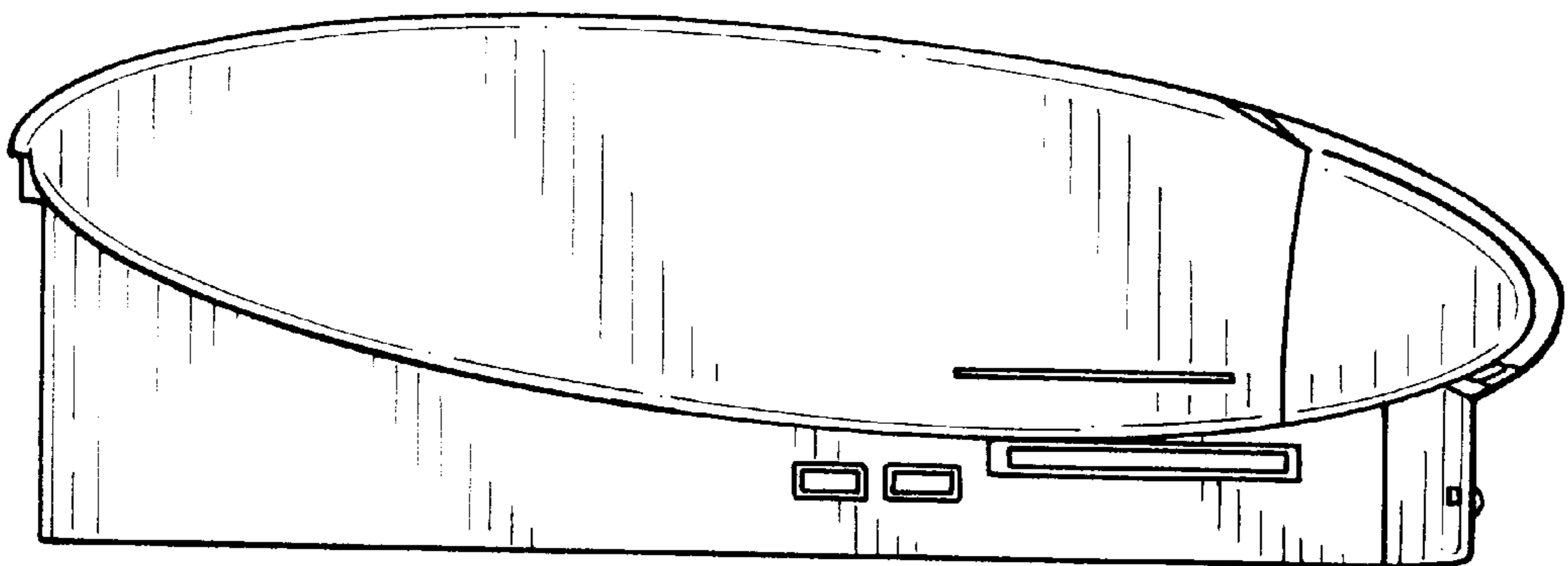


FIG. 4

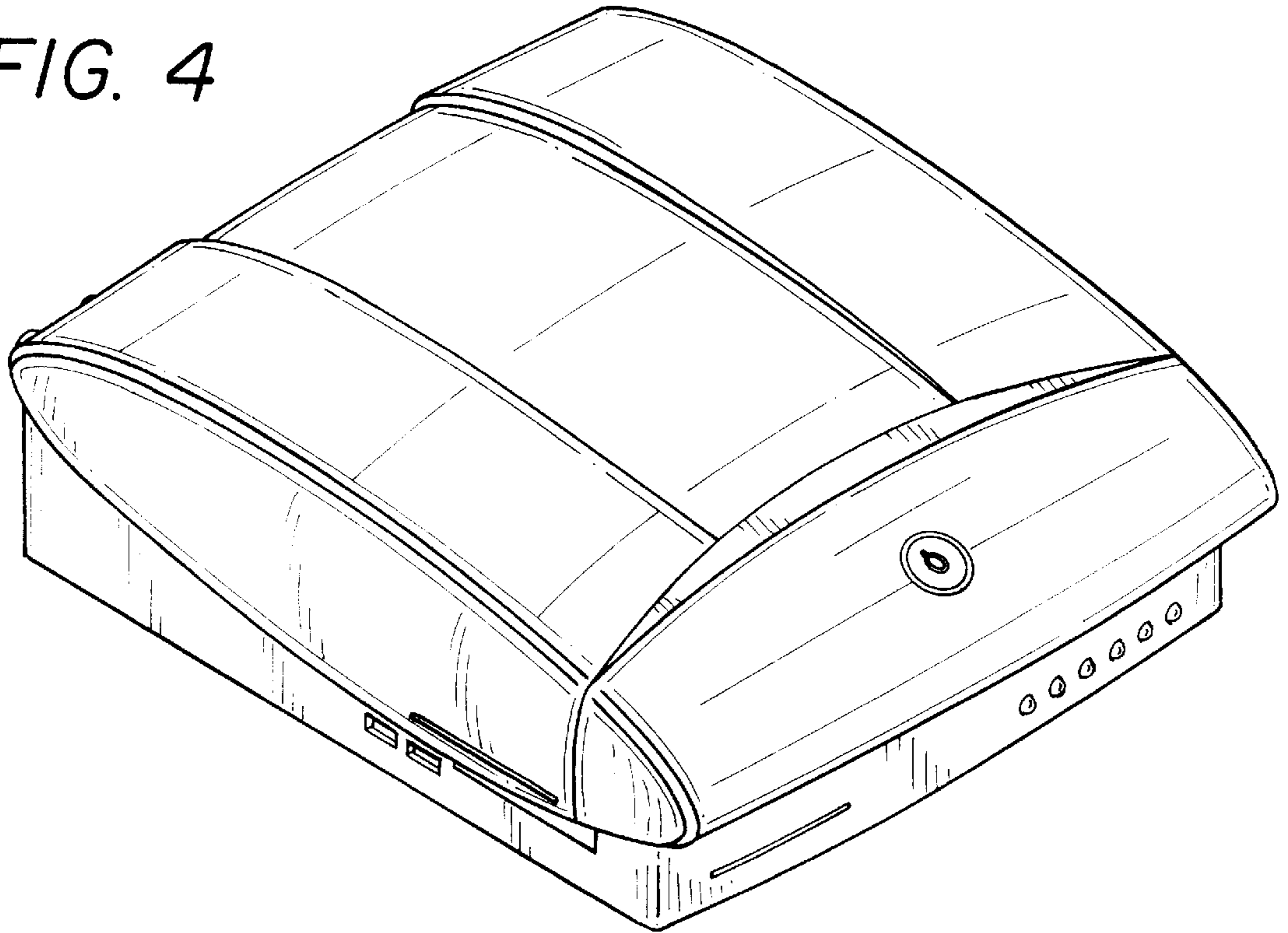


FIG. 5

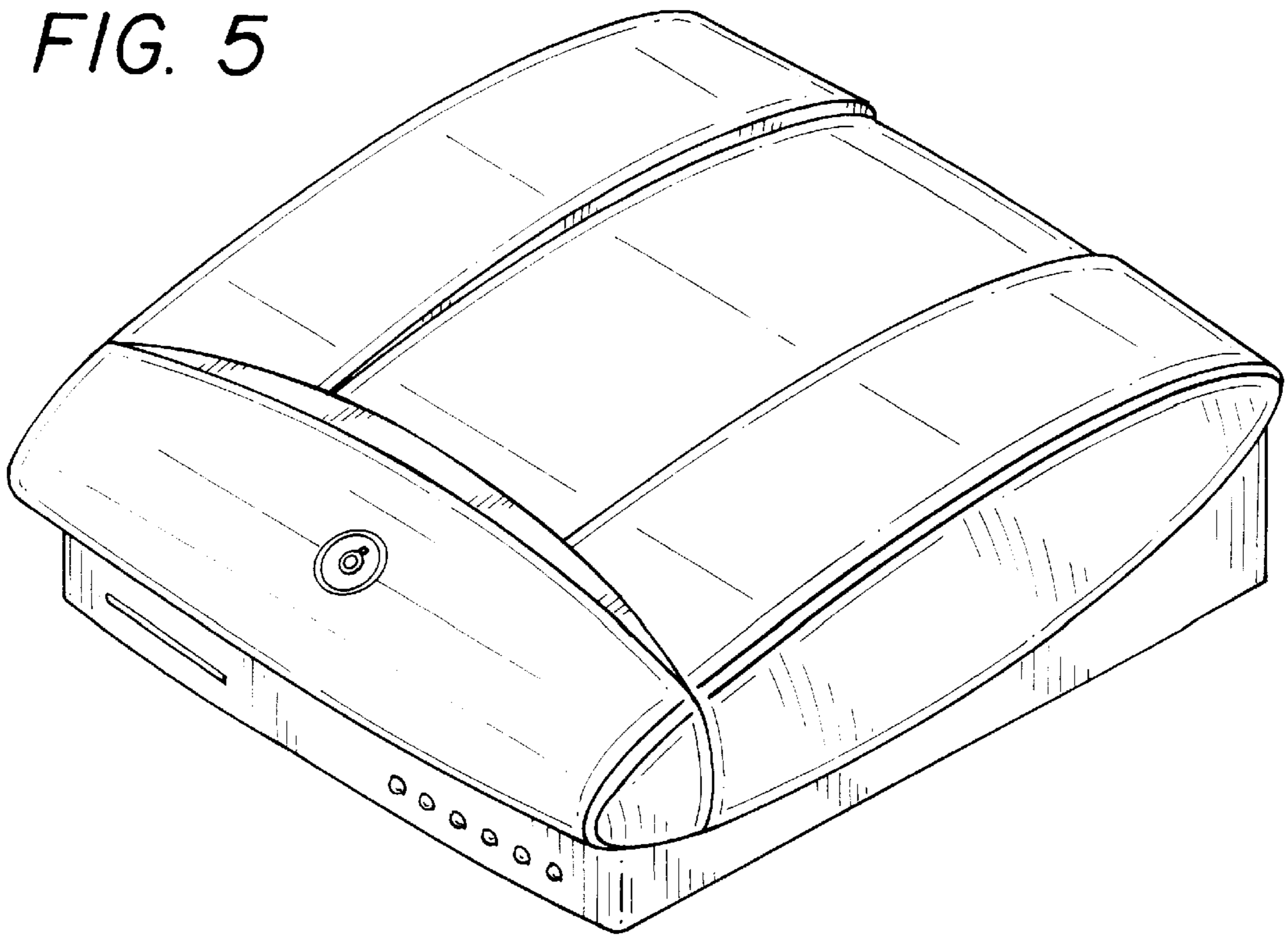


FIG. 6

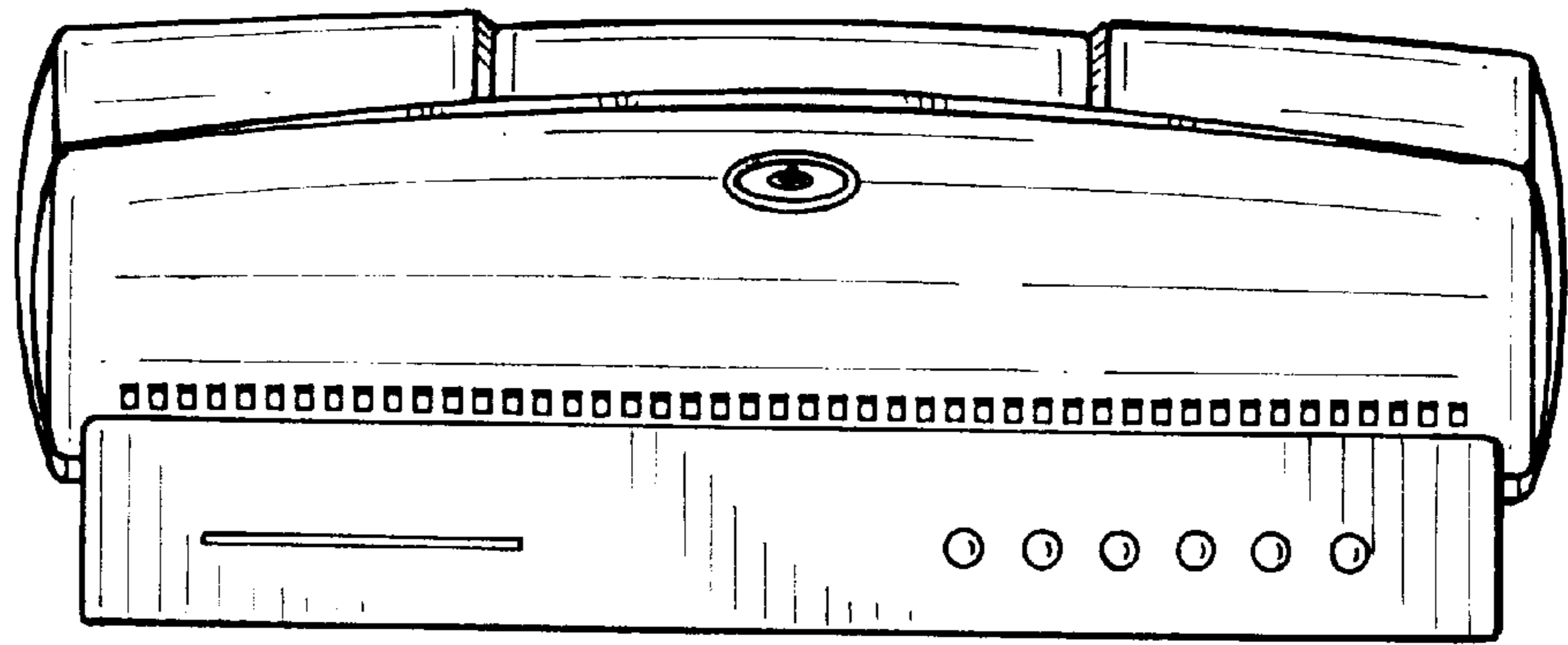


FIG. 7

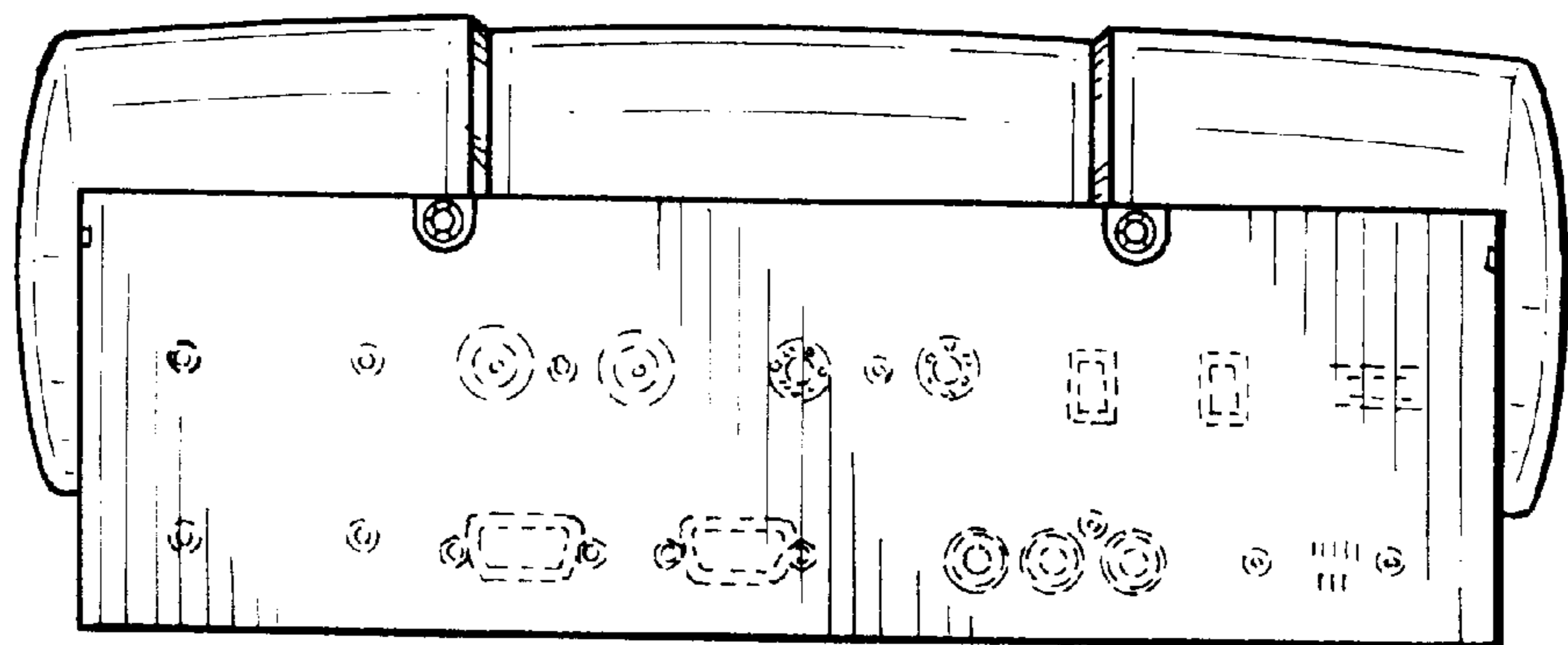


FIG. 8

