



US00D462061S

(12) **United States Design Patent**  
**Fukumori et al.**

(10) **Patent No.:** **US D462,061 S**

(45) **Date of Patent:** **\*\* Aug. 27, 2002**

(54) **FUSE HOLDER**

(75) Inventors: **Shuichi Fukumori; Sonny Van Dessel,**  
both of Osaka (JP)

(73) Assignee: **J.S.T. Mfg. Co., Ltd.,** Osaka (JP)

(\*\*) Term: **14 Years**

(21) Appl. No.: **29/142,670**

(22) Filed: **May 31, 2001**

(30) **Foreign Application Priority Data**

Dec. 21, 2000 (XH) ..... DM/054 992

(51) **LOC (7) Cl.** ..... **13-03**

(52) **U.S. Cl.** ..... **D13/161**

(58) **Field of Search** ..... D13/160, 161,  
D13/178; 337/142, 159, 186, 190, 194,  
196, 197, 198, 201, 227, 255, 264; 361/600,  
622, 626, 642, 646, 833, 834; 439/170,  
172, 366, 620, 621, 622, 687, 541.5, 540.1

(56) **References Cited**

**U.S. PATENT DOCUMENTS**

3,432,789 A	*	3/1969	Poehlman	.....	337/242
4,126,368 A	*	11/1978	Godfey et al.	.....	439/354
4,560,227 A	*	12/1985	Bukala	.....	439/557
4,646,052 A	*	2/1987	Matsunaga et al.	.....	337/166
5,082,458 A	*	1/1992	Poerschke	.....	439/621
5,171,293 A	*	12/1992	Umemoto et al.	.....	439/622
5,281,171 A	*	1/1994	Job	.....	439/621
5,581,225 A	*	12/1996	Oh et al.	.....	337/295

5,632,654 A	*	5/1997	Sugiura	.....	439/621
5,841,337 A	*	11/1998	Douglass	.....	337/198
5,929,740 A	*	7/1999	Oh et al.	.....	337/198

\* cited by examiner

*Primary Examiner*—Ted Shooman

*Assistant Examiner*—Selina Sikder

(74) *Attorney, Agent, or Firm*—W. F. Fasse; W. G. Fasse

(57) **CLAIM**

We claim the ornamental design for a fuse holder, as shown and described.

**DESCRIPTION**

FIG. 1 is a front view of a fuse holder showing our new design;

FIG. 2 is a rear view of the fuse holder;

FIG. 3 is a top view of the fuse holder;

FIG. 4 is a bottom view of the fuse holder;

FIG. 5 is a left side view of the fuse holder;

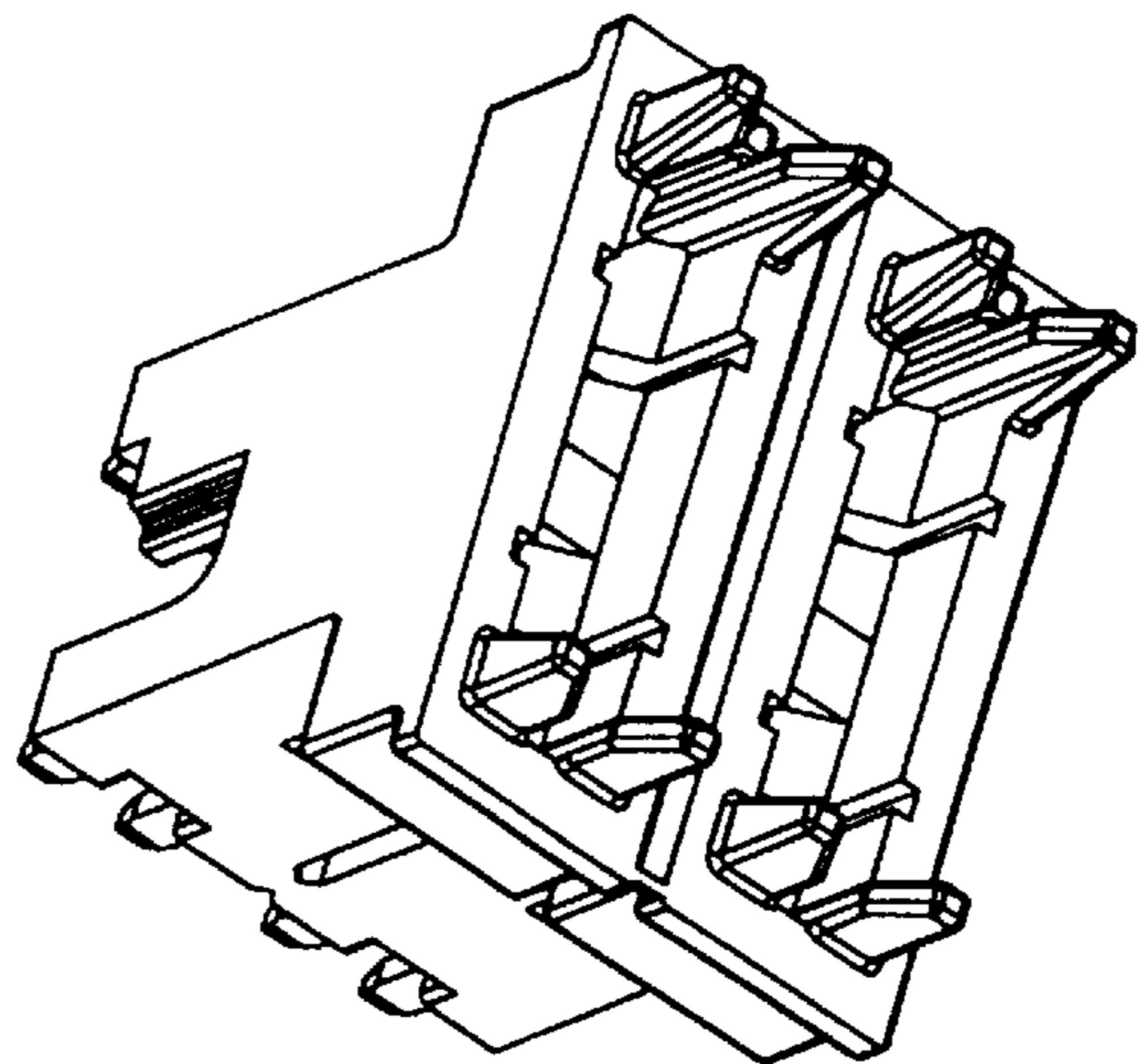
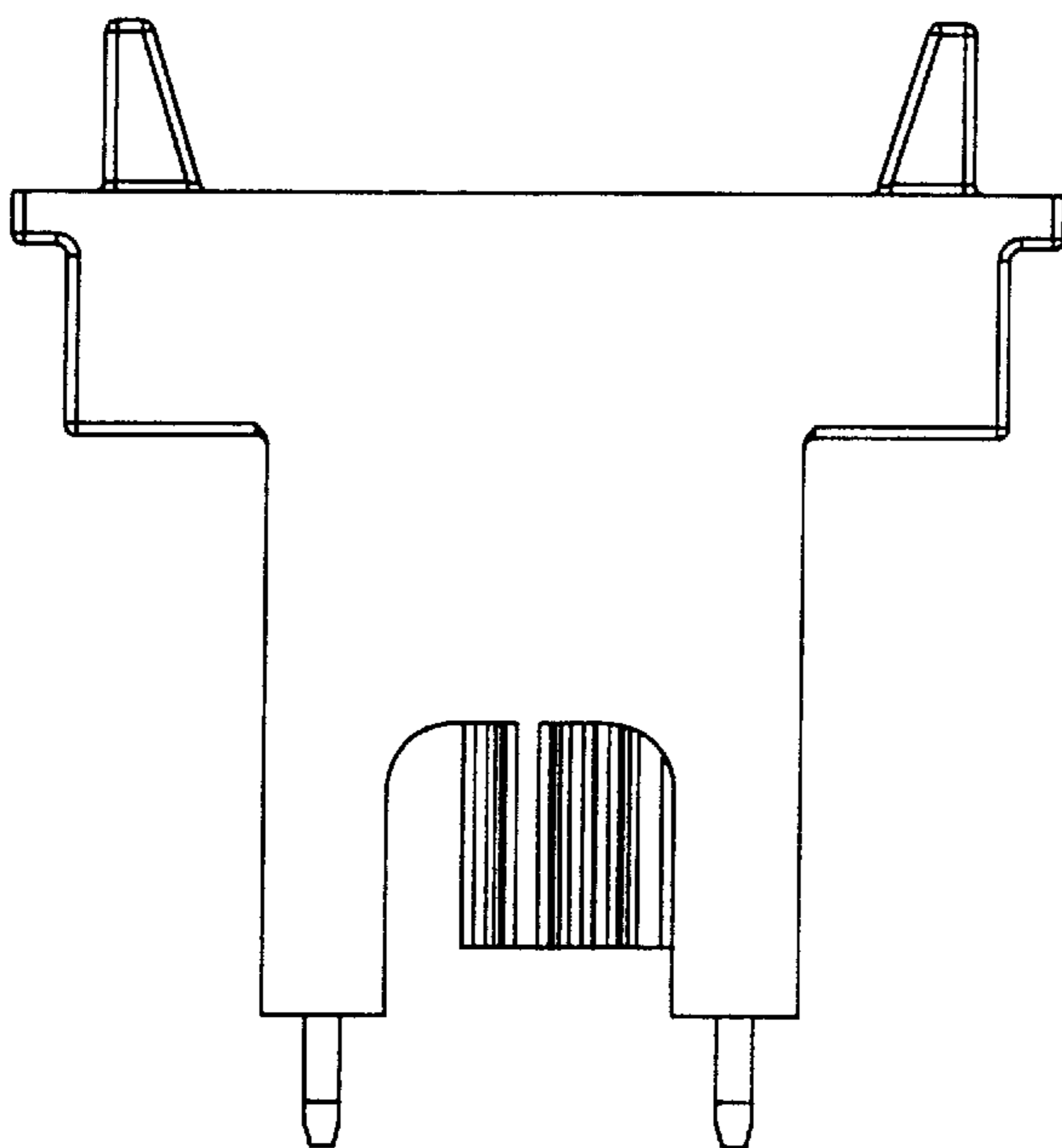
FIG. 6 is a right side view of the fuse holder;

FIG. 7 and FIG. 8 are perspective views of the fuse holder; and,

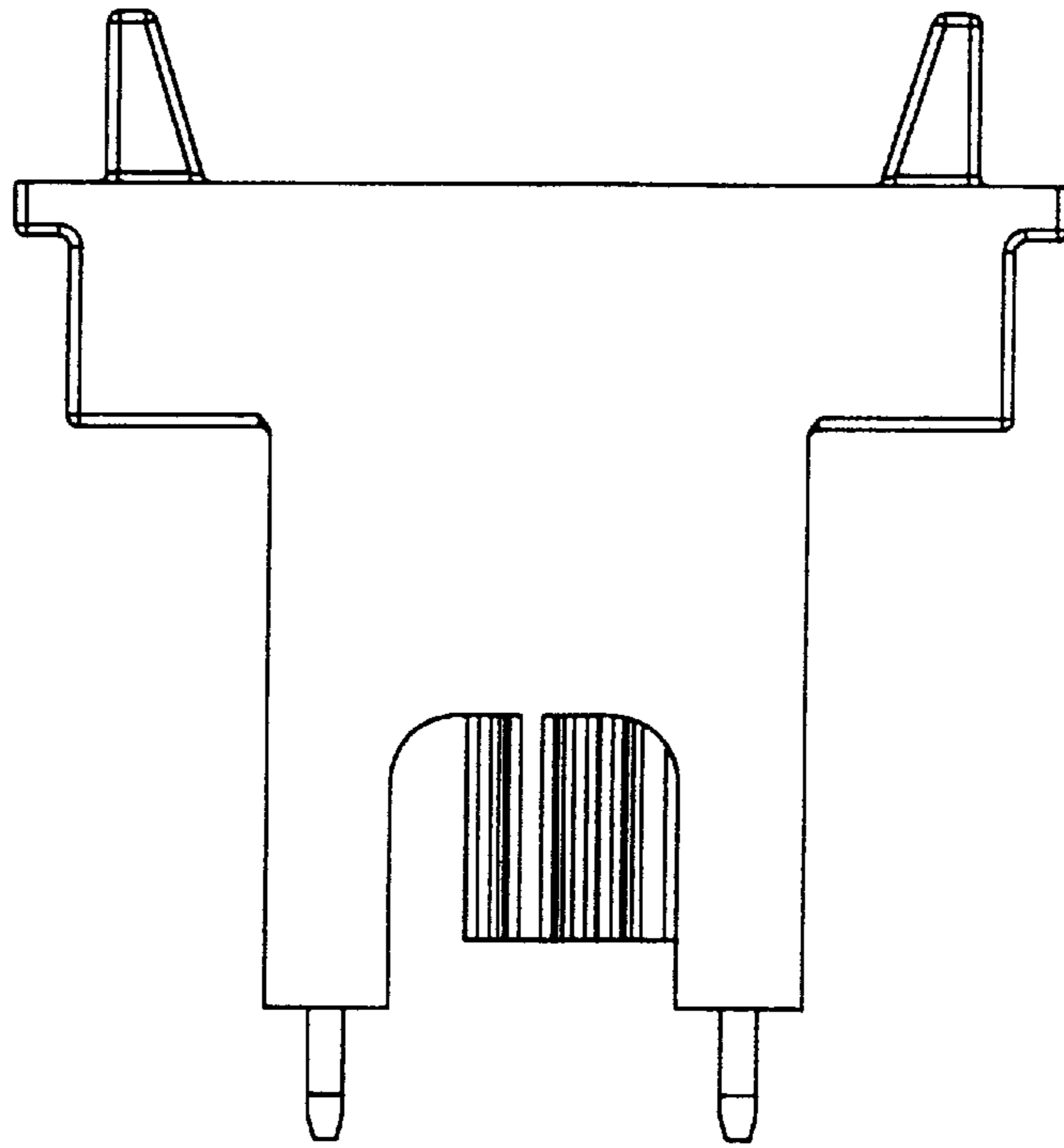
FIG. 9 is a sectional view along the line IX—IX in FIG. 5, wherein the fuse holder is shown in a connecting condition.

The fuse holder is mounted on a printed circuit board and receives a blade type fuse or two blade type fuses. The printed circuit board and the fuse are drawn in broken lines for illustrative purposes only and form no part of the claimed design.

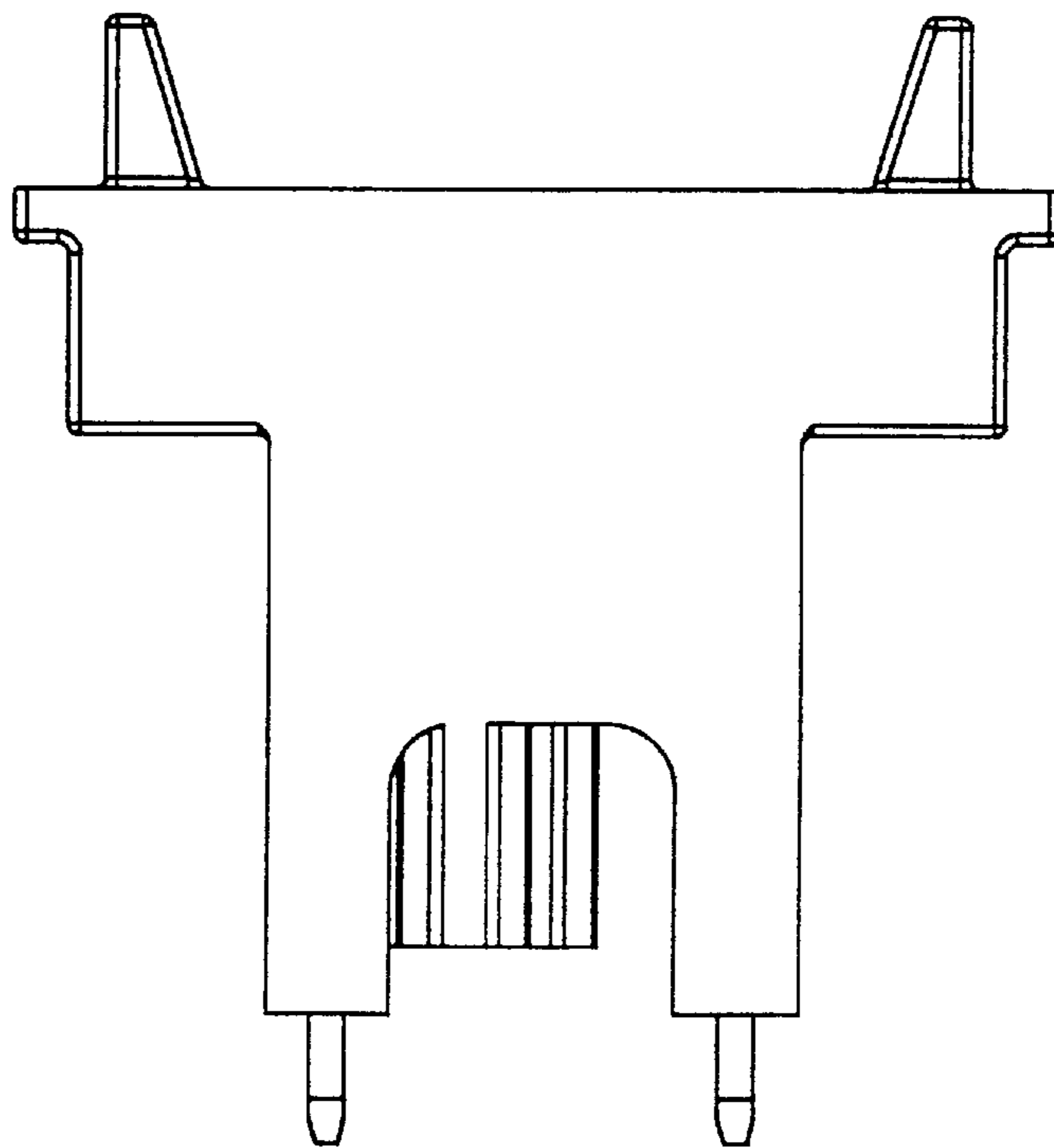
**1 Claim, 5 Drawing Sheets**



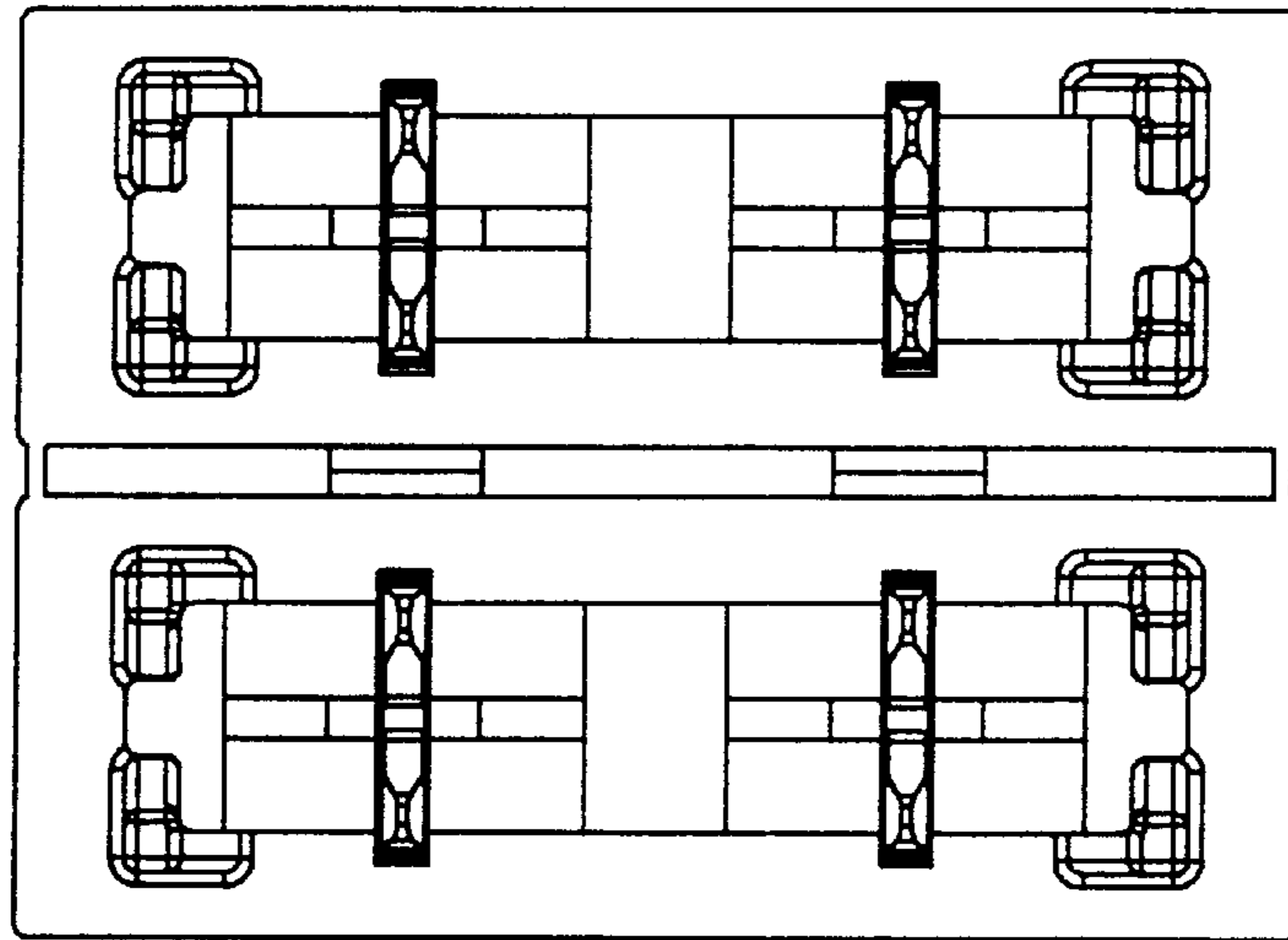
F I G . 1



F I G . 2



F I G . 3



F I G . 4

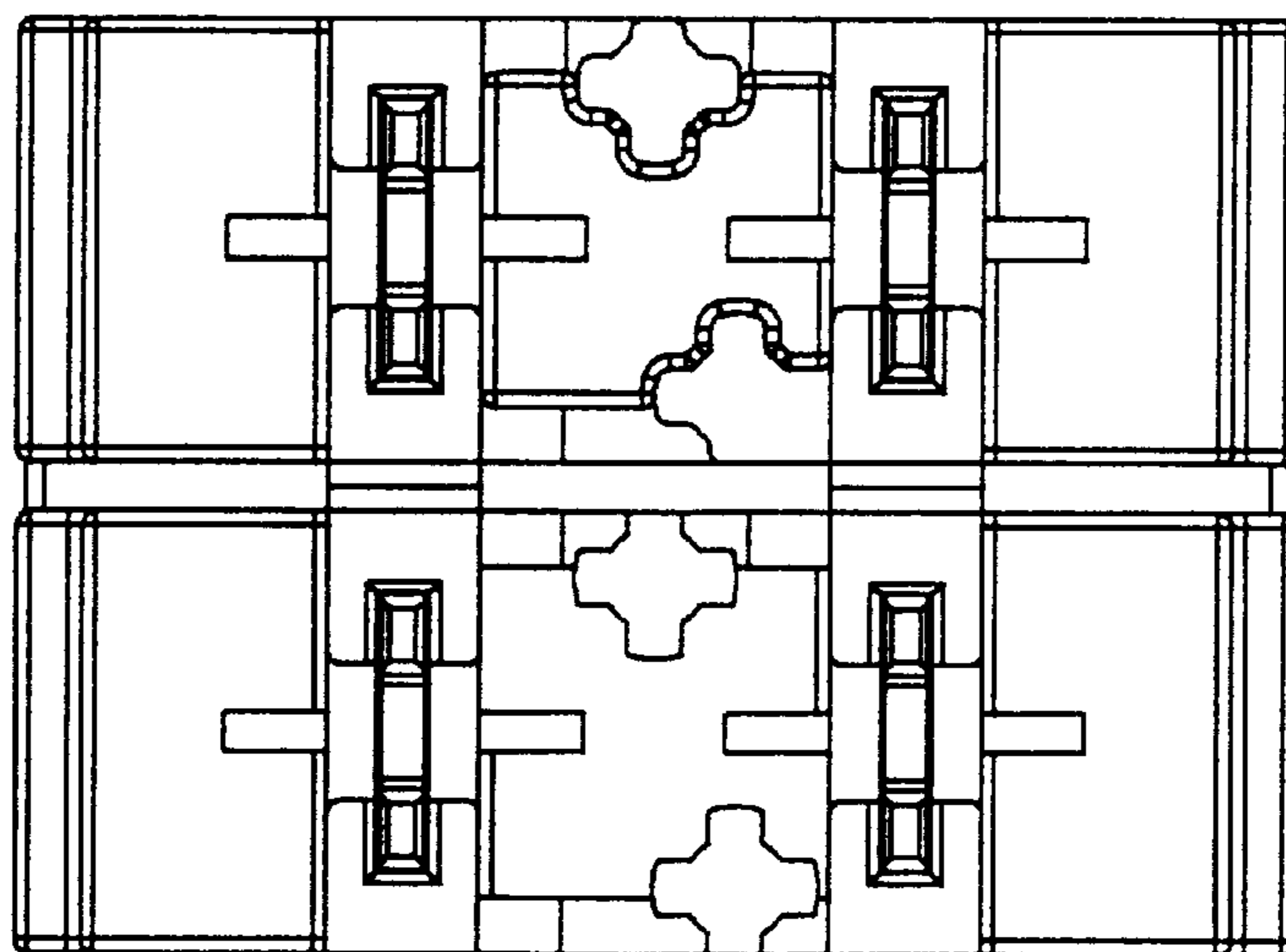


FIG. 5

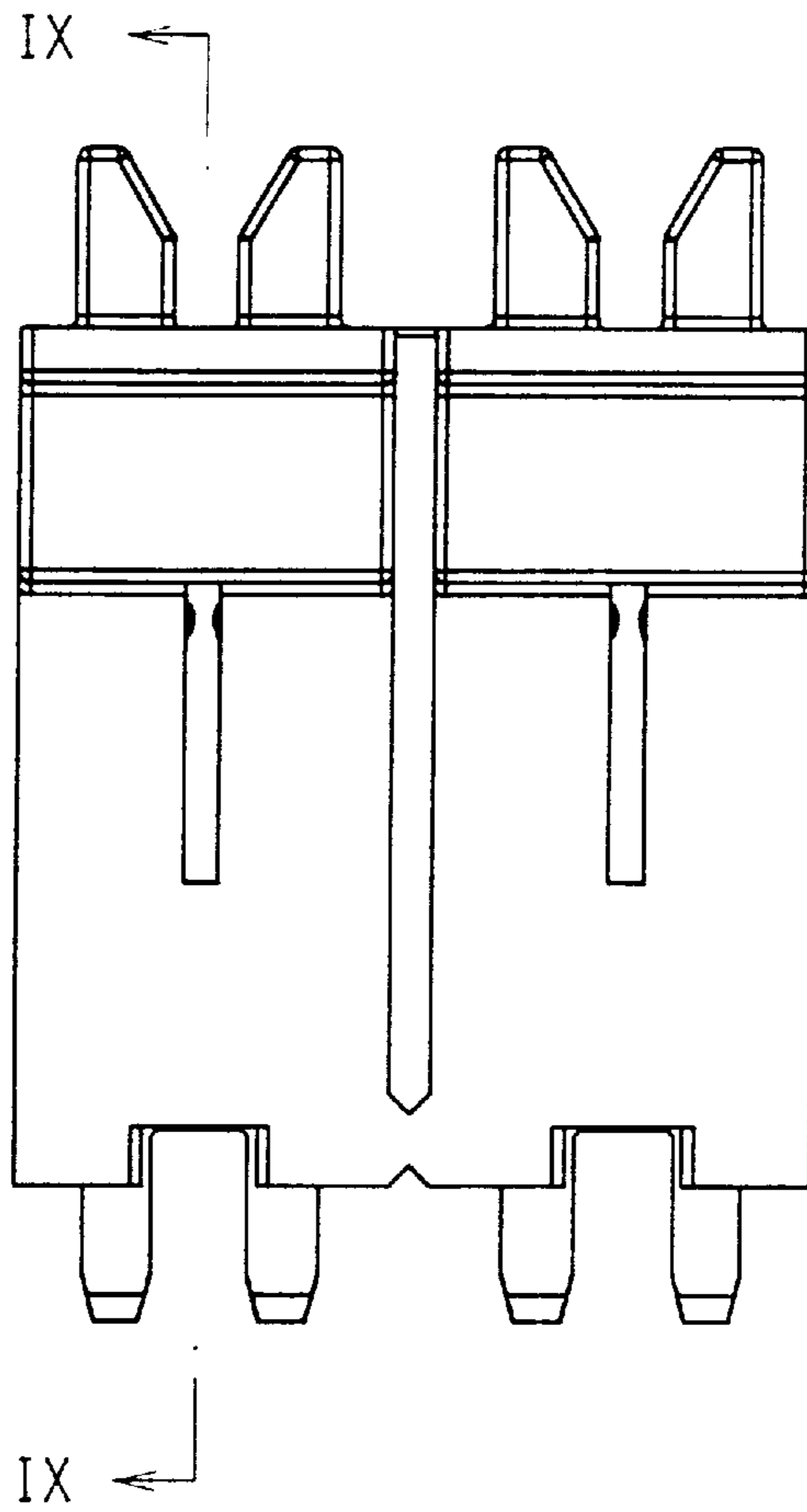
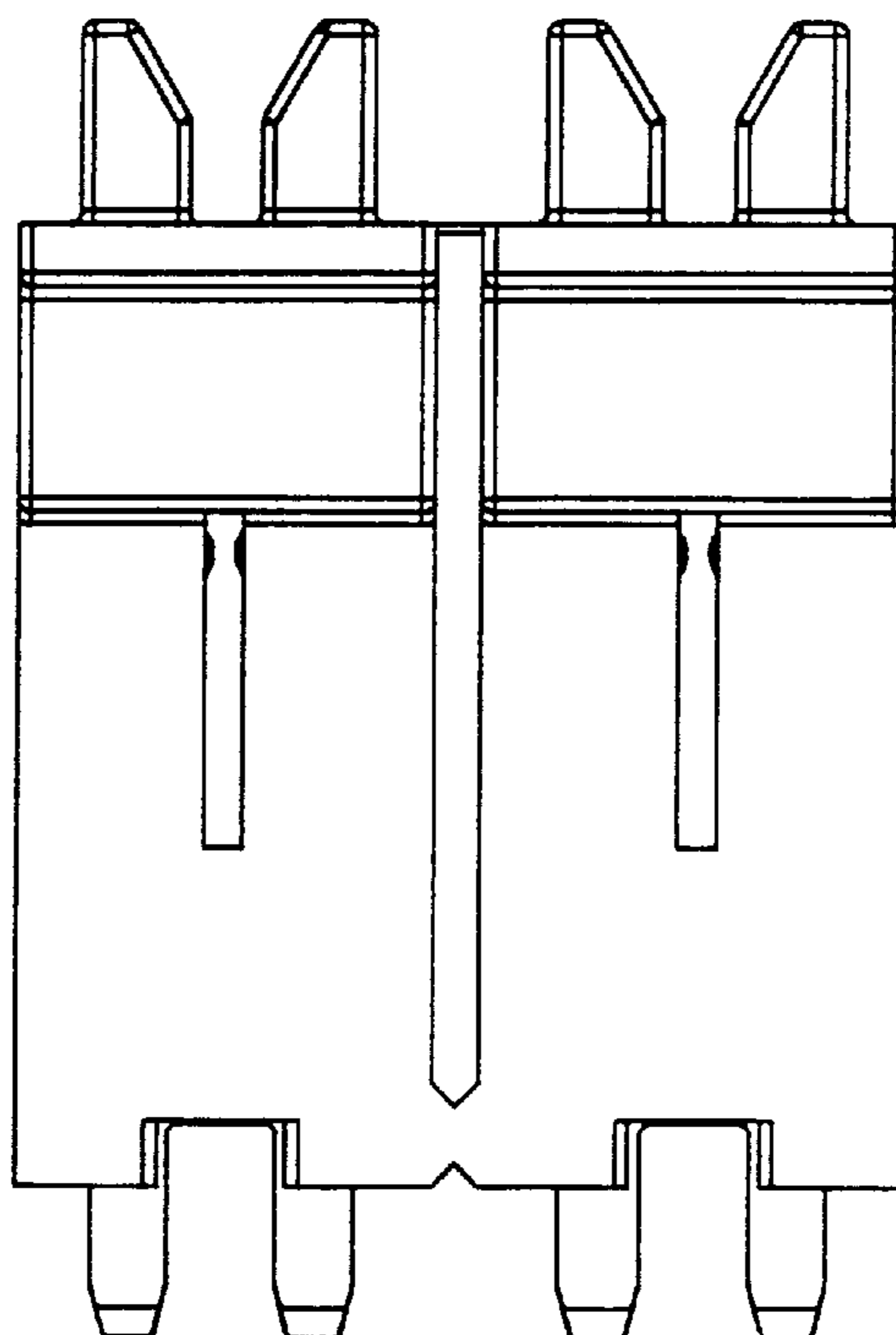
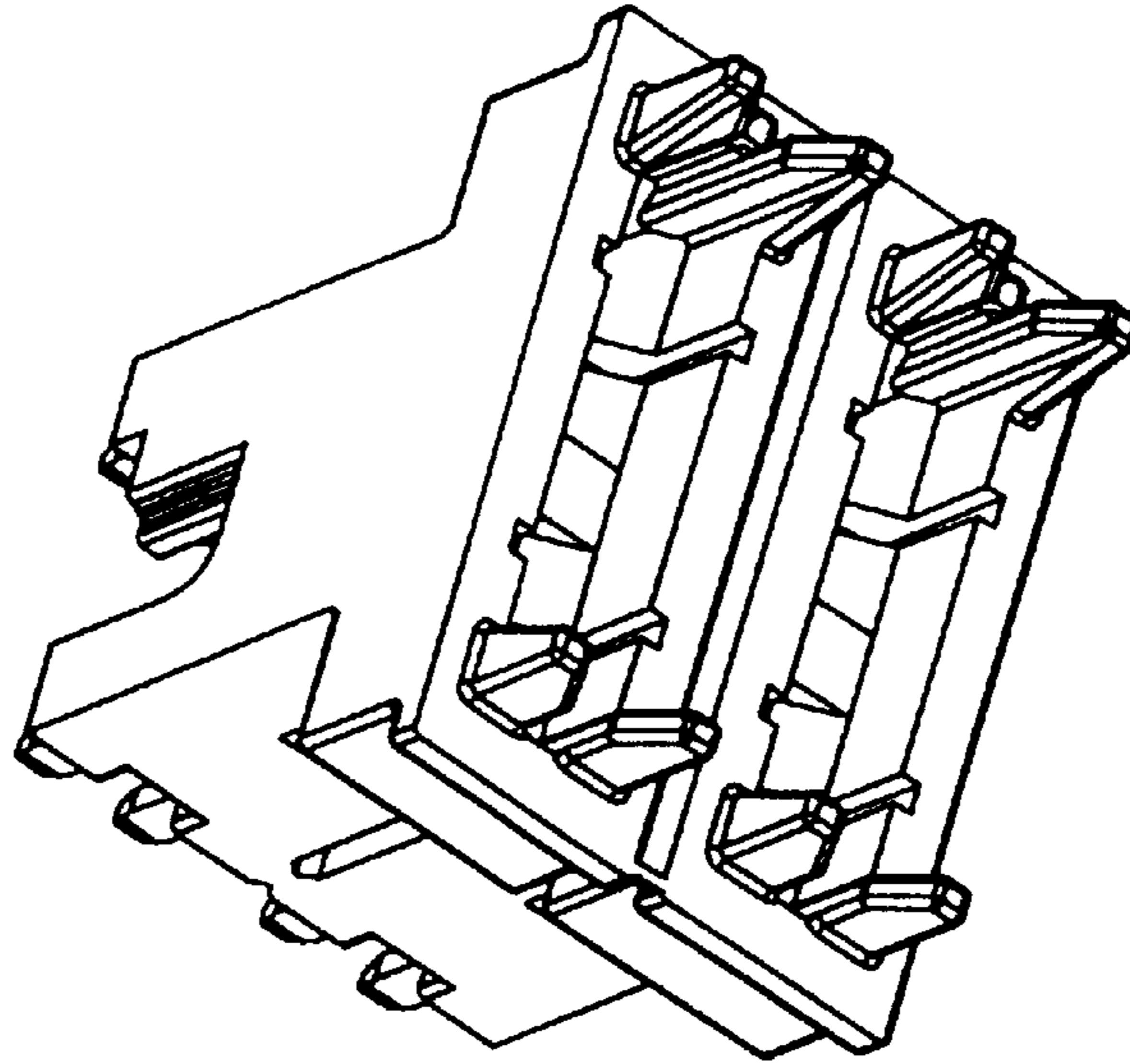


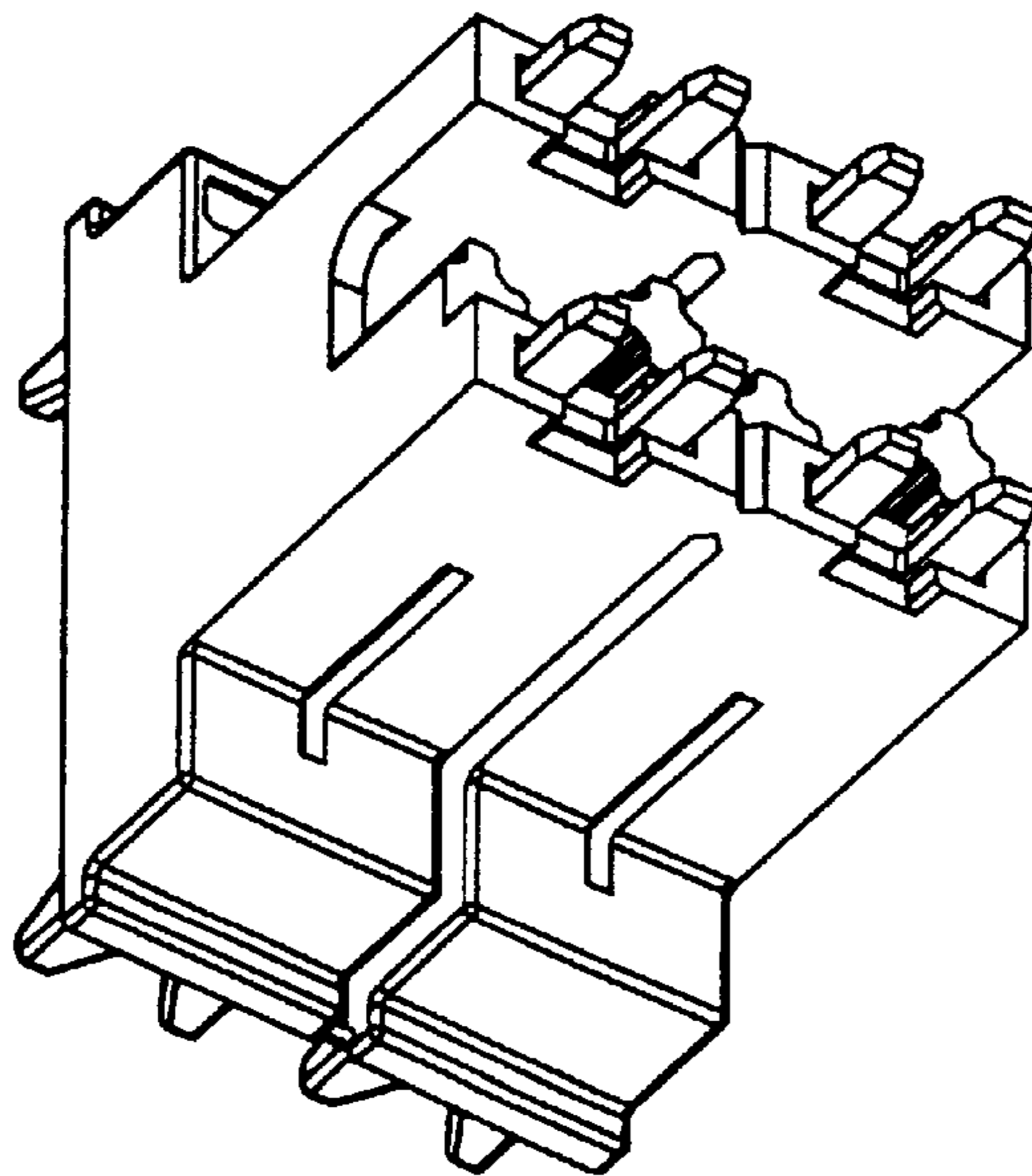
FIG. 6



F I G . 7



F I G . 8



F I G . 9

