



US00D462060S

(12) **United States Design Patent**
Fox

(10) **Patent No.: US D462,060 S**

(45) **Date of Patent: ** *Aug. 27, 2002**

(54) **KNURLED SLEEVE FOR CO-AXIAL CABLE CONNECTOR IN OPEN POSITION**

D437,826 S * 2/2001 Montena D13/133
D440,539 S * 4/2001 Montena D13/133
D440,939 S * 4/2001 Montena D13/133

(75) Inventor: **Michael Fox**, Syracuse, NY (US)

OTHER PUBLICATIONS

(73) Assignee: **John Mezzalingua Associates, Inc.**,
East Syracuse, NY (US)

BNC Adapter (female-female) C4195B, Global Computer Supplies Catalog, Dec. 1993, p. 128.*

(*) Notice: This patent is subject to a terminal disclaimer.

* cited by examiner

(**) Term: **14 Years**

Primary Examiner—Robert M. Spear
(74) *Attorney, Agent, or Firm*—George R. McGuire;
Hancock & Estabrook, LLP

(21) Appl. No.: **29/151,639**

(57) **CLAIM**

(22) Filed: **Dec. 6, 2001**

The ornamental design for a knurled sleeve for co-axial cable connector in open position, as shown and described.

(51) **LOC (7) Cl. 13-03**

DESCRIPTION

(52) **U.S. Cl. D13/154**

(58) **Field of Search** D13/133, 149,
D13/151, 154; 439/578, 583, 584, 585

FIG. 1 is a perspective view of a knurled sleeve for co-axial cable connector in open position showing my new design. FIG. 2 is a side elevational view thereof all other sides, top and bottom plan views being identical thereto; FIG. 3 is a nut view thereof; and, FIG. 4 is a cable end view thereof.

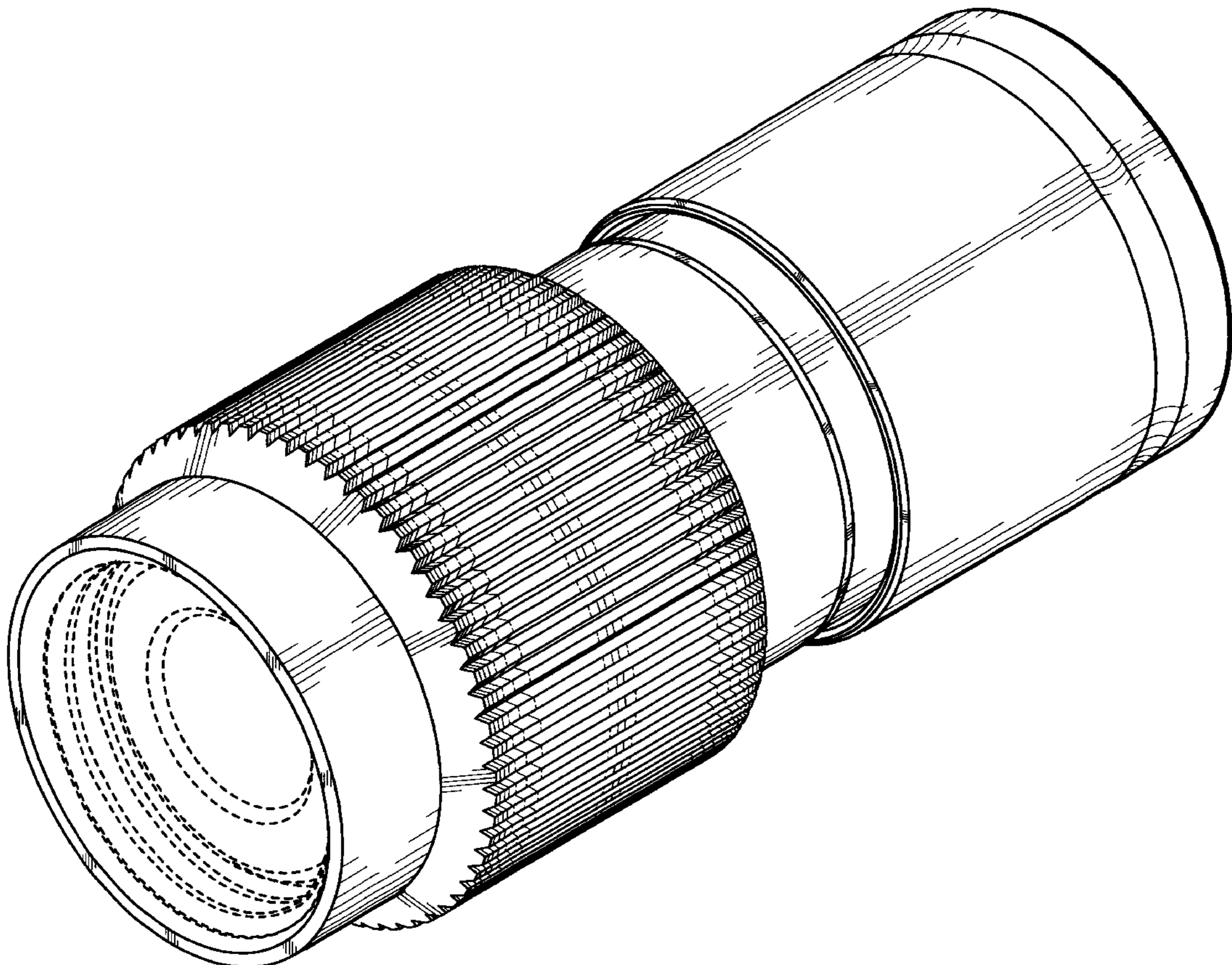
(56) **References Cited**

The broken lines in the drawings depict environmental structure, which forms no part of the claimed design.

U.S. PATENT DOCUMENTS

D223,109 S * 3/1972 Murphy D13/133
D277,583 S * 2/1985 Kono D13/133
4,579,418 A * 4/1986 Parchet et al. D13/133 X
D328,279 S * 7/1992 Couto et al. D13/133
D436,076 S * 1/2001 Montena D13/133

1 Claim, 3 Drawing Sheets



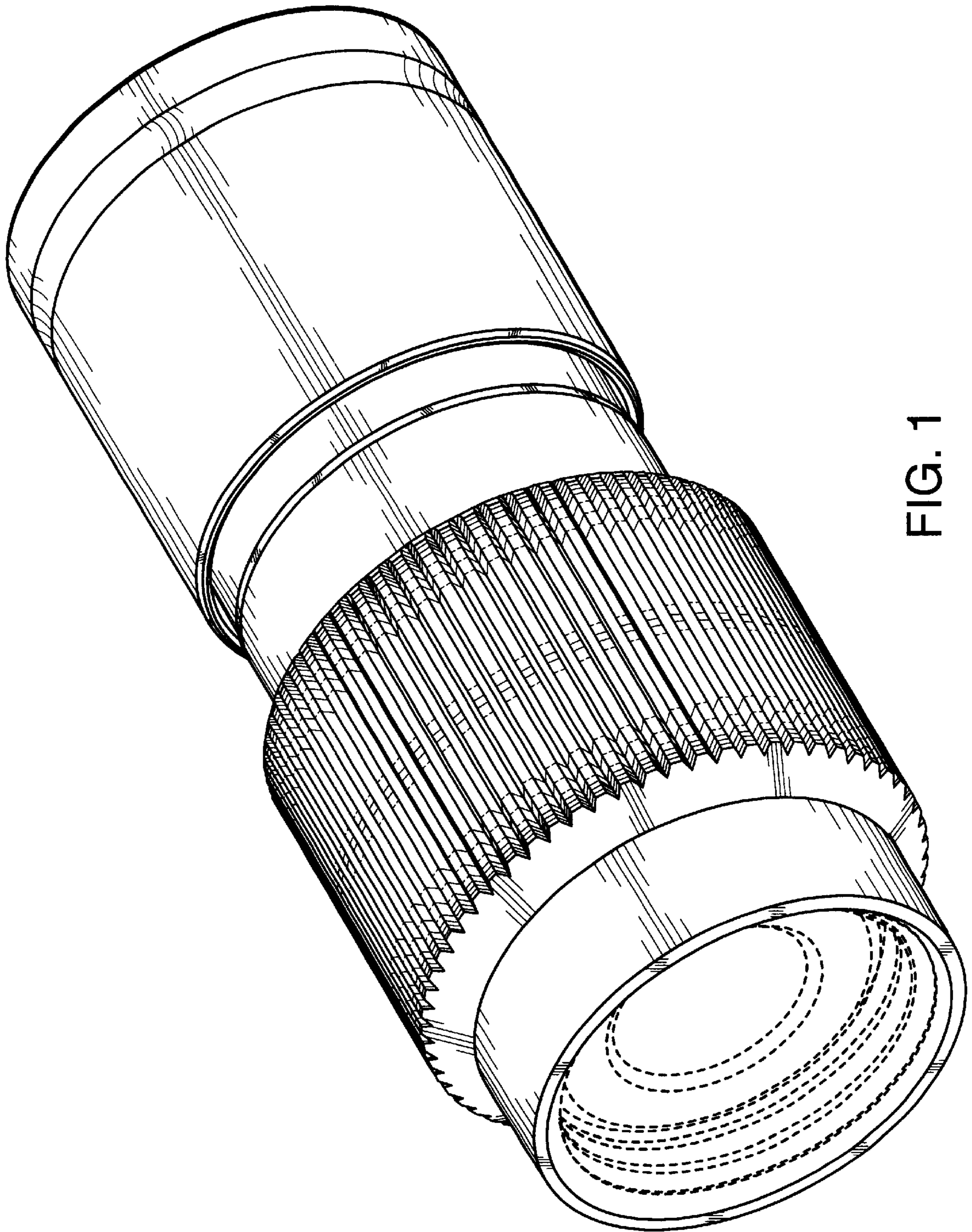


FIG. 1

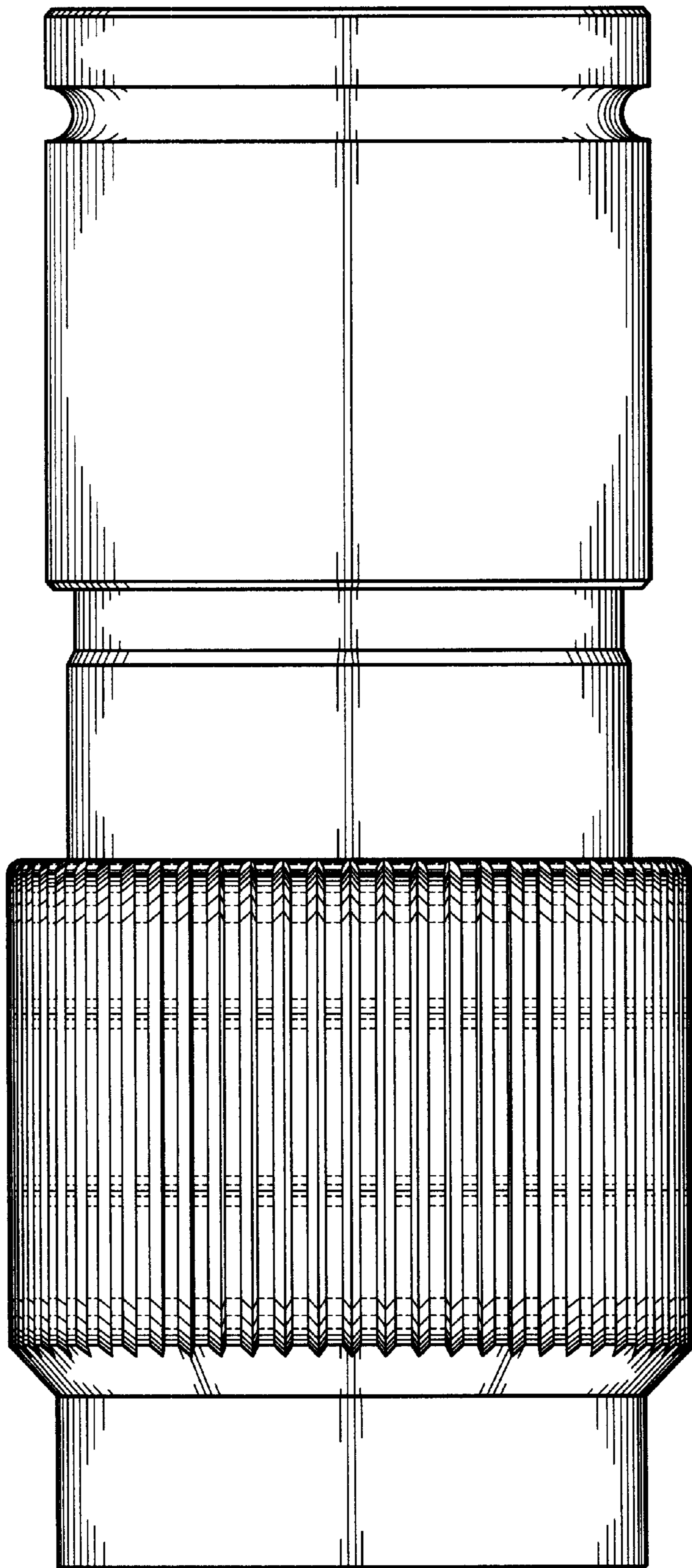


FIG. 2

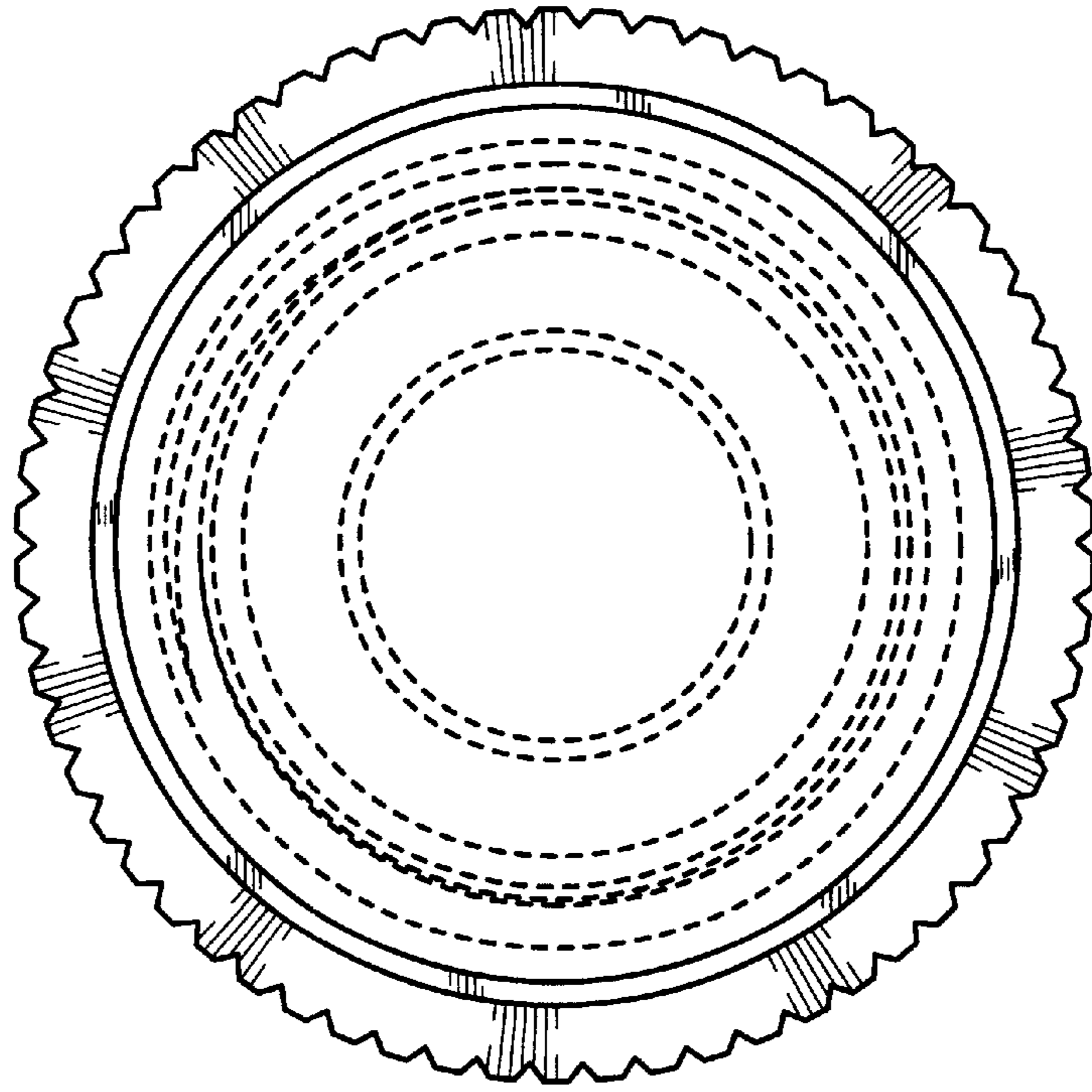


FIG. 3

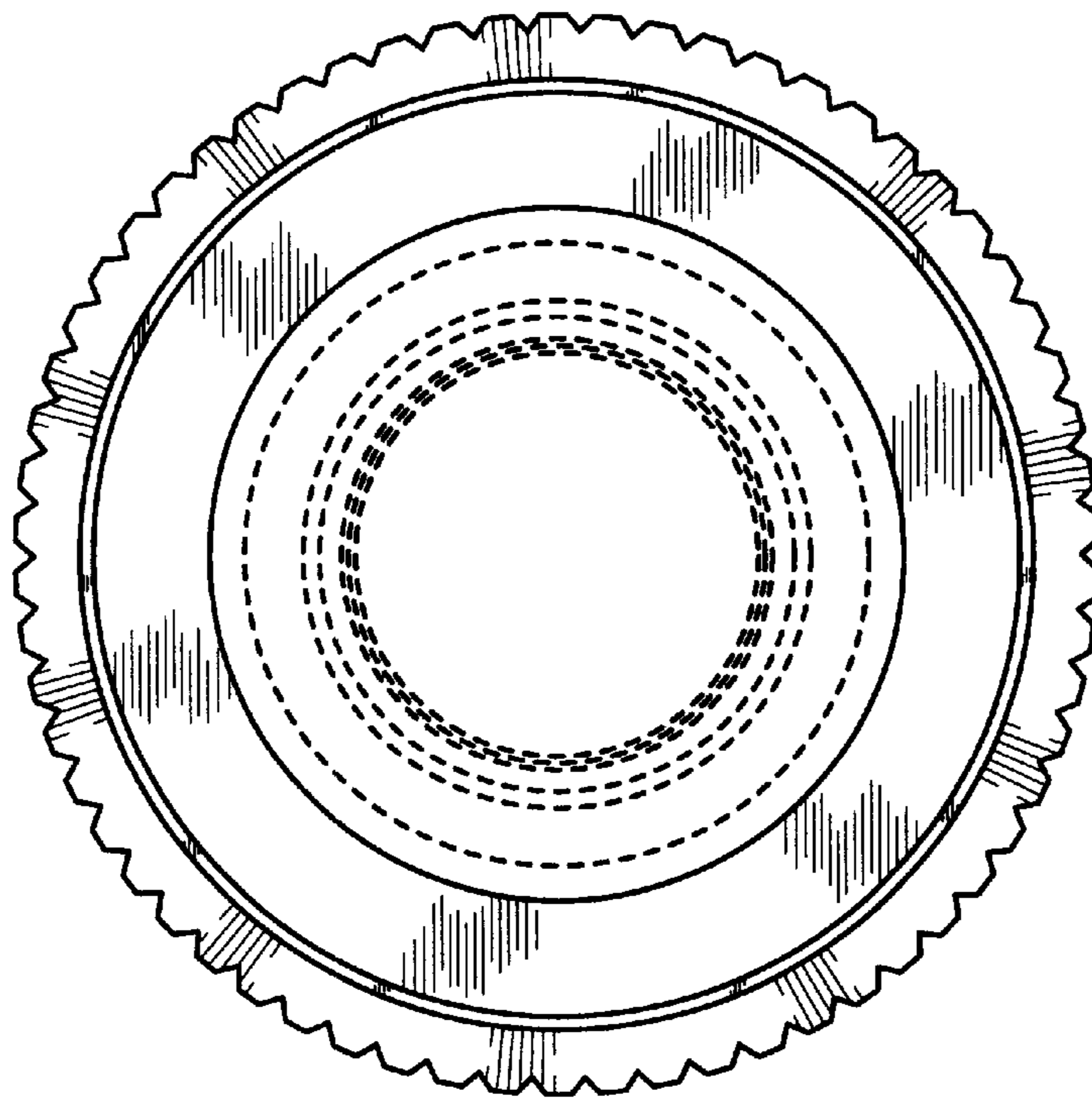


FIG. 4