



US00D462058S

(12) **United States Design Patent**
Montena

(10) **Patent No.:** **US D462,058 S**

(45) **Date of Patent:** **** Aug. 27, 2002**

(54) **CO-AXIAL CABLE CONNECTOR**

(75) Inventor: **Noah Montena**, Syracuse, NY (US)

(73) Assignee: **John Mezzalingua Associates, Inc.**,
East Syracuse, NY (US)

(**) Term: **14 Years**

(21) Appl. No.: **29/148,902**

(22) Filed: **Sep. 28, 2001**

(51) **LOC (7) Cl.** **13-03**

(52) **U.S. Cl.** **D13/151; D13/133**

(58) **Field of Search** **D13/133, 151,**
D13/154; 439/578, 583, 584, 585; 174/75 C

(56) **References Cited**

U.S. PATENT DOCUMENTS

- 2,258,737 A 10/1941 Browne
- 3,184,706 A 5/1965 Atkins
- 3,275,913 A 9/1966 Blanchard
- 3,355,698 A 11/1967 Keller
- 3,406,373 A 10/1968 Forney
- 3,498,647 A 3/1970 Schroder
- 3,629,792 A 12/1971 Dorrell
- 3,671,922 A 6/1972 Zerlin
- 3,710,005 A 1/1973 French
- 3,845,453 A 10/1974 Hemmer
- 3,915,539 A 10/1975 Collins
- 3,936,132 A 2/1976 Hutter
- 3,985,418 A 10/1976 Spinner
- 4,046,451 A 9/1977 Juds
- 4,053,200 A 10/1977 Pugner
- 4,059,330 A 11/1977 Shirey
- 4,126,372 A 11/1978 Hashimoto
- 4,168,921 A 9/1979 Blanchard
- 4,227,765 A 10/1980 Neumann
- 4,280,749 A 7/1981 Hemmer
- 4,339,166 A 7/1982 Dayton
- 4,346,958 A 8/1982 Blanchard
- 4,373,767 A 2/1983 Cairns
- 4,400,050 A 8/1983 Hayward
- 4,408,822 A 10/1983 Nikitas
- 4,444,453 A 4/1984 Kirby
- 4,484,792 A 11/1984 Tengler

- 4,533,191 A 8/1985 Blackwood
- 4,545,637 A 10/1985 Bosshard
- 4,575,274 A 3/1986 Hayward
- 4,583,811 A 4/1986 McMills
- 4,596,435 A 6/1986 Bickford
- 4,600,263 A 7/1986 DeChamp
- 4,614,390 A 9/1986 Baker
- 4,645,281 A 2/1987 Burger
- 4,650,228 A 3/1987 McMills
- 4,655,159 A 4/1987 McMills
- 4,660,921 A 4/1987 Hauver
- 4,668,043 A 5/1987 Saba
- 4,674,818 A 6/1987 McMills
- 4,676,577 A 6/1987 Szegda
- 4,691,976 A 9/1987 Cowen
- 4,738,009 A 4/1988 Down
- 4,746,305 A 5/1988 Nomura
- 4,747,786 A 5/1988 Hayashi
- 4,755,152 A 7/1988 Elliot
- 4,806,116 A 2/1989 Ackerman
- 4,813,886 A 3/1989 Roos
- 4,834,675 A 5/1989 Samchisen

(List continued on next page.)

Primary Examiner—Joel Sincavage
(74) *Attorney, Agent, or Firm*—George R. McGuire;
Hancock & Estabrook, LLP

(57) **CLAIM**

The ornamental design for a co-axial cable connector, as shown and described.

DESCRIPTION

FIG. 1 is a perspective view of a new and ornamental design for a co-axial cable connector in its closed position, the internal details thereof being illustrated in phantom for enviromental purposes only and form no part of the claimed design;

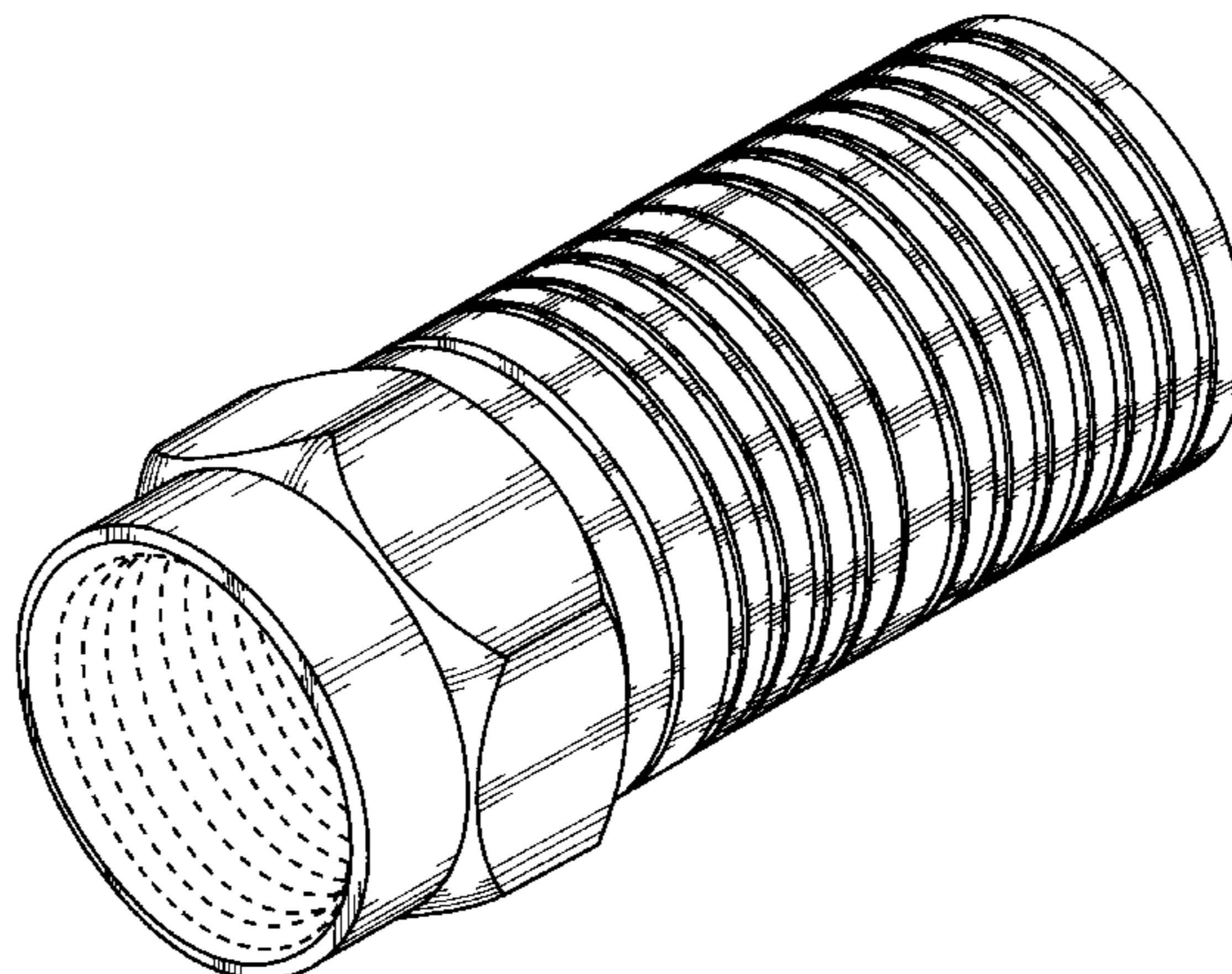
FIG. 2 is a side elevational view thereof;

FIG. 3 is a nut end view thereof;

FIG. 4 is a cable end view thereof; and,

FIG. 5 is a perspective view of the co-axial cable connector in its open position.

1 Claim, 4 Drawing Sheets



US D462,058 S

Page 2

U.S. PATENT DOCUMENTS					
4,854,893 A	8/1989	Morris	5,295,864 A	3/1994	Birch
4,857,014 A	8/1989	Alf	5,316,494 A	5/1994	Flanagan
4,869,679 A	9/1989	Szegda	5,342,218 A	8/1994	McMills
4,902,246 A	2/1990	Samchisen	5,371,819 A	12/1994	Szegda
4,906,207 A	3/1990	Banning	5,371,821 A	12/1994	Szegda
4,923,412 A	5/1990	Morris	5,371,827 A	12/1994	Szegda
4,925,403 A	5/1990	Zorzy	5,393,244 A	2/1995	Szegda
4,929,188 A	5/1990	Lionetto	5,431,583 A	7/1995	Szegda
4,990,104 A	2/1991	Schieferly	5,444,810 A	8/1995	Szegda
4,990,105 A	2/1991	Karlovich	5,455,548 A	10/1995	Grandchamp
4,990,106 A	2/1991	Szegda	5,456,611 A	10/1995	Henry
5,002,503 A	3/1991	Campbell	5,456,614 A	10/1995	Szegda
5,021,010 A	6/1991	Wright	5,466,173 A	11/1995	Down
5,024,606 A	6/1991	Ming-Hwa	5,470,257 A	11/1995	Szegda
5,037,328 A	8/1991	Karlovich	5,494,454 A	2/1996	Johnsen
5,062,804 A	11/1991	Jamet	5,499,934 A *	3/1996	Jacobsen et al. 439/585
5,066,248 A	11/1991	Gaver, Jr.	5,501,616 A	3/1996	Holliday
5,073,129 A	12/1991	Szegda	5,525,076 A	6/1996	Down
5,083,943 A	1/1992	Tarrant	5,542,861 A	8/1996	Anhalt
5,127,853 A	7/1992	McMills	5,548,088 A	8/1996	Gray
5,131,862 A	7/1992	Gershfeld	5,598,132 A	1/1997	Stabile
5,141,451 A	8/1992	Down	5,651,699 A	7/1997	Holliday
5,181,161 A	1/1993	Hirose	5,667,405 A	9/1997	Holliday
5,195,906 A	3/1993	Szegda	5,975,951 A	11/1999	Burris
5,205,761 A	4/1993	Nilsson	5,997,350 A	12/1999	Burris
5,207,602 A	5/1993	McMills	6,032,358 A	3/2000	Wild
5,217,391 A	6/1993	Fisher, Jr.	6,102,737 A	8/2000	Gohdes
5,217,393 A	6/1993	Del Negro	D440,939 S	4/2001	Montena
5,269,701 A	12/1993	Liebfried	6,210,222 B1 *	4/2001	Langham et al. 439/583
5,283,853 A	2/1994	Szegda			

* cited by examiner

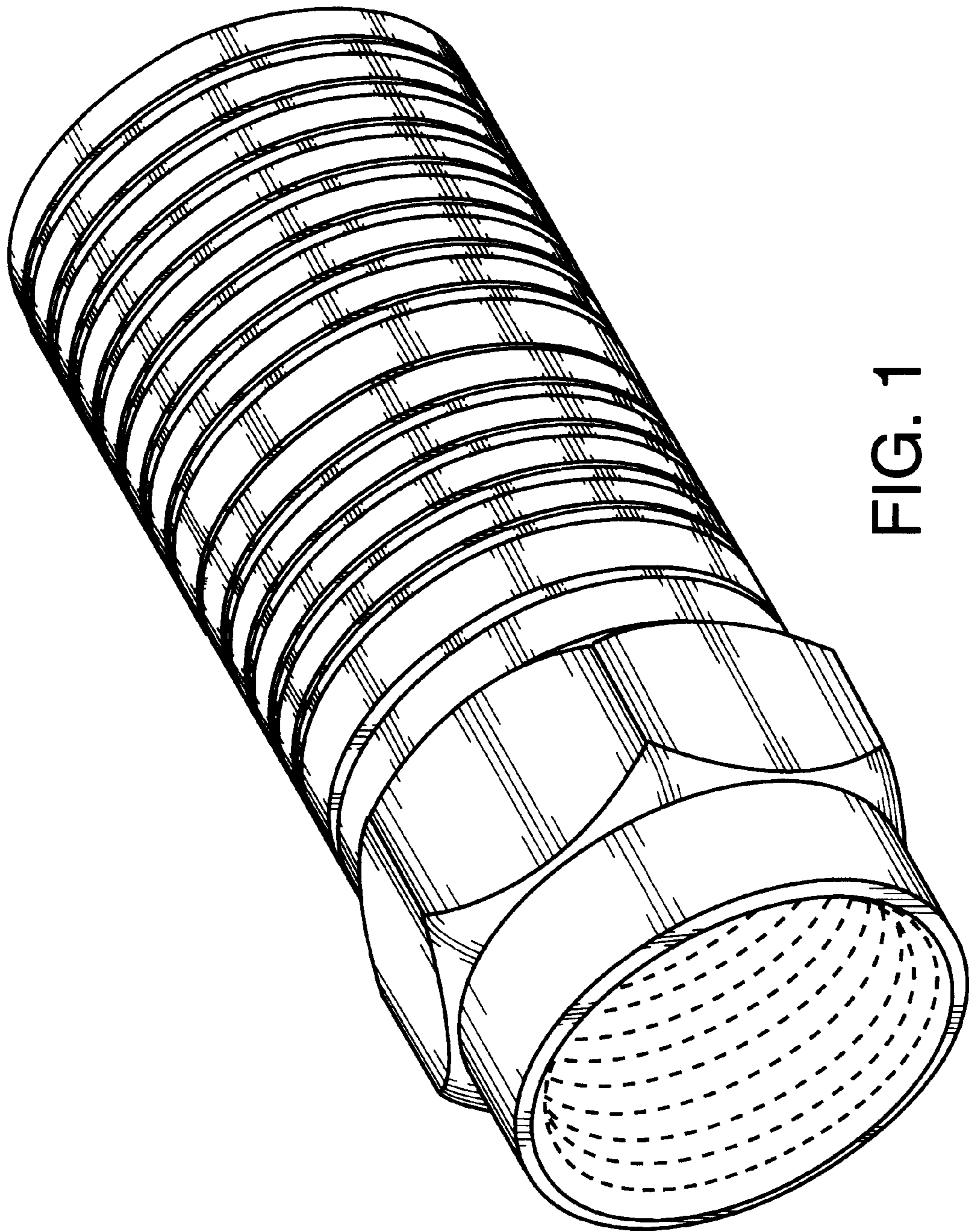


FIG. 1

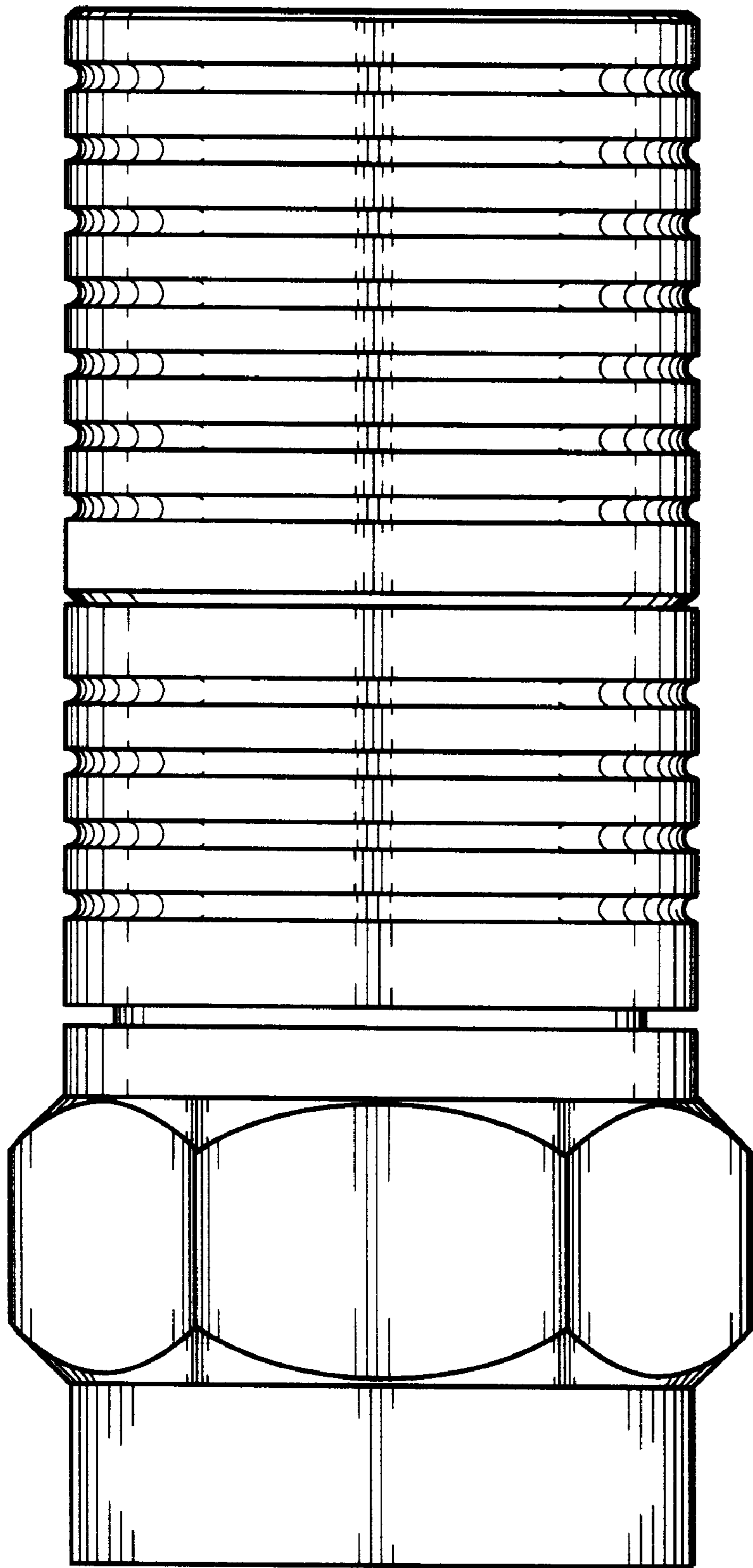


FIG. 2

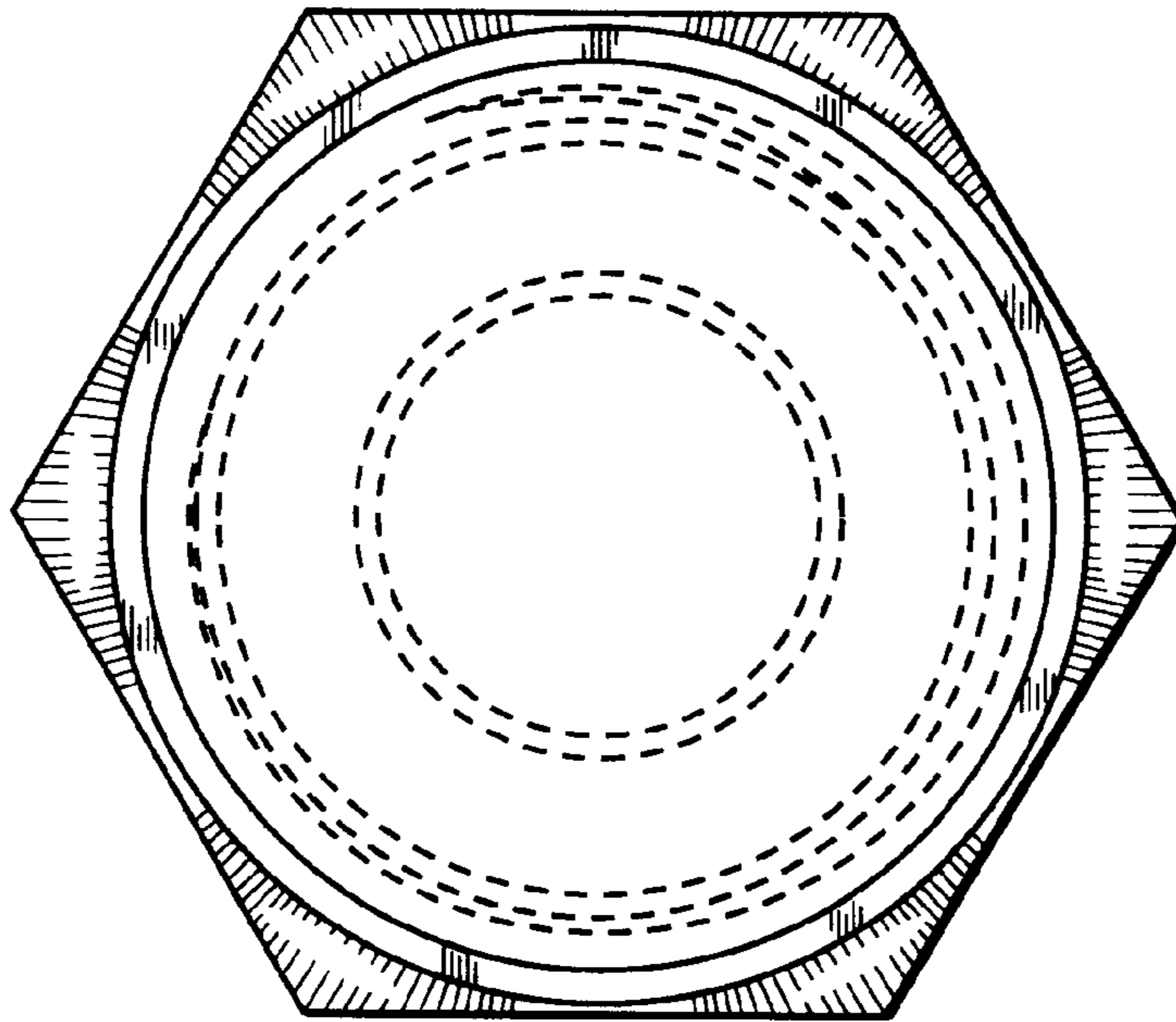


FIG. 3

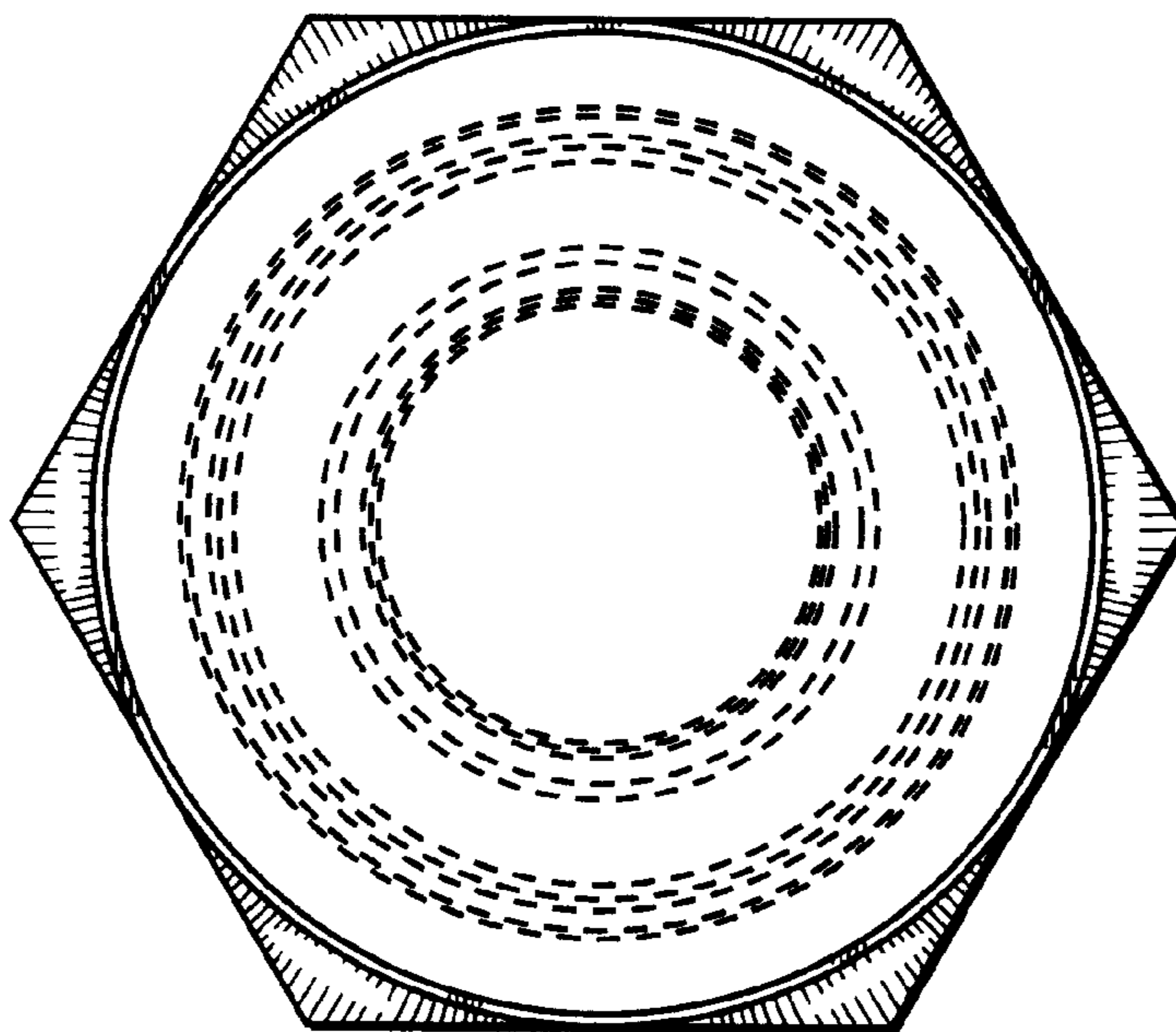


FIG. 4

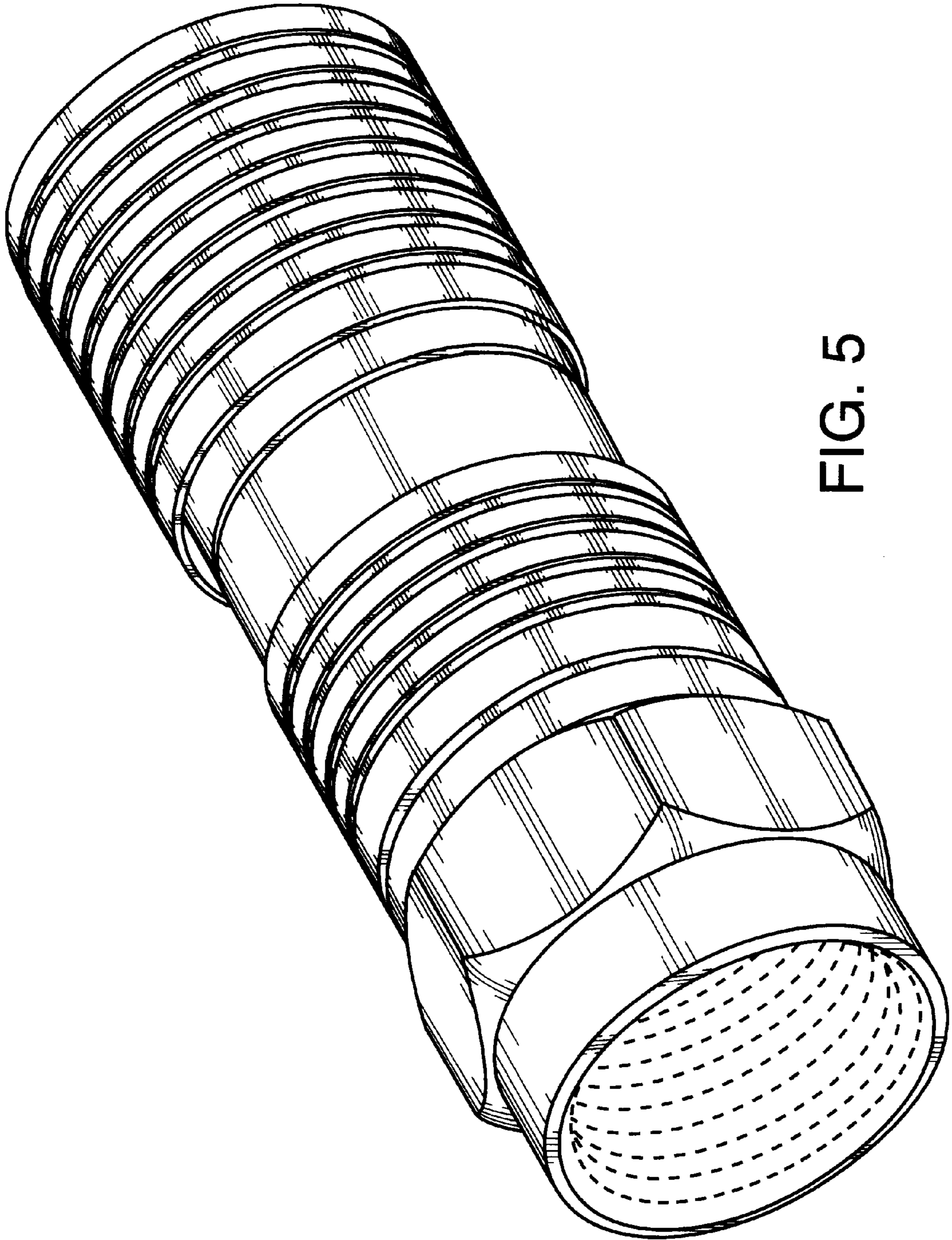


FIG. 5