



US00D462050S

(12) **United States Design Patent**
Smith et al.

(10) **Patent No.: US D462,050 S**

(45) **Date of Patent: ** Aug. 27, 2002**

(54) **FUEL CELL SYSTEM ENCLOSURE**

(75) Inventors: **Hugh Smith**, Canton; **Ronald Vish**,
West Roxbury, both of MA (US)

(73) Assignee: **Acumentrics Corporation**, Westwood,
MA (US)

(**) Term: **14 Years**

(21) Appl. No.: **29/132,683**

(22) Filed: **Nov. 13, 2000**

(51) **LOC (7) Cl.** **13-02**

(52) **U.S. Cl.** **D13/101; D13/103**

(58) **Field of Search** **D13/101, 103,**
D13/114; D23/351, 352; 429/30, 12, 13;
261/29; 165/122

(56) **References Cited**

U.S. PATENT DOCUMENTS

4,351,781	A	*	9/1982	Blatter	261/29
D391,359	S	*	2/1998	Teng et al	D23/412
5,763,114	A	*	6/1998	Khandkar et al.	429/20
6,024,859	A	*	2/2000	Hsu	205/343
6,232,005	B1	*	5/2001	Pettit	429/19

6,265,092	B1	*	7/2001	Meltser et al.	429/12
6,274,258	B1	*	8/2001	Chen	429/13
6,294,128	B1	*	9/2001	Crosbie	264/618
6,296,963	B1	*	10/2001	Nanjo	429/30 X
6,322,920	B1	*	11/2001	Tomson	429/34
2001/0053465	A1	*	12/2001	Fuglevand	429/9

* cited by examiner

Primary Examiner—Joel Sincavage

(74) *Attorney, Agent, or Firm*—Bromberg & Sunstein LLP

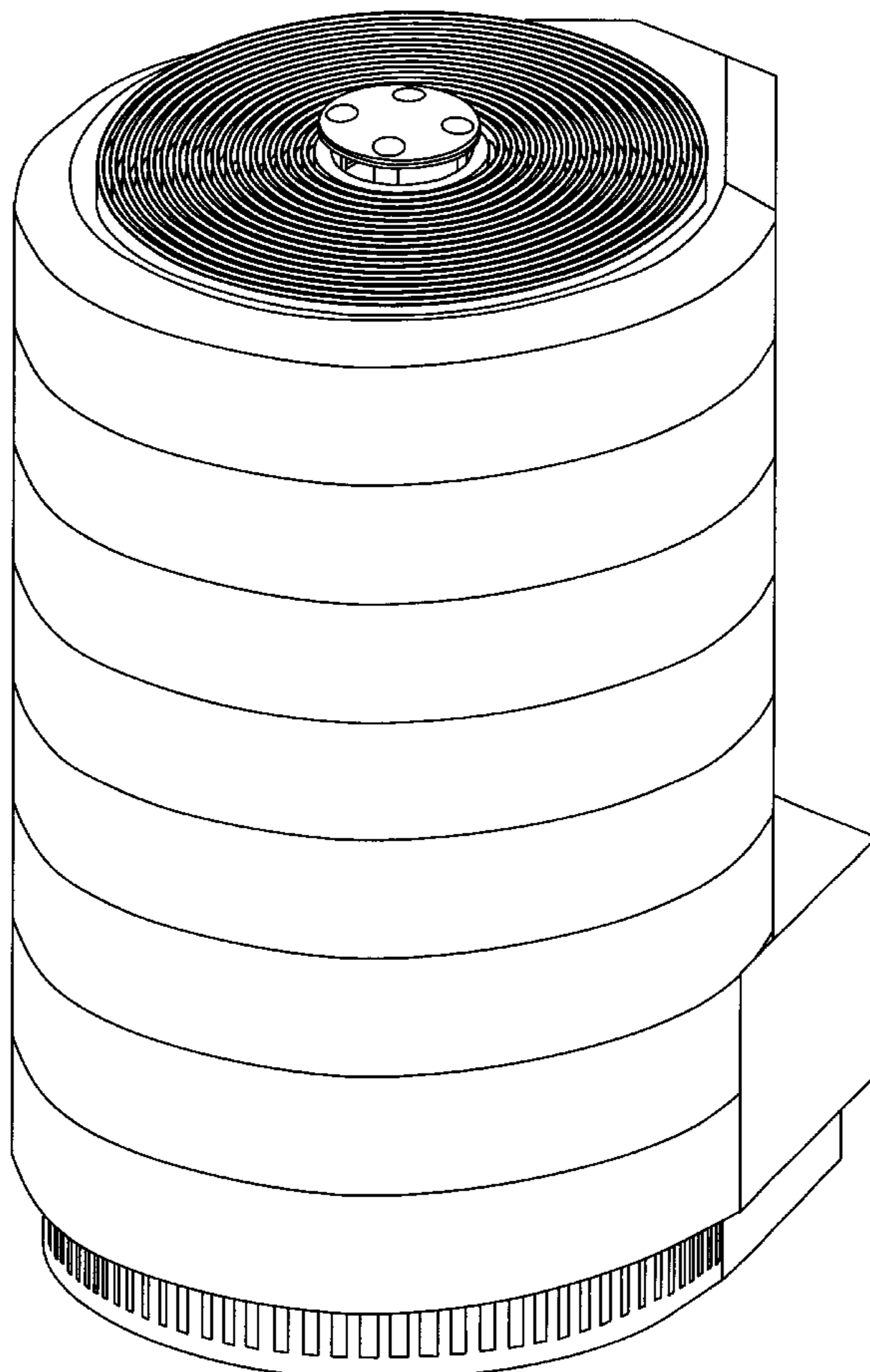
(57) **CLAIM**

The ornamental design for a fuel cell system enclosure, as shown and described.

DESCRIPTION

FIG. 1 is a perspective view of a fuel cell system enclosure, showing our new design;
FIG. 2 is a front view thereof;
FIG. 3 is a left side view thereof, the right side view being a mirror image;
FIG. 4 is a rear view thereof; and,
FIG. 5 is a top plan view thereof.
FIGS. 2 through 5 have been drawn on an enlarged scale with respect to FIG. 1.

1 Claim, 5 Drawing Sheets



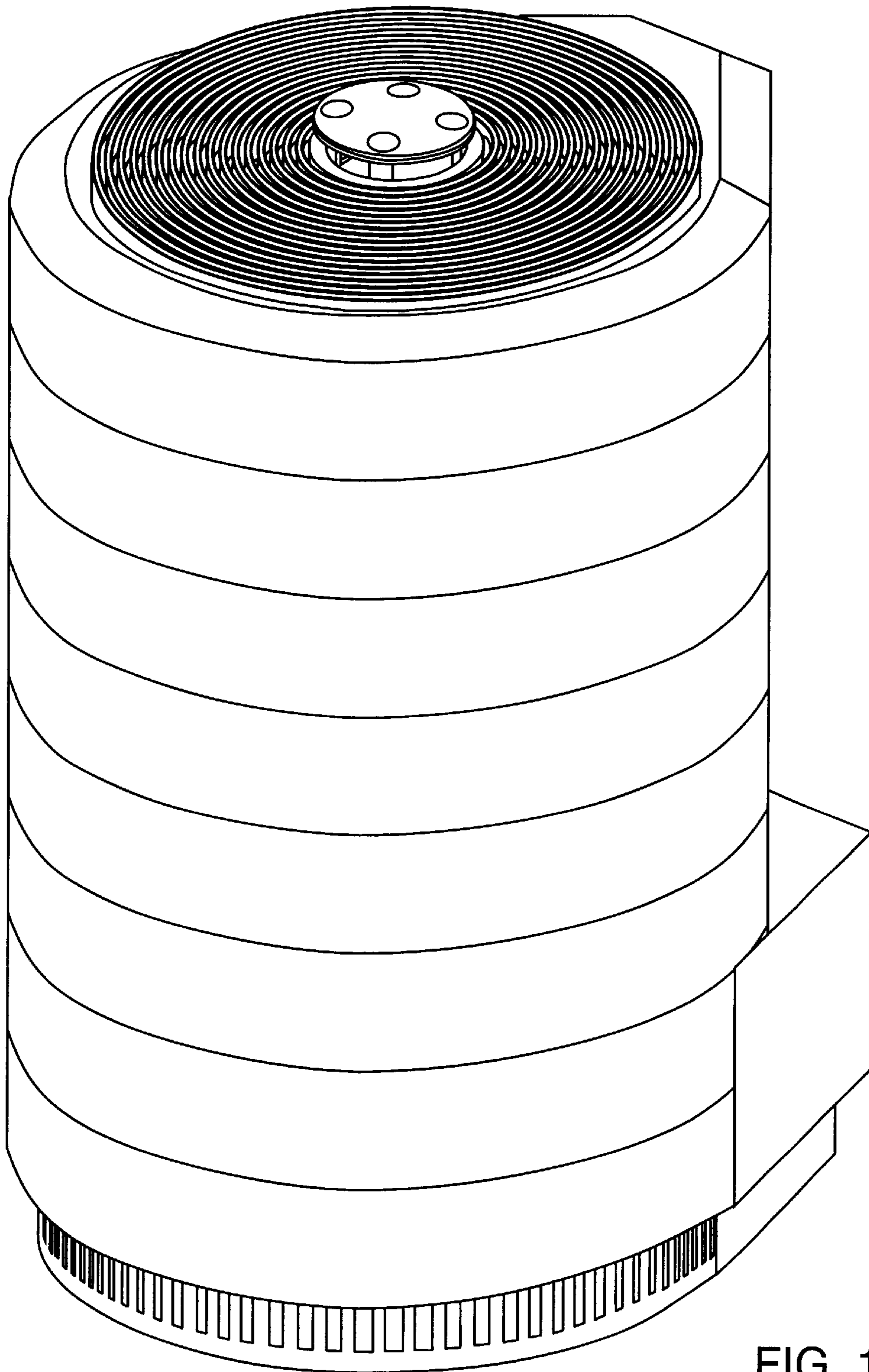


FIG. 1

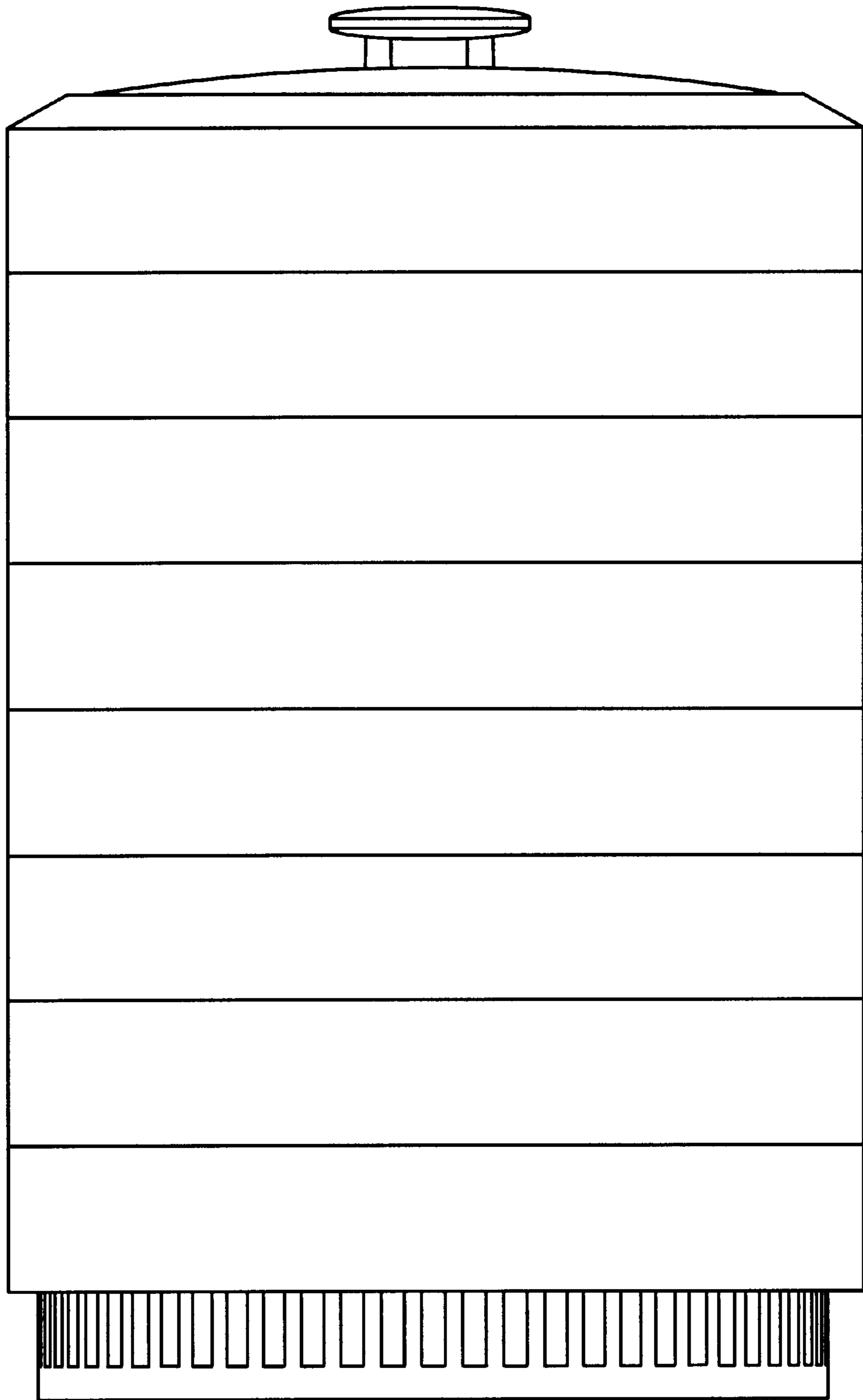


FIG. 2

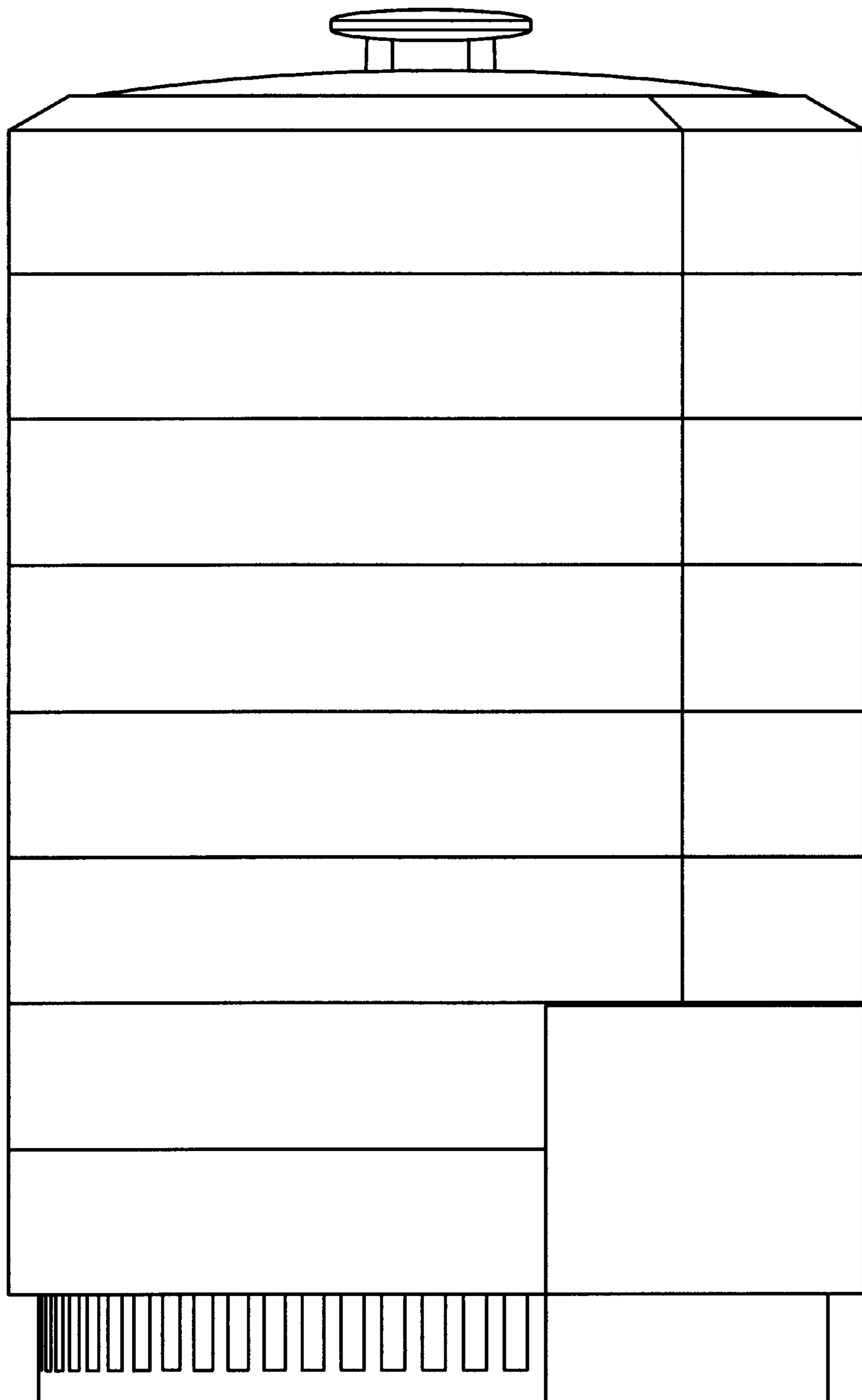


FIG. 3

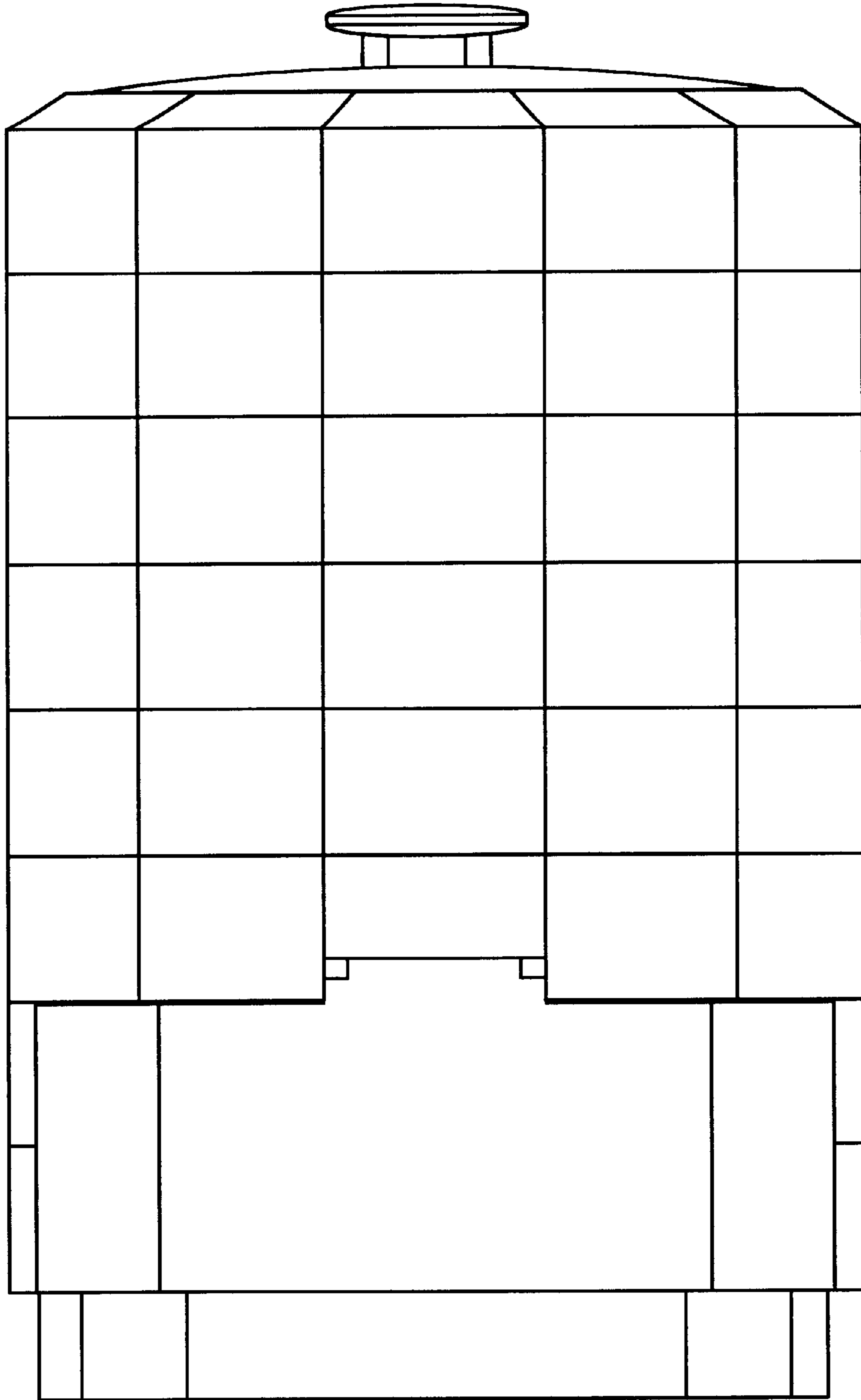


FIG. 4

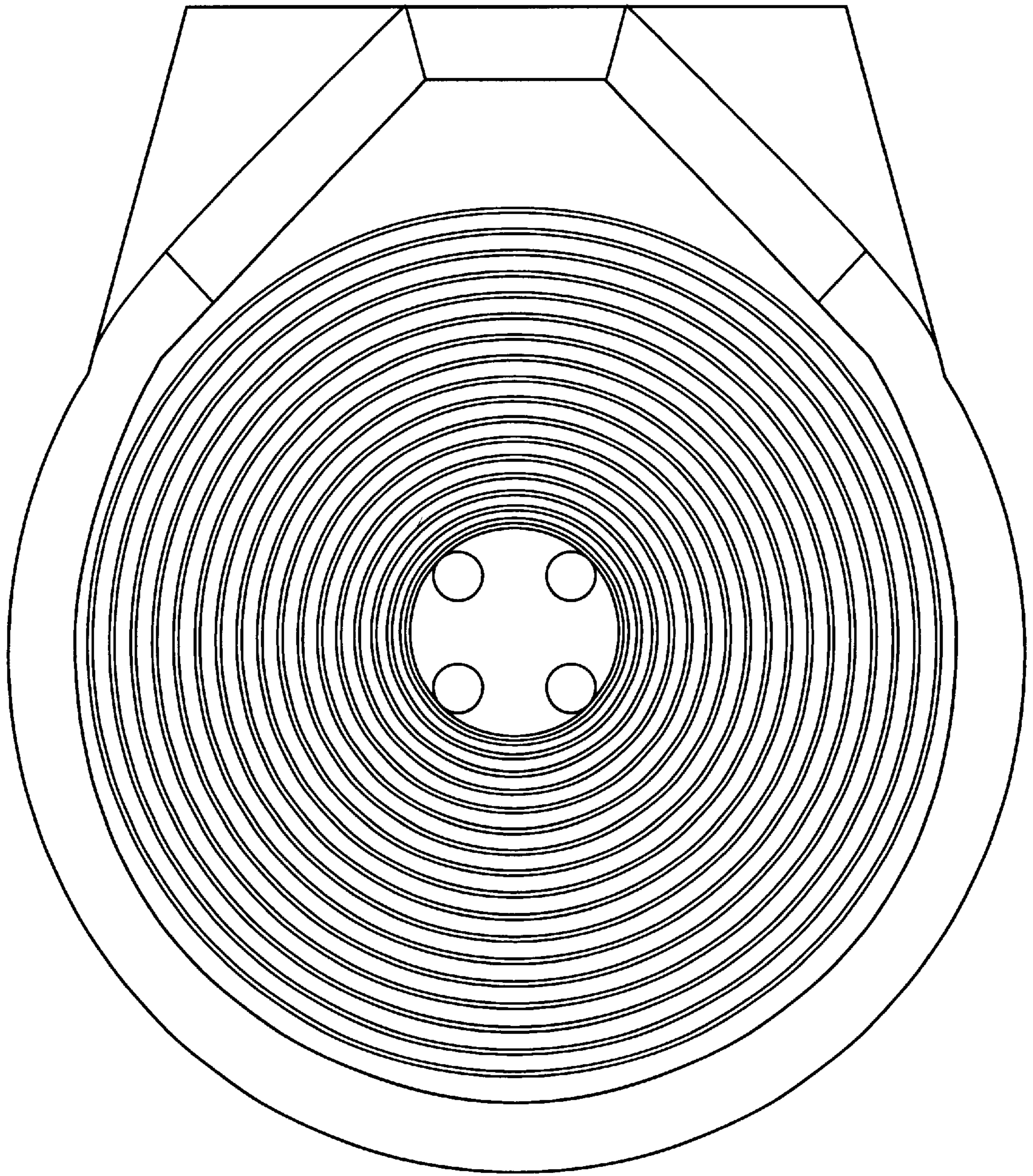


FIG. 5