



US00D462045S

(12) **United States Design Patent**
Rue

(10) **Patent No.:** **US D462,045 S**

(45) **Date of Patent:** **** Aug. 27, 2002**

(54) **TRUCK SUPPLEMENTARY OIL FILTER MOUNTING BRACKET**

Primary Examiner—Melody N. Brown
(74) *Attorney, Agent, or Firm*—Mark C. Jacobs

(76) **Inventor:** **Dean Rue**, 8942 Greenback La.,
Orangevale, CA (US) 95662

(57) **CLAIM**

The ornamental design for a truck supplementary oil filter mounting bracket, as shown and described.

(**) **Term:** **14 Years**

DESCRIPTION

(21) **Appl. No.:** **29/149,546**

(22) **Filed:** **Oct. 15, 2001**

(51) **LOC (7) Cl.** **12-06**

(52) **U.S. Cl.** **D12/223**

(58) **Field of Search** D12/223, 162;
D8/349, 354, 373; 248/317, 279.1, 329

FIG. 1 is a perspective view of a truck supplementary oil filter mounting bracket.

FIG. 2 is a right side view thereof, the left side view is a mirror image thereof.

FIG. 3 is a front view thereof.

FIG. 4 is a top plan view thereof.

FIG. 5 is a rear elevational view thereof; and,

FIG. 6 is a bottom plan view thereof.

(56) **References Cited**

U.S. PATENT DOCUMENTS

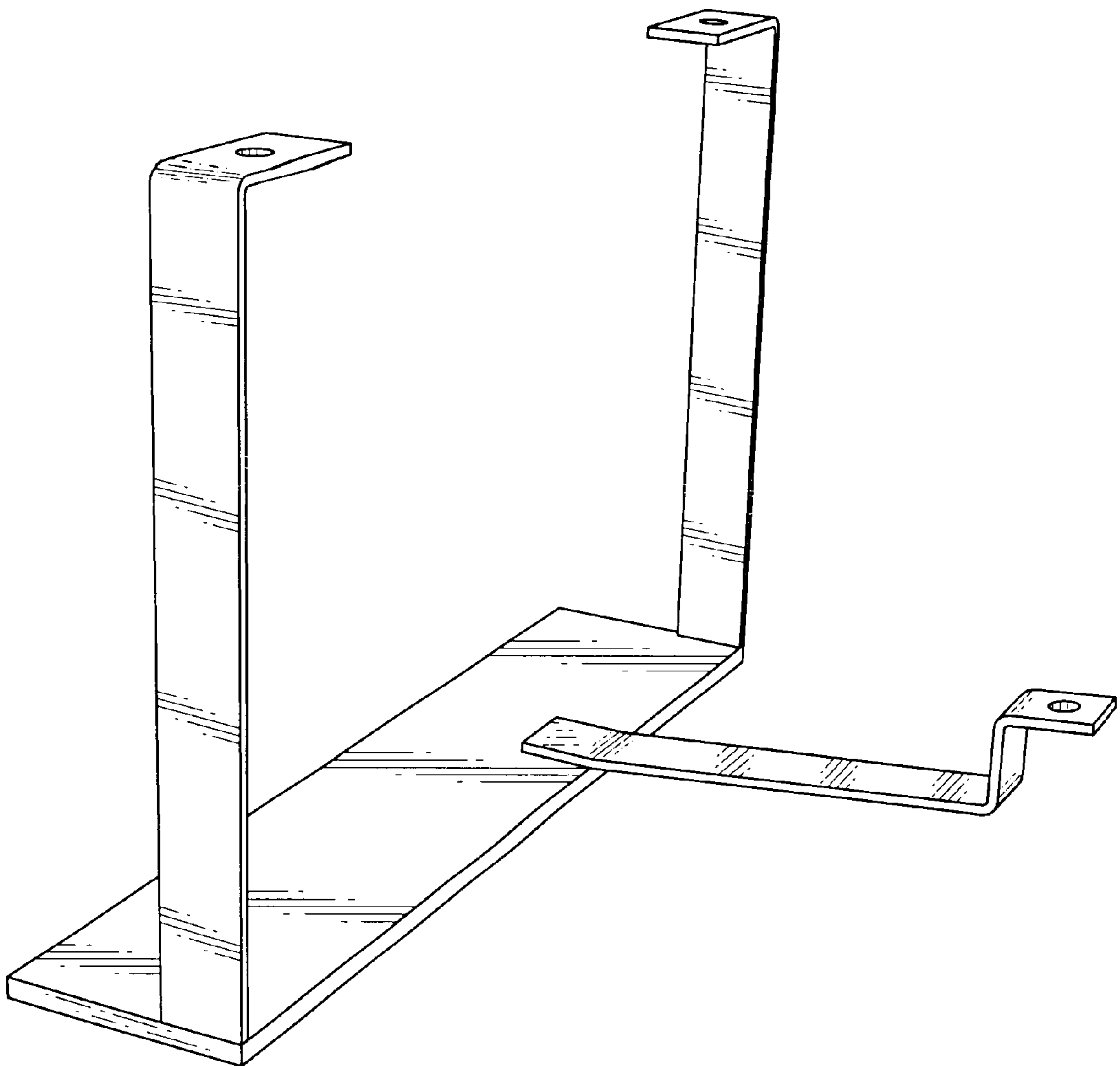
D382,849 S * 8/1997 Lindblom et al. D12/223

D423,910 S * 5/2000 Cyrell D8/349

D429,624 S * 8/2000 Johnson D8/354

* cited by examiner

1 Claim, 2 Drawing Sheets



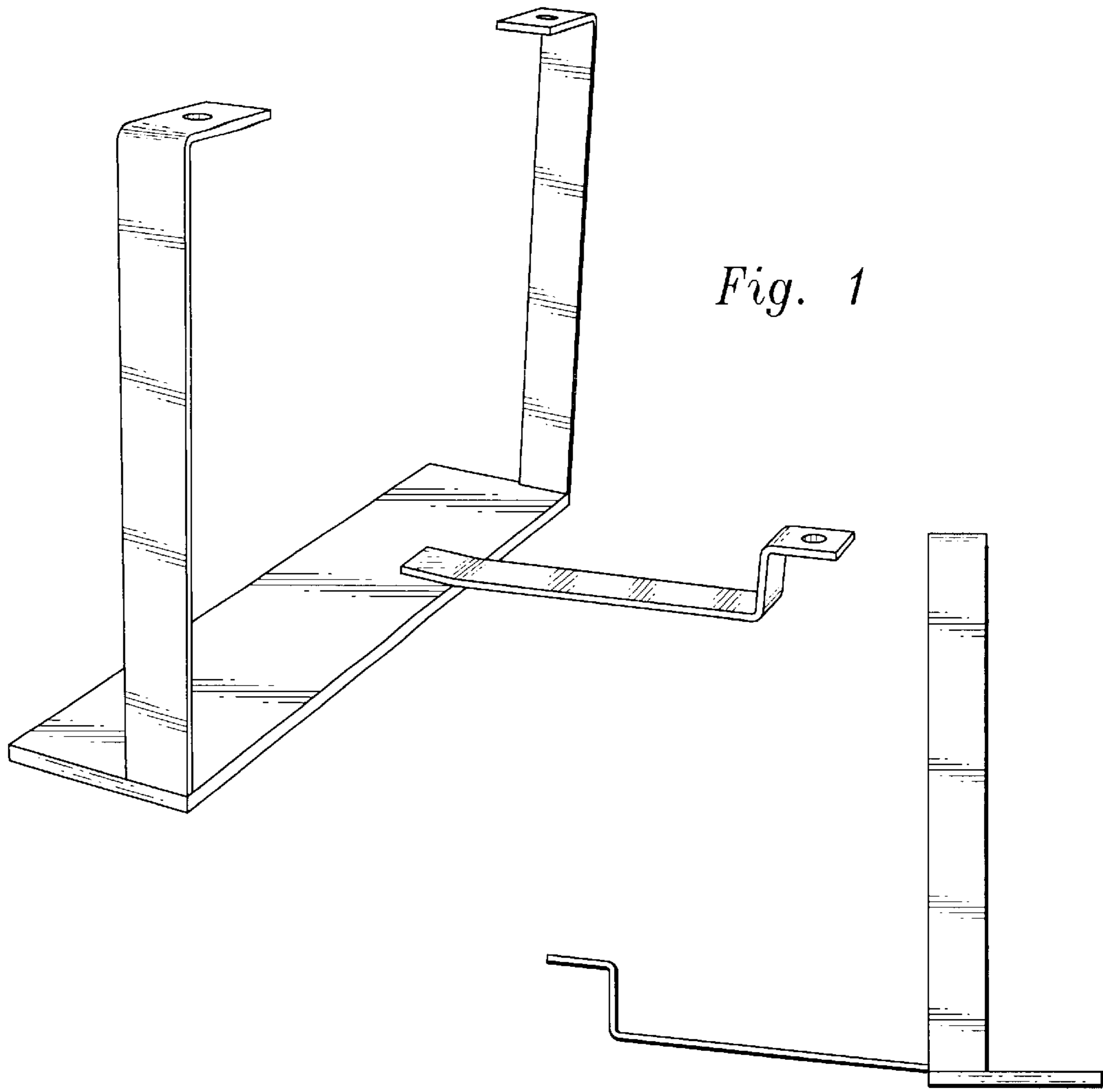


Fig. 1

Fig. 2

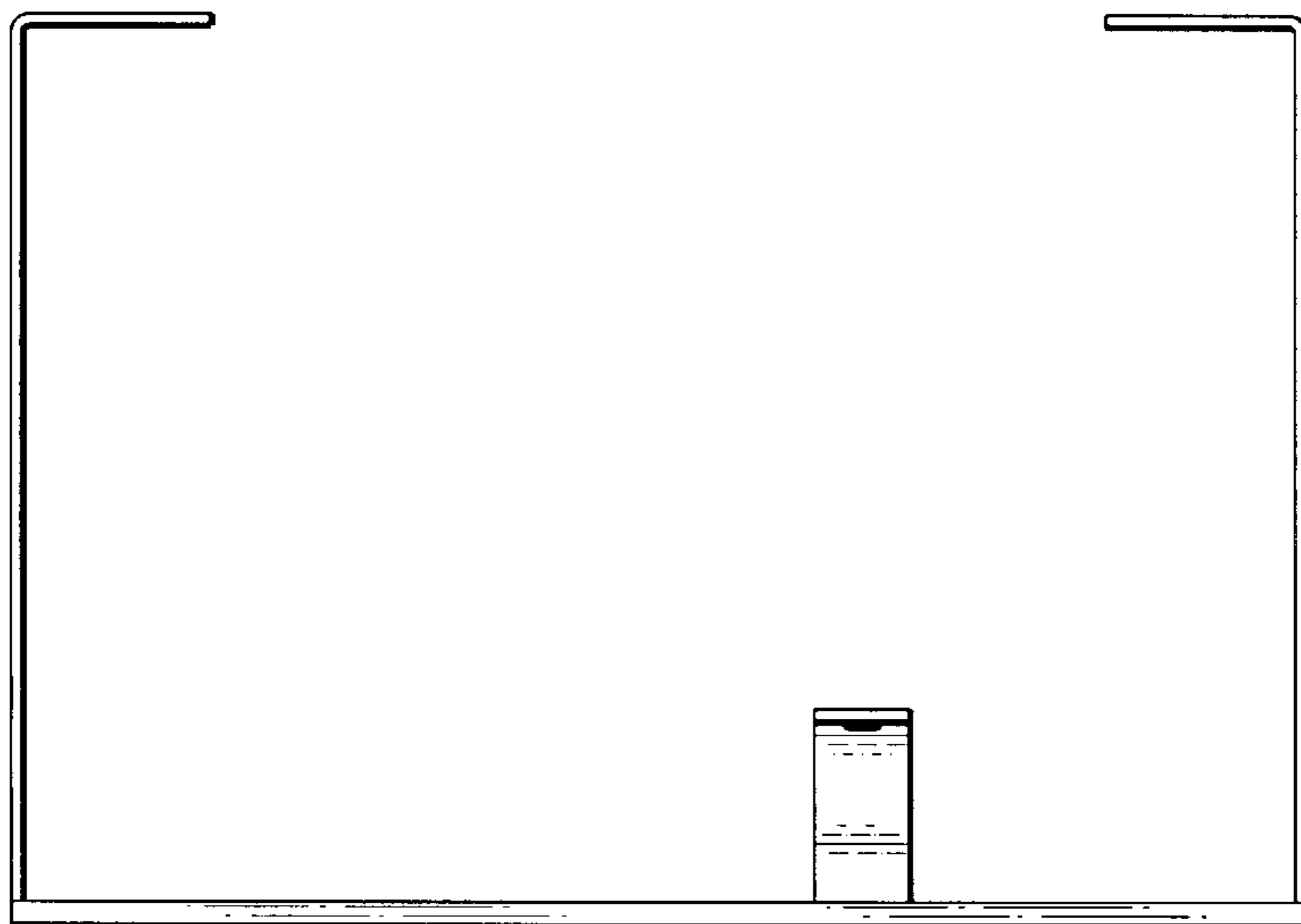


Fig. 3

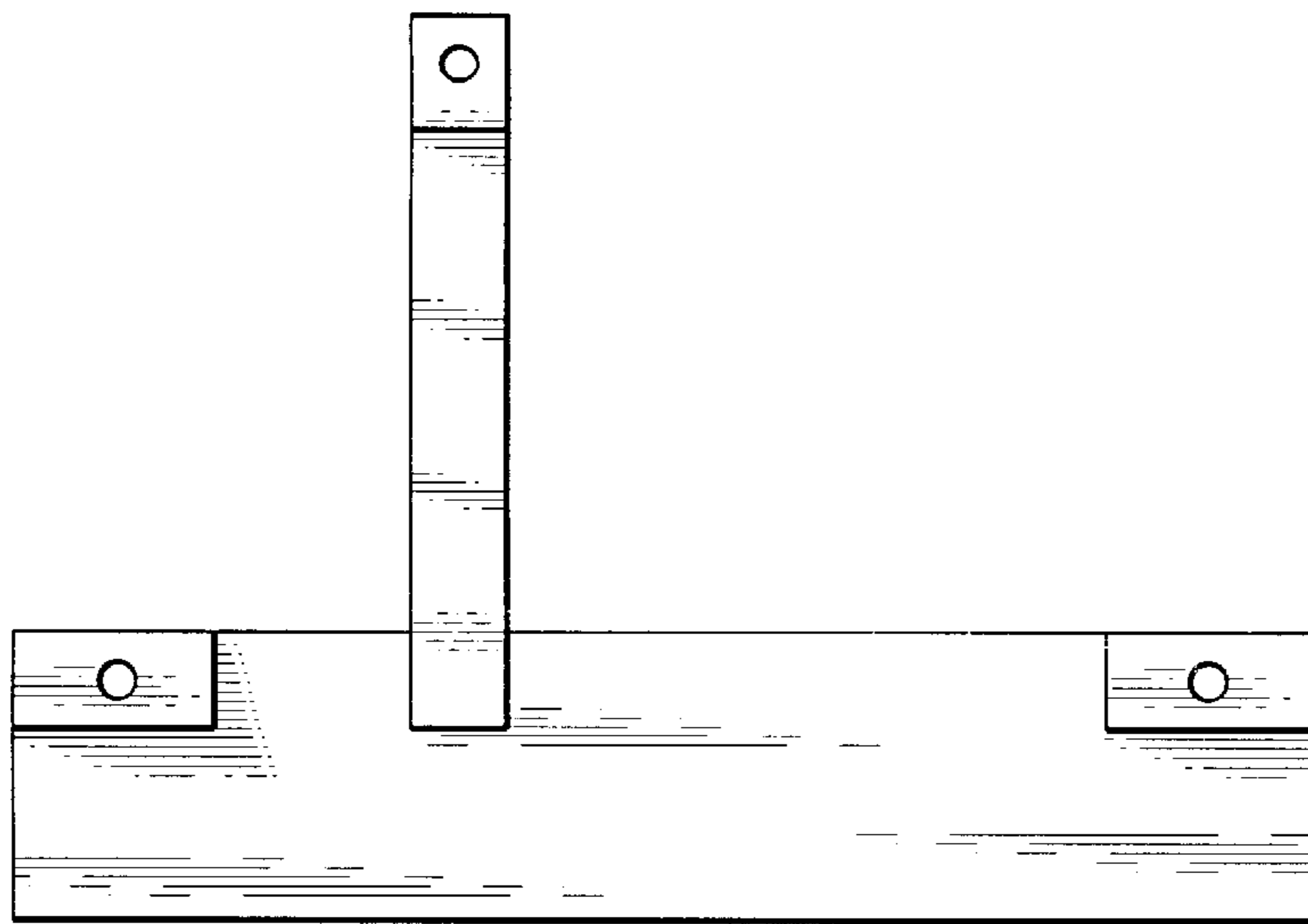


Fig. 4

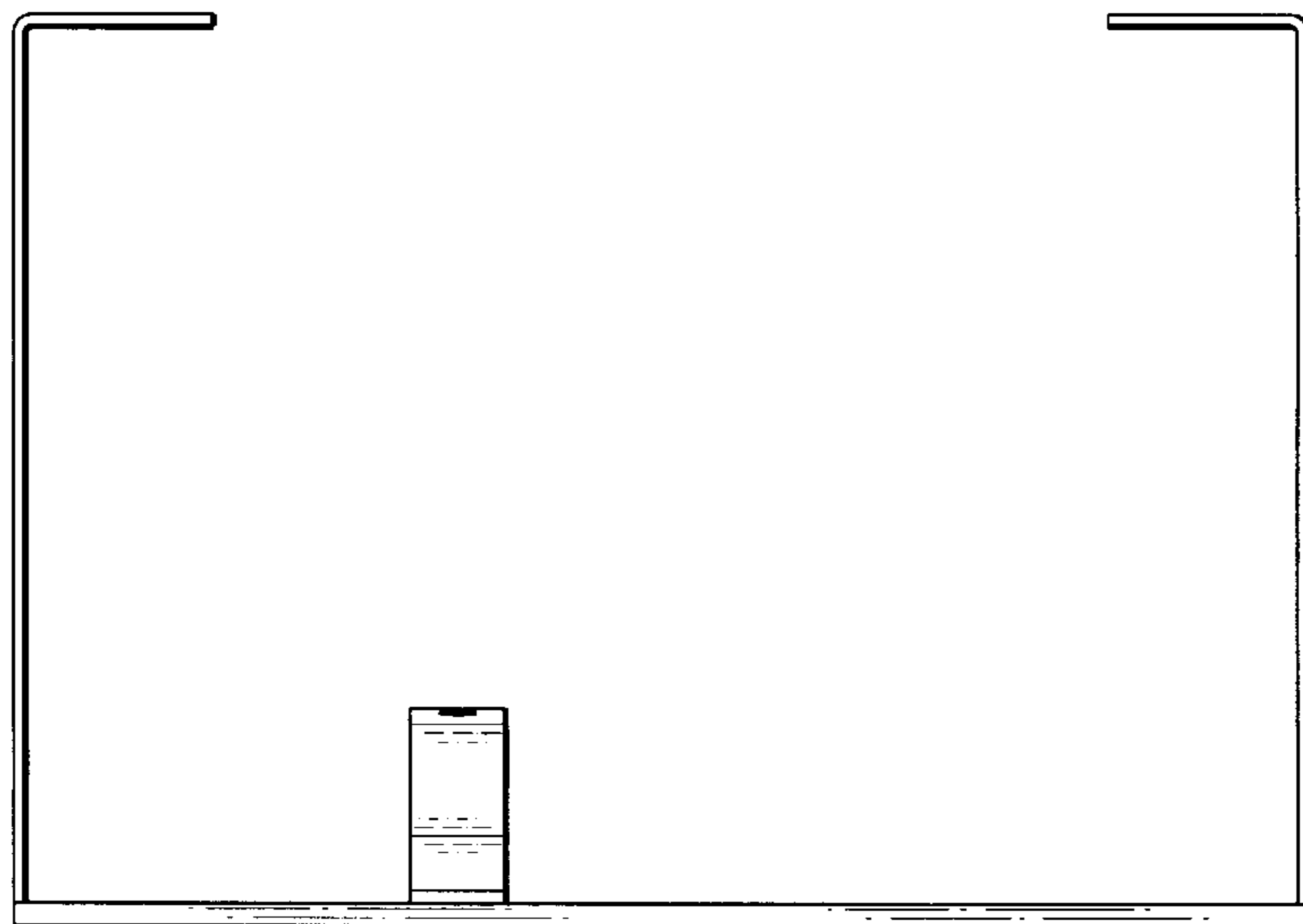


Fig. 5

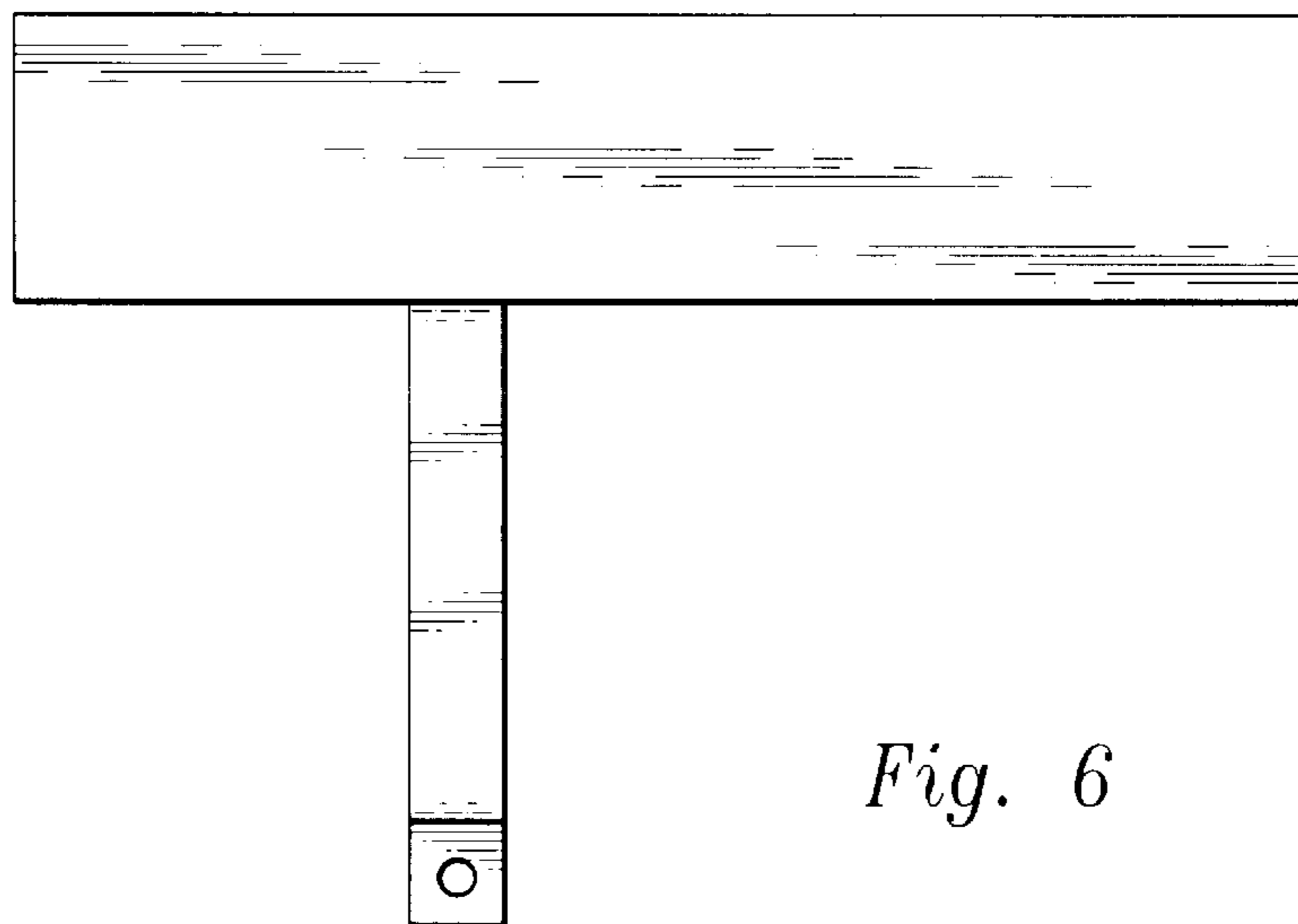


Fig. 6