



US00D462042S

(12) **United States Design Patent**
Bernardi

(10) **Patent No.:** **US D462,042 S**

(45) **Date of Patent:** **** Aug. 27, 2002**

- (54) **RIM FOR BICYCLE WHEEL**
- (75) Inventor: **Marco Lino Bernardi**, Rossano Veneto (IT)
- (73) Assignee: **ISCA S.p.A**, Vicenza (IT)
- (**) Term: **14 Years**

D256,688 S	*	9/1980	Zielinski	D12/205
D259,195 S	*	5/1981	Smith	D12/205
D267,167 S	*	12/1982	Suzuki et al.	D12/205
D269,506 S	*	6/1983	Suzuki et al.	D12/205
D281,062 S	*	10/1985	Hess	D12/205 X
D304,815 S	*	11/1989	Jones	D12/211 X
D388,389 S	*	12/1997	Johnson	D12/205
D401,204 S	*	11/1998	Al-Sabah	D12/204
D412,691 S	*	8/1999	Sands	D12/205

- (21) Appl. No.: **29/126,232**
- (22) Filed: **Jul. 13, 2000**
- (51) **LOC (7) Cl.** **12-16**
- (52) **U.S. Cl.** **D12/205**
- (58) **Field of Search** D12/204-211;
301/37.1, 64.1, 65

* cited by examiner

Primary Examiner—Stacia Cadmus

(74) *Attorney, Agent, or Firm*—Browdy and Neimark

(57) **CLAIM**

The ornamental design for a rim for bicycle wheel, as shown and described.

- (56) **References Cited**
- U.S. PATENT DOCUMENTS**
- D32,458 S * 4/1900 Conner D12/211
- D218,964 S * 10/1970 Shimano et al. D12/205
- D243,169 S * 1/1977 Suzuki et al. D12/205
- D248,390 S * 7/1978 Lester

DESCRIPTION

FIG. 1 is a front view of a rim for bicycle wheel, showing my new design;
 FIG. 2 is a side view thereof; and,
 FIG. 3 is an enlarged section view thereof, taken along lines 3—3 in FIG. 1.

1 Claim, 3 Drawing Sheets

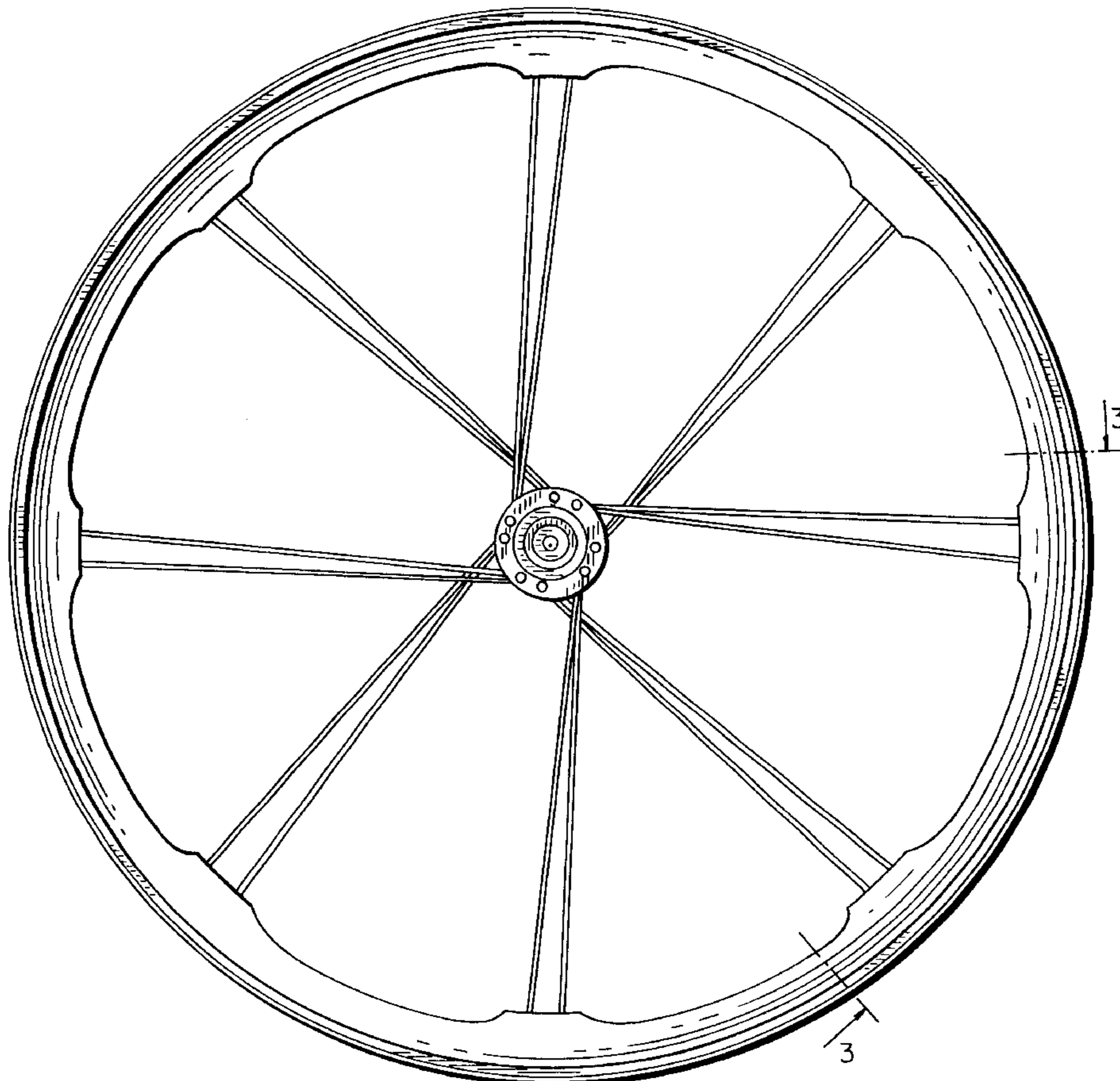


FIG. 1

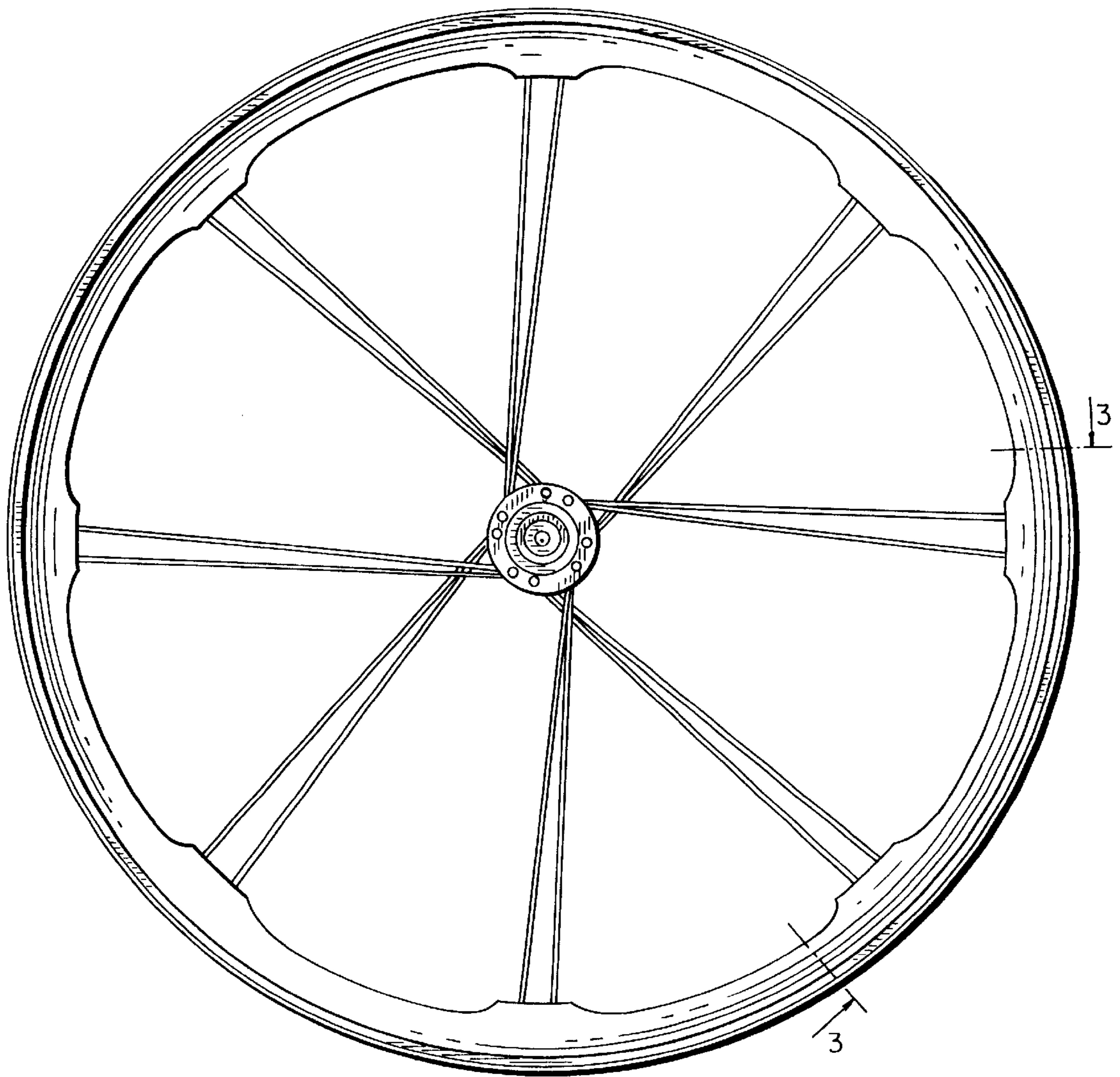


FIG. 2

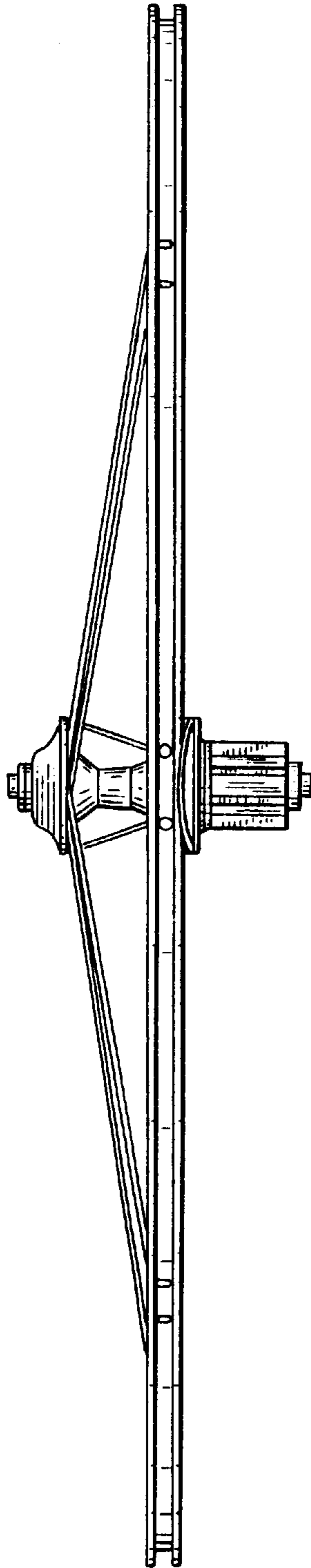


FIG. 3

