



US00D462041S

(12) **United States Design Patent**
Kansier et al.

(10) **Patent No.:** **US D462,041 S**

(45) **Date of Patent:** **** Aug. 27, 2002**

(54) **SPORT UTILITY SLIDING DOOR**

D443,574 S * 6/2001 Lian D12/196

(75) Inventors: **Earl E. Kansier**, White Lake; **Joseph E. Mrozowski**, Clarkston; **John P. Pacella**, Rochester Hills, all of MI (US)

* cited by examiner

Primary Examiner—Melody N. Brown
(74) *Attorney, Agent, or Firm*—Harness, Dickey & Pierce, P.L.C.

(73) Assignee: **The Budd Company**, Troy, MI (US)

(**) Term: **14 Years**

(57) **CLAIM**

The ornamental design for a sport utility sliding door, as shown and described.

(21) Appl. No.: **29/114,501**

(22) Filed: **Nov. 24, 1999**

DESCRIPTION

(51) **LOC (7) Cl.** **12-16**

(52) **U.S. Cl.** **D12/196**

(58) **Field of Search** D12/196, 90-92;
296/185, 192-198, 146, 151; 49/501, 502

FIG. 1 is a side elevational view of a sport utility sliding door according to our new design, the opposing side view being substantially a mirror image thereof;

FIG. 2 is a side perspective view of our new design. The broken line representation of the sliding door in an open position is for environmental purposes only; and,

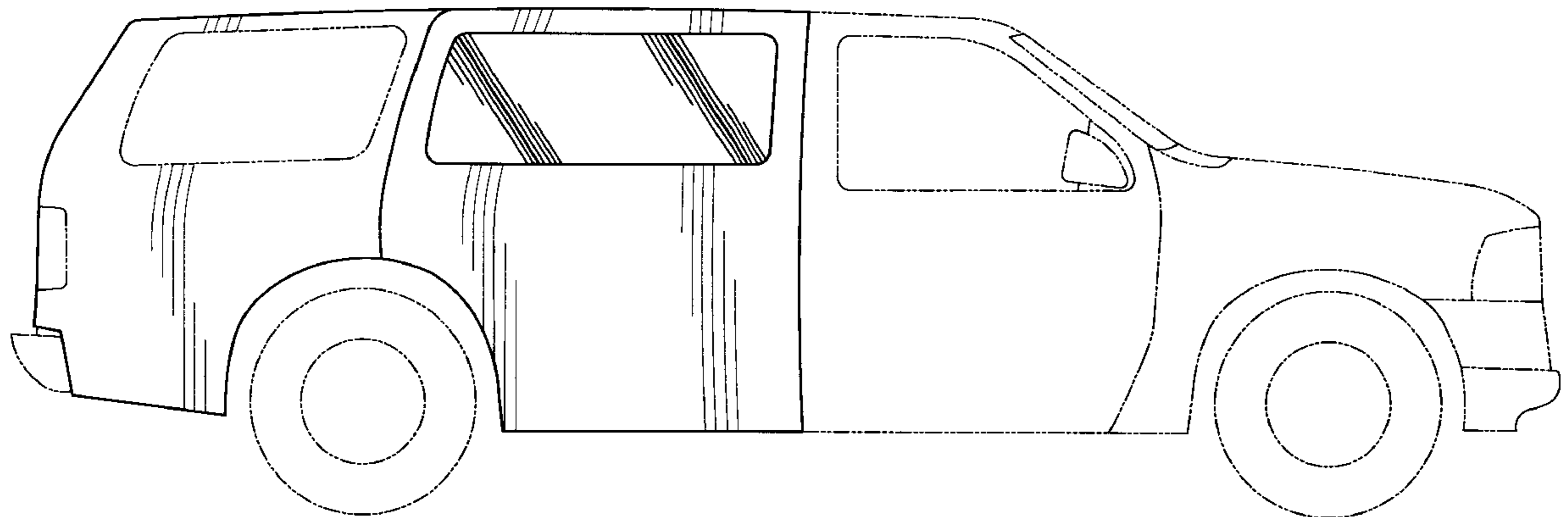
FIG. 3 is a top plan view of our new design. The broken line showing of a portion of the sport utility vehicle is for environmental purposes only and forms no part of the claimed design. Sides of the exemplary vehicle not shown form no portion of the claimed design.

(56) **References Cited**

U.S. PATENT DOCUMENTS

- D285,430 S * 9/1986 Dayton et al. D12/196
- D362,831 S * 10/1995 Minowa et al. D12/91
- D401,185 S * 11/1998 McGovern D12/91
- D418,086 S * 12/1999 Starr et al. D12/91
- D420,939 S * 2/2000 Faurote D12/91

1 Claim, 3 Drawing Sheets



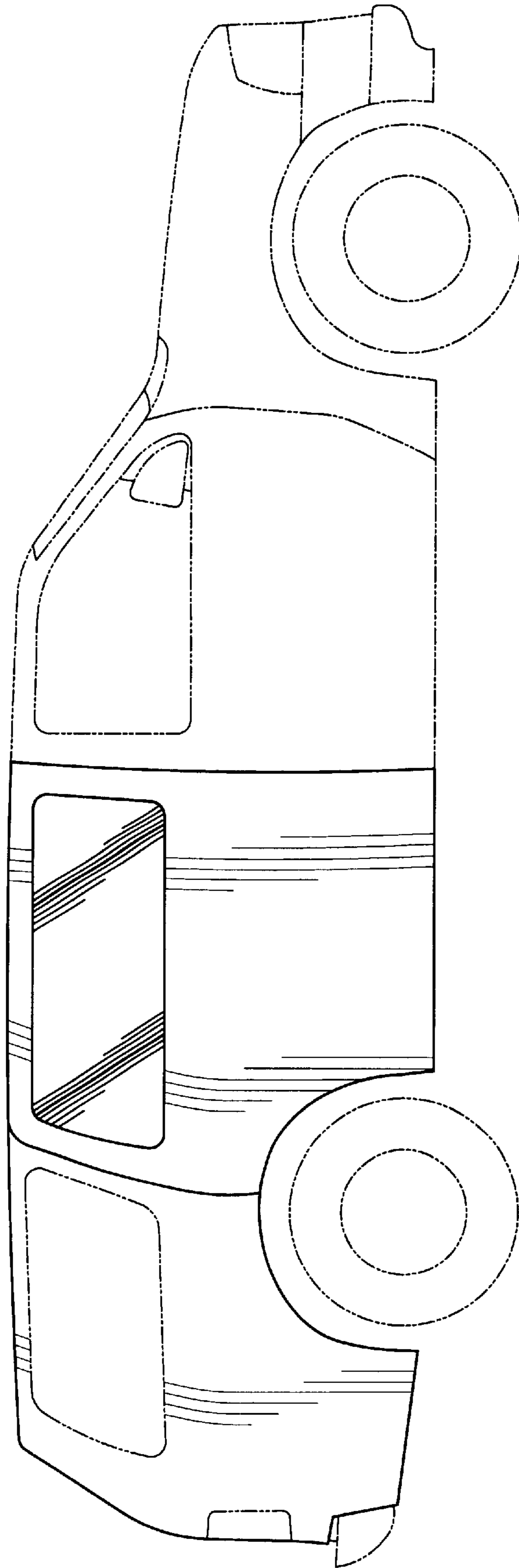


Fig-1

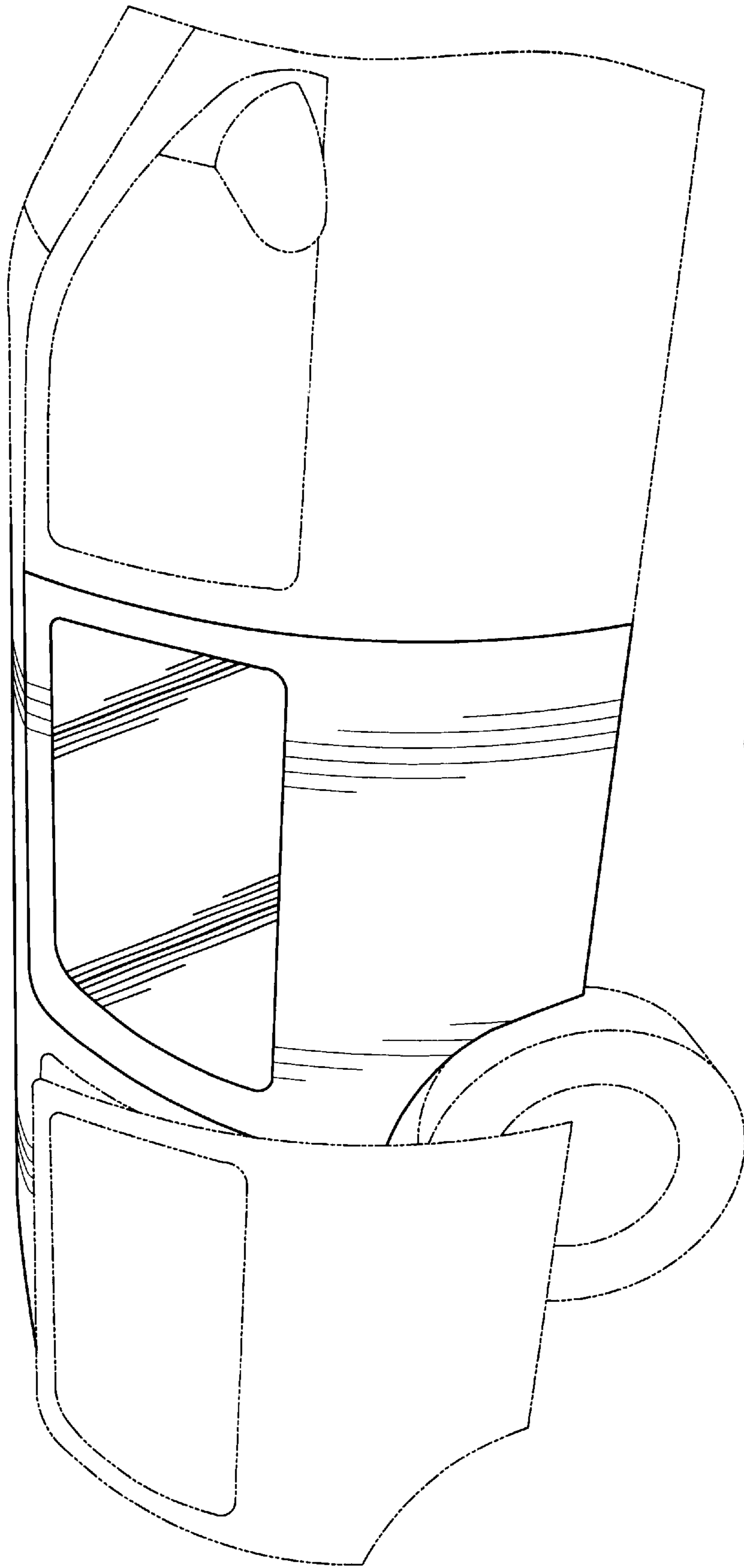


Fig-2

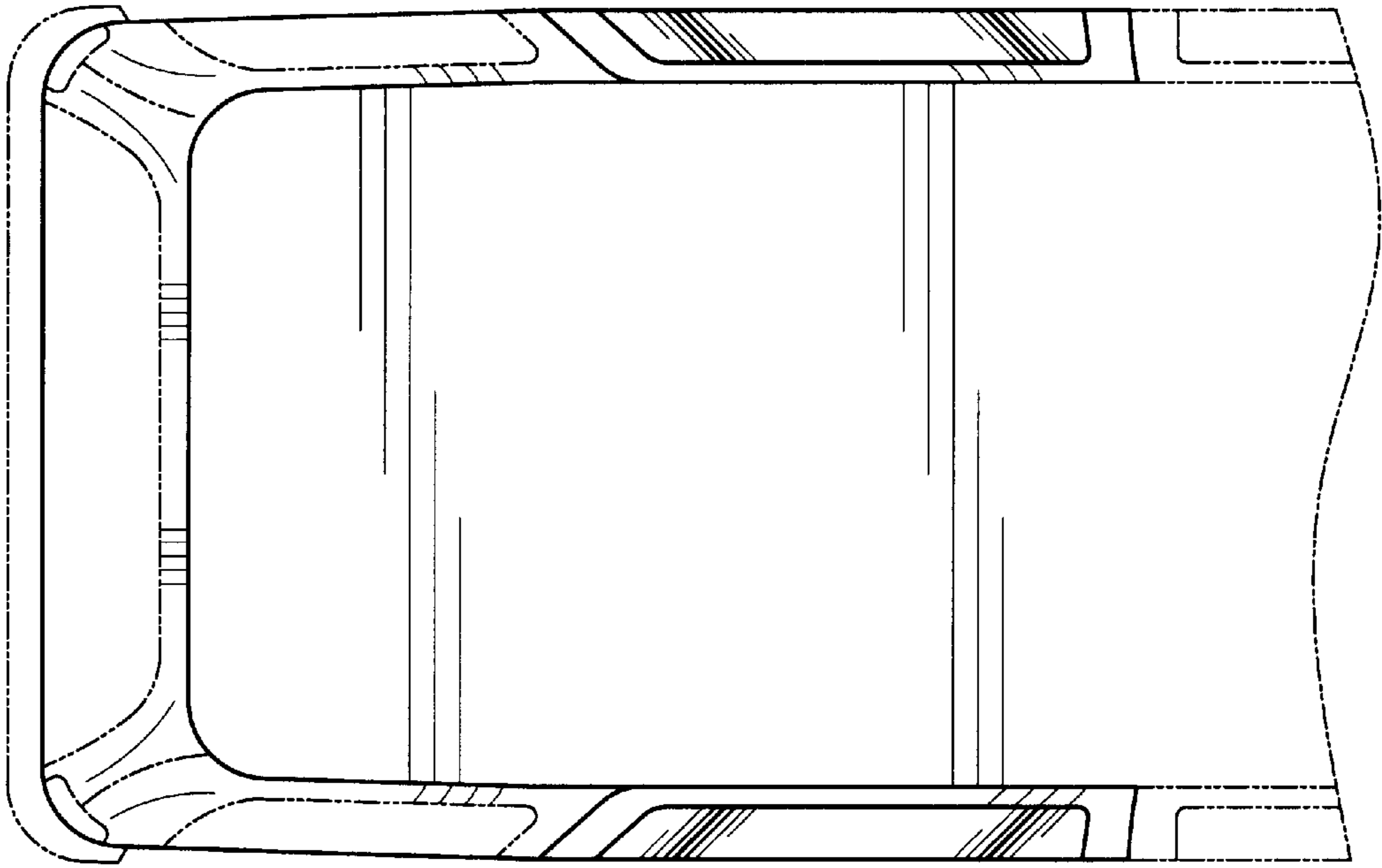


Fig-3