



US00D462040S

(12) **United States Design Patent**  
Ueno et al.

(10) **Patent No.:** **US D462,040 S**

(45) **Date of Patent:** **\*\* Aug. 27, 2002**

(54) **CALIPER BODY OF DISK BRAKE FOR VEHICLE**

(75) Inventors: **Tetsuyoshi Ueno; Toshiyuki Takeda,**  
both of Nagano-Ken (JP)

(73) Assignee: **Nissin Kogyo Co., Ltd.,** Nagano-Ken (JP)

(\*\*) Term: **14 Years**

(21) Appl. No.: **29/150,025**

(22) Filed: **Oct. 31, 2001**

(30) **Foreign Application Priority Data**

May 18, 2001 (JP) ..... 2001-014263

(51) **LOC (7) Cl.** ..... **12-16**

(52) **U.S. Cl.** ..... **D12/180**

(58) **Field of Search** ..... D12/180; 188/71.1,  
188/73.1, 250 B, 73.45

(56) **References Cited**

**U.S. PATENT DOCUMENTS**

D417,642 S \* 12/1999 Ashley, Sr. .... D12/180  
D426,180 S \* 6/2000 Pink et al. .... D12/180  
D436,904 S \* 1/2001 Terasawa ..... D12/180  
D437,274 S \* 2/2001 Terasawa ..... D12/180

D437,813 S \* 2/2001 Terasawa ..... D12/180

D439,872 S \* 4/2001 Terasawa ..... D12/180

D439,873 S \* 4/2001 Terasawa ..... D12/180

D442,900 S \* 5/2001 Separautzki ..... D12/180

\* cited by examiner

*Primary Examiner*—Melody N. Brown

(74) *Attorney, Agent, or Firm*—Sughrue Mion, PLLC

(57) **CLAIM**

The ornamental design for a caliper body of disk brake for vehicle, as shown and described.

**DESCRIPTION**

FIG. 1 is a perspective view of the top, front and right side of a caliper body of disk brake for vehicle showing our new design;

FIG. 2 is a front elevational view thereof;

FIG. 3 is a rear elevational view thereof;

FIG. 4 is a top plan view thereof;

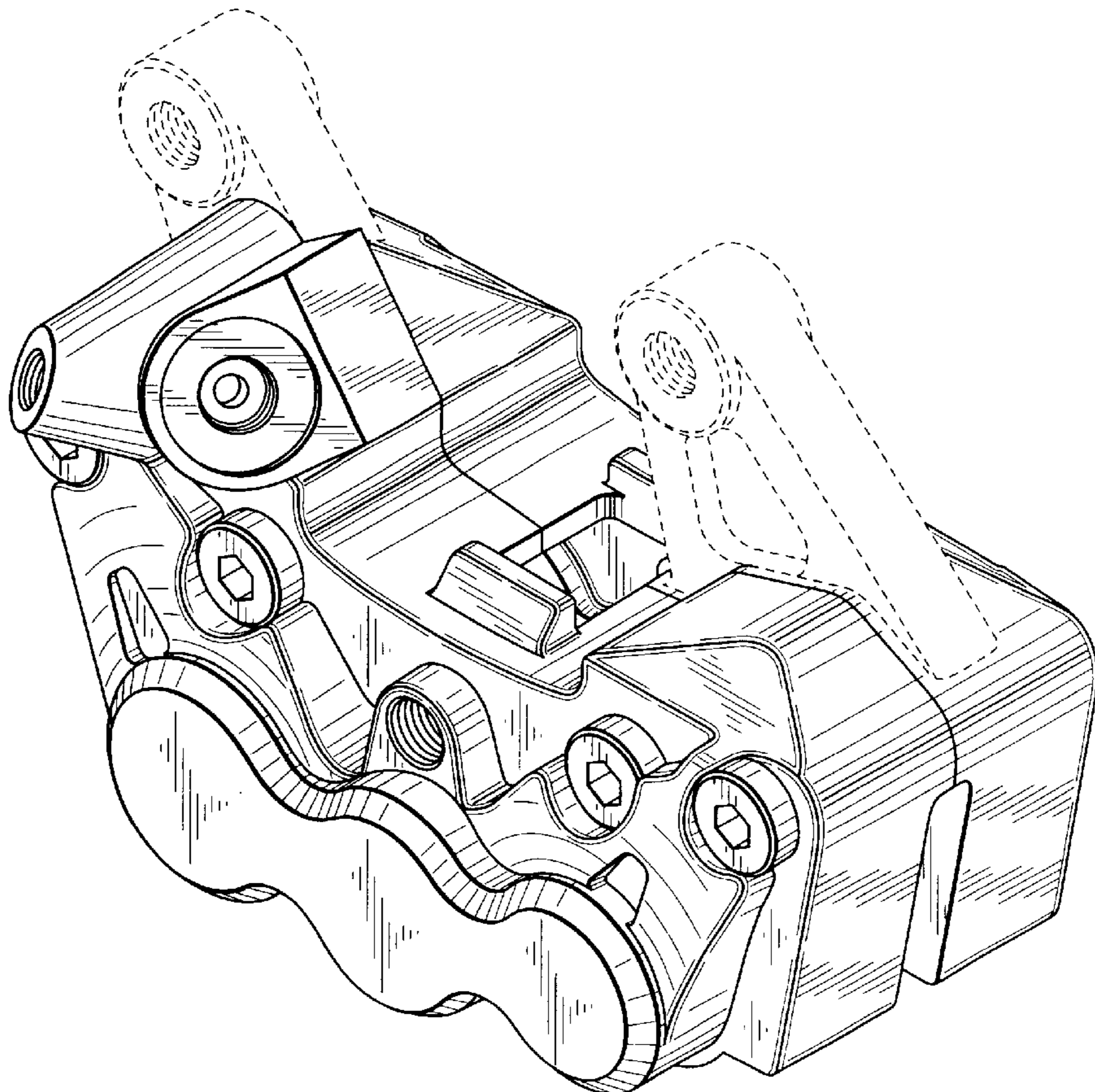
FIG. 5 is a bottom plan view thereof;

FIG. 6 is a right side elevational view thereof; and,

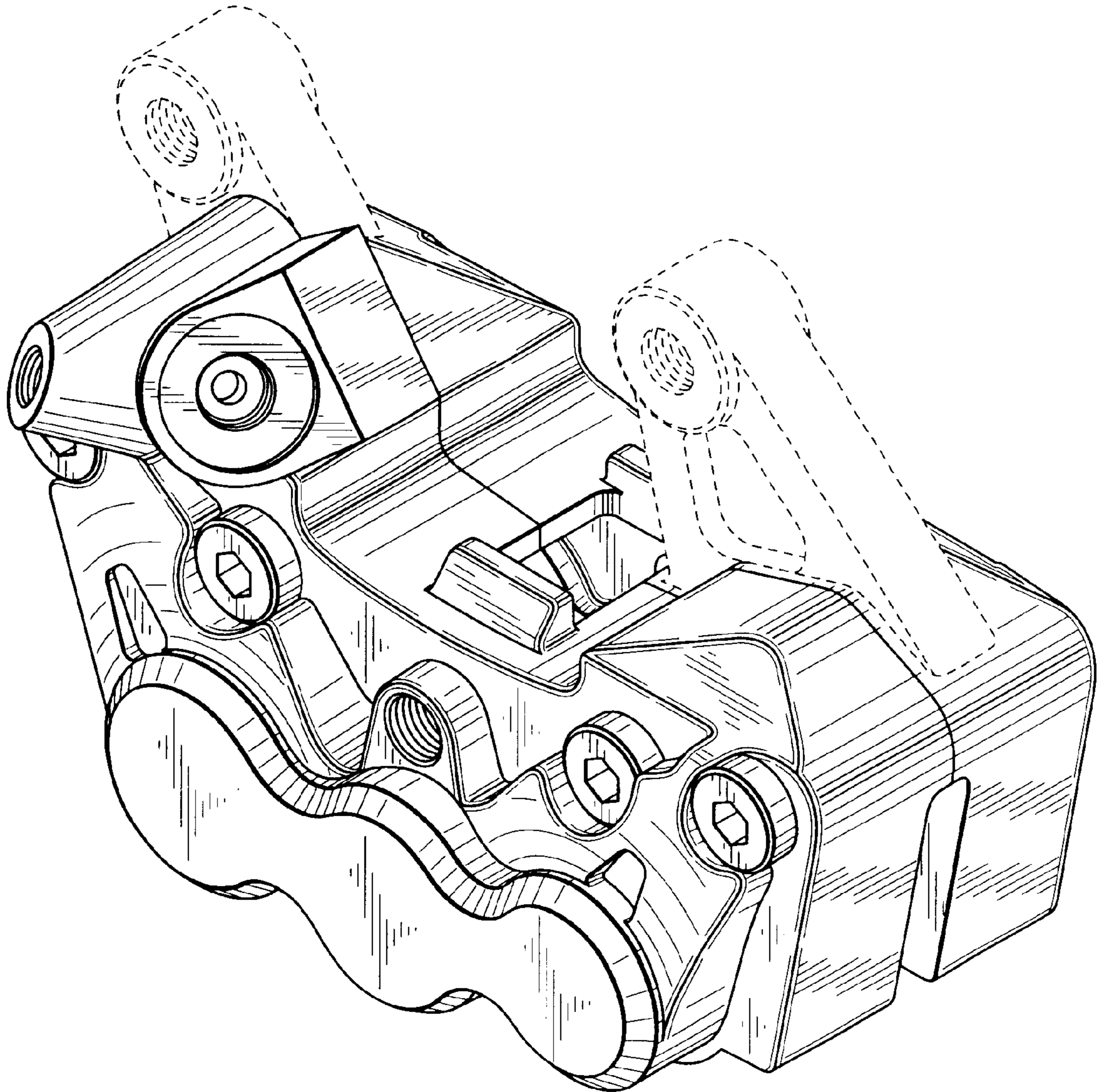
FIG. 7 is a left side elevational view thereof.

The broken lines shown throughout the drawing view are for illustrative purposes only and form no part of the claimed design.

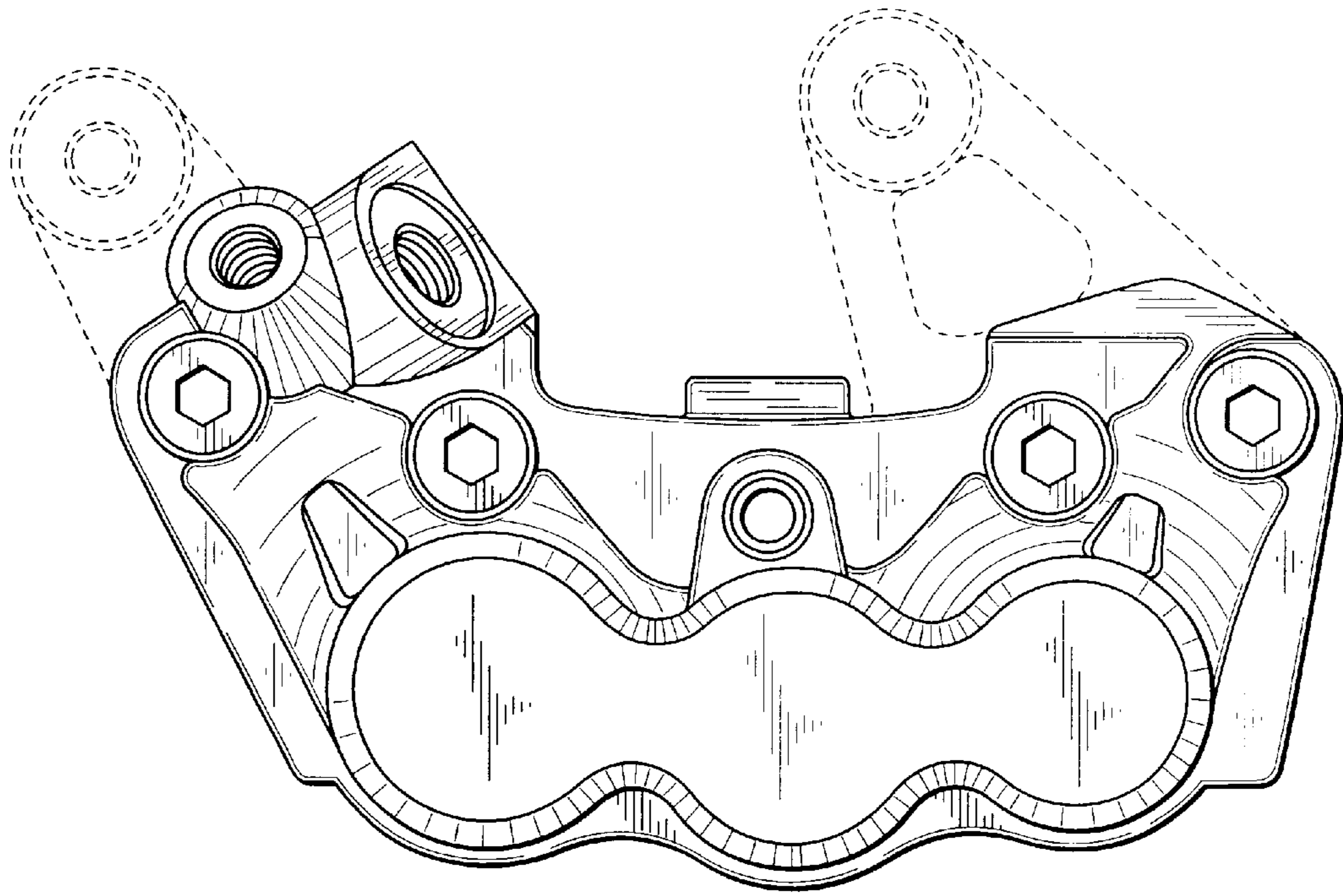
**1 Claim, 4 Drawing Sheets**



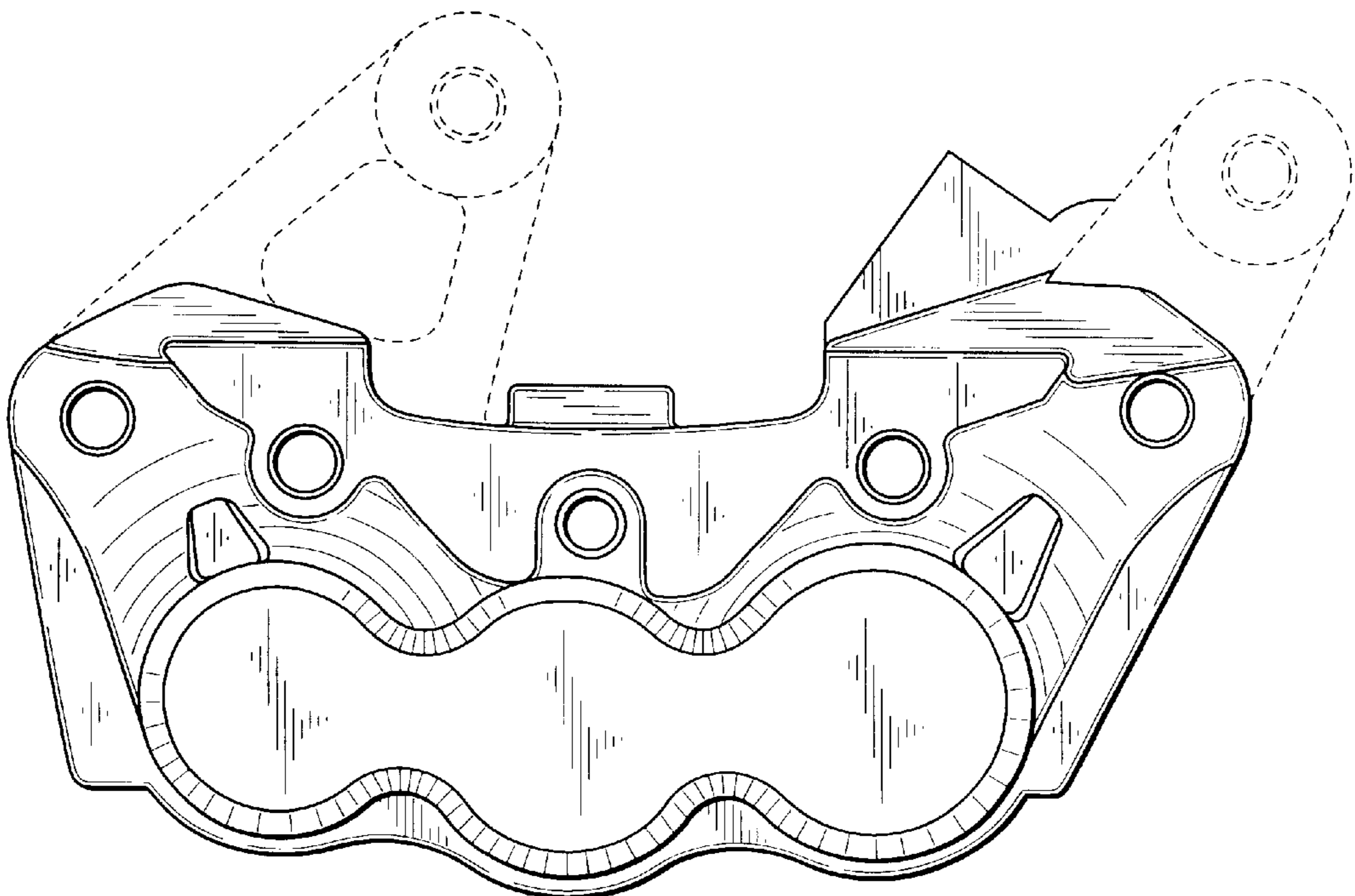
*FIG. 1*



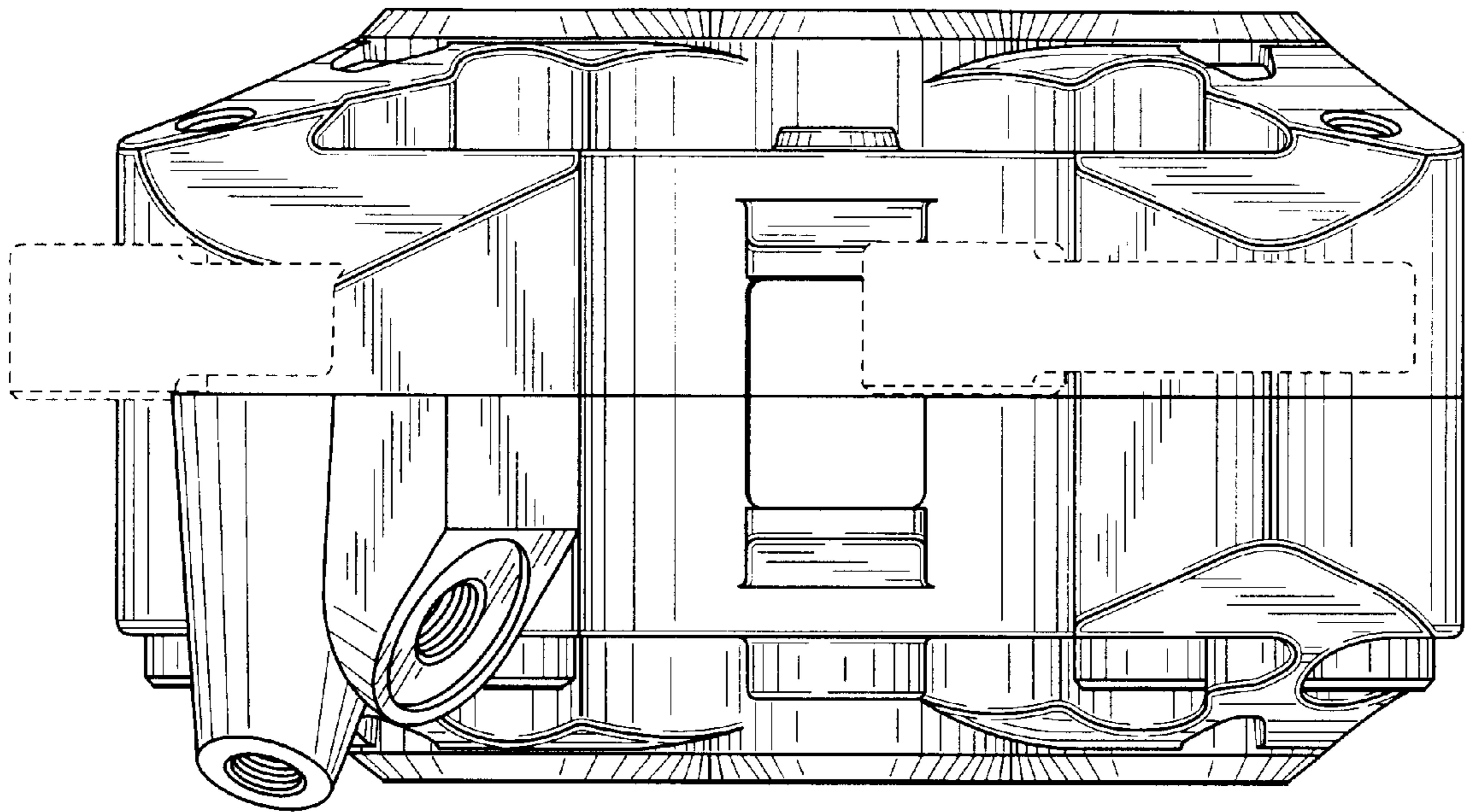
**FIG. 2**



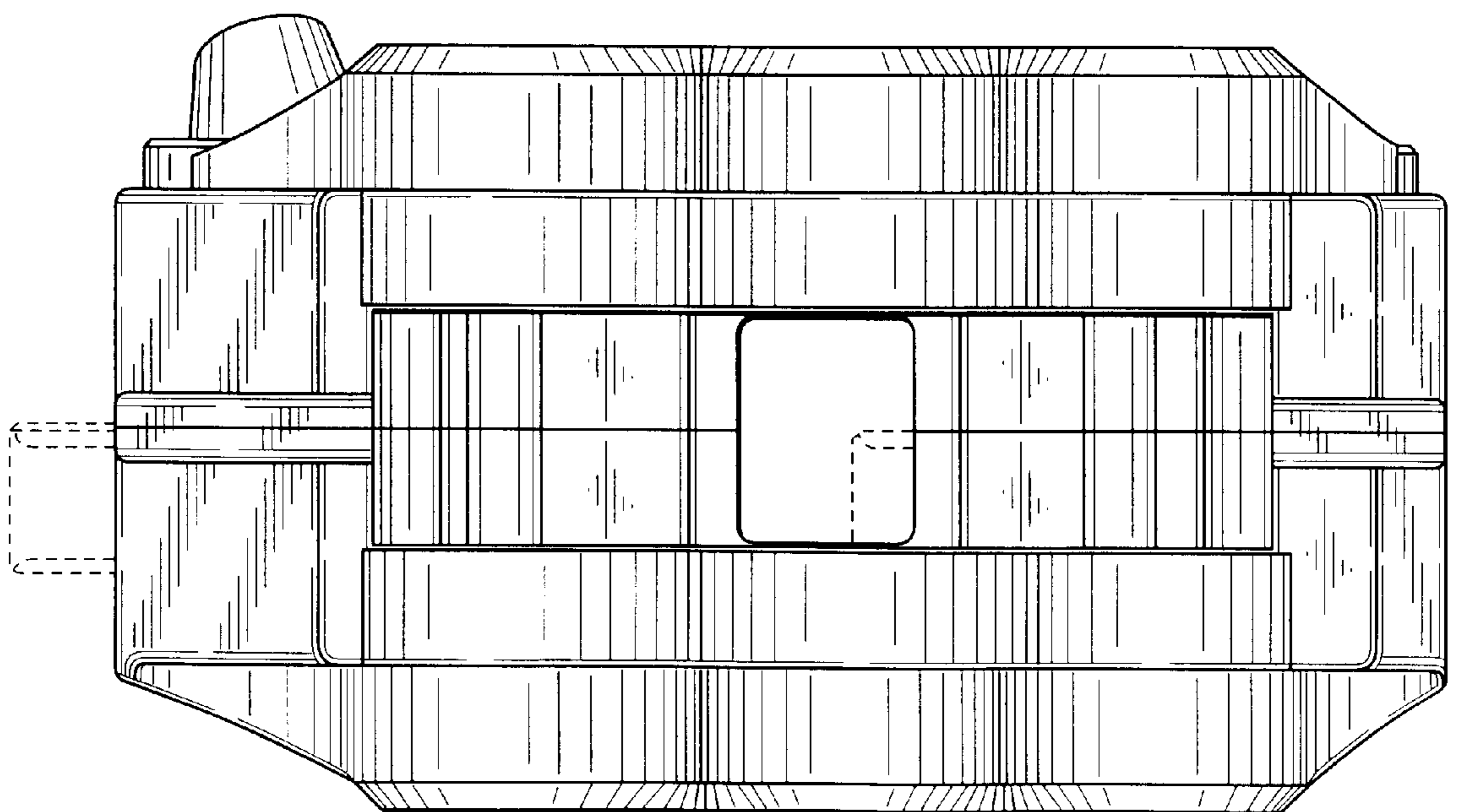
**FIG. 3**



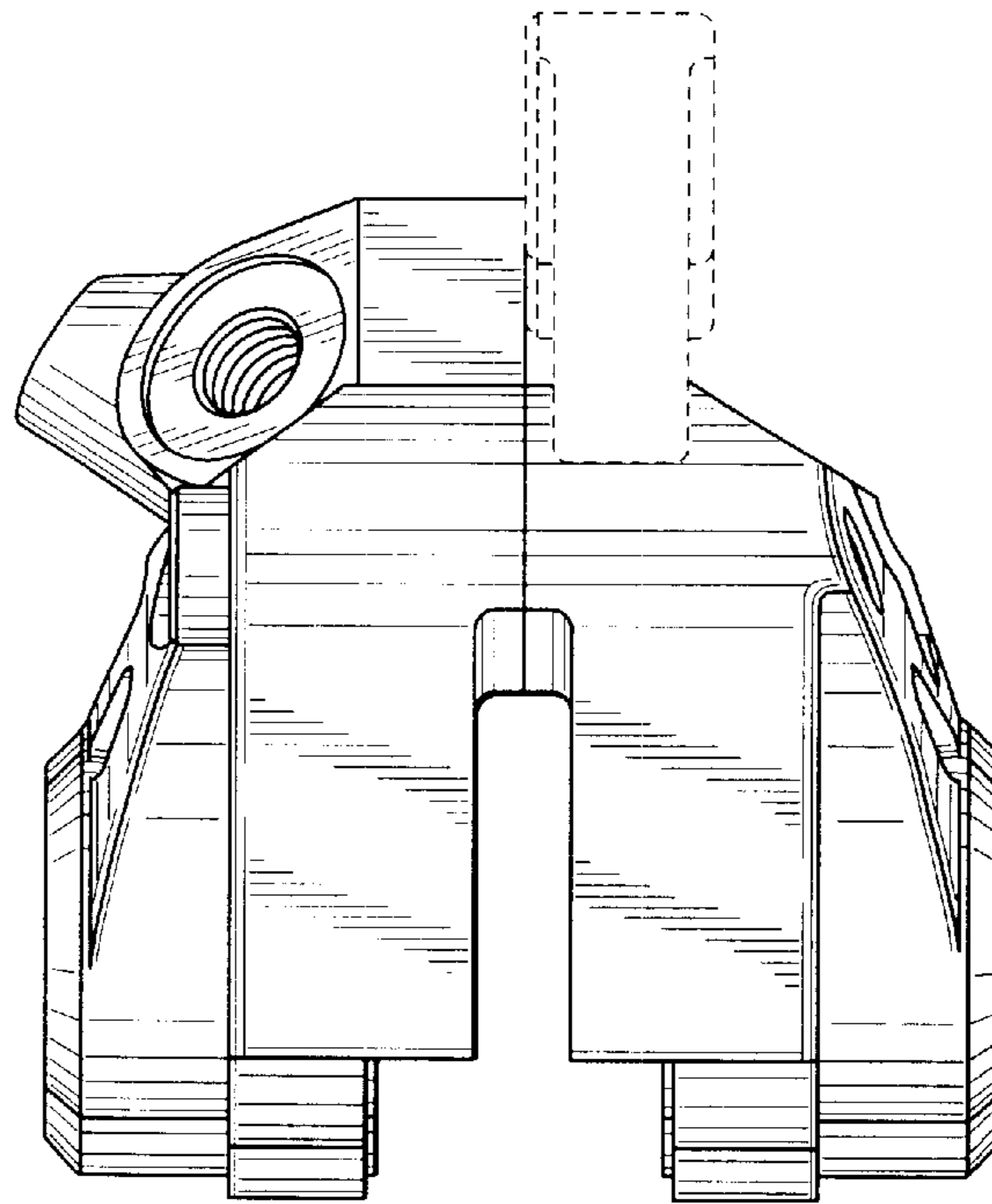
*FIG. 4*



*FIG. 5*



*FIG. 6*



*FIG. 7*

