



US00D462039S

(12) **United States Design Patent**
Larocque

(10) **Patent No.:** **US D462,039 S**

(45) **Date of Patent:** **** Aug. 27, 2002**

(54) **STEERING WHEEL INCORPORATING
SIGNAL LIGHT ACTUATING BUTTONS AND
AN ASSOCIATED DIGITAL DISPLAY
INDICATING NUMBER OF SETTABLE
FLASHES OF THE SIGNAL LIGHTS**

D424,488 S * 5/2000 Thoyse D12/176
D424,996 S * 5/2000 McShay, Jr. D12/176

* cited by examiner

Primary Examiner—Melody N. Brown

(76) **Inventor:** **Robert J. Larocque**, RR 1, Arkona,
Ontario (CA), N0M-1B0

(57) **CLAIM**

(**) **Term:** **14 Years**

I claim the ornamental design for a steering wheel incorpo-
rating signal light actuating buttons and an associated digital
display indicating number of settable flashes of the signal
lights, as shown and described.

(21) **Appl. No.:** **29/147,849**

DESCRIPTION

(22) **Filed:** **Sep. 10, 2001**

(51) **LOC (7) Cl.** **12-16**

(52) **U.S. Cl.** **D12/176**

(58) **Field of Search** D12/175, 176;
74/552, 608

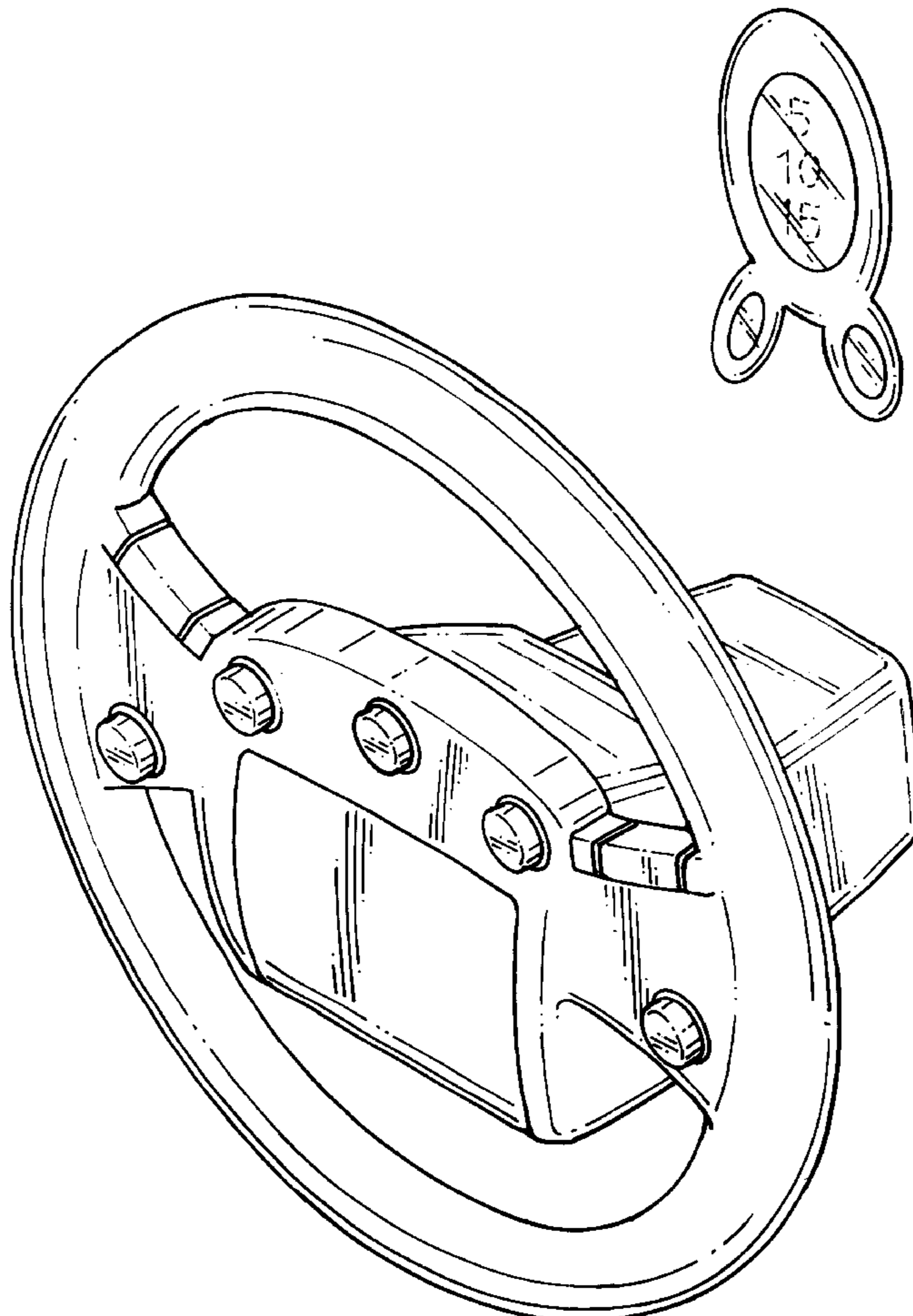
FIG. 1 is a perspective view of a steering wheel incorpo-
rating signal light actuating buttons and an associated digital
display indicating number of settable flashes of the signal
lights, showing my new design;
FIG. 2 is a front elevational view thereof;
FIG. 3 is a rear elevational view thereof;
FIG. 4 is a right side elevational view thereof; the left side
elevational view being a mirror image of this Figure;
FIG. 5 is a top plan view thereof; and,
FIG. 6 is a bottom plan view thereof.

(56) **References Cited**

U.S. PATENT DOCUMENTS

D342,474 S * 12/1993 Oki D12/176
D343,156 S * 1/1994 Alfer D12/176
D418,786 S * 1/2000 Giamos D12/176
D424,000 S * 5/2000 An et al. D12/176

1 Claim, 4 Drawing Sheets



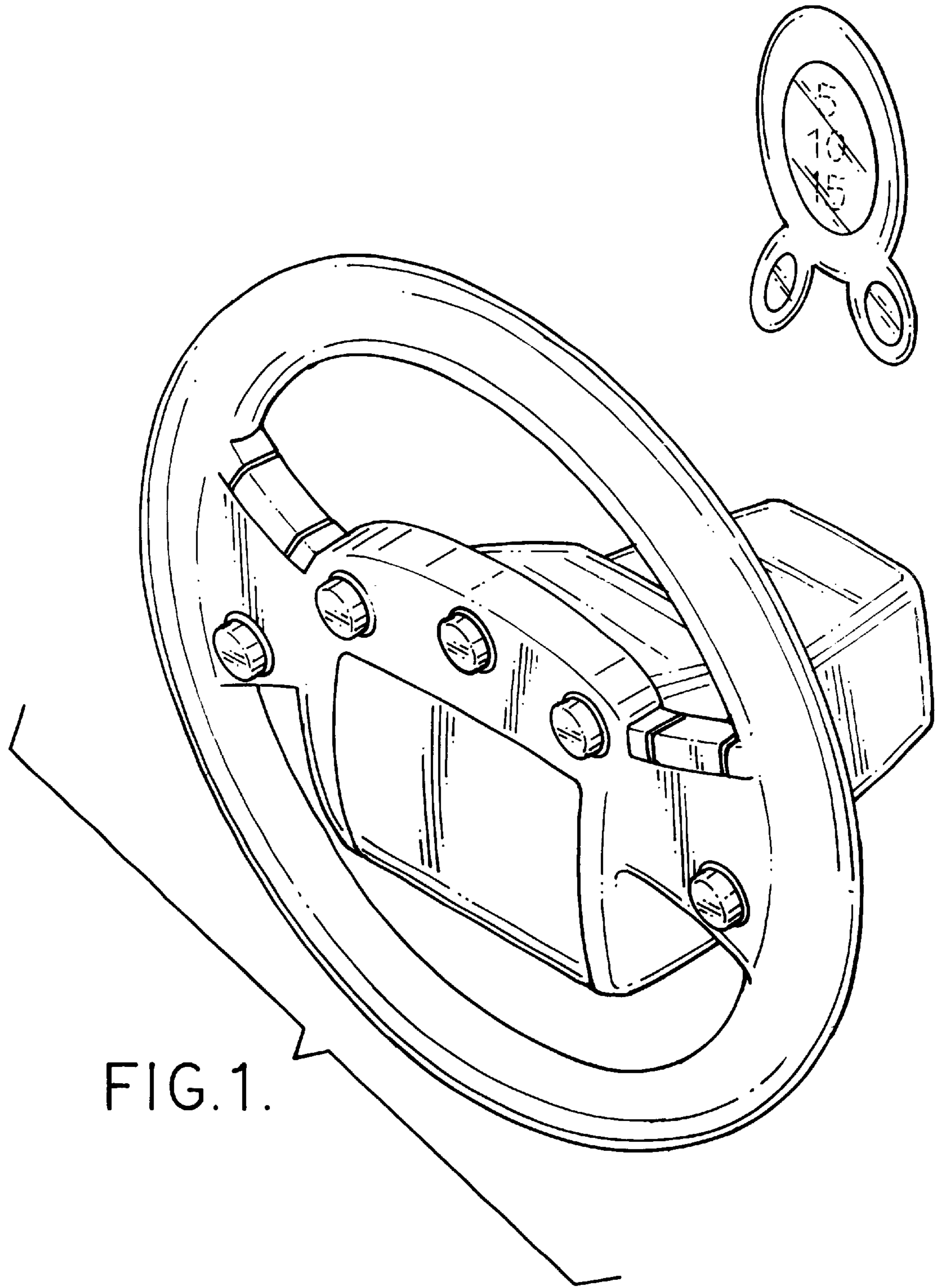


FIG. 1.

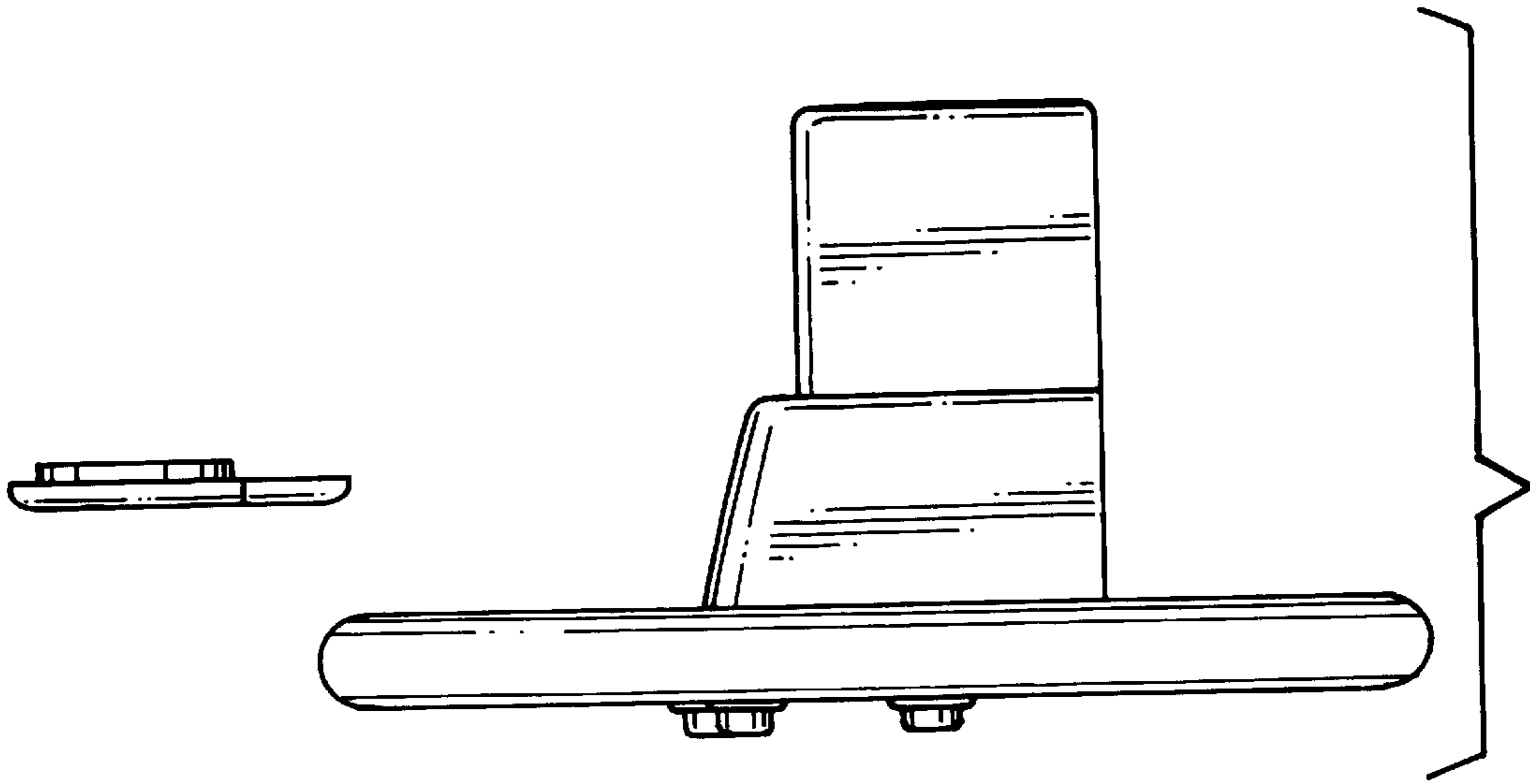


FIG. 4.

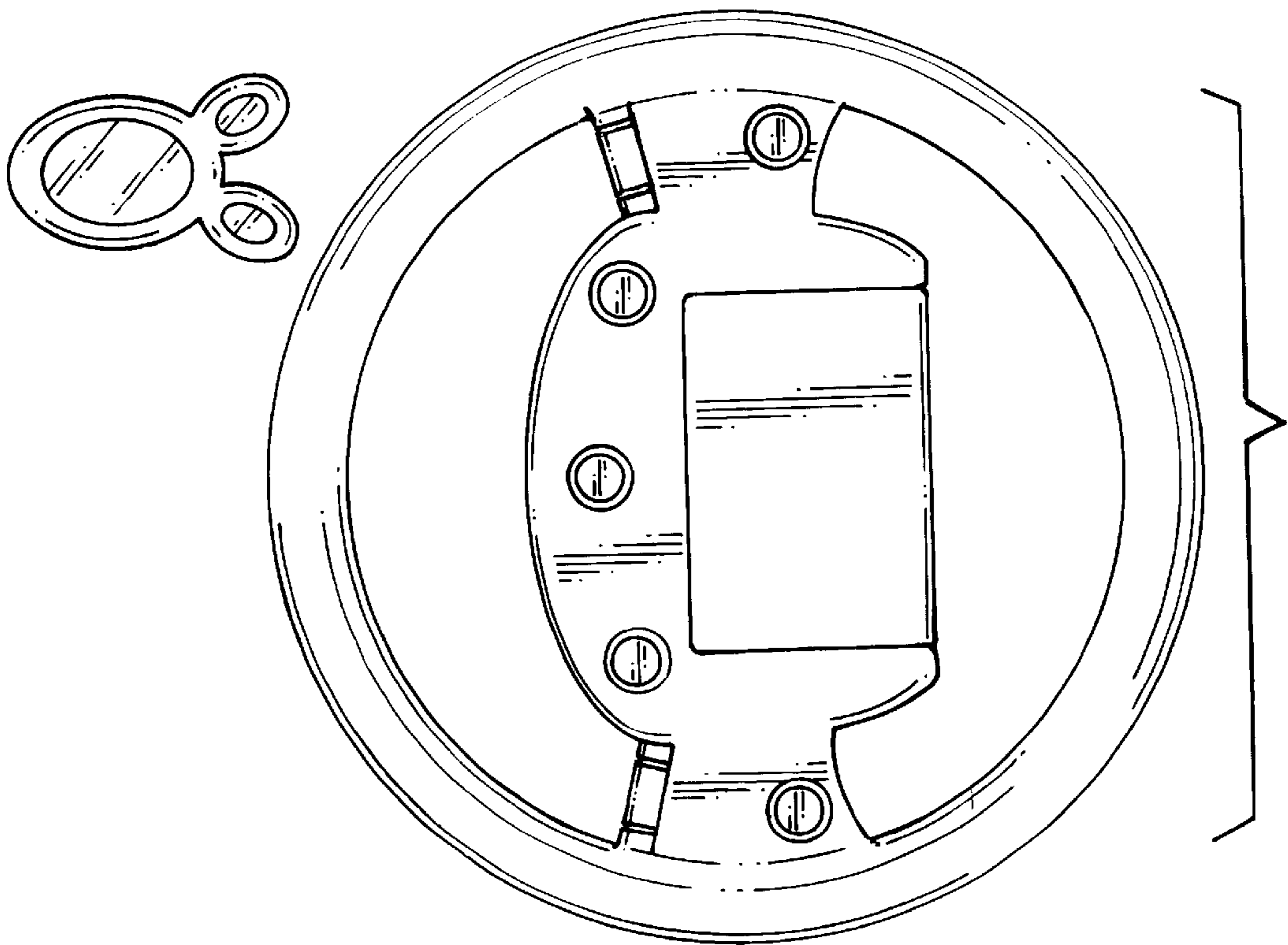


FIG. 2.

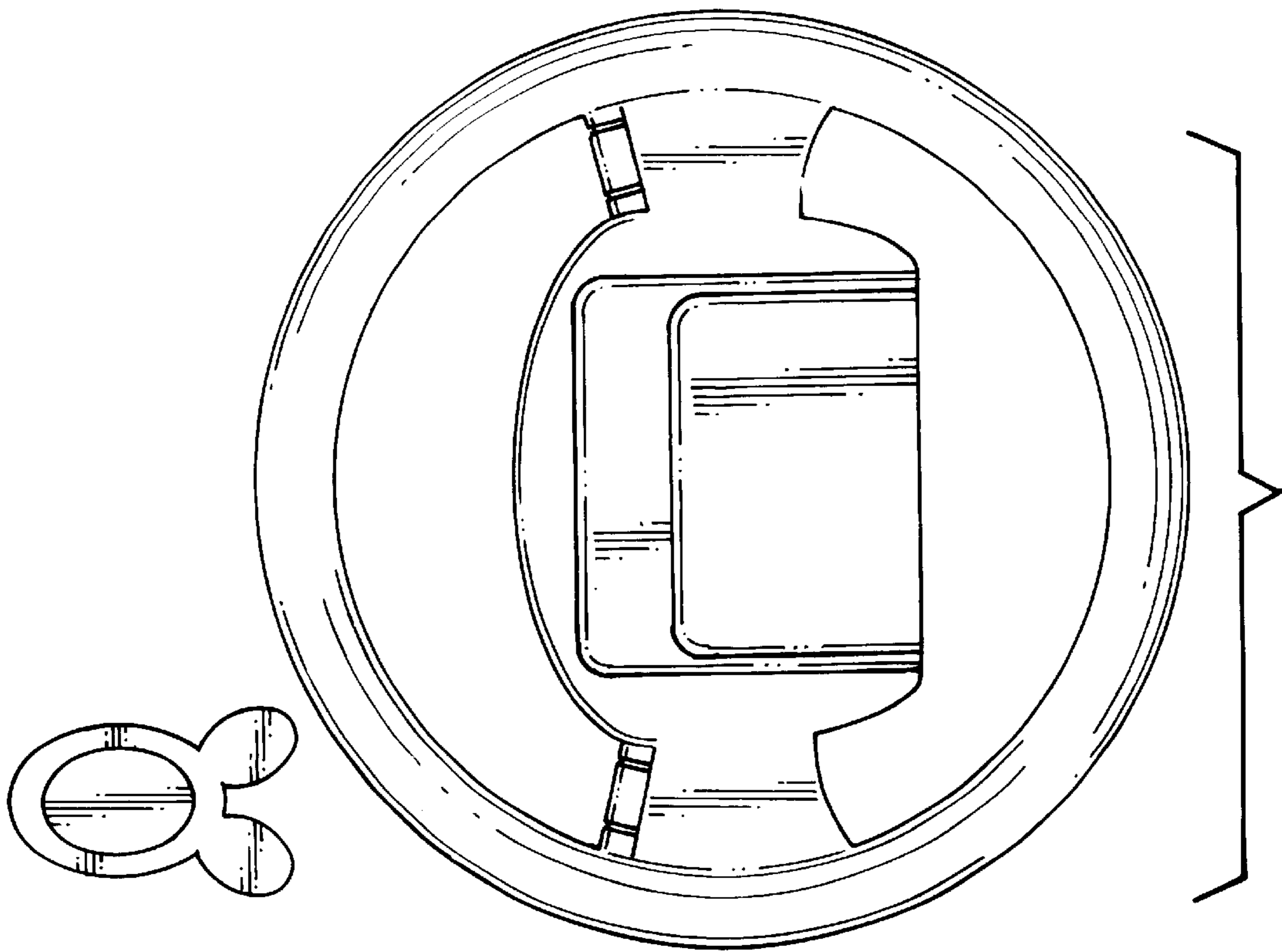


FIG. 3.

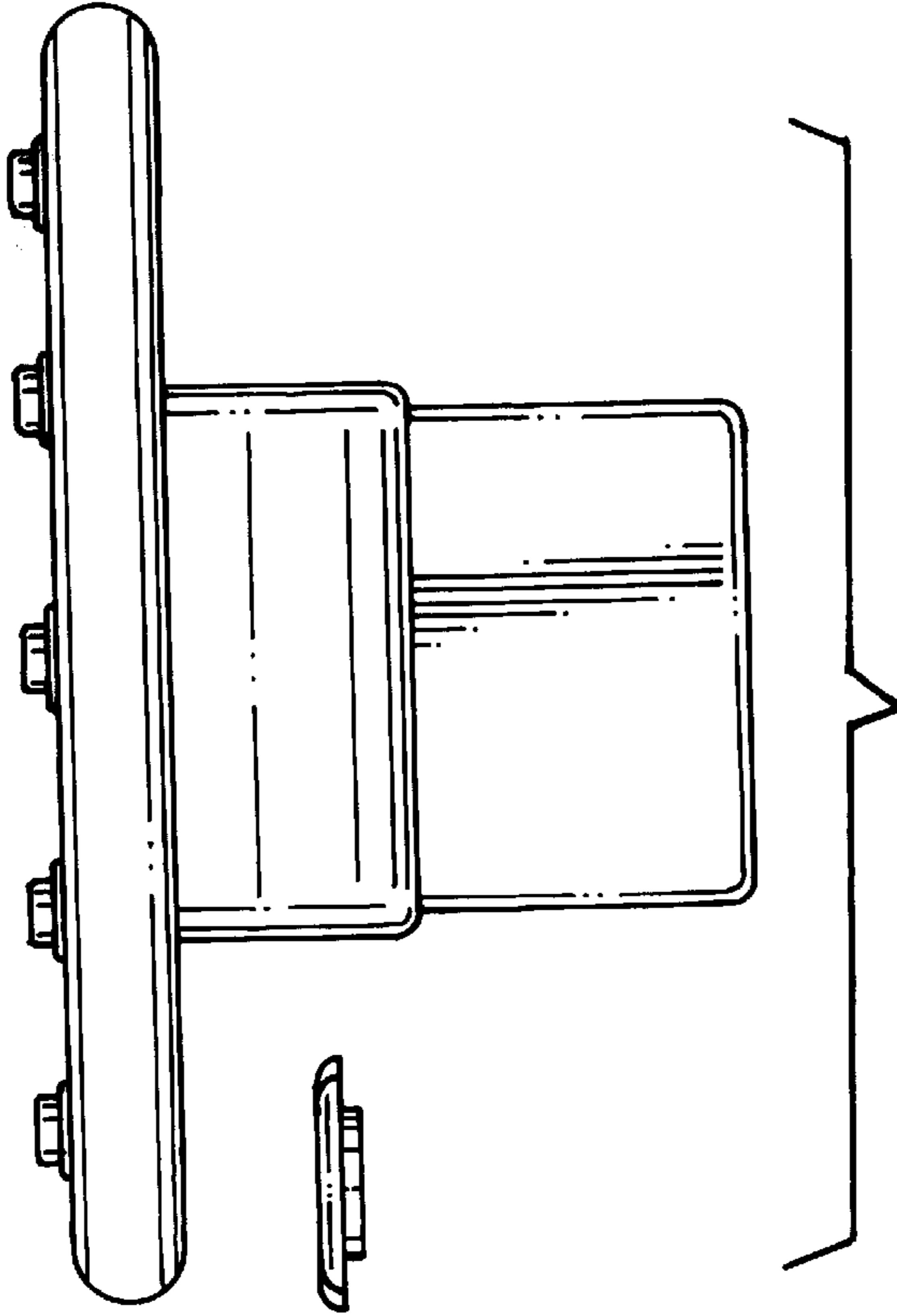


FIG. 5.

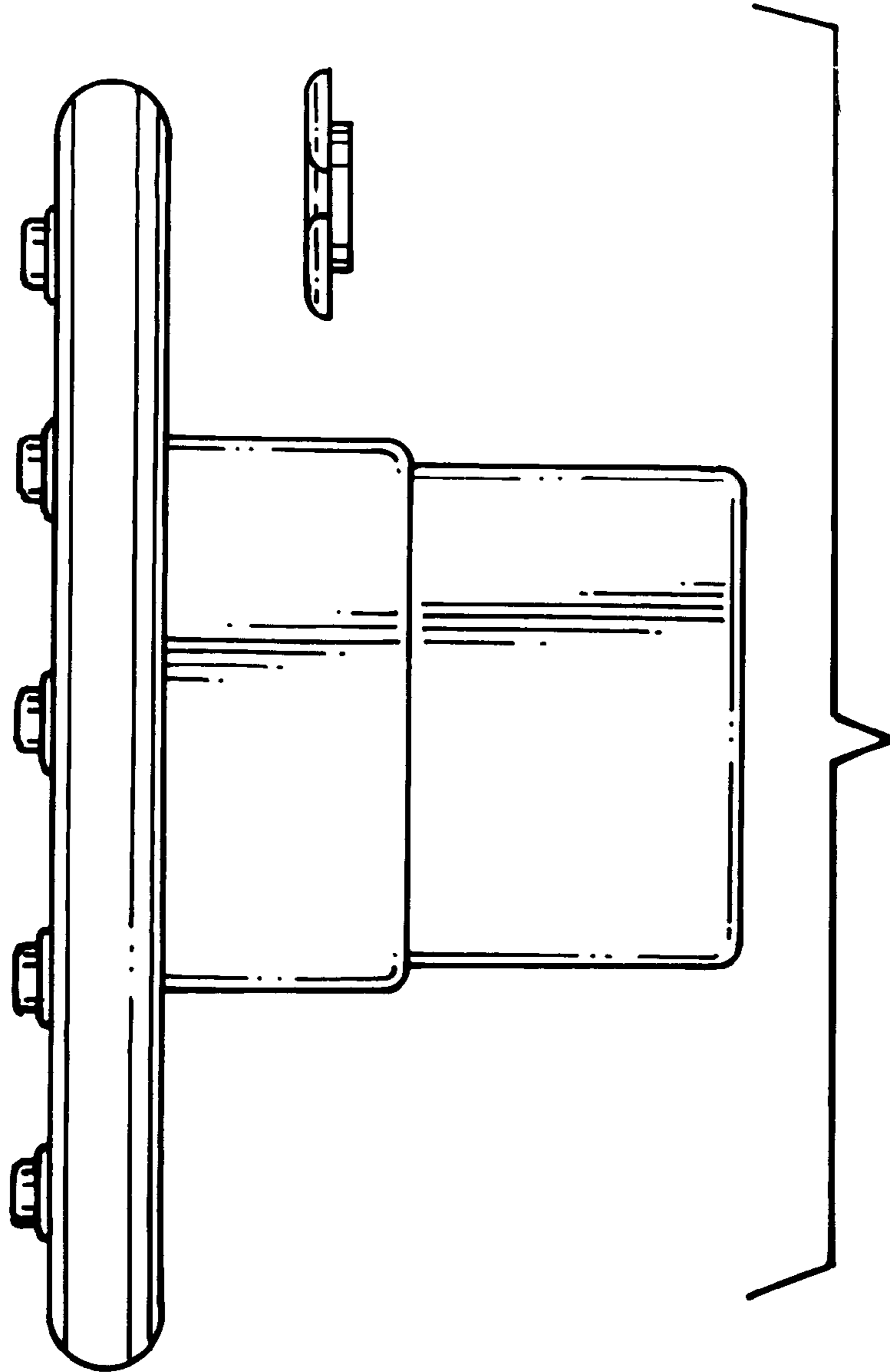


FIG. 6.