



US00D462036S

(12) **United States Design Patent**
Mondragon Sarmiento et al.

(10) **Patent No.:** **US D462,036 S**

(45) **Date of Patent:** **** Aug. 27, 2002**

(54) **TRUCK CAB**

D406,553 S * 3/1999 Hellhake et al. D12/96
D423,990 S * 5/2000 Meryman et al. D12/96

(75) Inventors: **Francisco Mondragon Sarmiento**,
Atizapan de Zaragoza; **Roberto**
Miranda Guerrero, Naucalpan de
Juárez; **Alejandro Espinosa Ruiz**,
Pachuca, all of (MX)

* cited by examiner

Primary Examiner—Melody N. Brown
(74) *Attorney, Agent, or Firm*—Rader, Fishman & Grauer
PLLC

(73) Assignee: **Conсорcio G Grupo Dina, S.A. de**
C.V., Col. del Valle (MX)

(57) **CLAIM**

(**) Term: **14 Years**

The ornamental design for a truck cab, as shown and
described.

(21) Appl. No.: **29/120,514**

(22) Filed: **Mar. 20, 2000**

(30) **Foreign Application Priority Data**

Sep. 21, 1999 (MX) 991105

(51) **LOC (7) Cl.** **12-16**

(52) **U.S. Cl.** **D12/96**

(58) **Field of Search** D12/96, 97; 296/27,
296/182, 181, 183, 190; 180/89.12, 89.14,
89.16, 89.19

DESCRIPTION

FIG. 1 is a right perspective view in three quarters of the
front of the truck cab;
FIG. 2 is a left perspective view in three quarters of the front
of the truck cab;
FIG. 3 is a right side view of the truck cab;
FIG. 4 is a left side perspective view of the truck cab;
FIG. 5 is a front view of the cabin of the truck cab;
FIG. 6 shows a top perspective view of the cabin of the truck
cab;
FIG. 7 is a fragmentary rear and right side perspective view
of the truck cab; and,
FIG. 8 is a fragmentary rear and left side perspective view
of the truck cab.

The broken lines shown throughout the drawings are for
illustrative purposes only and form no part of the claimed
design.

(56) **References Cited**

U.S. PATENT DOCUMENTS

D323,134 S * 1/1992 Lechner D12/96
D394,026 S * 5/1998 Hellhake et al. D12/96
D406,552 S * 3/1999 Hellhake et al. D12/96

1 Claim, 8 Drawing Sheets

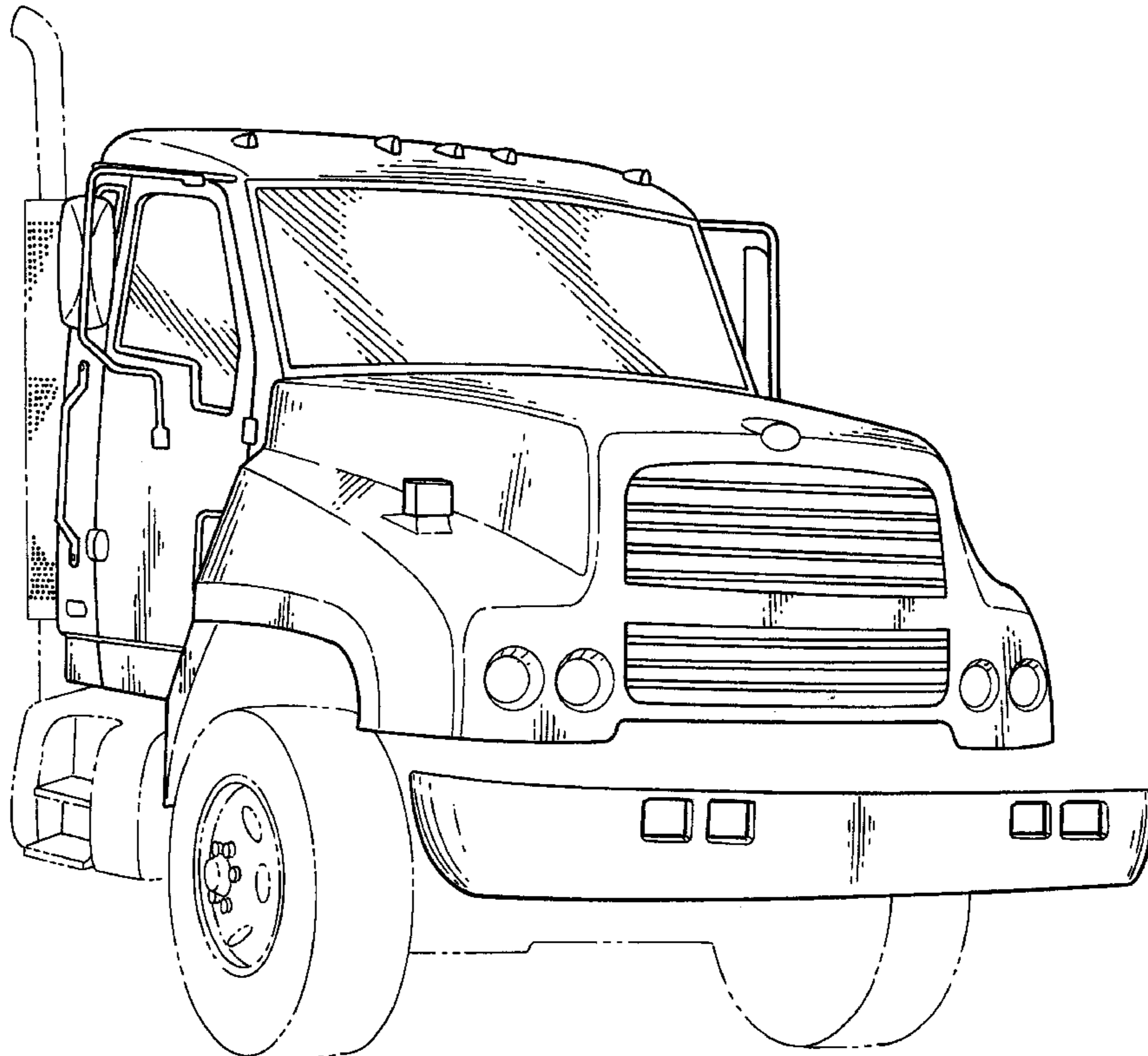


FIG-1

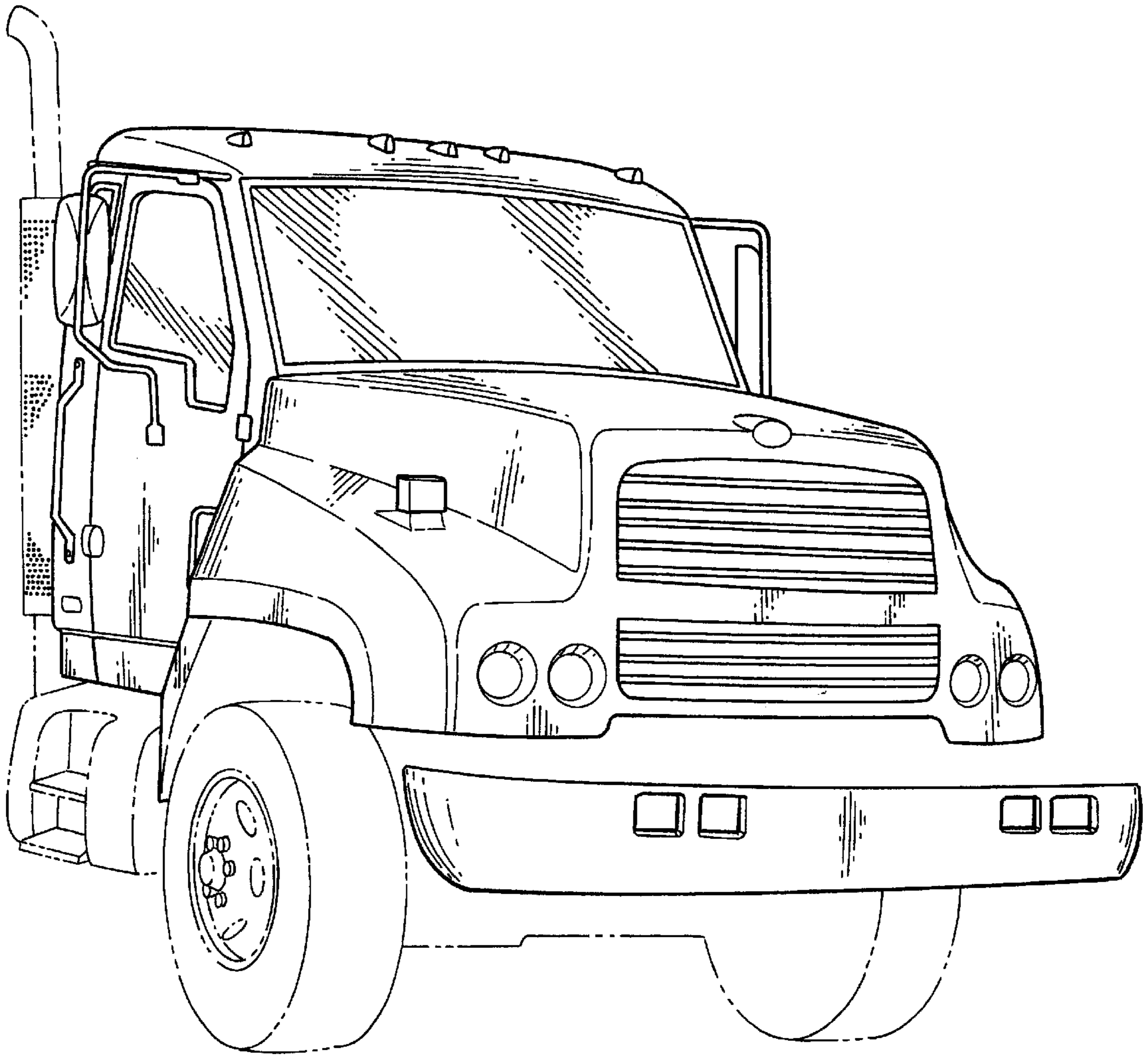


FIG-2

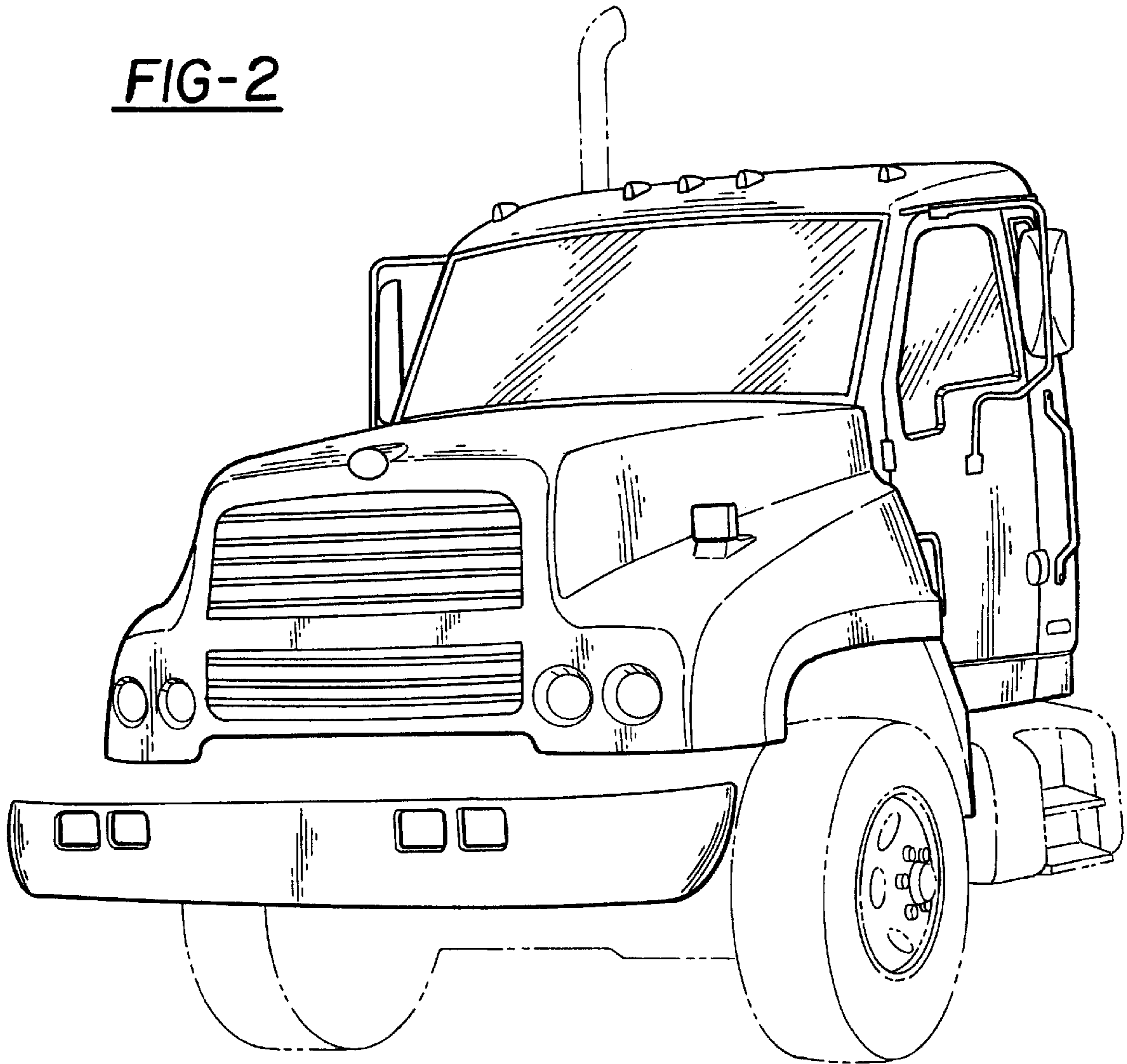


FIG-3

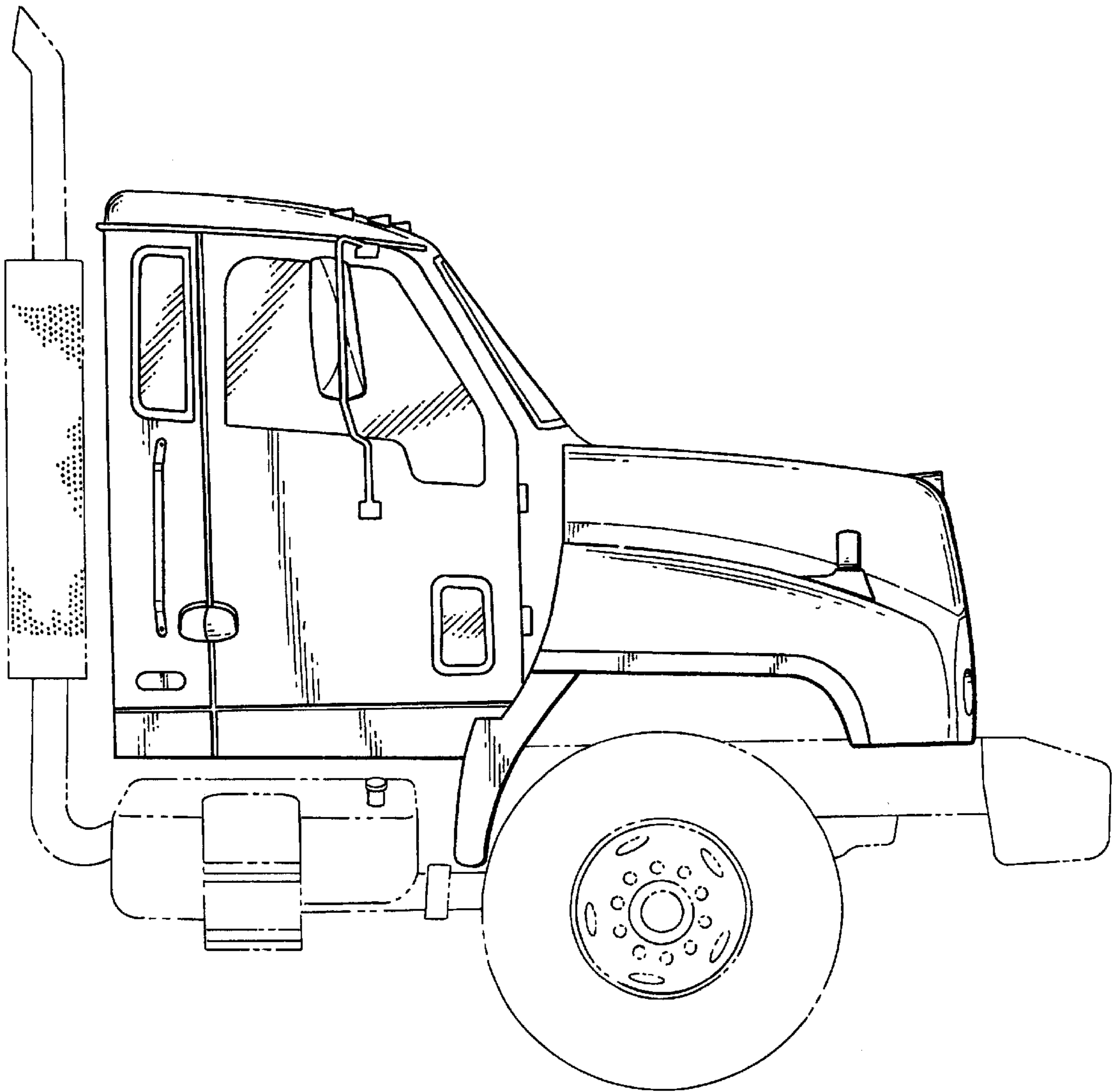


FIG-4

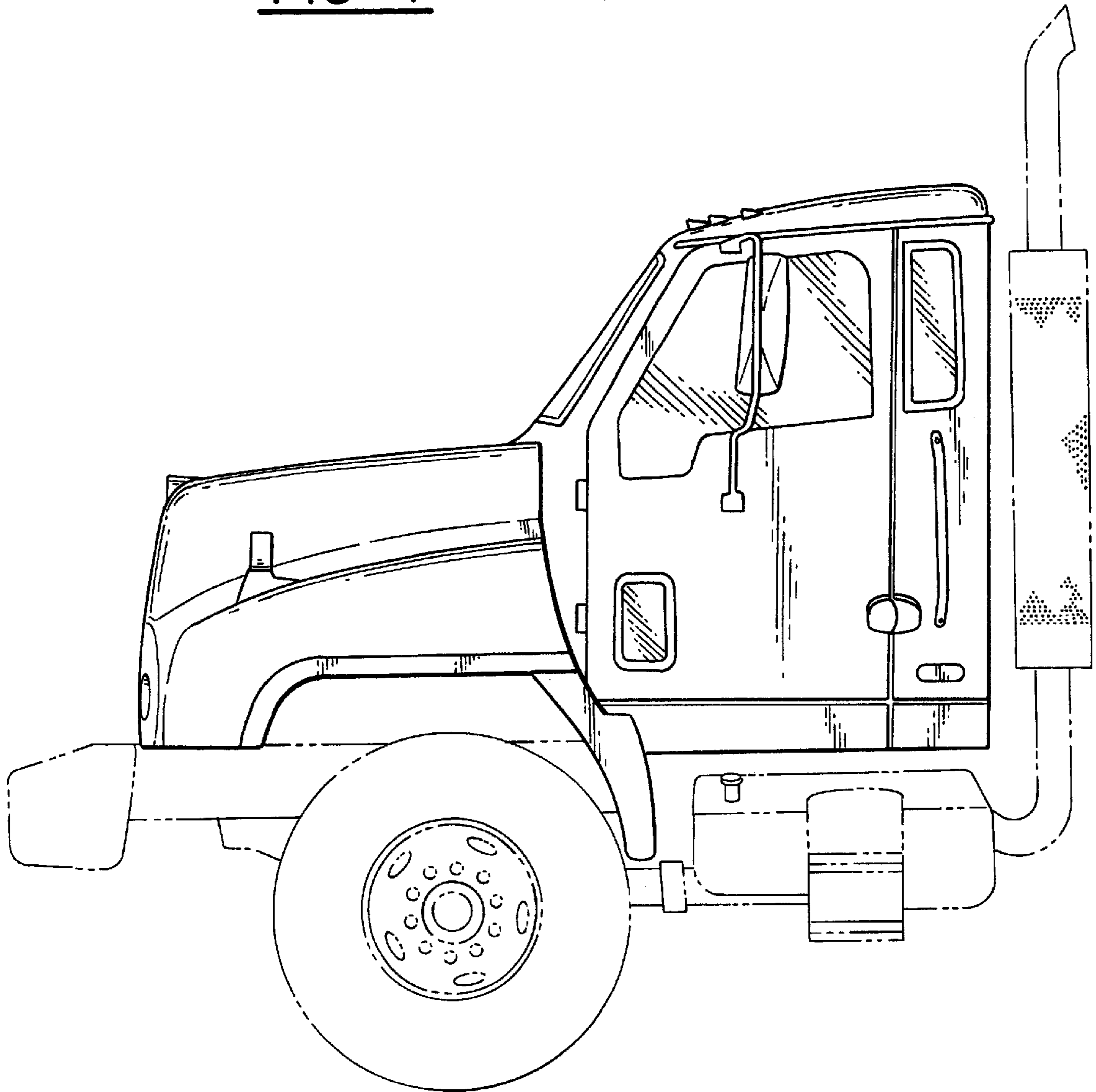


FIG-5

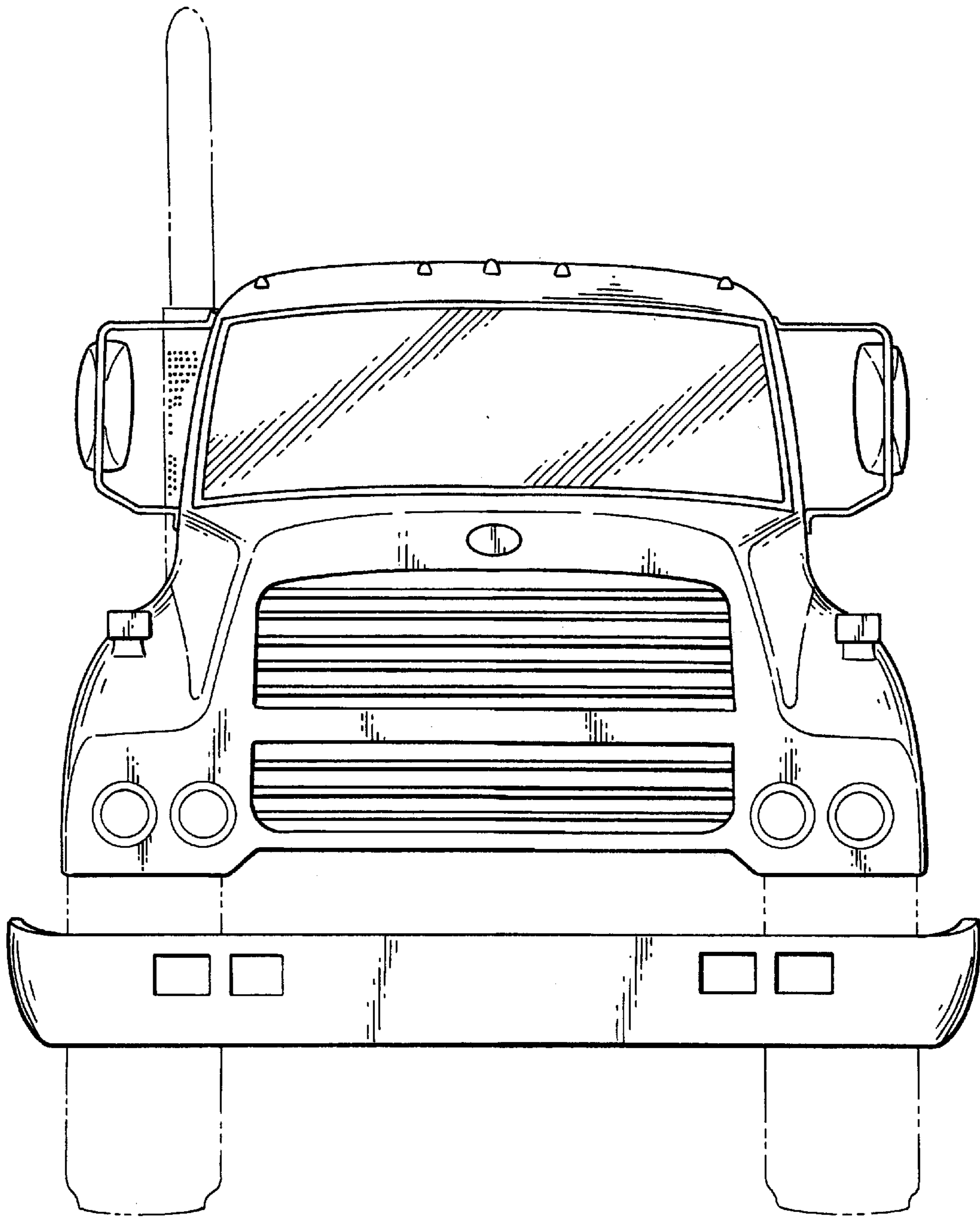


FIG-6

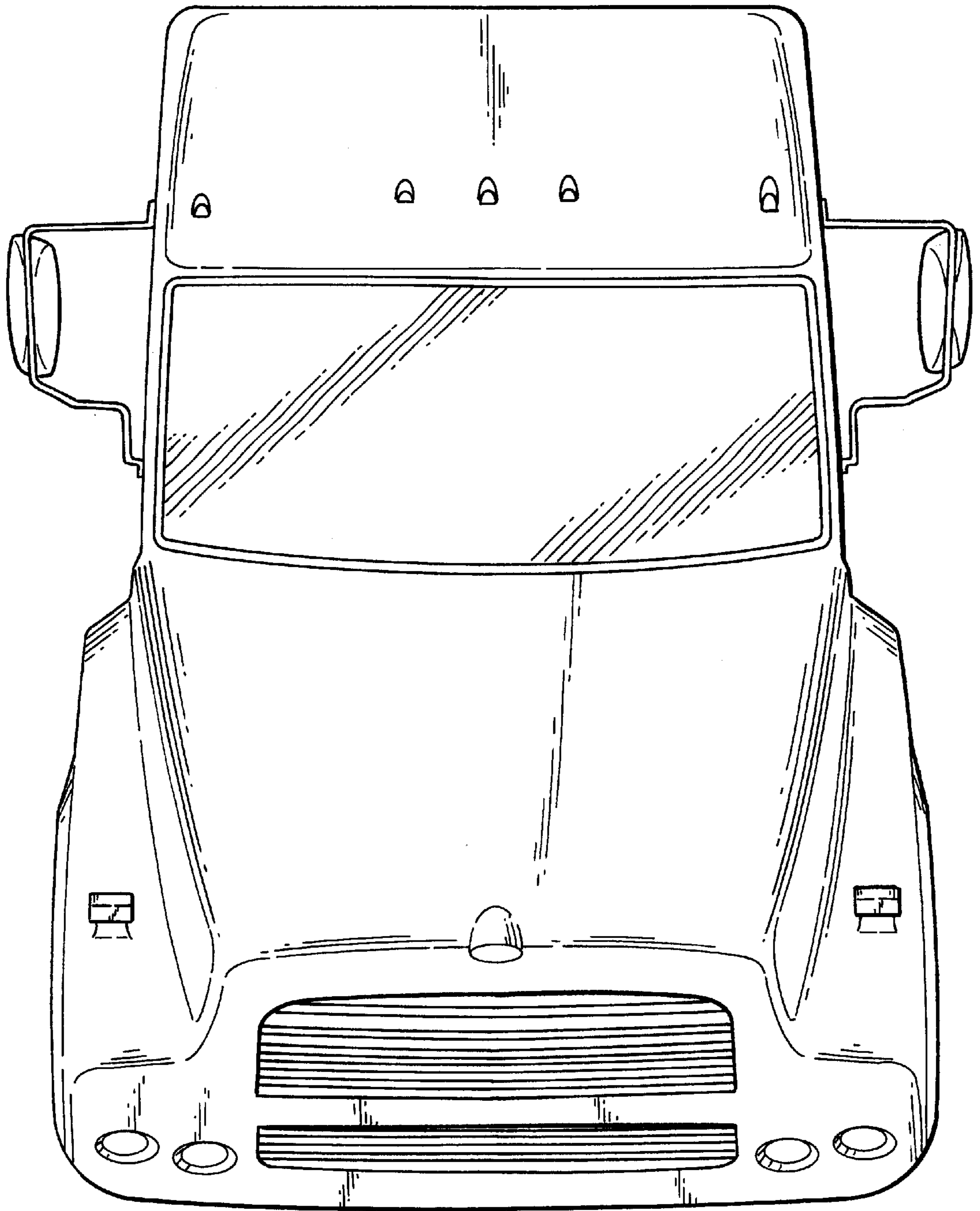


FIG-7

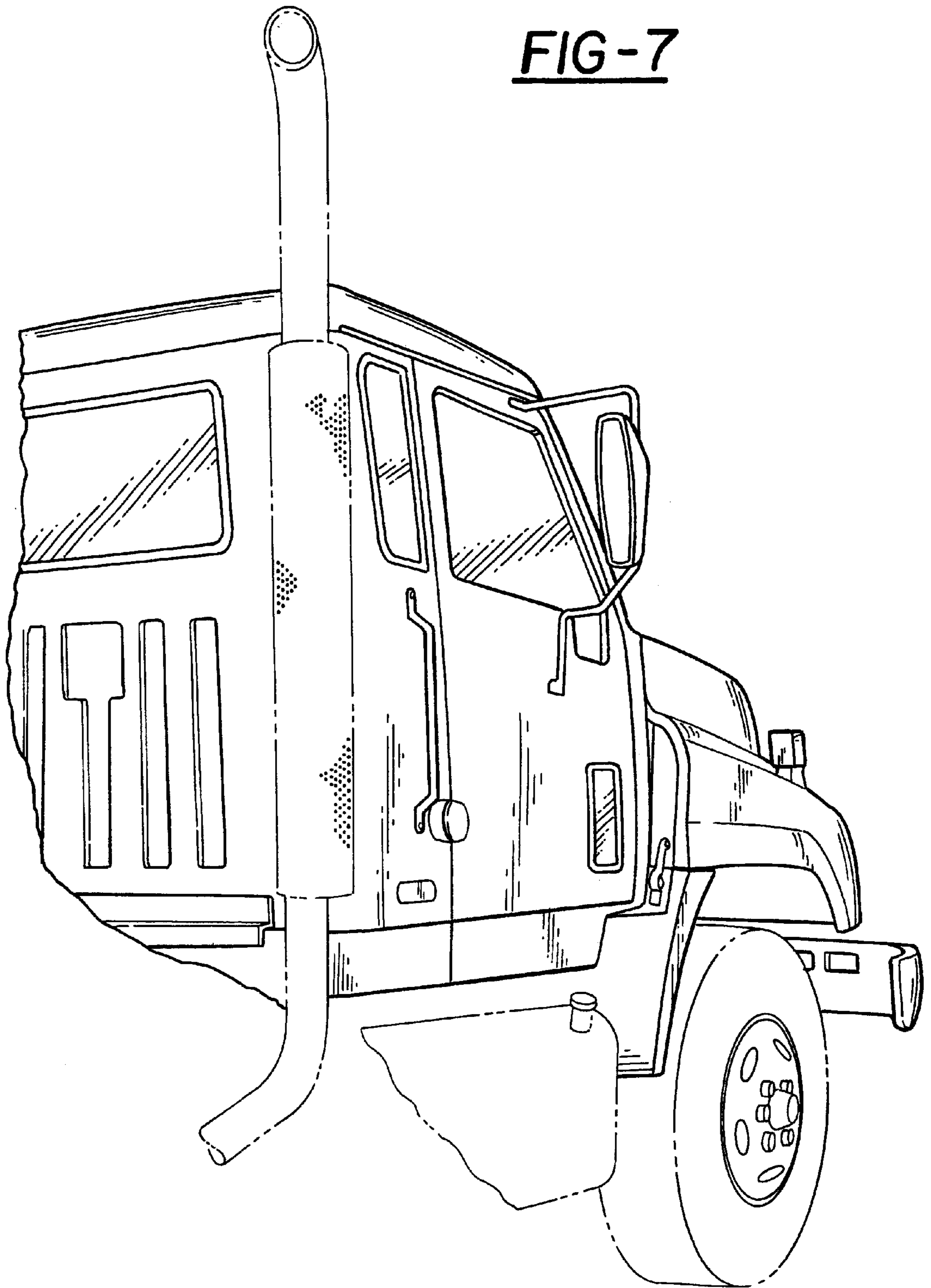


FIG-8

