



US00D462033S

(12) **United States Design Patent**  
**Reichert**

(10) **Patent No.:** **US D462,033 S**

(45) **Date of Patent:** **\*\* Aug. 27, 2002**

(54) **PLANTER**

(76) Inventor: **Donald Reichert**, P.O. Box 141644,  
Spokane, WA (US) 99214

(\*\*) Term: **14 Years**

(21) Appl. No.: **29/144,498**

(22) Filed: **Jul. 5, 2001**

(51) **LOC (7) Cl.** ..... **11-02**

(52) **U.S. Cl.** ..... **D11/155**

(58) **Field of Search** ..... D11/143-147,  
D11/155, 156; D6/474-476, 403; 47/39,  
40, 41.01, 65.5, 65.9, 66.1, 68, 69; 206/423;  
248/27.8

(56) **References Cited**

**U.S. PATENT DOCUMENTS**

- 2,143,338 A \* 1/1939 Wartkins ..... 47/39
- 2,960,797 A \* 11/1960 Frehner ..... D11/144
- D290,564 S \* 6/1987 Belokin ..... D6/474
- 5,095,649 A \* 3/1992 Brownlee ..... 47/41.01

- D363,688 S \* 10/1995 Turrentine ..... D11/143
- D407,994 S \* 4/1999 Adinolfi et al. .... D11/143

\* cited by examiner

*Primary Examiner*—Doris V. Coles

*Assistant Examiner*—Mimosa De

(74) *Attorney, Agent, or Firm*—Anne K. Burkhardt; Patrick  
N. Burkhardt; Burkhardt & Burkhardt

(57) **CLAIM**

The ornamental design for a planter, as shown and  
described.

**DESCRIPTION**

FIG. 1 is a front perspective view of a planter according to my  
invention;

FIG. 2 is a left side elevational view thereof;

FIG. 3 is a right side elevational view thereof;

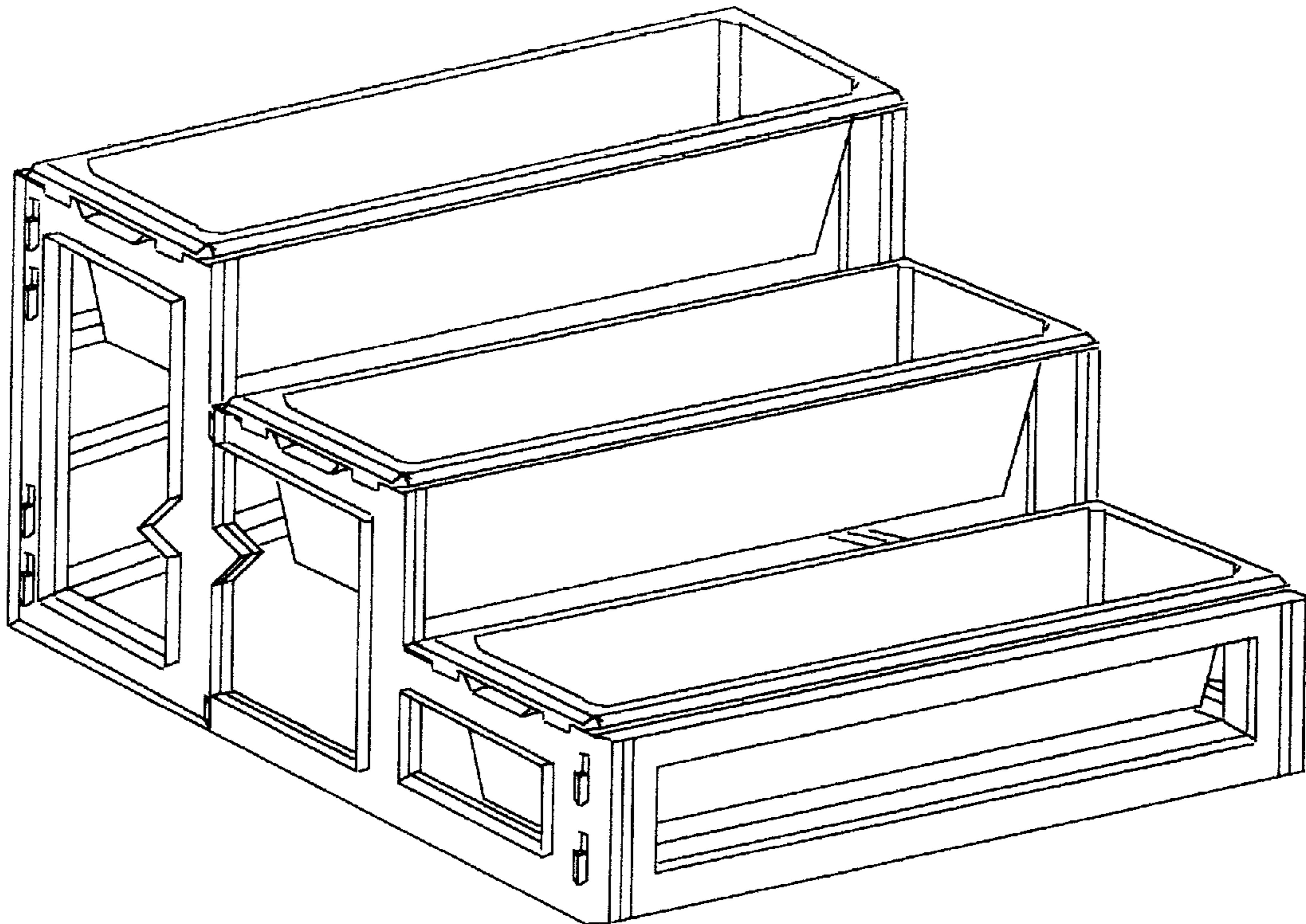
FIG. 4 is a top plan view thereof;

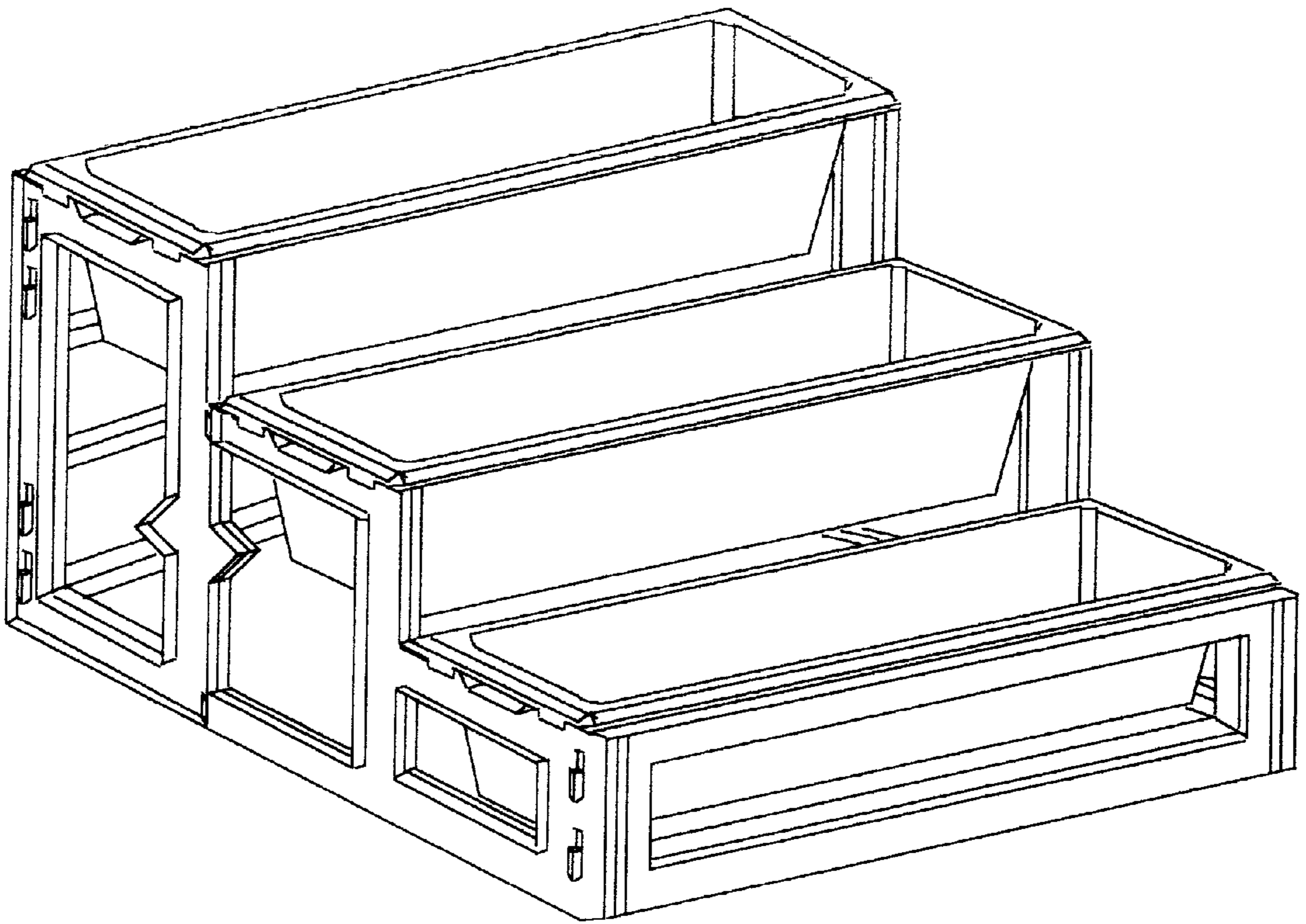
FIG. 5 is a front elevational view thereof;

FIG. 6 is a rear elevational view thereof; and,

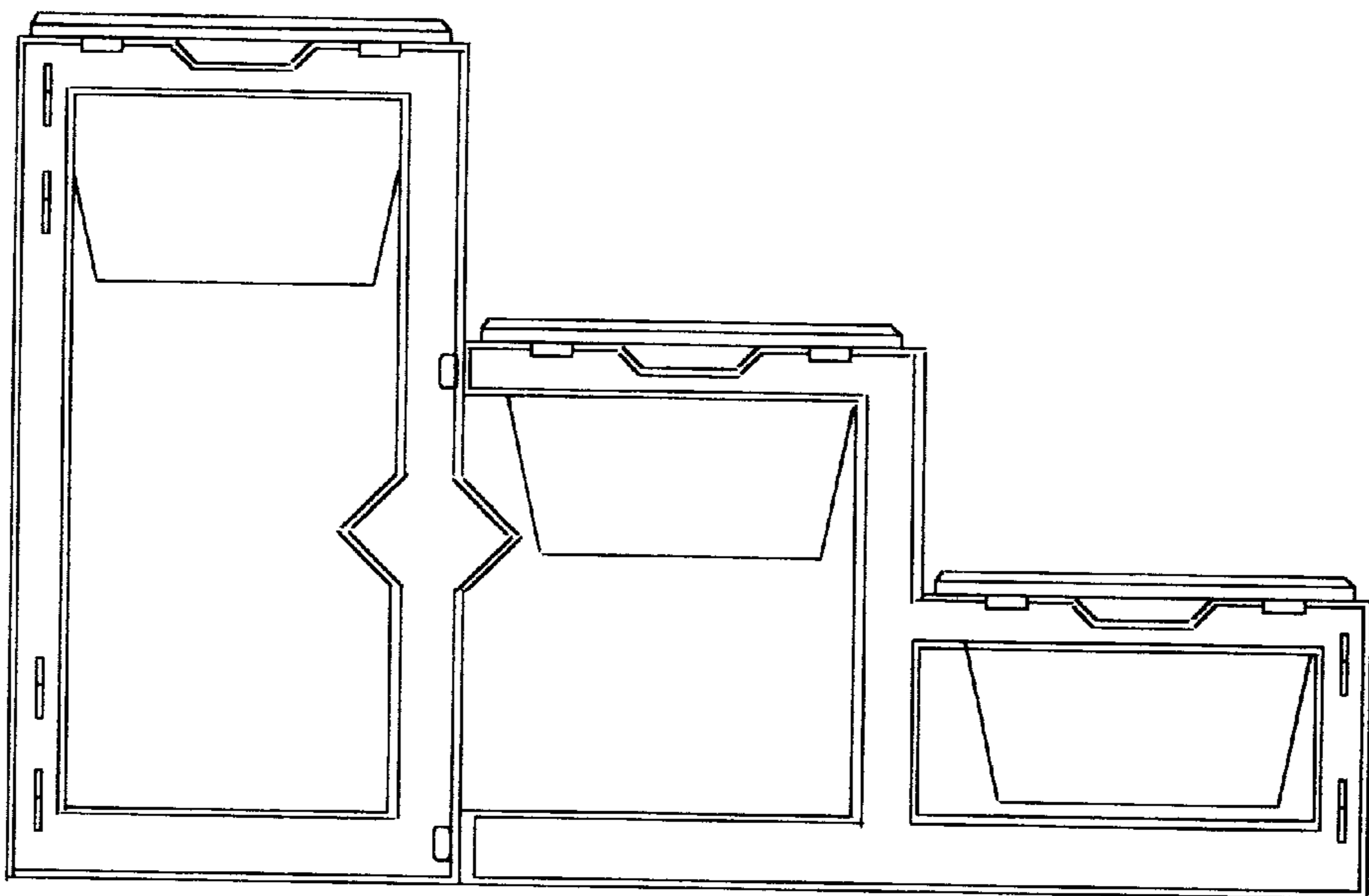
FIG. 7 is a bottom plan view thereof.

**1 Claim, 4 Drawing Sheets**

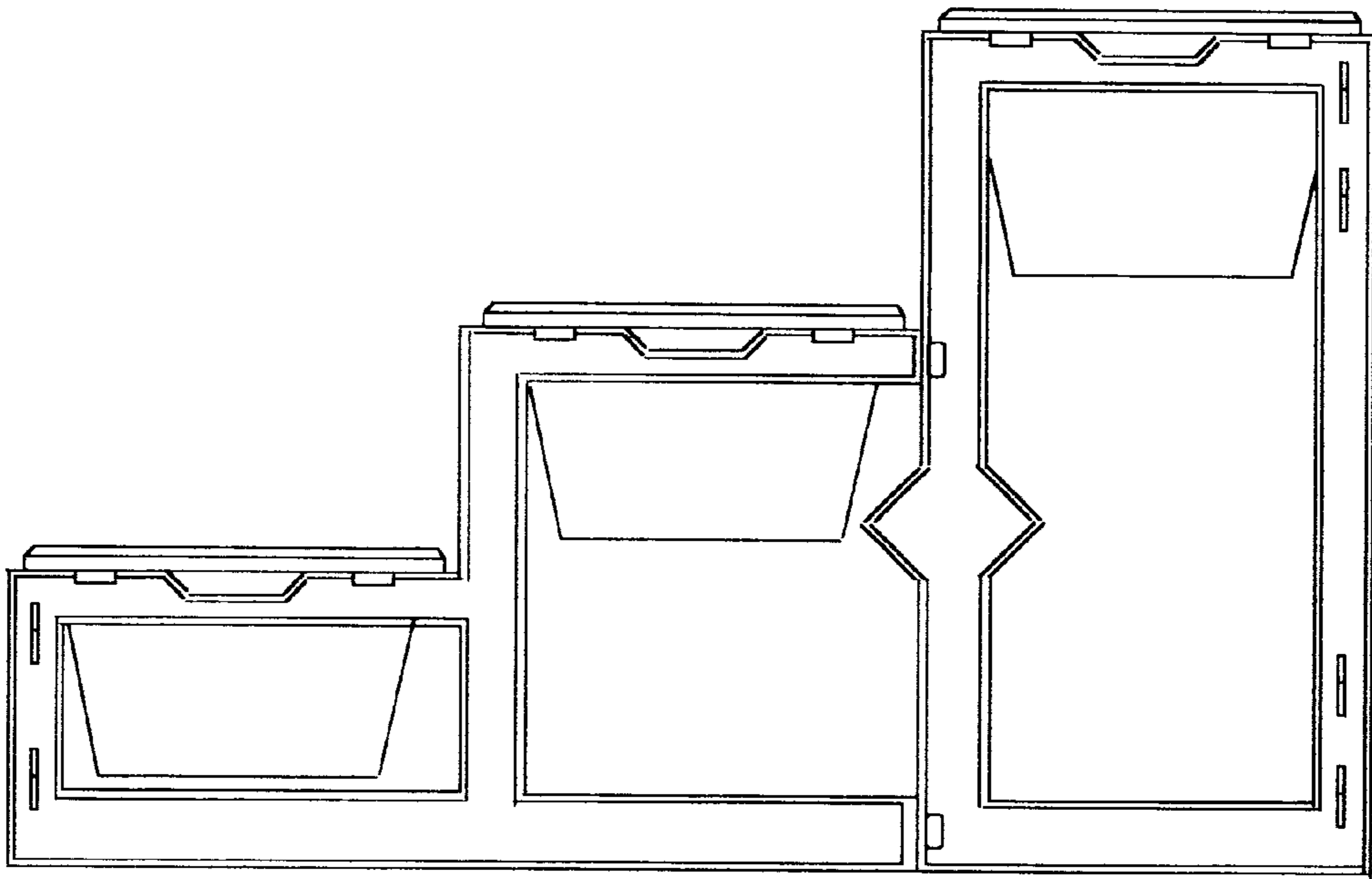




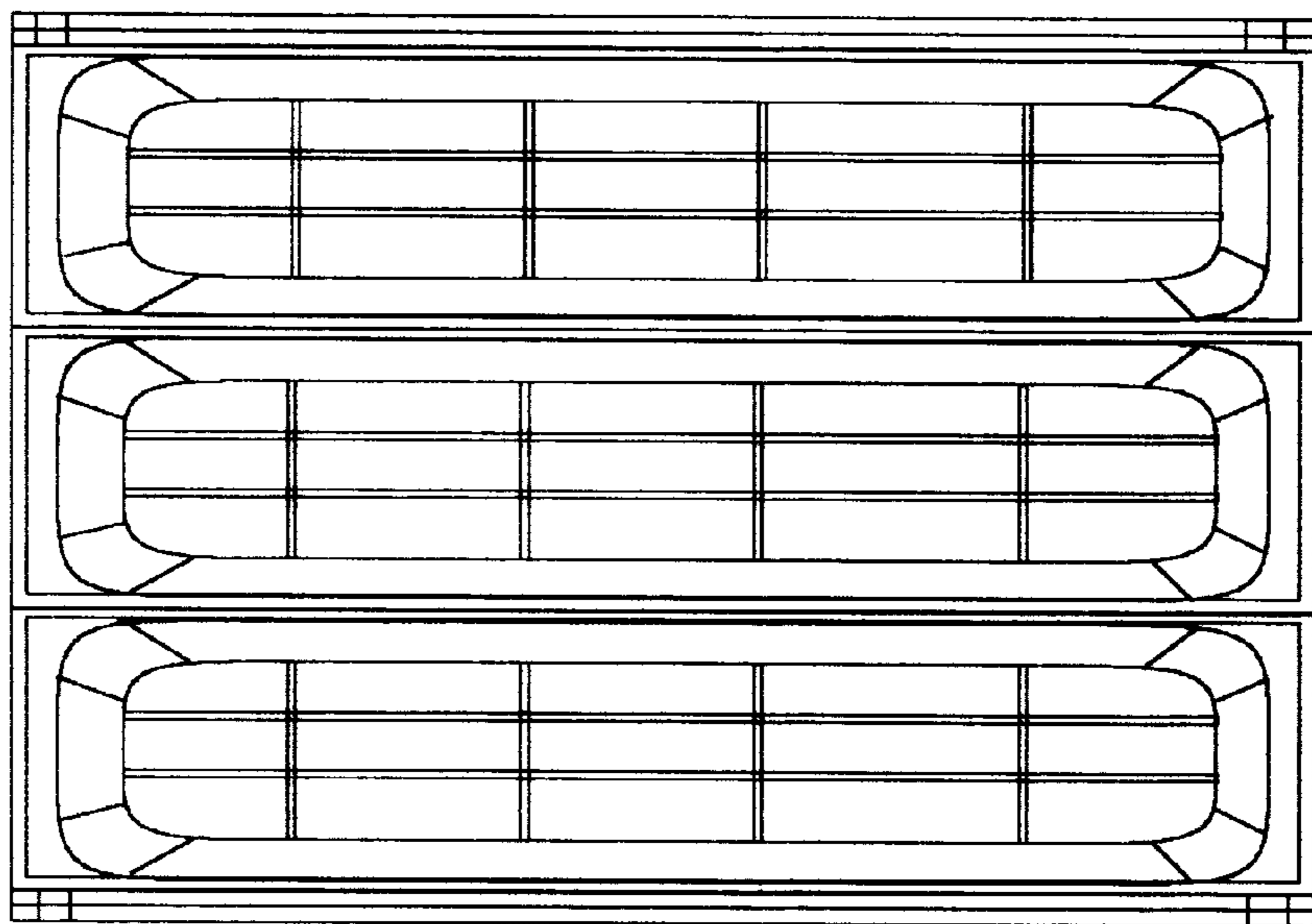
**FIG. 1**



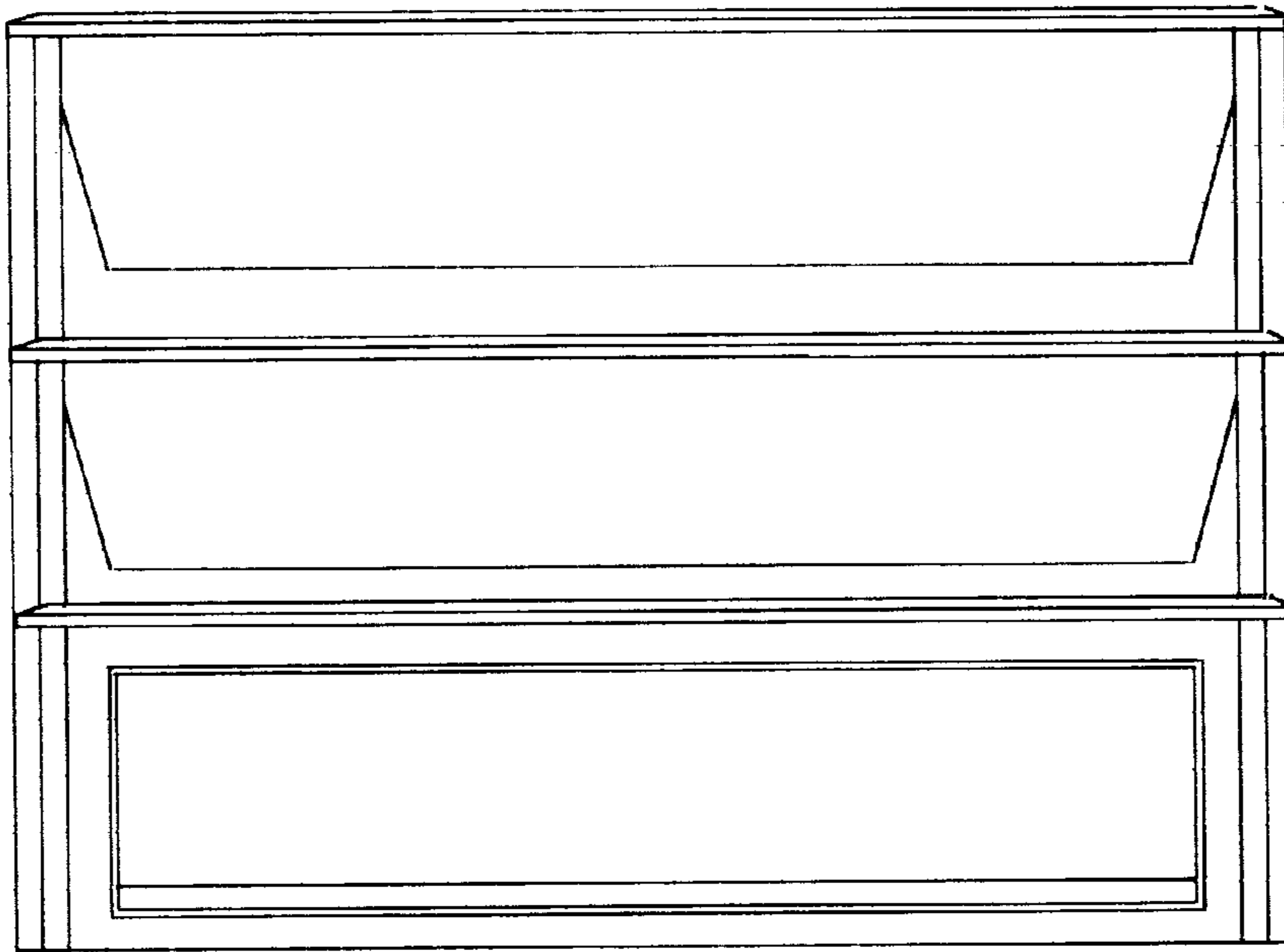
**FIG. 2**



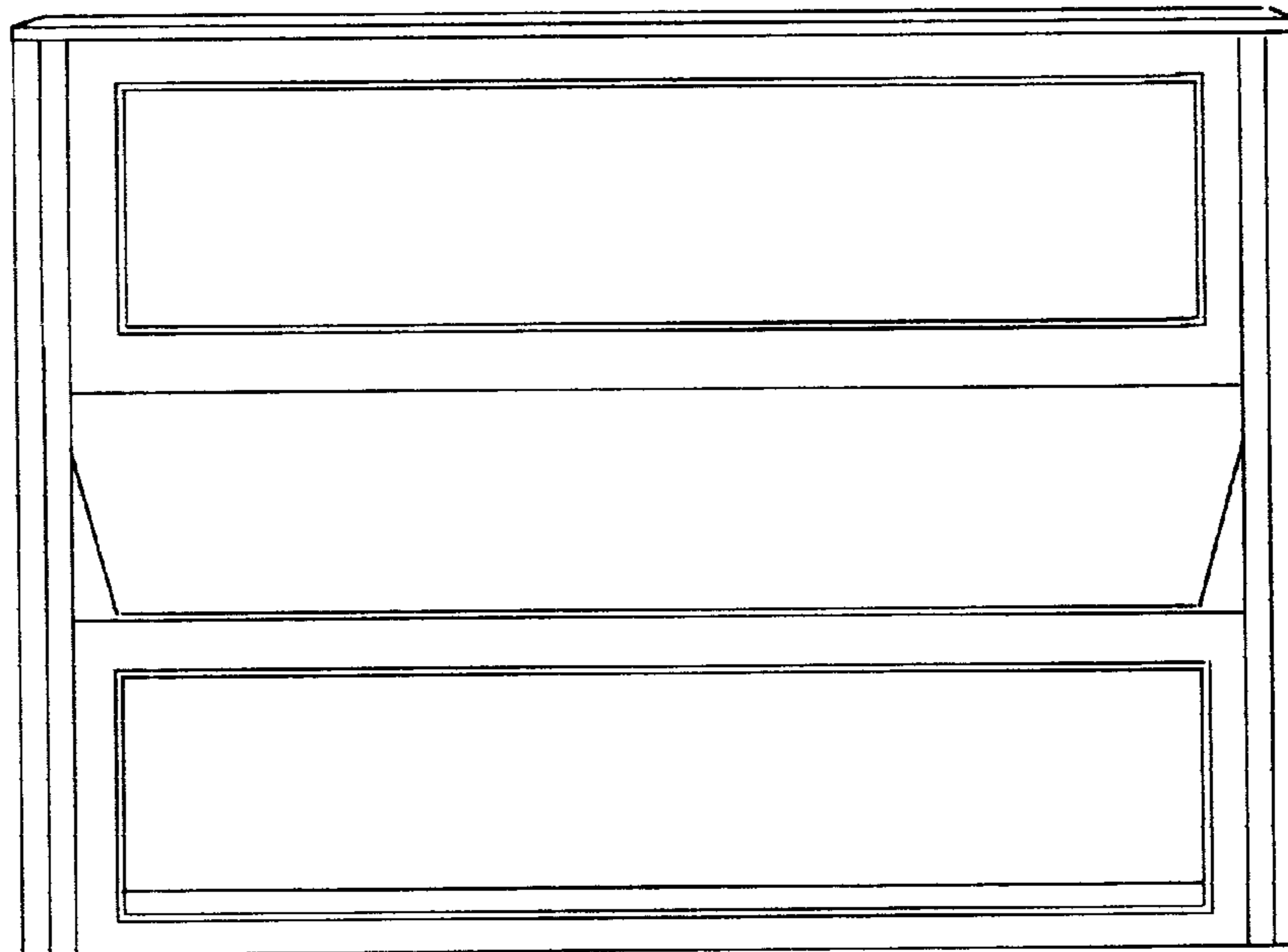
**FIG. 3**



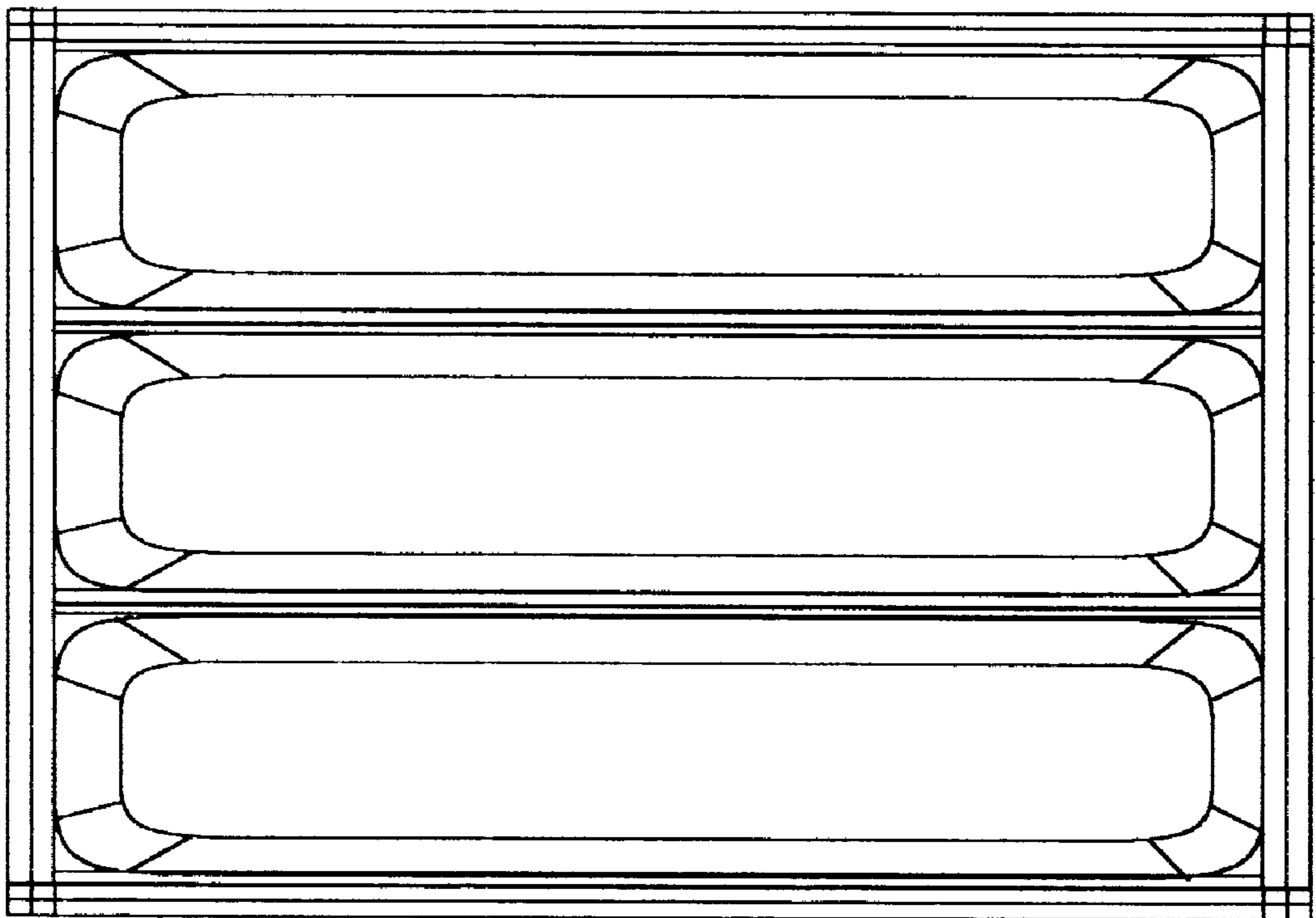
**FIG. 4**



**FIG. 5**



**FIG. 6**



**FIG. 7**