



US00D462028S

(12) **United States Design Patent**
Roure

(10) **Patent No.:** **US D462,028 S**

(45) **Date of Patent:** **** Aug. 27, 2002**

(54) **RING**

(75) **Inventor:** **Alain Roure, Lyons (FR)**

(73) **Assignee:** **Alain Roure Creations S.A. (FR)**

(**) **Term:** **14 Years**

(21) **Appl. No.:** **29/113,036**

(22) **Filed:** **Oct. 28, 1999**

(30) **Foreign Application Priority Data**

Apr. 28, 1999 (XH) DM/047 776

(51) **LOC (7) Cl.** **11-01**

(52) **U.S. Cl.** **D11/26**

(58) **Field of Search** D11/26-39; 63/15,
63/15.1-15.4, 15.45, 15.65, 15.7-15.8,
26-28

(56) **References Cited**

U.S. PATENT DOCUMENTS

D30,455 S	*	4/1899	Fink	D11/35
D35,749 S	*	2/1902	Wittstein	D11/35
1,529,606 A	*	3/1925	O'Donnell	63/26
1,641,575 A	*	9/1927	Cibor	63/15.45
1,918,487 A	*	7/1933	Pilblad	63/26
2,048,317 A	*	7/1936	Berman	63/15.8

2,176,727 A	*	10/1939	Simmons	63/15
2,181,507 A	*	11/1939	Chickering	63/15
2,273,227 A	*	2/1942	Simmons	63/26
3,619,913 A	*	11/1971	Albrecht	63/15.7
D372,437 S	*	8/1996	Petrucci	D11/26
D395,255 S	*	6/1998	Kothari	D11/26
D402,912 S	*	12/1998	Itzkowitz	D11/29
D404,332 S	*	1/1999	Perrin et al.	D11/26
D404,335 S	*	1/1999	Perrin et al.	D11/29

* cited by examiner

Primary Examiner—Cathy Anne MacCormac
(74) *Attorney, Agent, or Firm*—Mathews, Collins,
Shepherd & Gould, P.A.

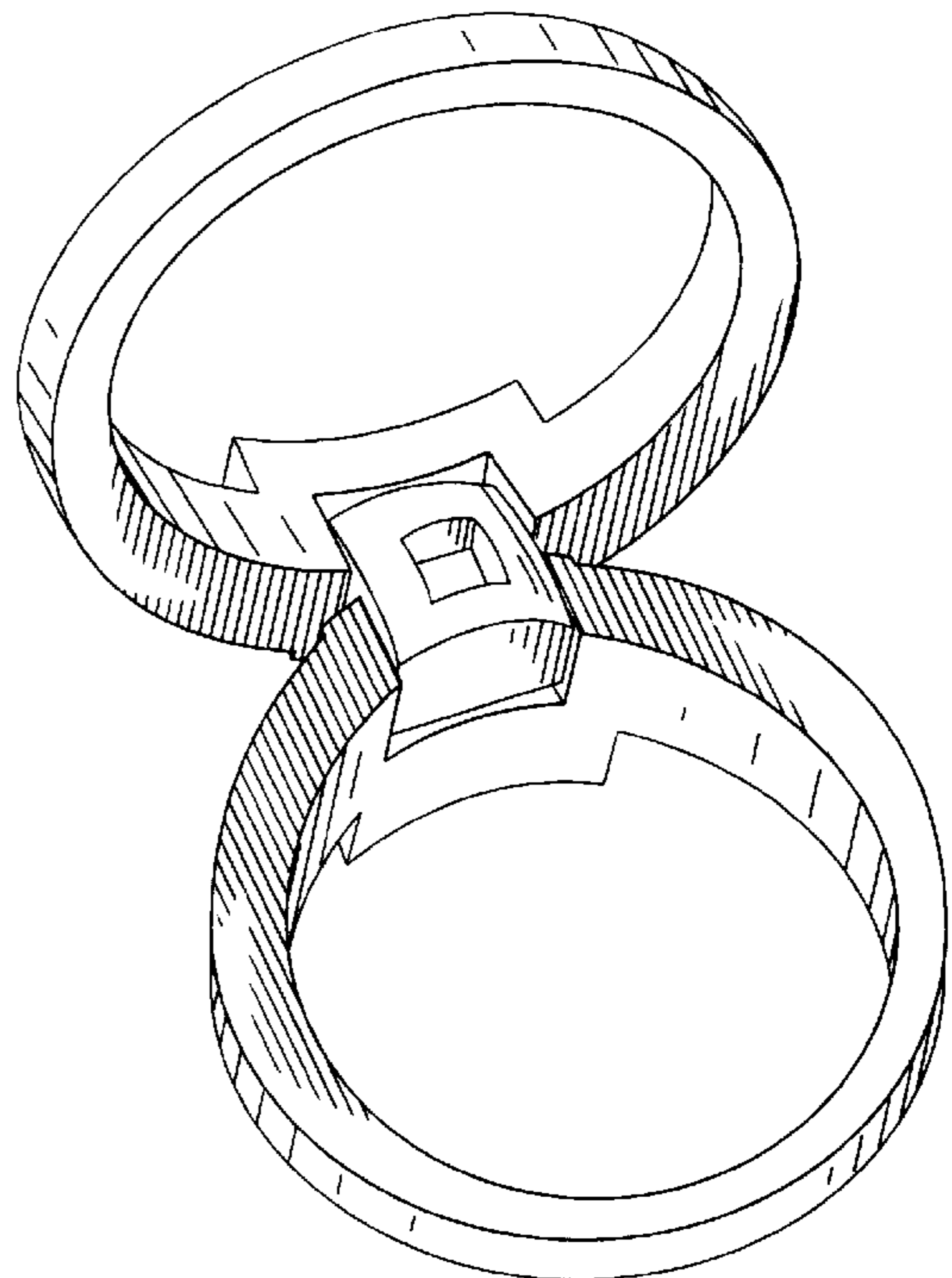
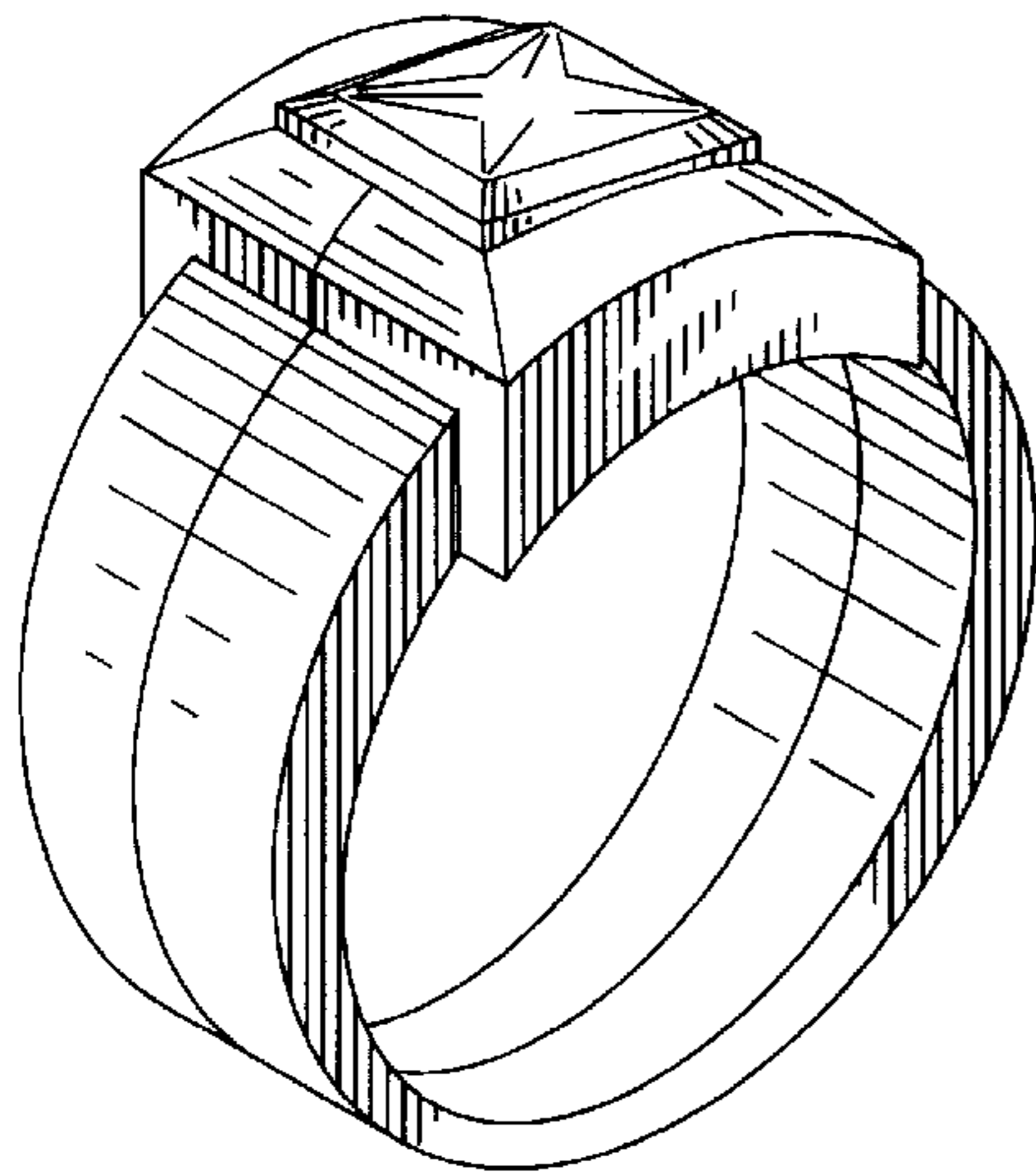
(57) **CLAIM**

The ornamental design for a ring, as shown and described.

DESCRIPTION

FIG. 1 is a side and front perspective view of a ring, showing my new design;
FIG. 2 is a side view thereof;
FIG. 3 is a top view thereof;
FIG. 4 is a bottom view thereof;
FIG. 5 is a front view; and,
FIG. 6 is another perspective view of the ring in a different position.

1 Claim, 6 Drawing Sheets



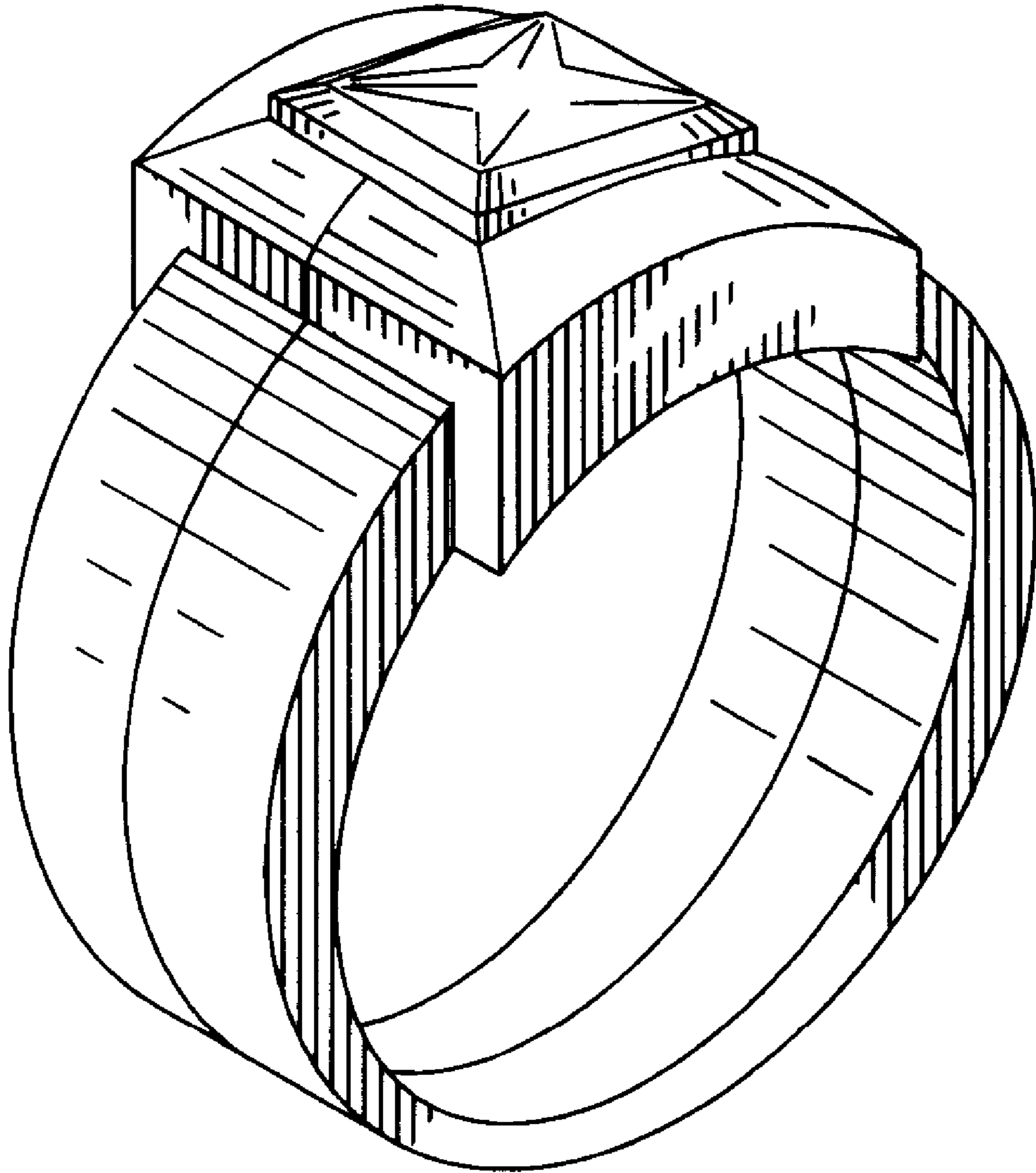


FIG. 1.

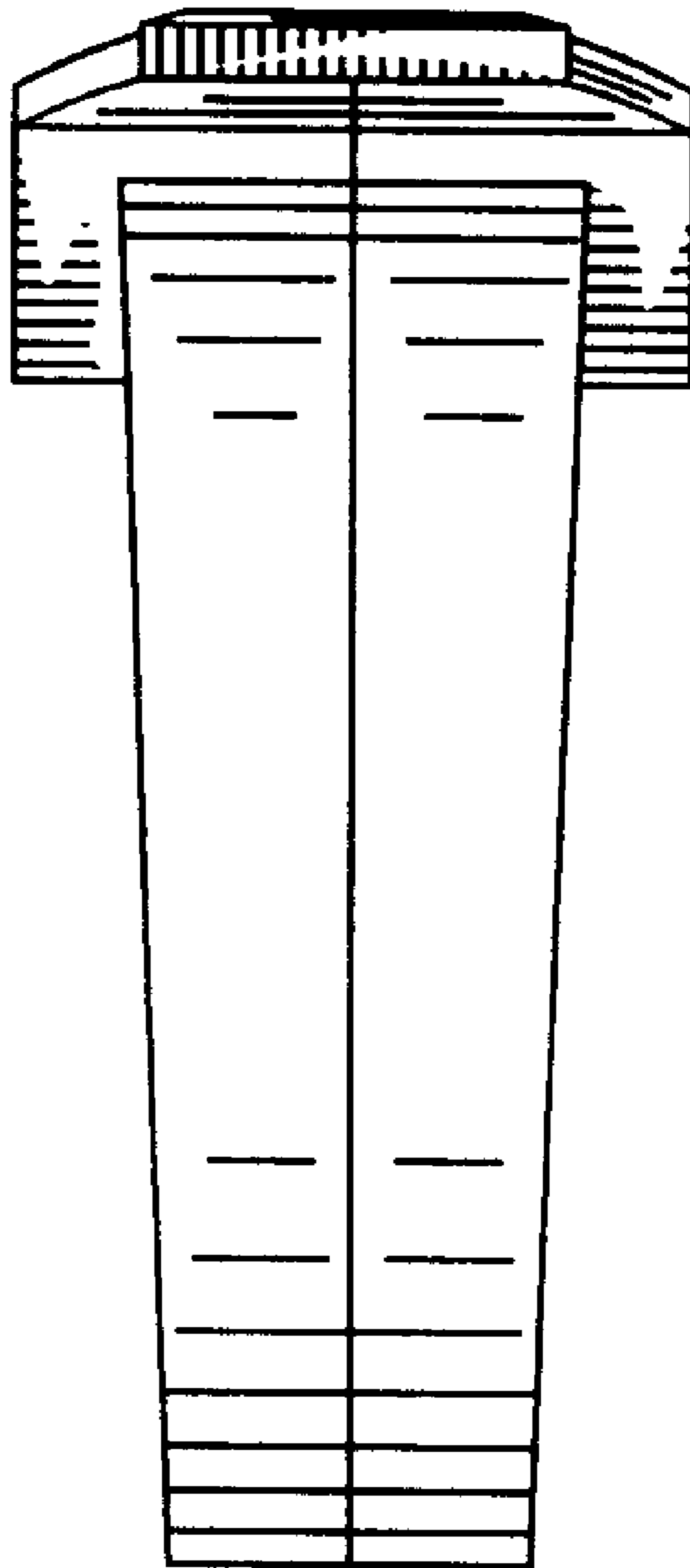


FIG. 2.

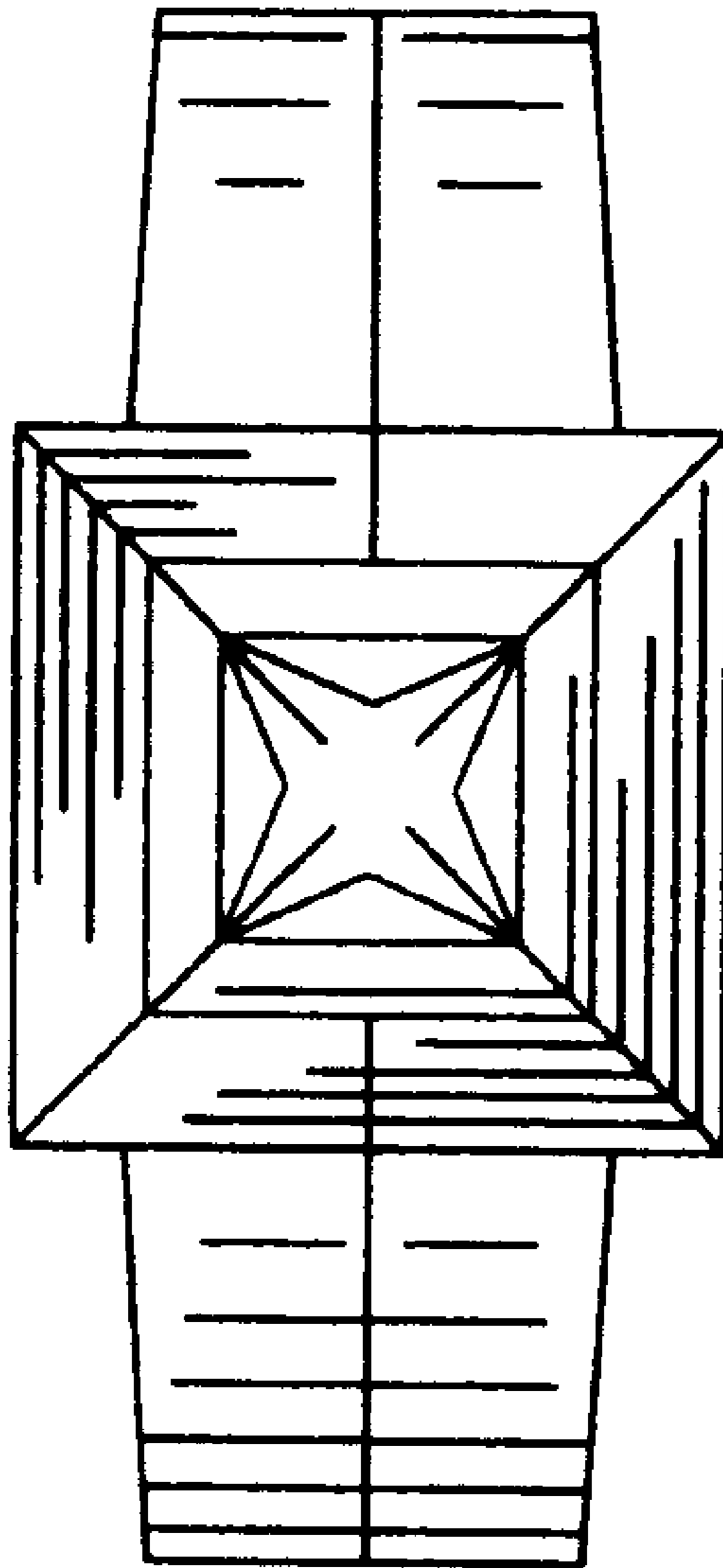


FIG. 3.

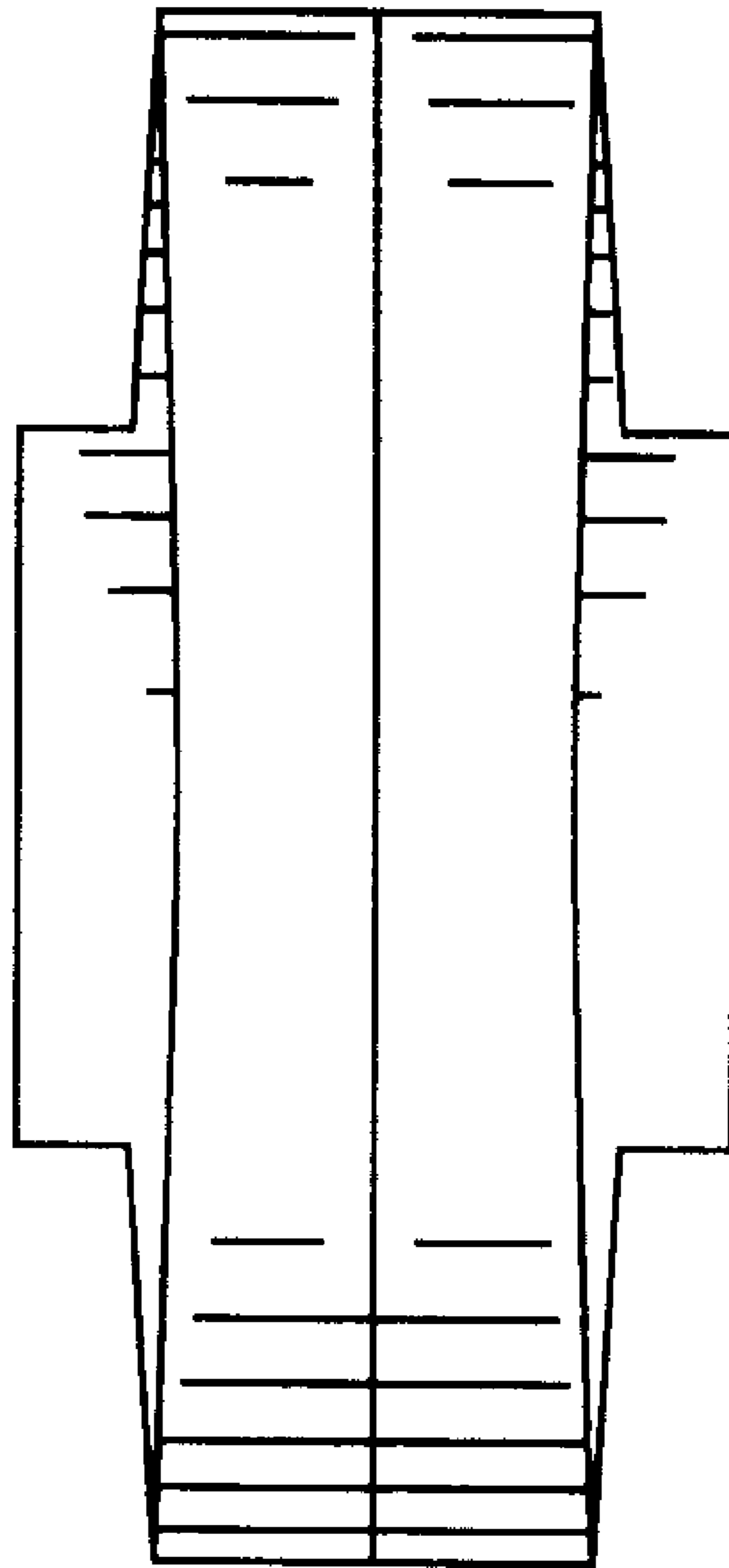


FIG. 4.

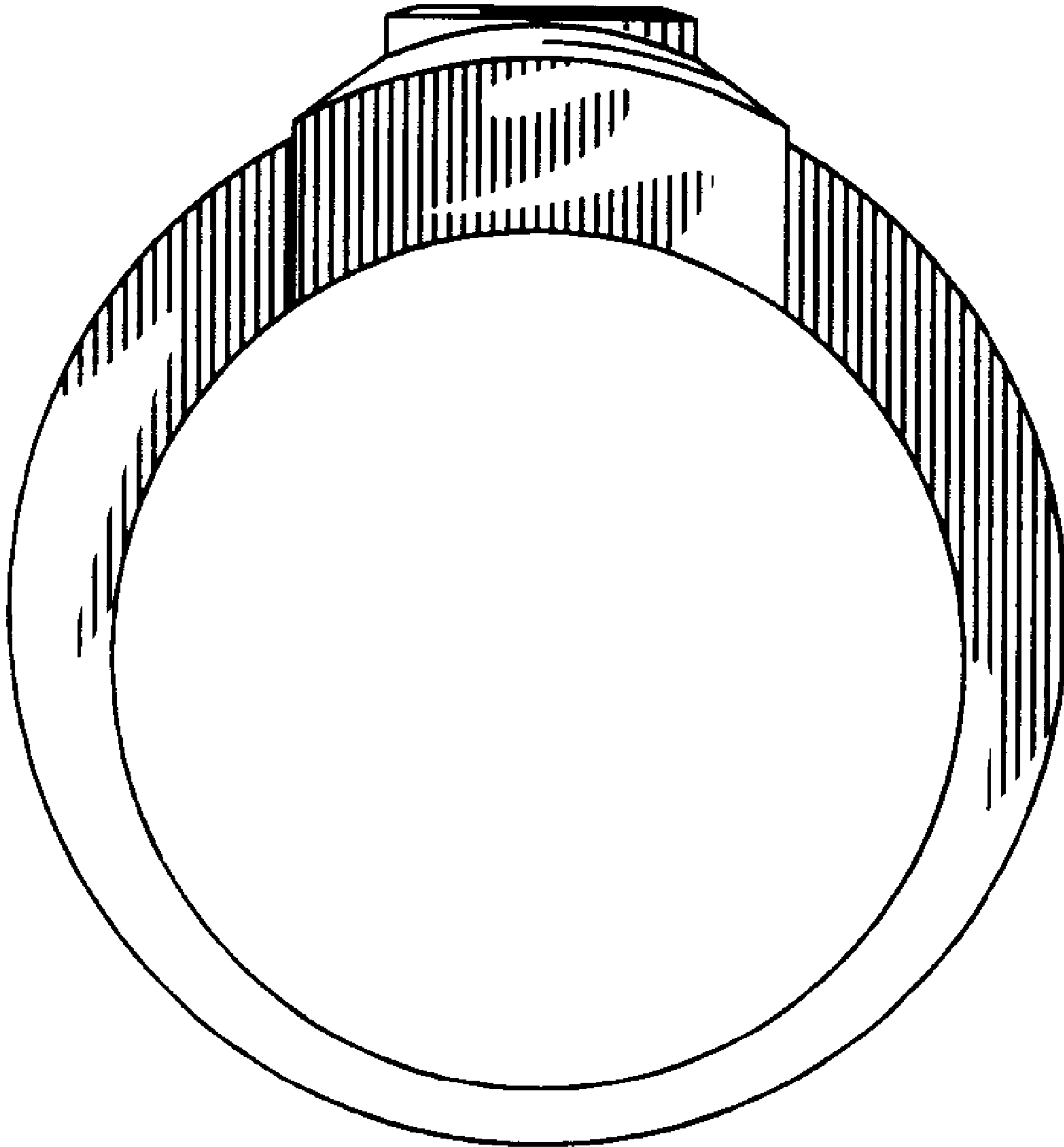


FIG. 5.

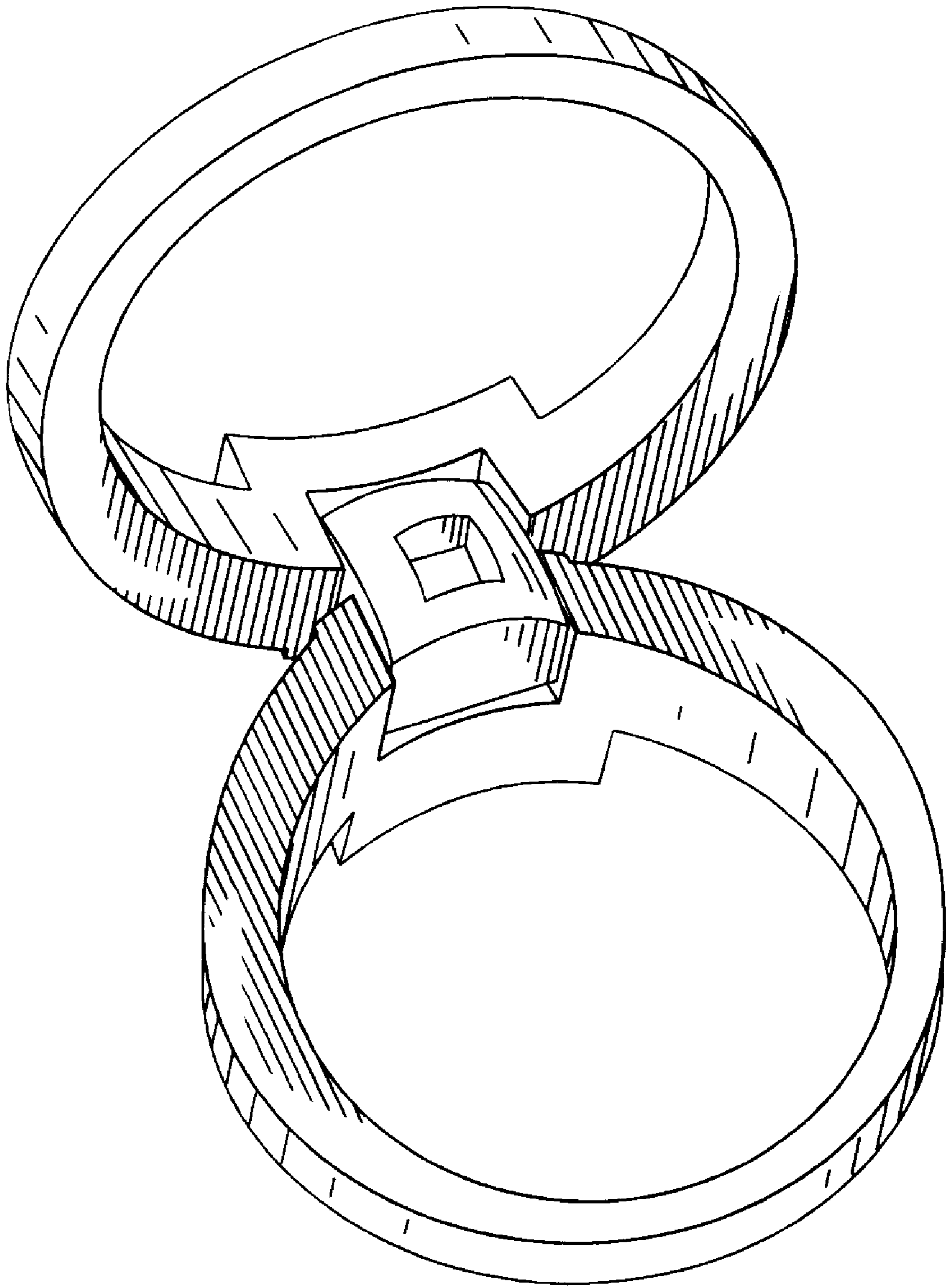


FIG. 6.