



US00D462026S

(12) **United States Design Patent**
Christiansen

(10) **Patent No.:** **US D462,026 S**

(45) **Date of Patent:** **** Aug. 27, 2002**

(54) **FLOW METER END FITTING WITH INTEGRAL TUBE CONNECTOR**

Primary Examiner—Antoine Duval Davis

(76) **Inventor:** **Tom Christiansen**, 6012 S. Newlin, Apt. D, Whittier, CA (US) 90601

(57) **CLAIM**

The ornamental design for a “flow meter end fitting with integral tube connector”, as shown and described.

(**) **Term:** **14 Years**

DESCRIPTION

(21) **Appl. No.:** **29/139,525**

(22) **Filed:** **Mar. 31, 2001**

(51) **LOC (7) Cl.** **10-04**

(52) **U.S. Cl.** **D10/103; D10/96**

(58) **Field of Search** **D15/199; D10/96, D10/103; 222/207, 212, 215, 355, 361, 378, 380, 383.1, 567, 568**

FIG. 1 is a perspective view of a flow meter end fitting with integral tubing connector showing my new design;

FIG. 2 is a right side elevational view, left side elevational view and the bottom plan being a mirrored image thereof;

FIG. 3 is a front elevational view thereof;

FIG. 4 is a rear elevational view thereof; and,

FIG. 5 is a top plan view thereof.

(56) **References Cited**

U.S. PATENT DOCUMENTS

6,343,716 B1 * 2/2002 Haudin et al. 222/212 X

* cited by examiner

1 Claim, 3 Drawing Sheets

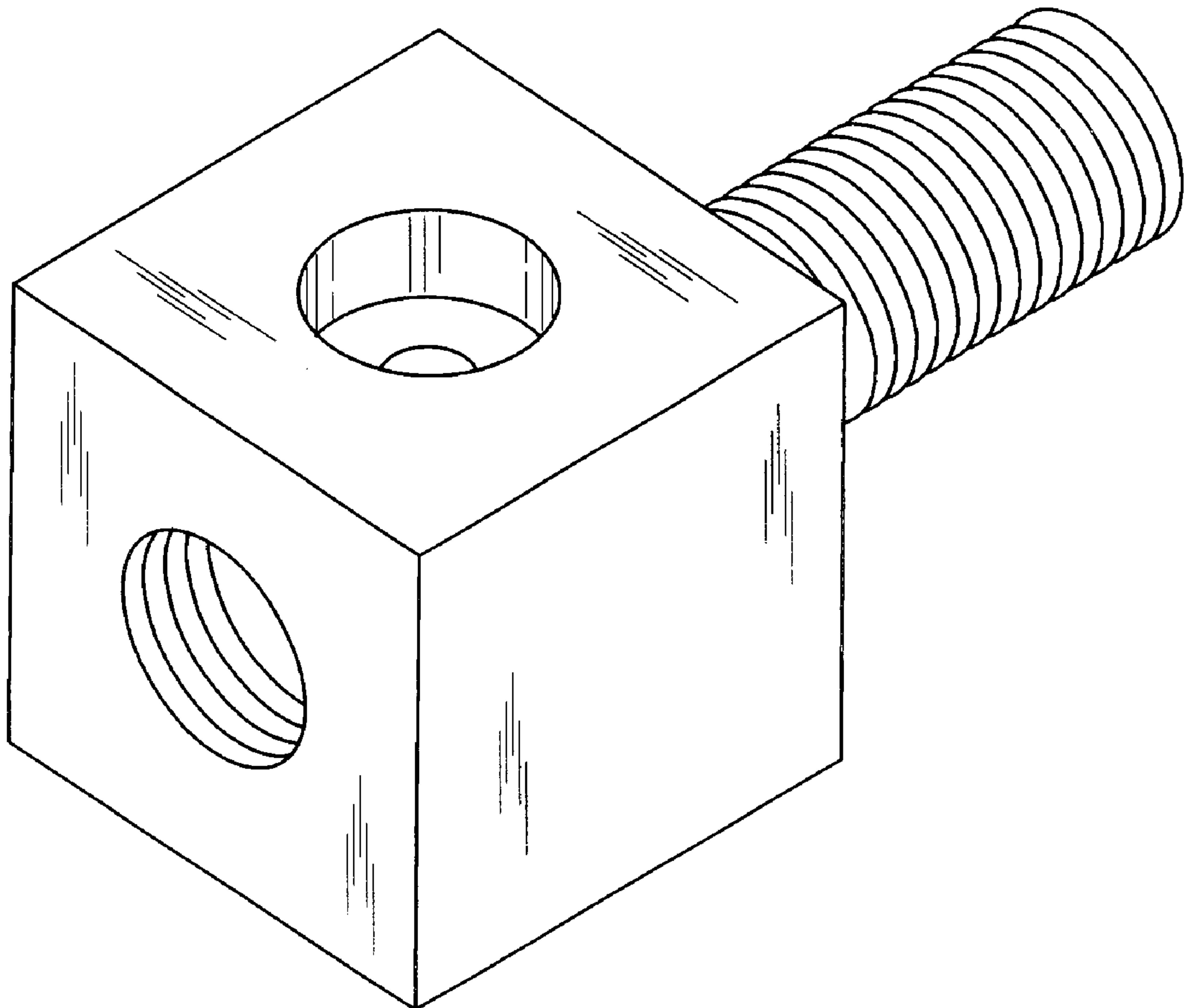


Fig. 1

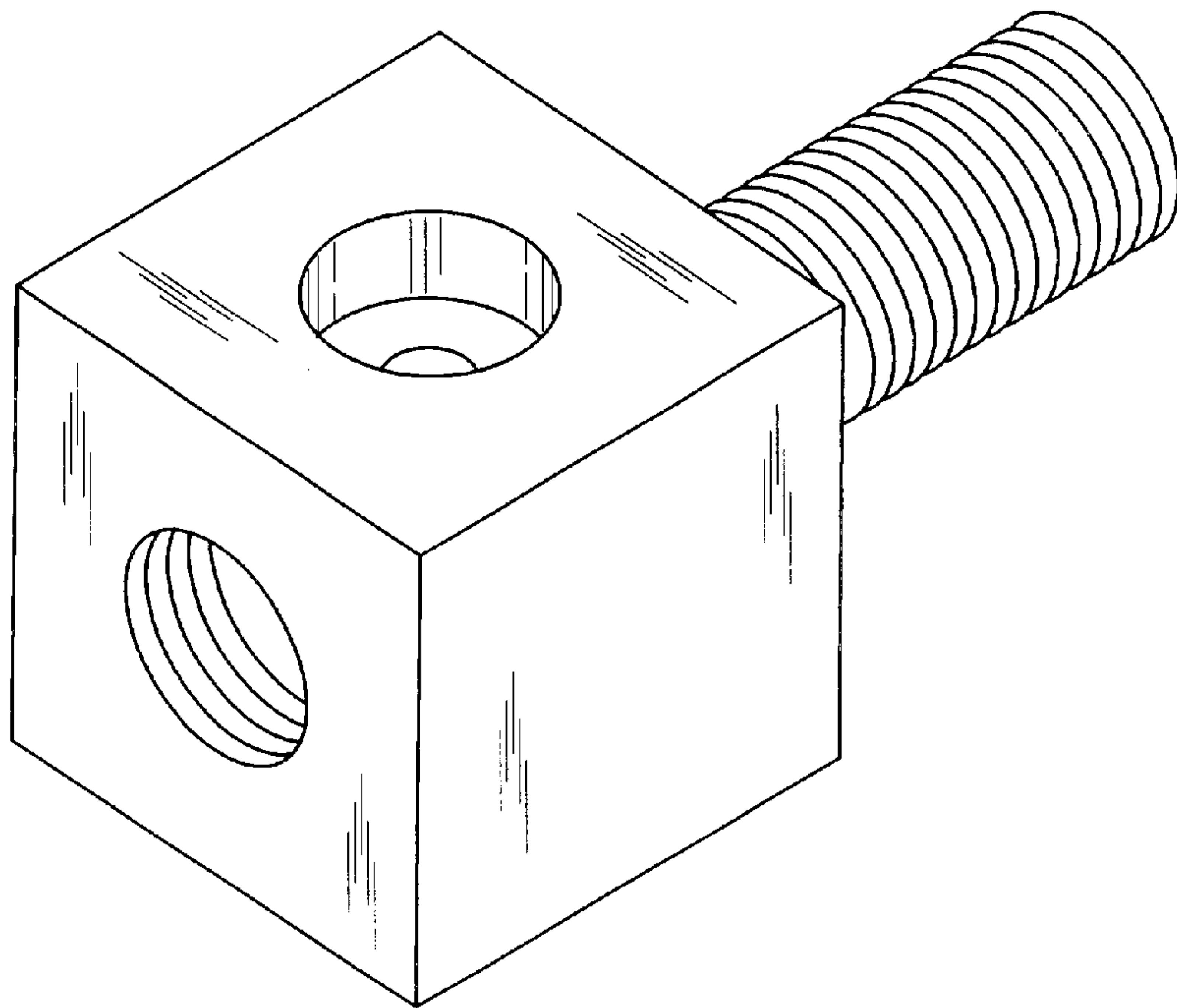


Fig. 2

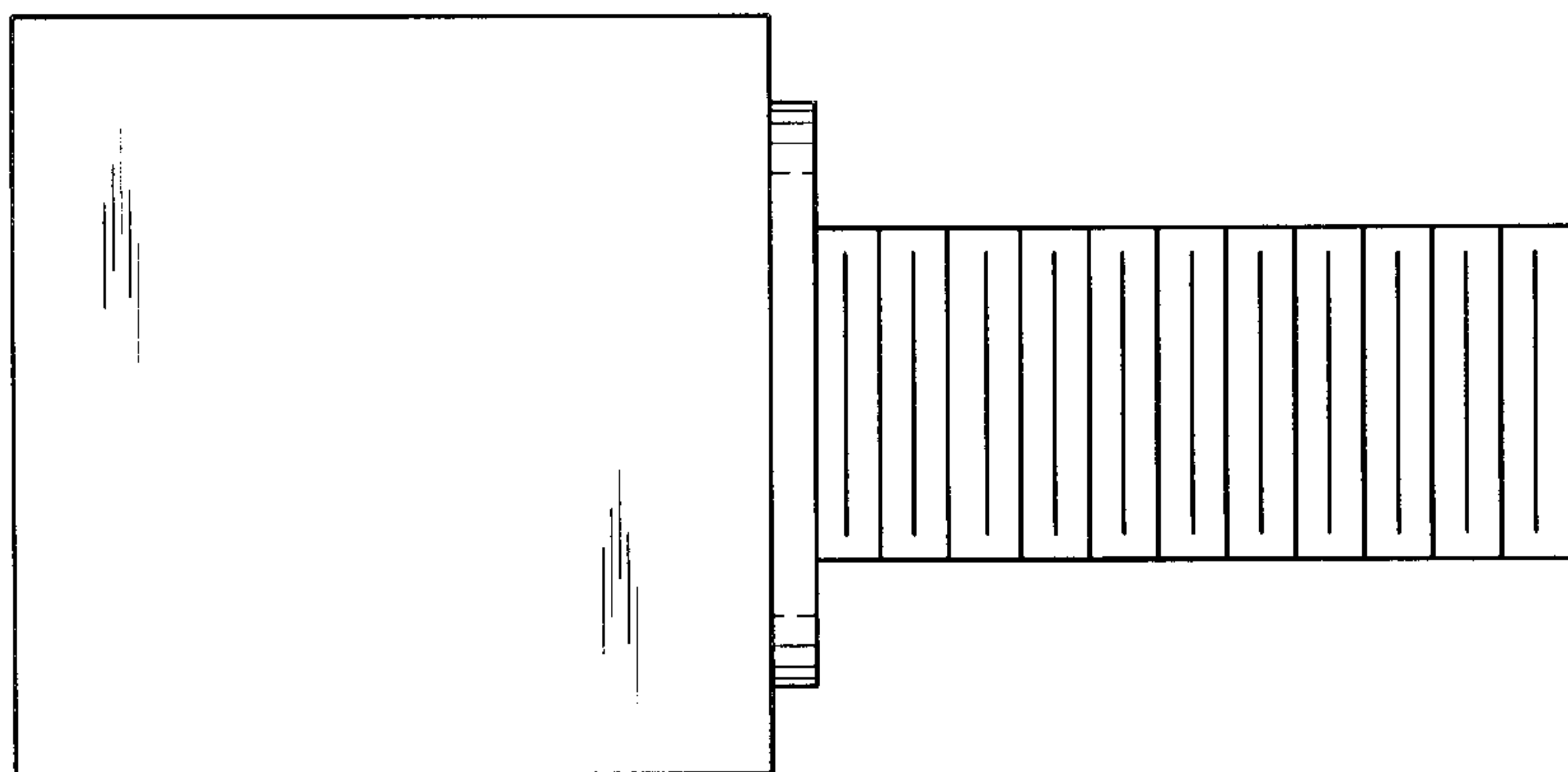


Fig. 3

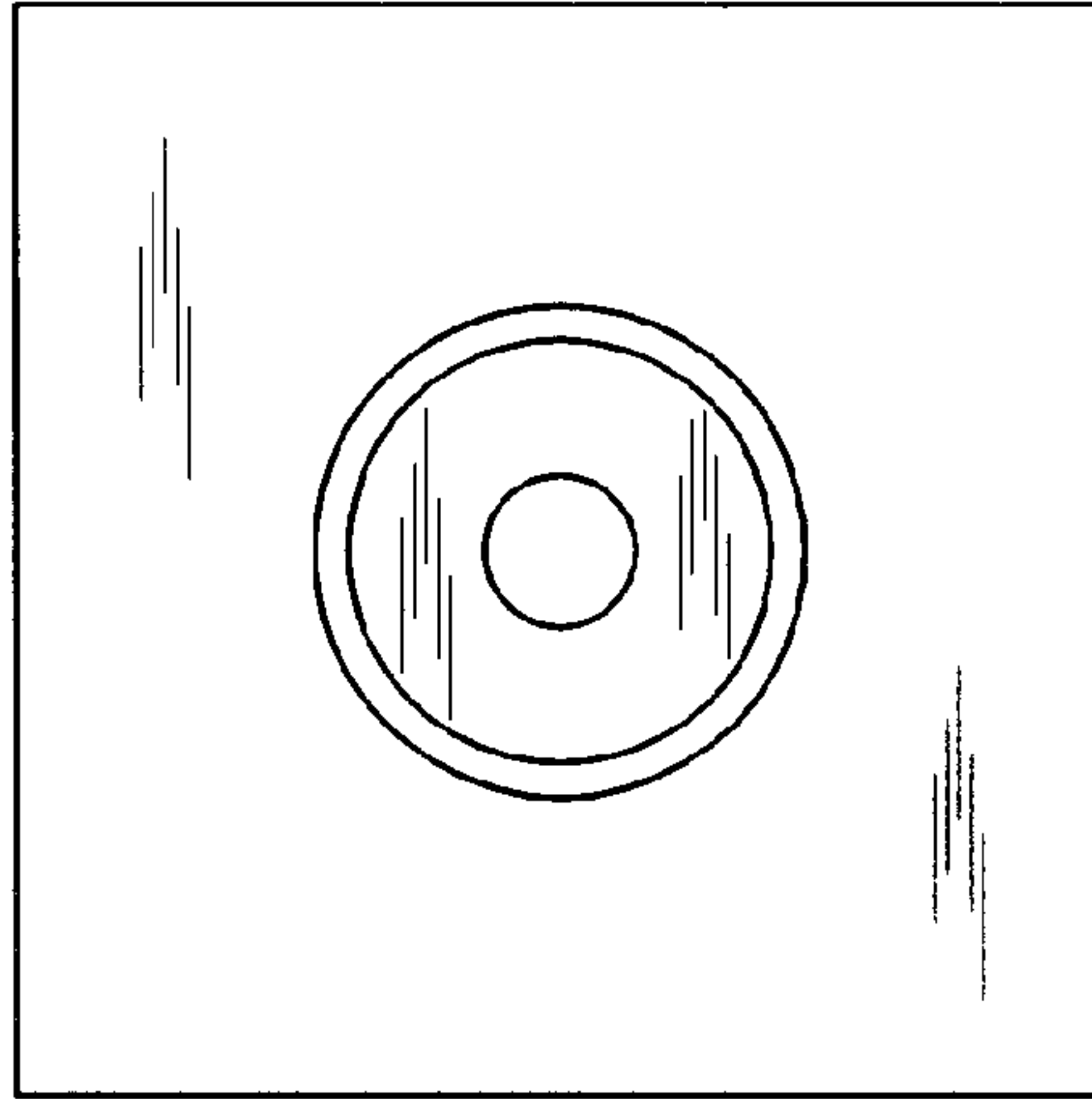


Fig. 4

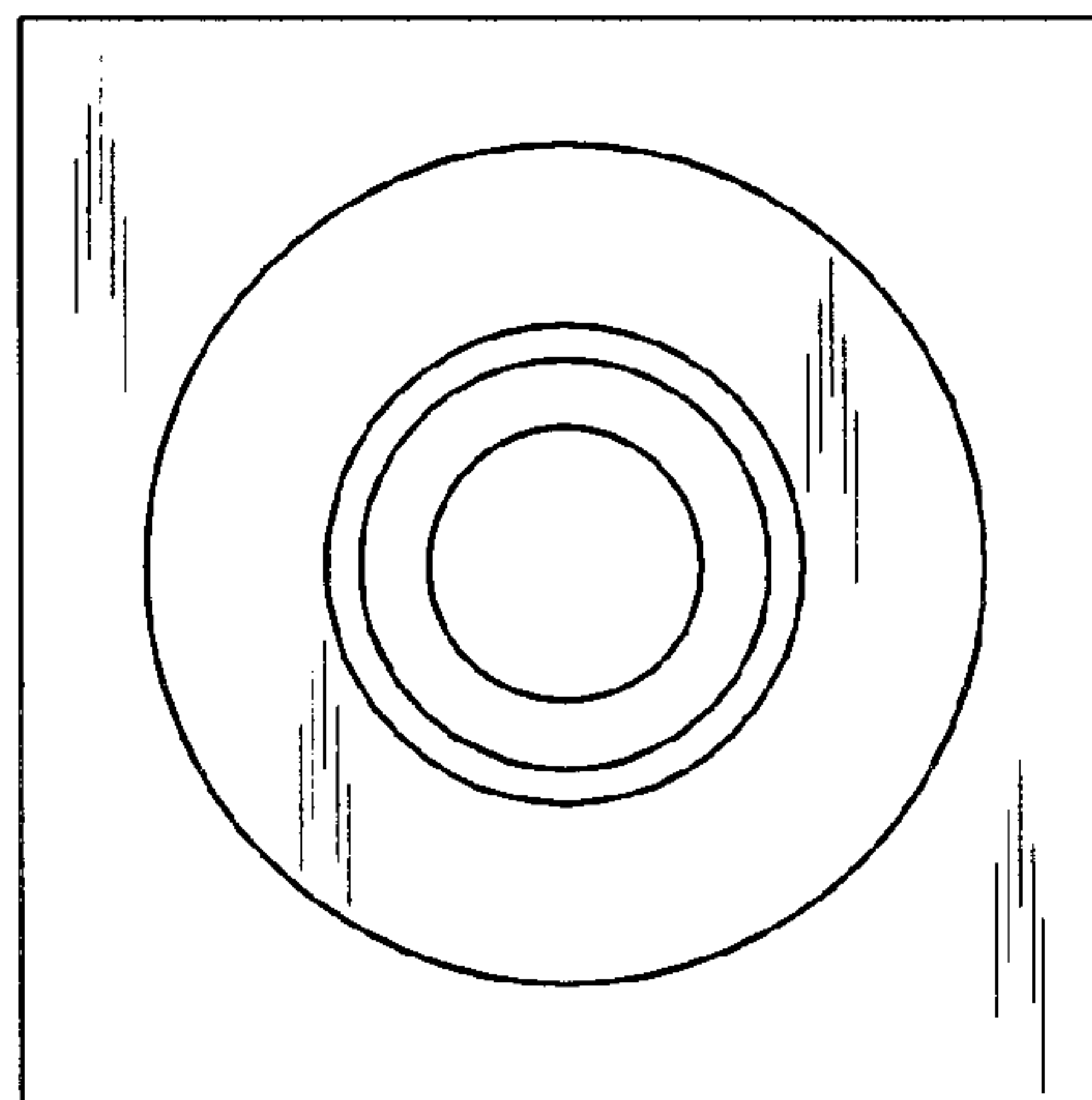


Fig. 5

