



US00D462020S

(12) **United States Design Patent**  
**Chang**

(10) **Patent No.:** **US D462,020 S**

(45) **Date of Patent:** **\*\* Aug. 27, 2002**

(54) **MAGNETIC COMPASS**

(76) Inventor: **Gin-Sung Chang**, No. 15, Lane 385,  
Kuang Ming Rd., Wu Jih Hsiang,  
Taichung Hsien (TW)

(\*\*) Term: **14 Years**

(21) Appl. No.: **29/150,374**

(22) Filed: **Nov. 23, 2001**

(51) **LOC (7) Cl.** ..... **10-04**

(52) **U.S. Cl.** ..... **D10/68**

(58) **Field of Search** ..... D10/68; 33/348,  
33/355 D, 355 R, 361, 365

(56) **References Cited**

**U.S. PATENT DOCUMENTS**

D356,965 S \* 4/1995 Chang ..... D10/68 X

\* cited by examiner

*Primary Examiner*—Antoine Duval Davis  
(74) *Attorney, Agent, or Firm*—Browdy and Neimark,  
P.L.L.C.

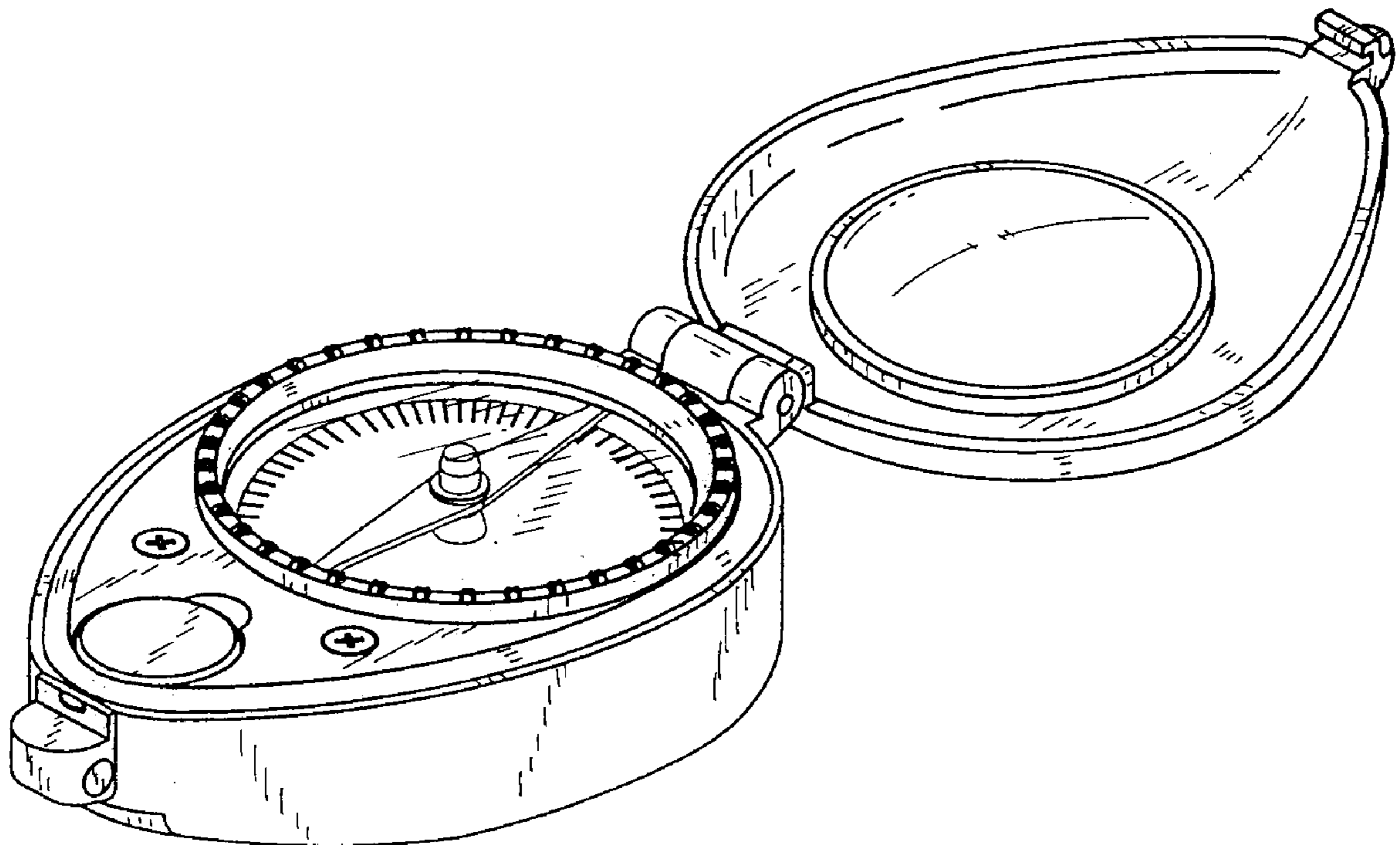
(57) **CLAIM**

The ornamental design for a “magnetic compass”, as shown.

**DESCRIPTION**

FIG. 1 shows a perspective view of the present design.  
FIG. 2 shows a right side elevational view of the present design.  
FIG. 3 shows a top plan view of the present design.  
FIG. 4 shows a front elevational view of the present design.  
FIG. 5 shows a bottom plan view of the present design.  
FIG. 6 shows a left side elevational view of the present design.  
FIG. 7 shows a rear elevational view of the present design;  
and,  
FIG. 8 shows a perspective view of present invention when the magnetic compass is in use.

**1 Claim, 4 Drawing Sheets**



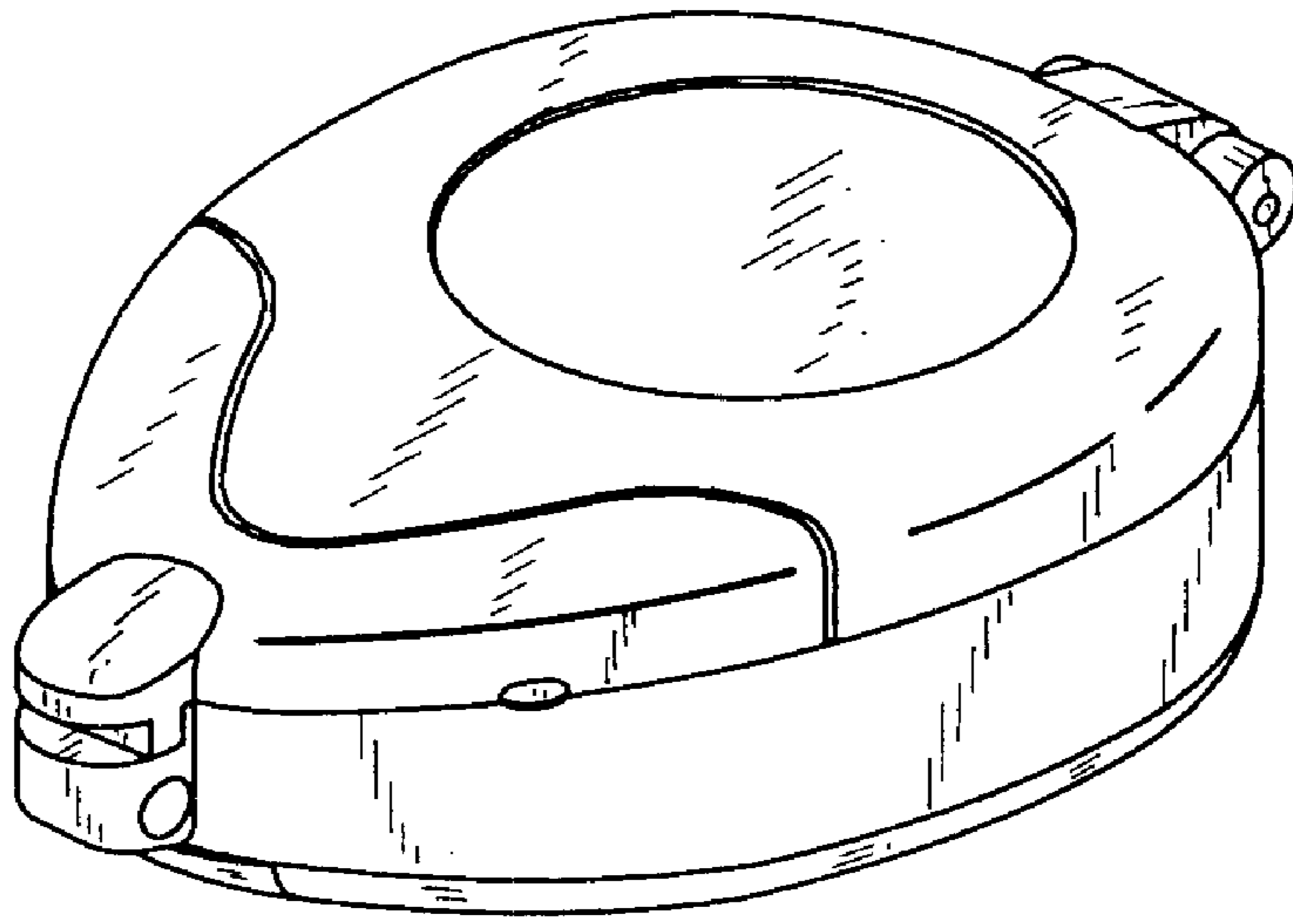


FIG. 1

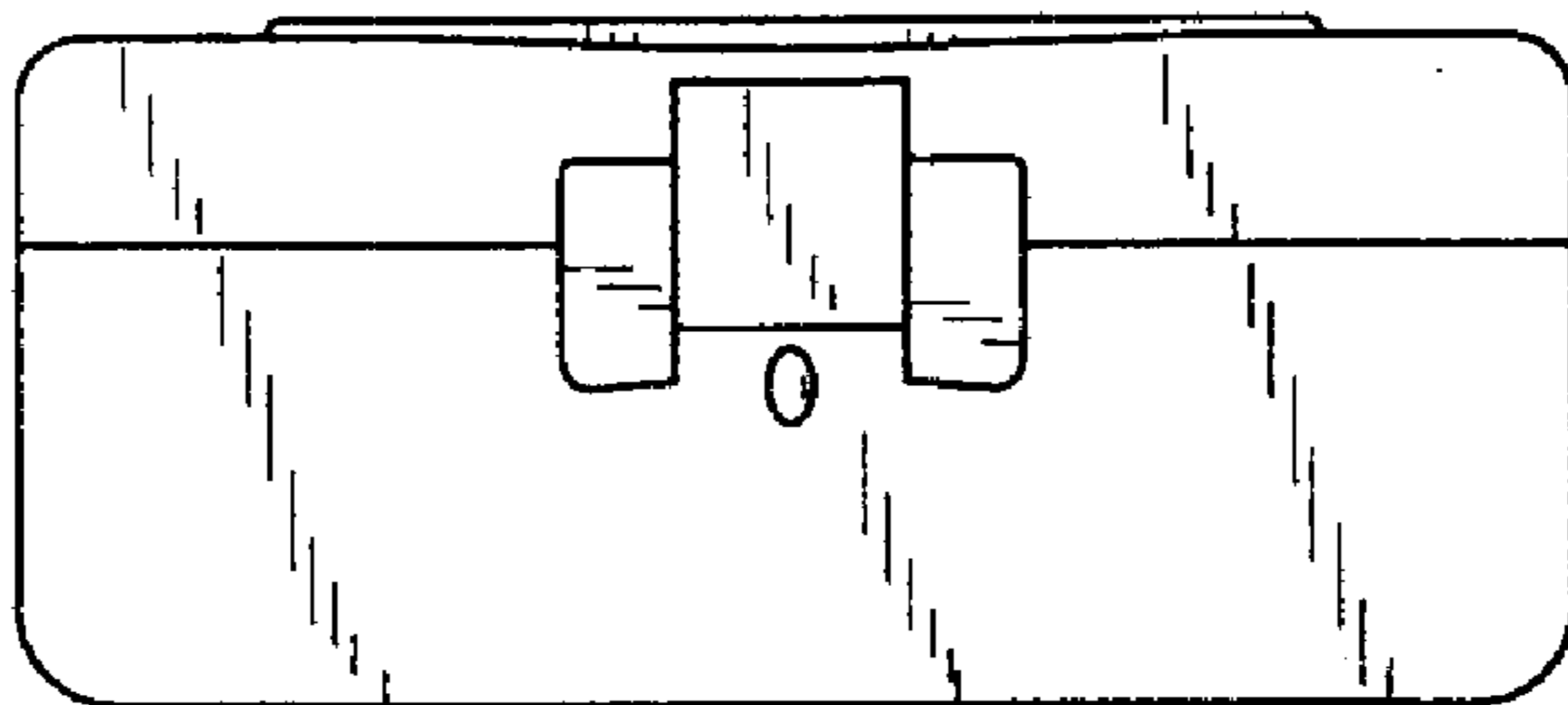


FIG. 2

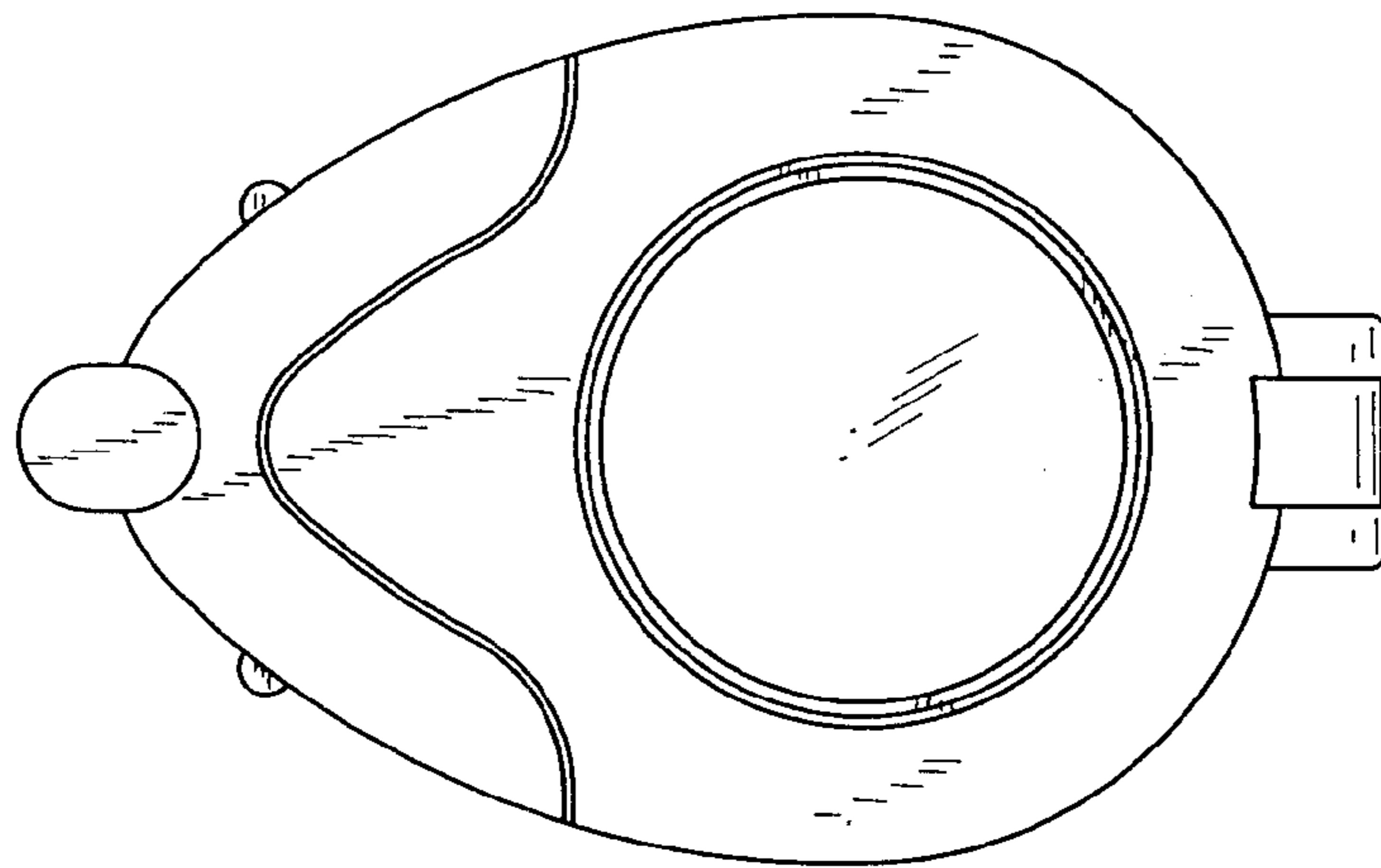


FIG. 3

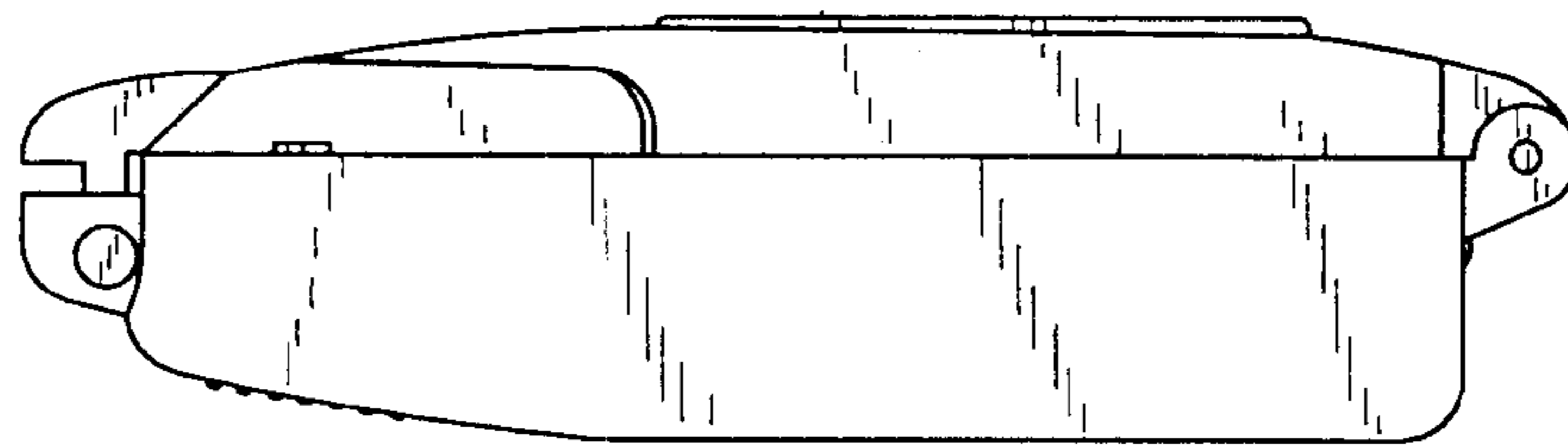


FIG. 4

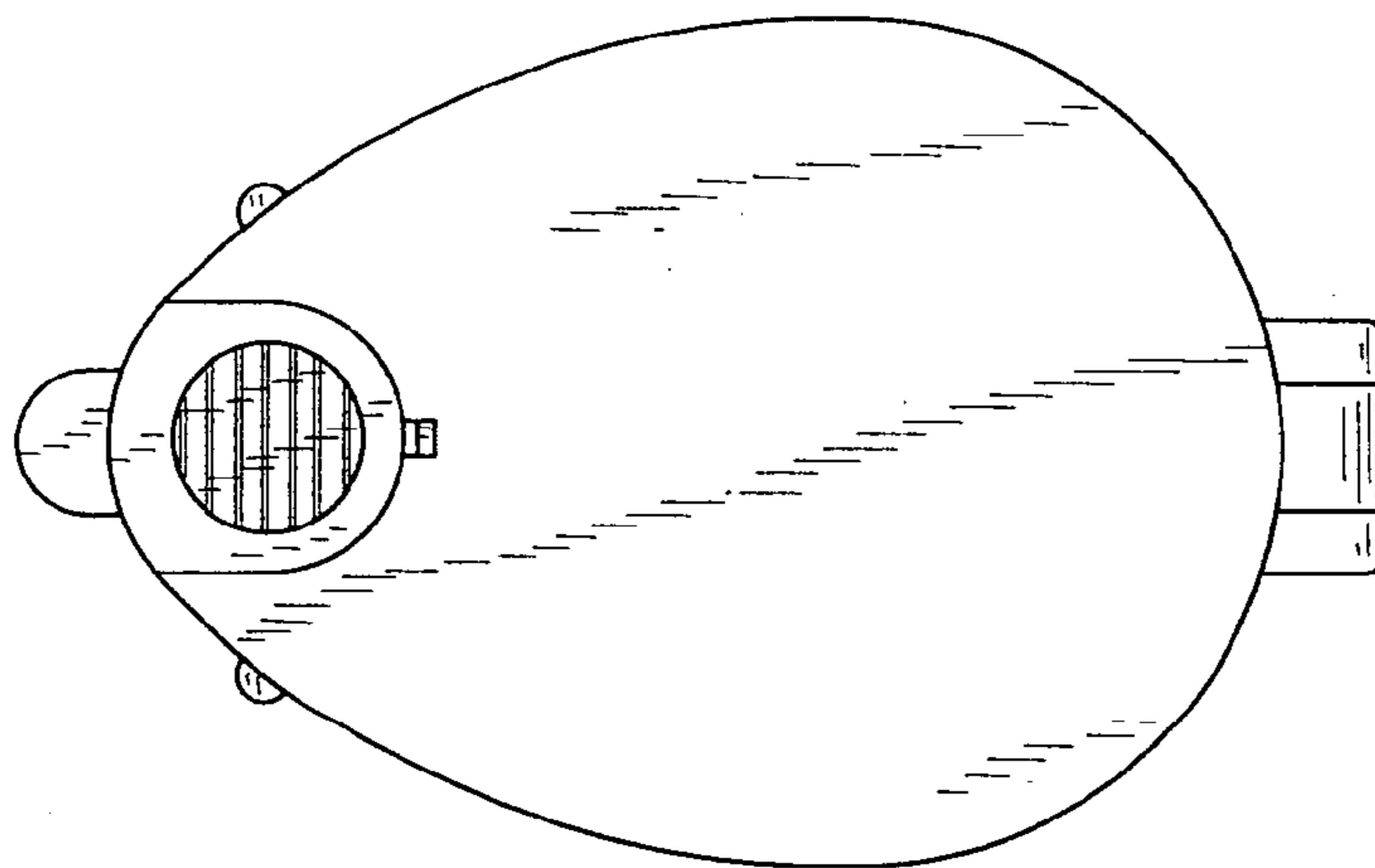


FIG. 5

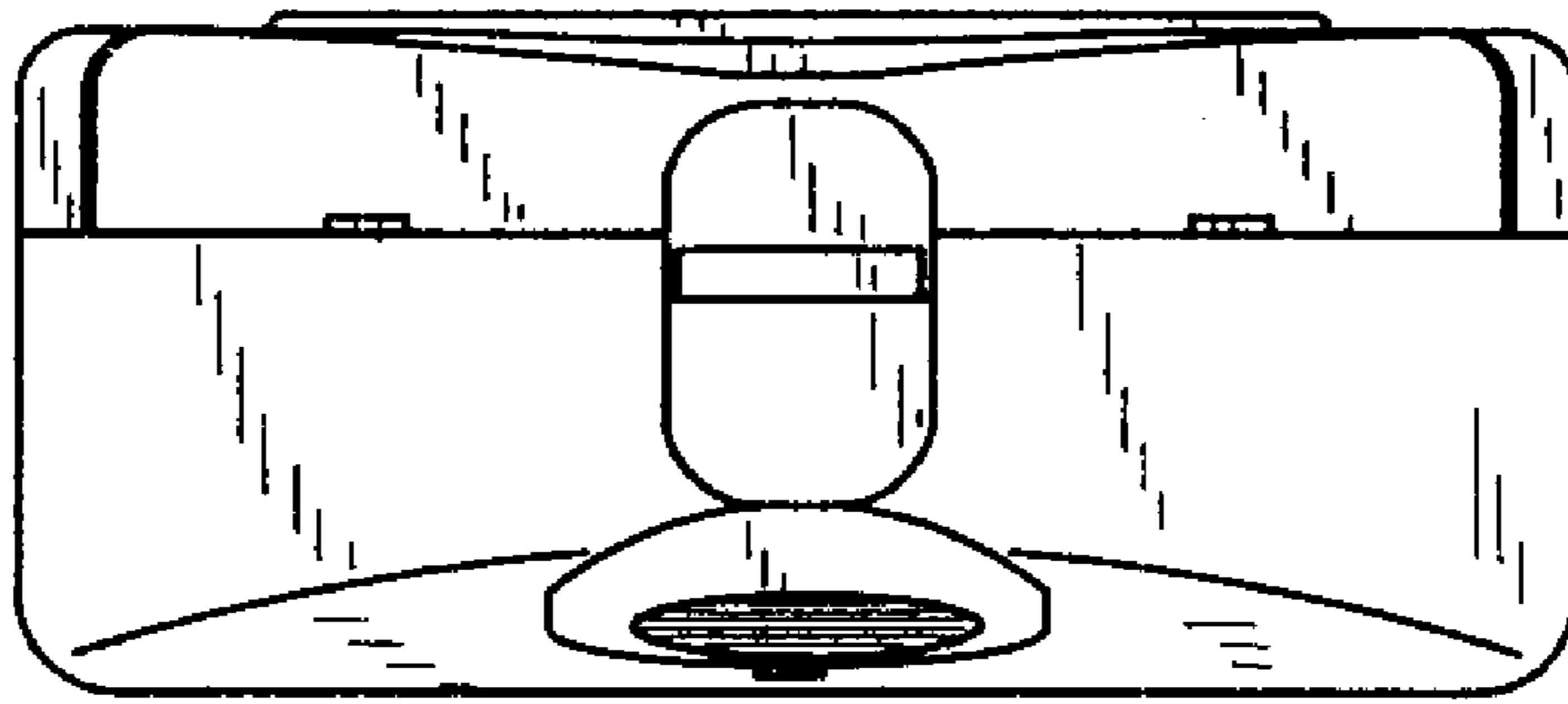


FIG. 6

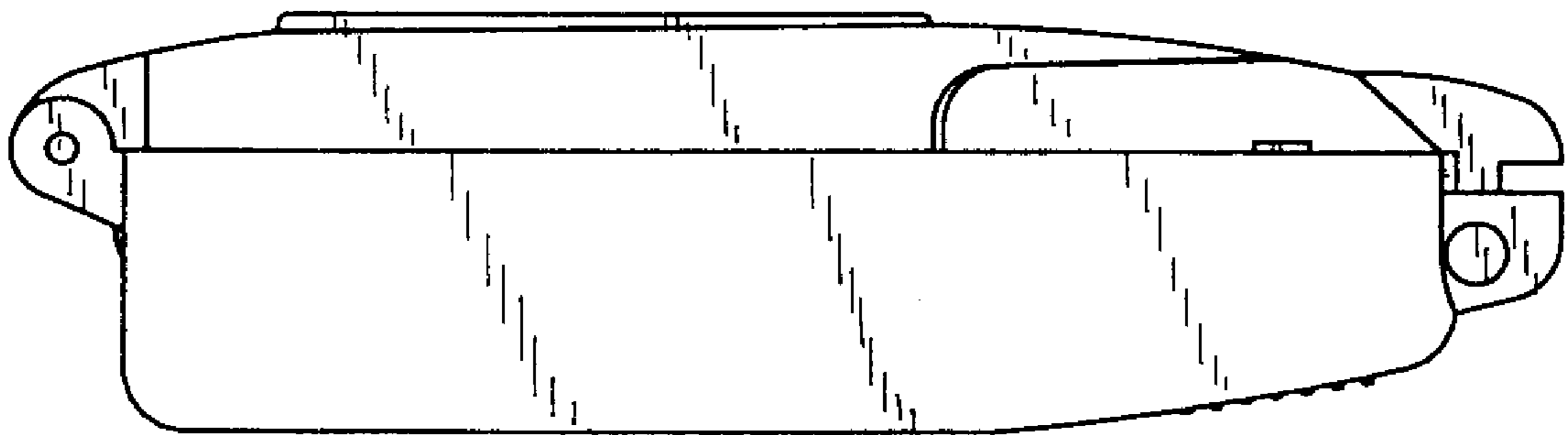


FIG. 7

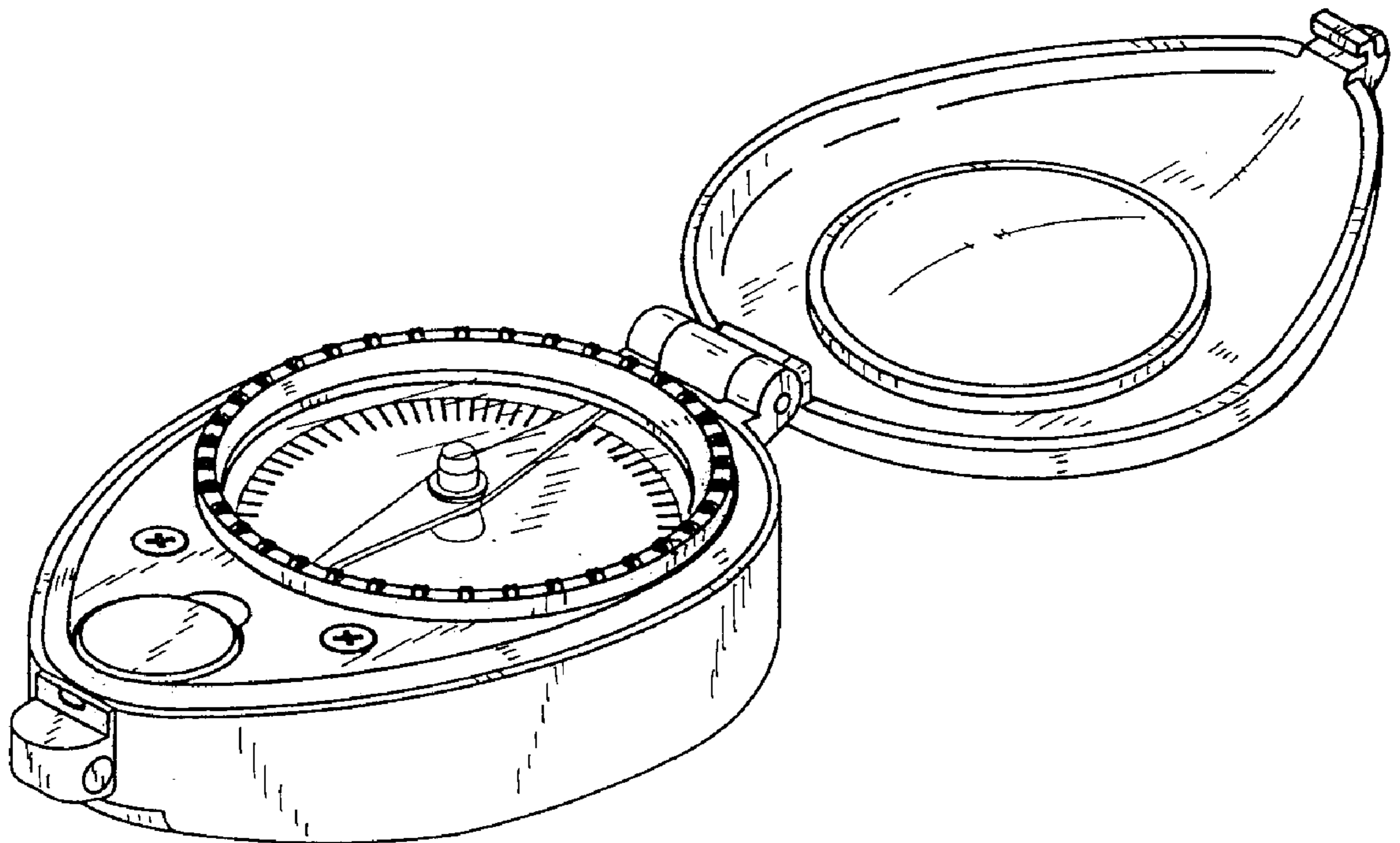


FIG. 8