



US00D462017S

(12) **United States Design Patent**
Gardiner et al.

(10) **Patent No.:** **US D462,017 S**
(45) **Date of Patent:** **** Aug. 27, 2002**

(54) **MODULE FOR MULTI-FUNCTION EQUIPMENT**

(75) Inventors: **Walter A. Gardiner**, Waccabuc, NY (US); **Joseph A. Hufnagel**, Bethel, CT (US); **James J. Economos**, Kingston, NY (US); **James O. Quinn**, Montgomery, NY (US); **Robert S. Englert**, Syracuse, NY (US); **Scott W. Osiecki**, Skaneateles, NY (US)

D287,942 S 1/1987 Tanaka
D290,093 S 6/1987 Kramer et al.
D308,488 S 6/1990 Iden
D310,787 S 9/1990 Iden
D310,970 S 10/1990 Iden
D333,626 S 3/1993 Chang
D356,965 S 4/1995 Chang
D375,693 S 11/1996 Chang
D386,699 S 11/1997 Lindman
D449,009 S * 10/2001 Gardiner et al. D10/62

(73) Assignee: **Imperial Schrade Corp.**, Ellenville, NY (US)

(**) Term: **14 Years**

(21) Appl. No.: **29/148,632**

(22) Filed: **Sep. 24, 2001**

Related U.S. Application Data

(62) Division of application No. 29/134,628, filed on Dec. 26, 2000, now Pat. No. Des. 449,009.

(51) **LOC (7) Cl.** **10-04**

(52) **U.S. Cl.** **D10/62; D10/68**

(58) **Field of Search** D10/62, 68; 33/273, 33/355 R, 364; 224/152, 235, 240, 252, 269; 368/101, 276-278; 374/141, 142, 208; 446/28

(56) **References Cited**

U.S. PATENT DOCUMENTS

D53,889 S 10/1919 Colvin
D106,533 S 10/1937 Frank
4,250,627 A 2/1981 Järvenpää et al.
D283,682 S 5/1986 Raitmaa

OTHER PUBLICATIONS

The Sharper Image Catalog, "Zytool", Aug. 2000, p. 3.

* cited by examiner

Primary Examiner—Antoine Duval Davis

(74) *Attorney, Agent, or Firm*—SAIDMAN DesignLaw Group

(57) **CLAIM**

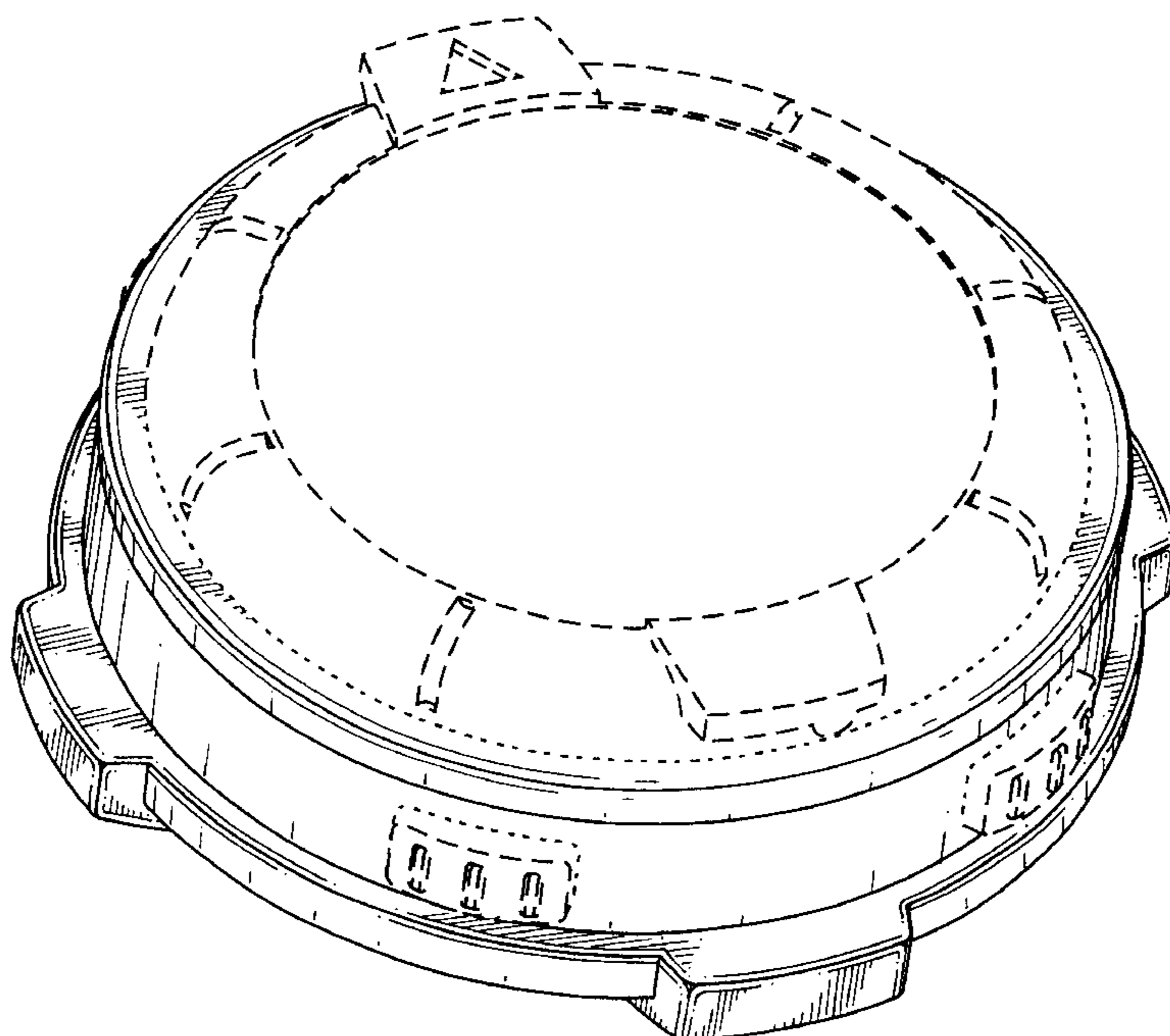
The ornamental design for module for multi-function equipment, as shown and described.

DESCRIPTION

FIG. 1 is a top perspective view of a module for multi-function equipment showing our new design; FIG. 2 is a bottom perspective view thereof; FIG. 3 is a top view thereof; FIG. 4 is a bottom view thereof; FIG. 5 is a front view thereof, the rear view being a mirror image; and, FIG. 6 is a left side view thereof, the right side view being a mirror image.

The broken lines in the drawings represent environmental subject matter and form no part of the claimed design.

1 Claim, 5 Drawing Sheets



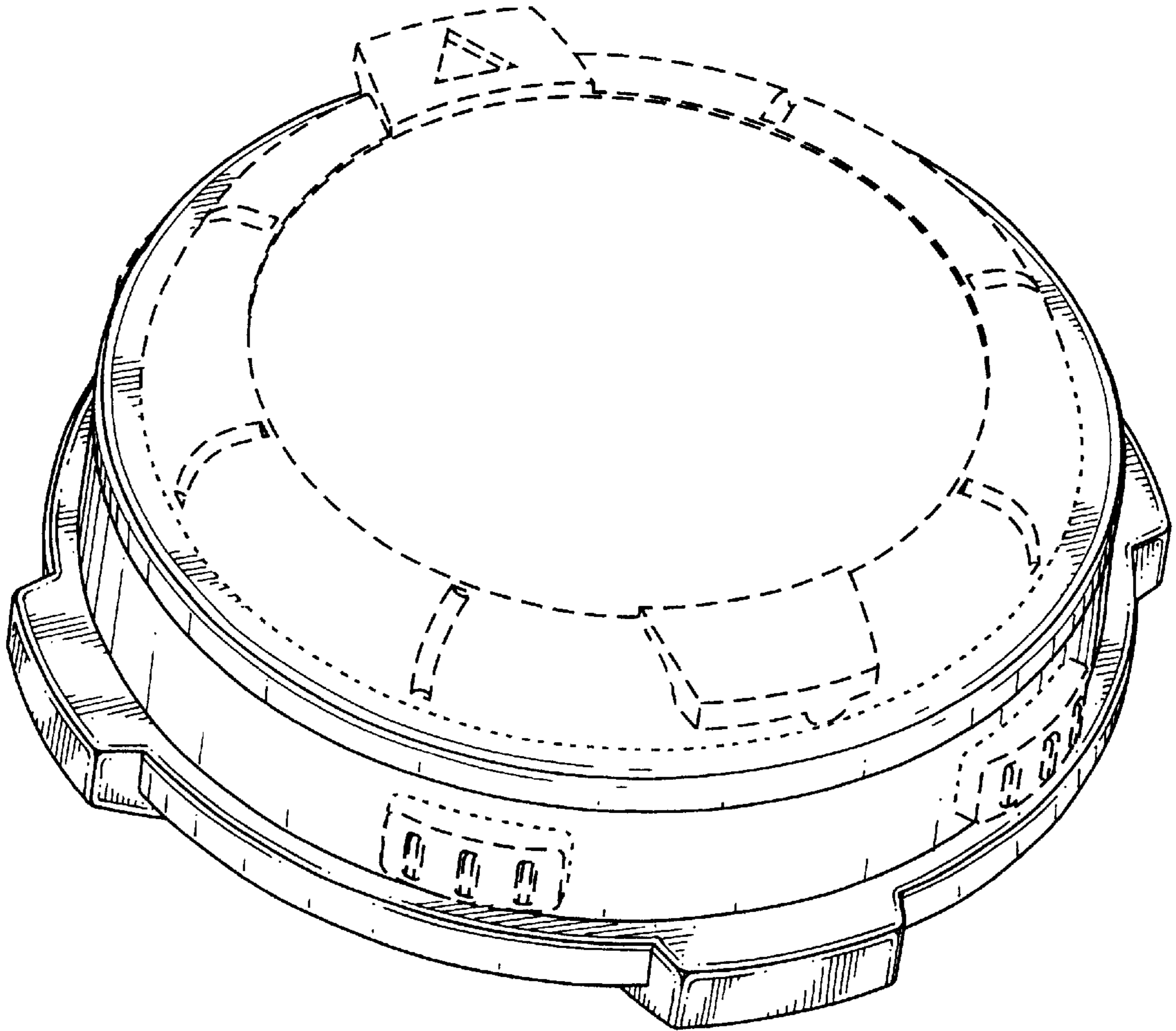


FIG.1

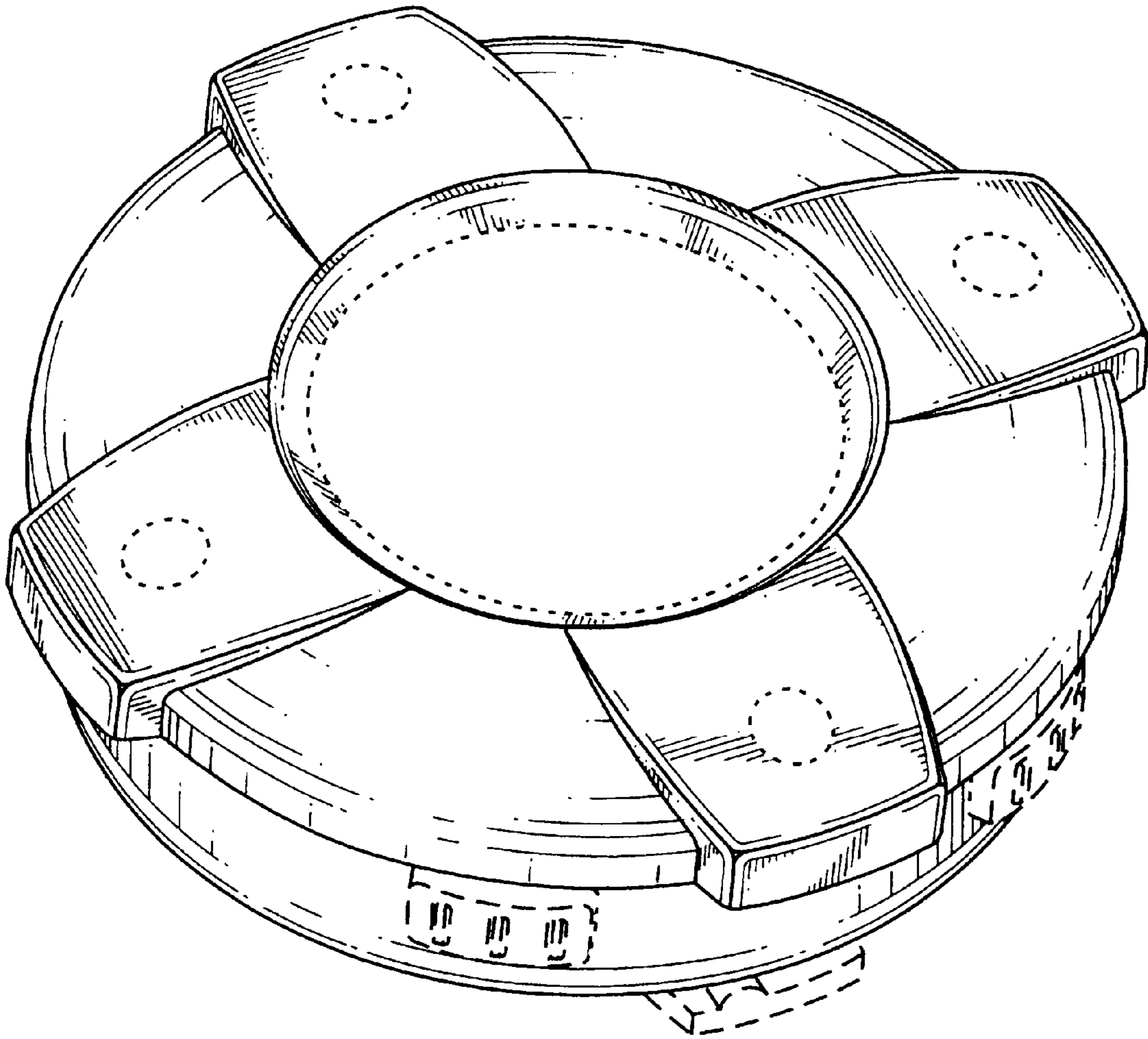


FIG.2

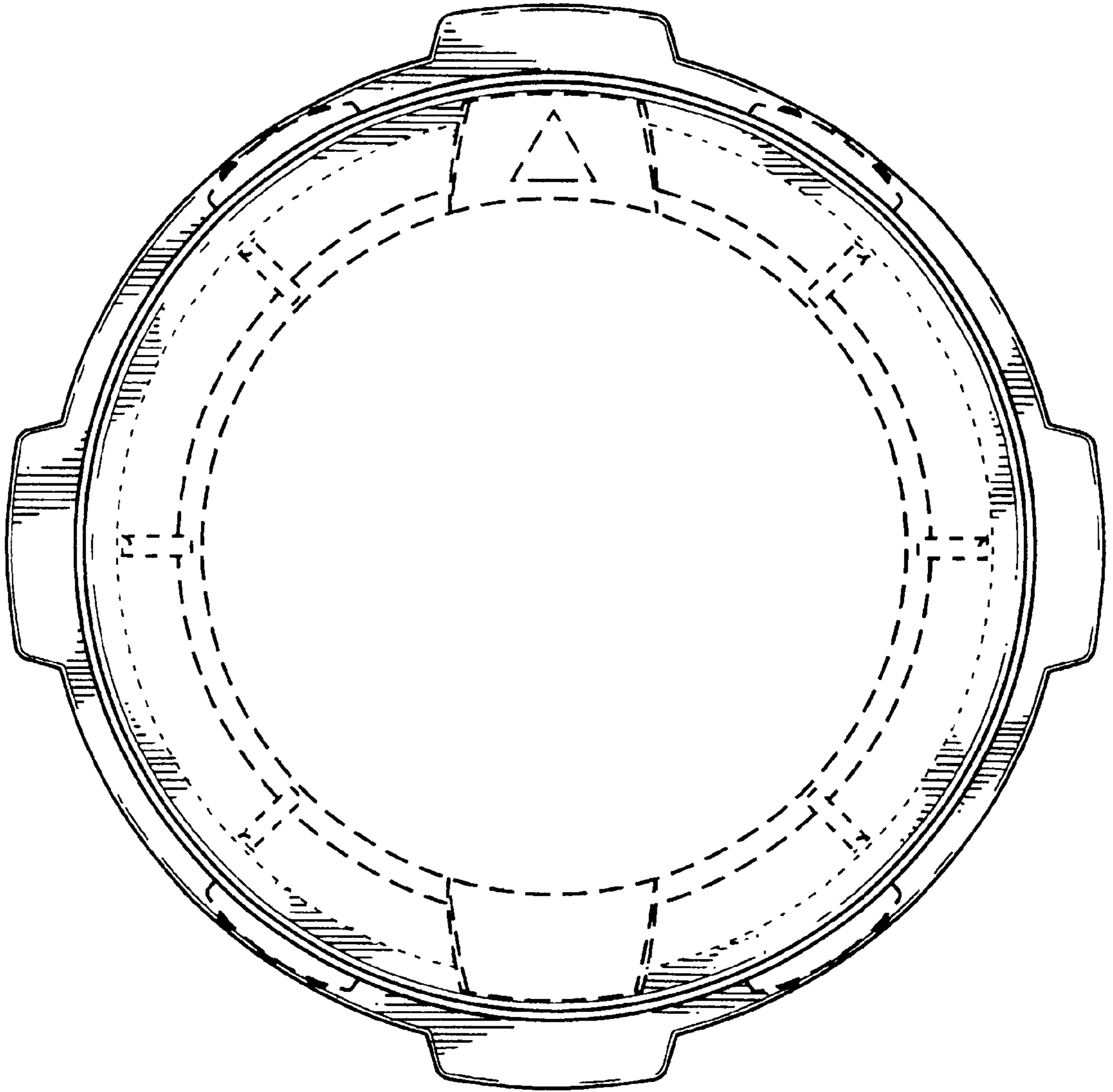


FIG.3

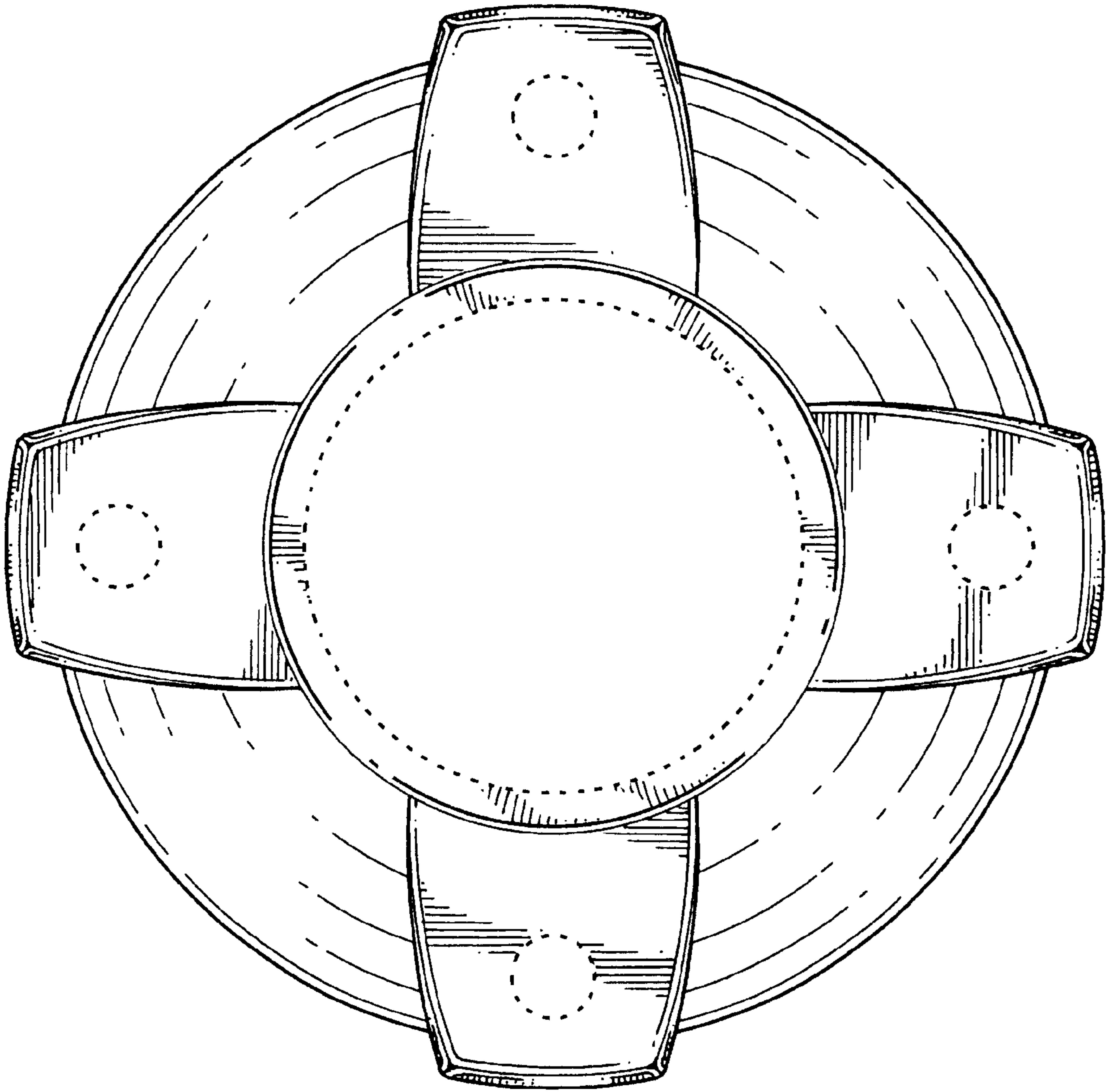


FIG.4

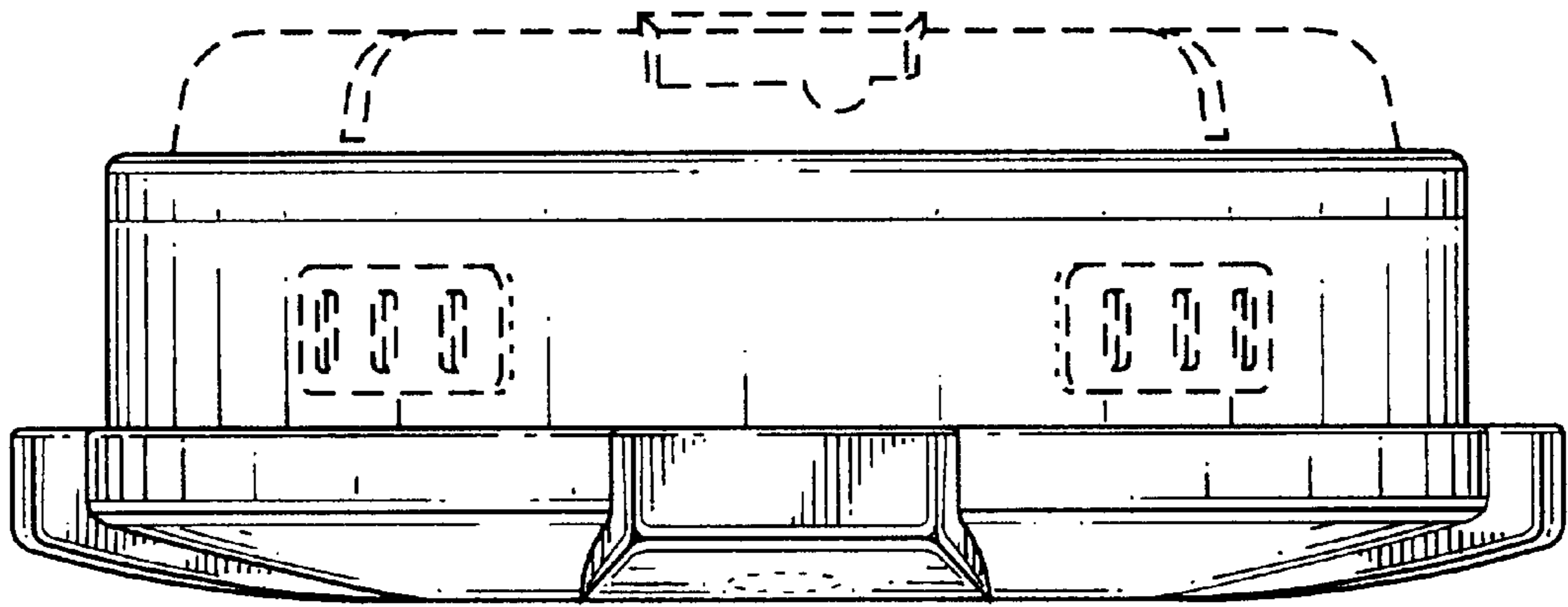


FIG. 5

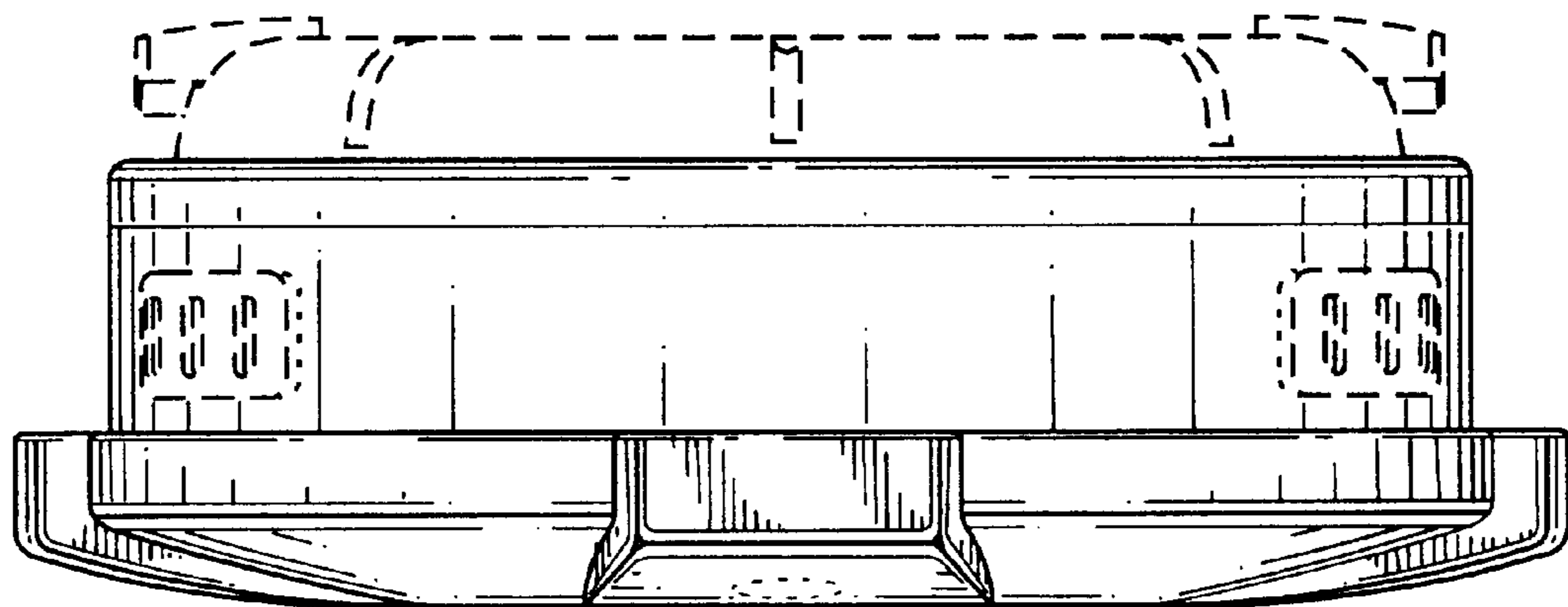


FIG. 6