



US00D462016S

(12) **United States Design Patent**
Rozendal et al.

(10) **Patent No.:** **US D462,016 S**

(45) **Date of Patent:** **** Aug. 27, 2002**

(54) **RADAR REFLECTOR**

Primary Examiner—Antoine Duval Davis
(74) *Attorney, Agent, or Firm*—Daniel Robbins

(75) Inventors: **Timothy Rozendal; John Keith Rozendal**, both of El Cajon, CA (US)

(57) **CLAIM**

(73) Assignee: **Rozendal Associates, Inc.**, Santee, CA (US)

The ornamental design for a radar reflector, as shown and described.

(**) Term: **14 Years**

DESCRIPTION

(21) Appl. No.: **29/149,770**

FIG. 1 is a perspective view of a radar reflector showing our new design;

(22) Filed: **Oct. 17, 2001**

FIG. 2 is a top plan view thereof;

(51) **LOC (7) Cl.** **10-04**

FIG. 3 is a bottom plan view thereof;

(52) **U.S. Cl.** **D10/46**

FIG. 4 is a front elevational view thereof;

(58) **Field of Search** D10/46; 342/5-12

FIG. 5 is a rear elevational view thereof; and,

(56) **References Cited**

FIG. 6 is a right side elevational view thereof; the left side elevational view being a mirror image thereof.

U.S. PATENT DOCUMENTS

D409,773 S * 5/1999 Pedersen D26/28
6,061,012 A * 5/2000 Sakimura 342/5

* cited by examiner

1 Claim, 3 Drawing Sheets

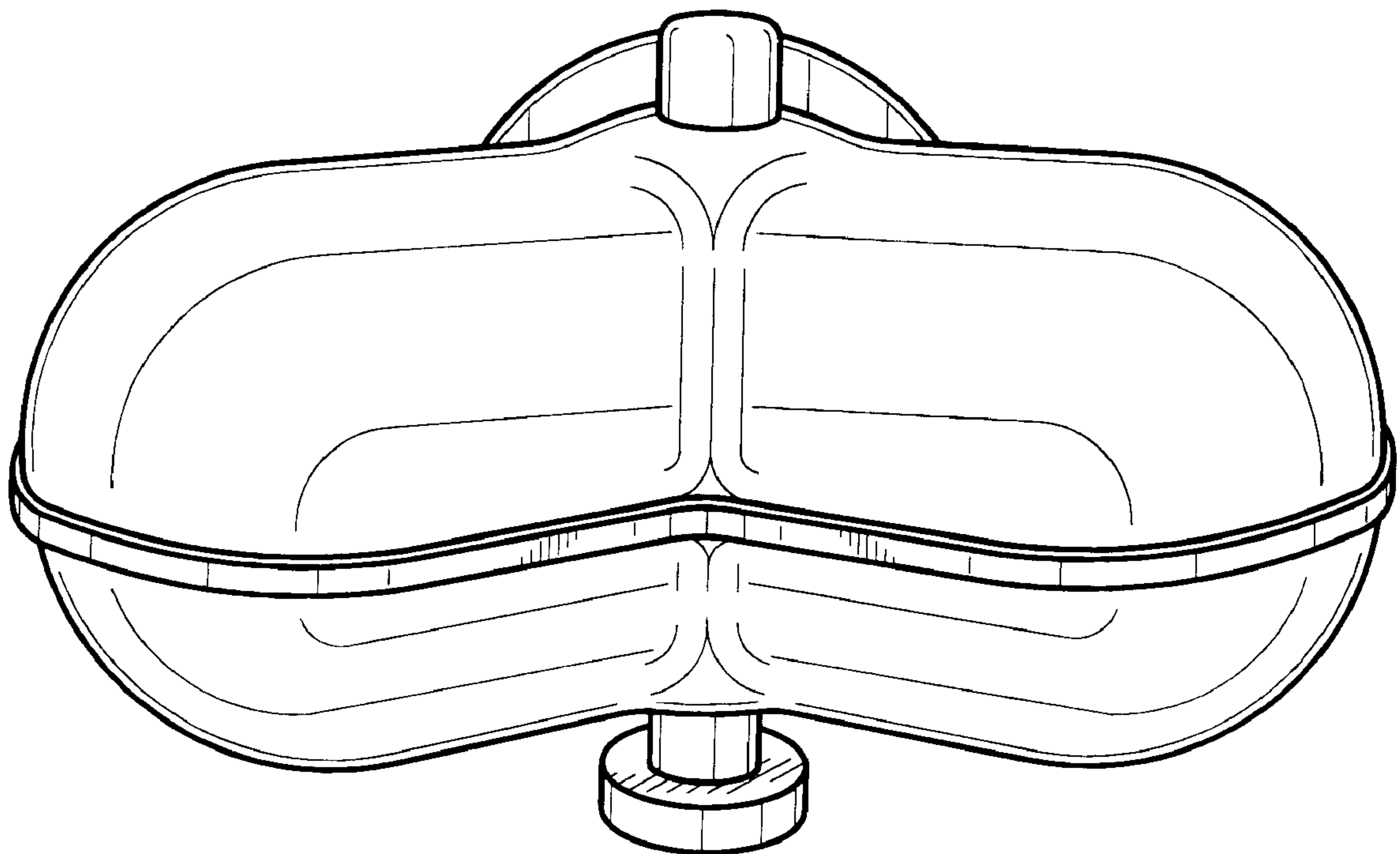


FIG. 1

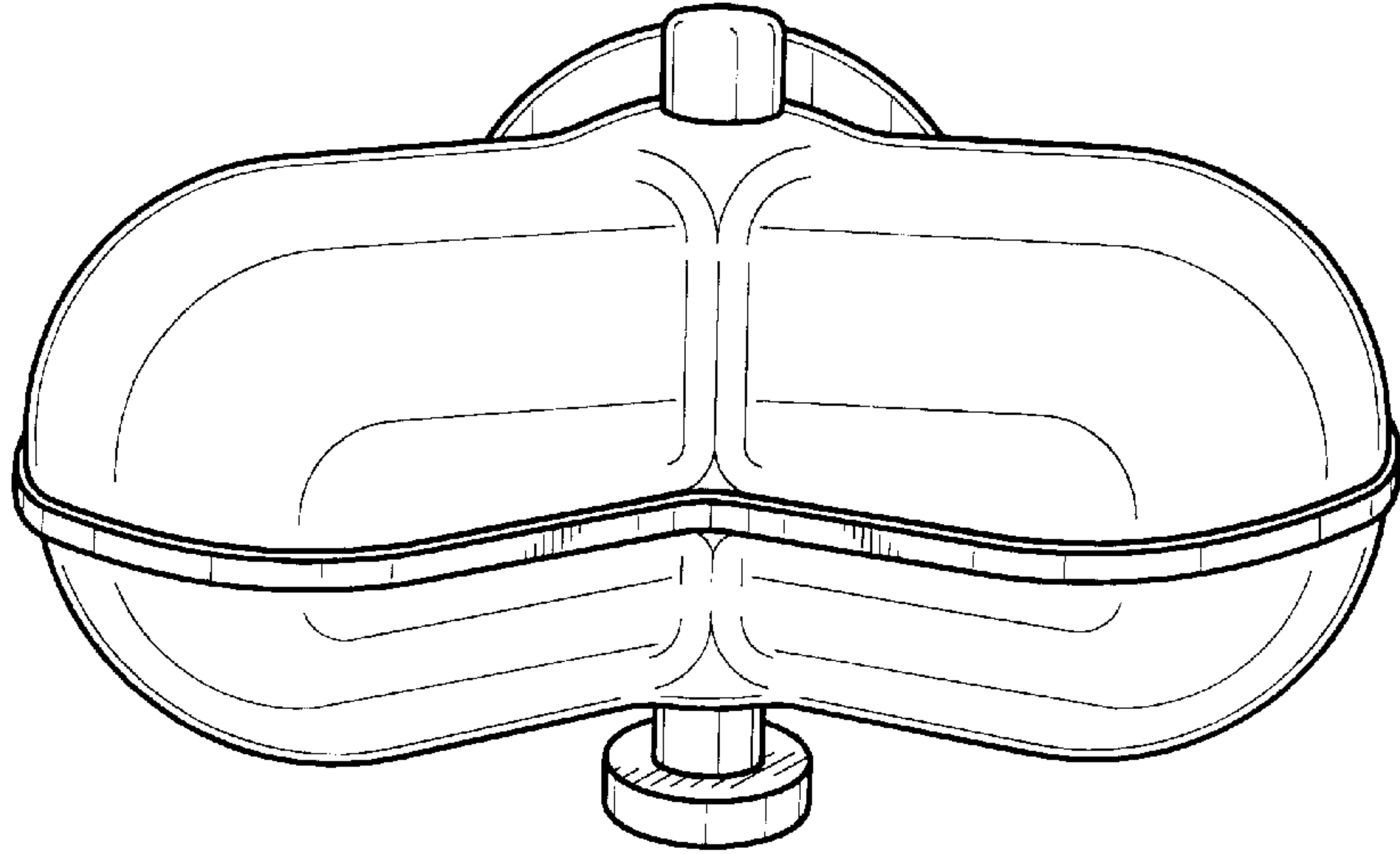


FIG. 2

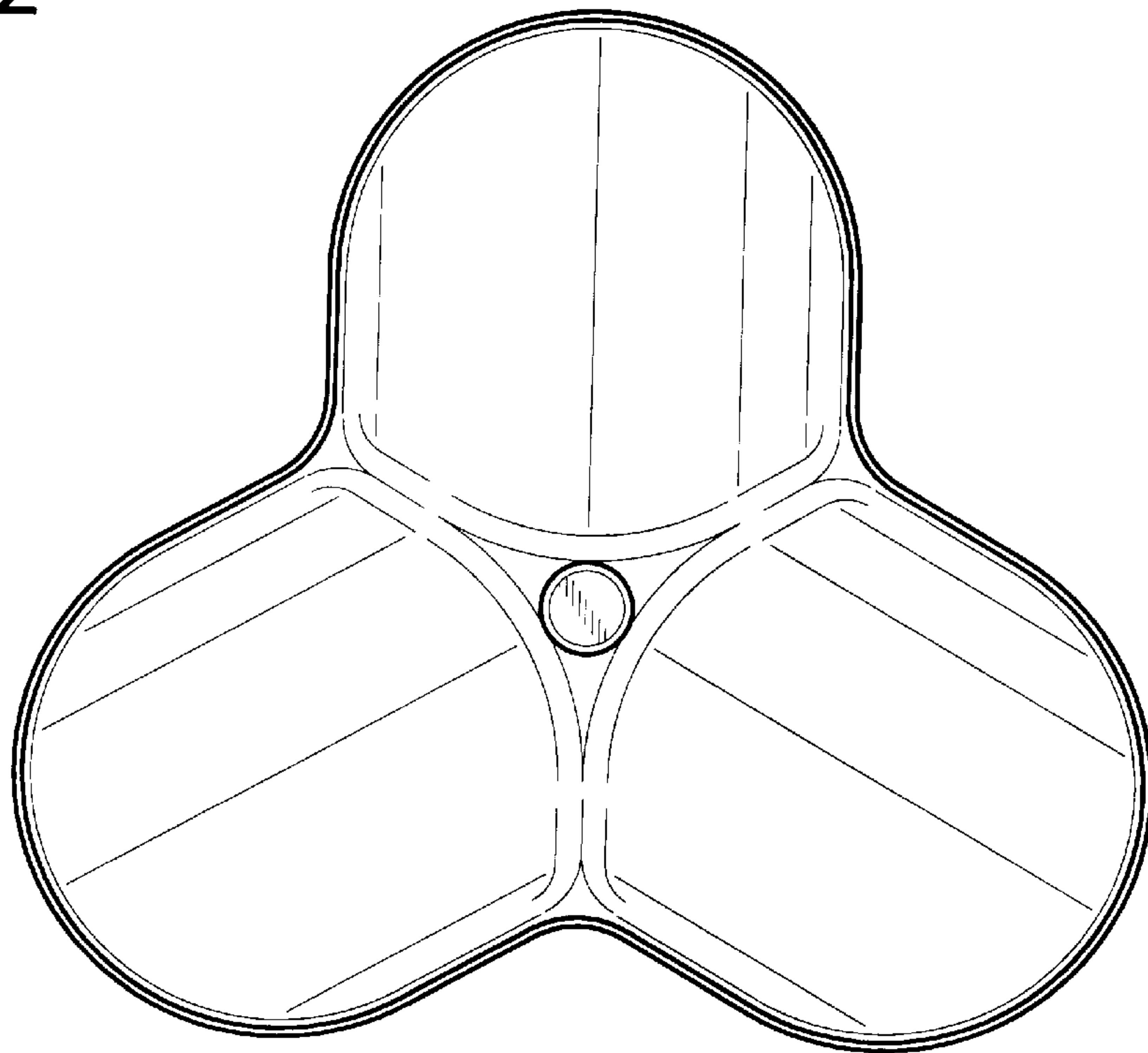


FIG. 3

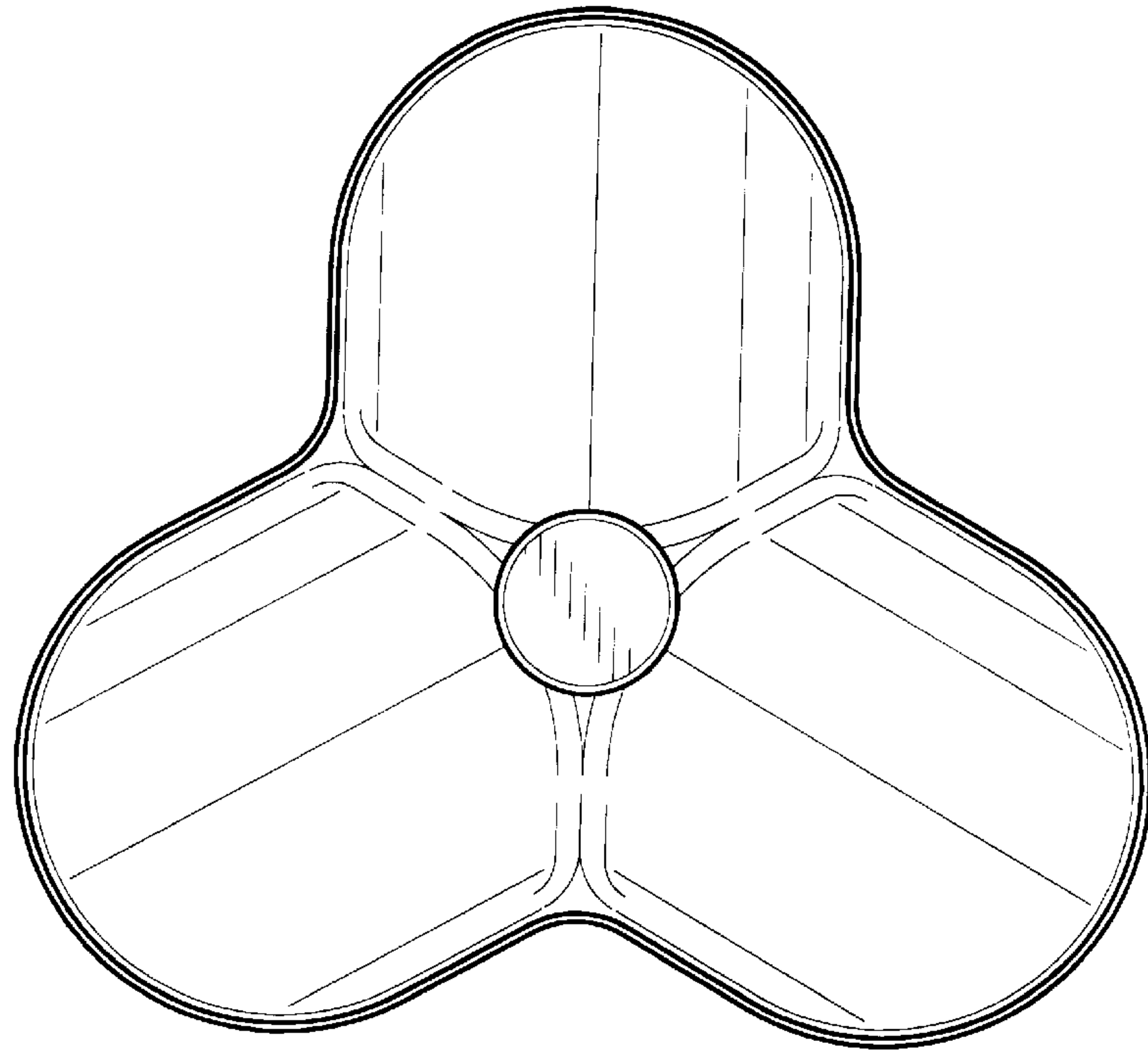


FIG. 4

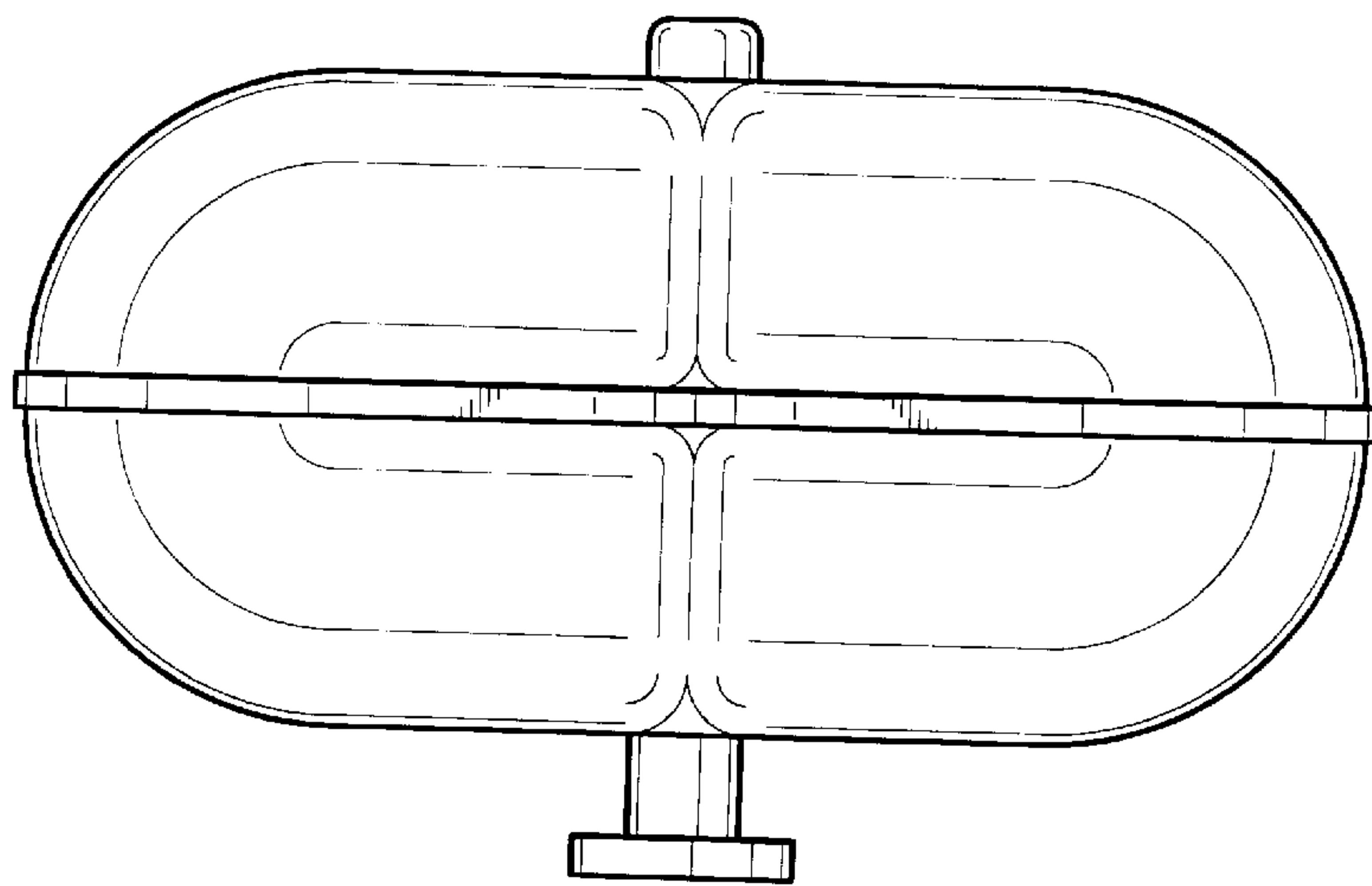


FIG. 5

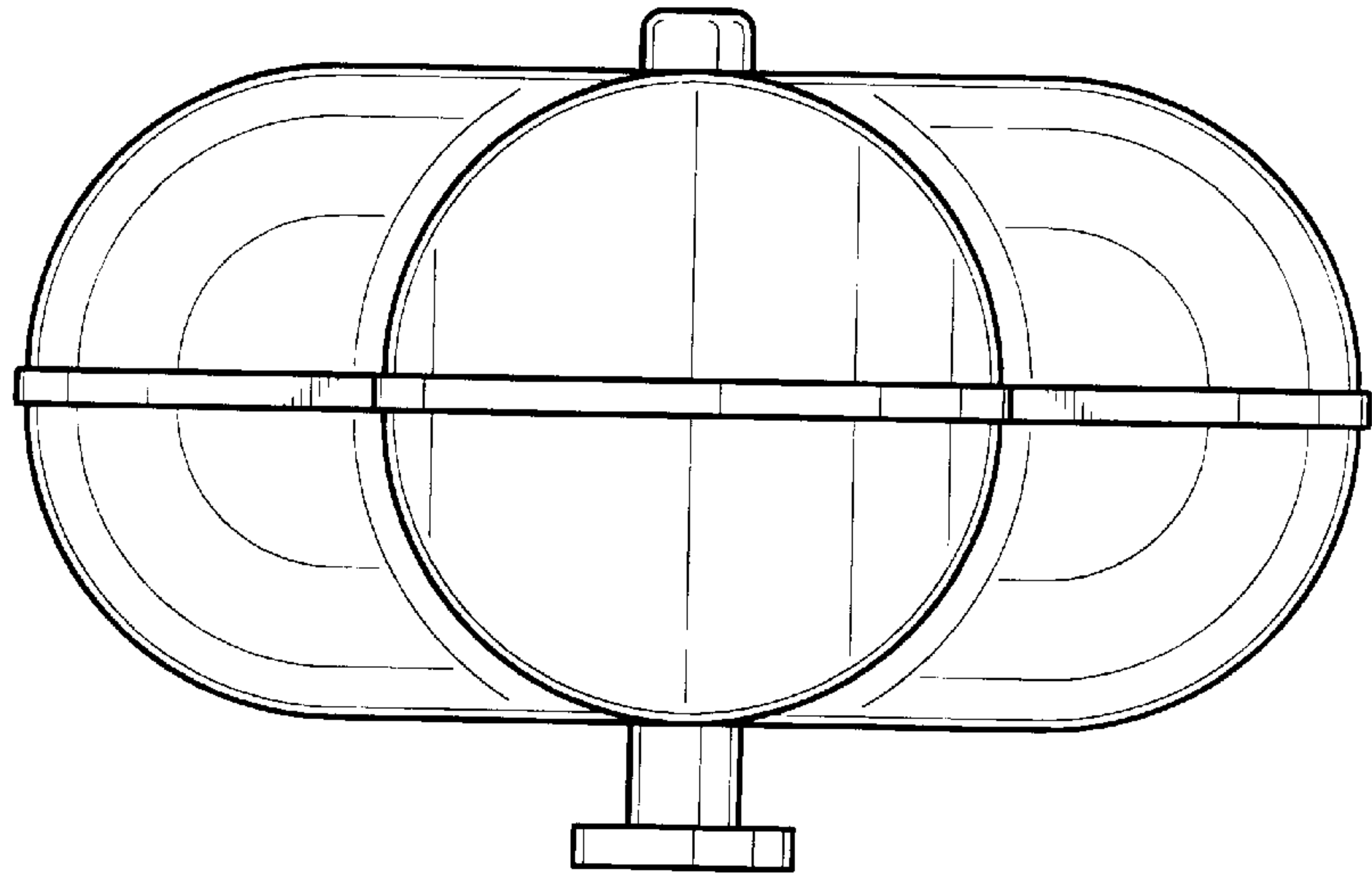


FIG. 6

