



US00D462013S

(12) **United States Design Patent**
Iizuka et al.

(10) **Patent No.:** **US D462,013 S**

(45) **Date of Patent:** **** Aug. 27, 2002**

(54) **CONTAINER DOME**

(75) Inventors: **Takao Iizuka**, Tokyo; **Masaaki Sasaki**, Chiba-Ken, both of (JP)

(73) Assignee: **Yoshino Kogyosho Co., Ltd.**, Tokyo (JP)

(**) Term: **14 Years**

(21) Appl. No.: **29/136,217**

(22) Filed: **Jan. 29, 2001**

(51) **LOC (7) Cl.** **09-01**

(52) **U.S. Cl.** **D9/538; D9/552**

(58) **Field of Search** D9/307, 516, 520, D9/538, 539, 542, 545, 549, 552, 565, 558, 554, 567, 574, 429, 435, 434, 444, 451, 452, 453, 454; 215/381-384, 396, 398; D7/511

(56) **References Cited**

U.S. PATENT DOCUMENTS

D145,512 S	*	9/1946	Derham	D9/452
D155,260 S	*	9/1949	Baron	D9/452
D212,276 S	*	9/1968	Lodding	D9/538
D366,613 S	*	1/1996	Fultz	D9/429
D377,904 S	*	2/1997	Hestehave et al.	D9/552
D385,497 S	*	10/1997	Krishnakumar et al.	D9/543
D386,088 S	*	11/1997	Satoh	D9/536
D387,284 S	*	12/1997	Briggs et al.	D9/552
5,758,790 A	*	6/1998	Ewing, Jr.	215/384
5,785,197 A	*	7/1998	Slat	215/375

D406,065 S	*	2/1999	Cheng	D9/552
D412,441 S	*	8/1999	Cheng et al.	D9/552
D415,681 S		10/1999	Yourist		
D425,425 S	*	5/2000	Silvers et al.	D9/520
D429,156 S	*	8/2000	Williams et al.	D9/520
D429,166 S	*	8/2000	Ogg	D9/552
D432,019 S	*	10/2000	Steward	D9/538
D435,219 S	*	12/2000	Williams et al.	D9/538
D438,758 S	*	3/2001	Tal et al.	D7/510
D439,111 S	*	3/2001	Tal et al.	D7/511
D439,166 S	*	3/2001	Denner et al.	D9/538
D440,829 S	*	4/2001	Brown	D7/629
6,213,326 B1	*	4/2001	Denner et al.	215/383

* cited by examiner

Primary Examiner—Adir Aronovich

Assistant Examiner—Carol Rademaker

(74) *Attorney, Agent, or Firm*—Oliff & Berridge, PLC

(57) **CLAIM**

The ornamental design for a container dome, as shown and described.

DESCRIPTION

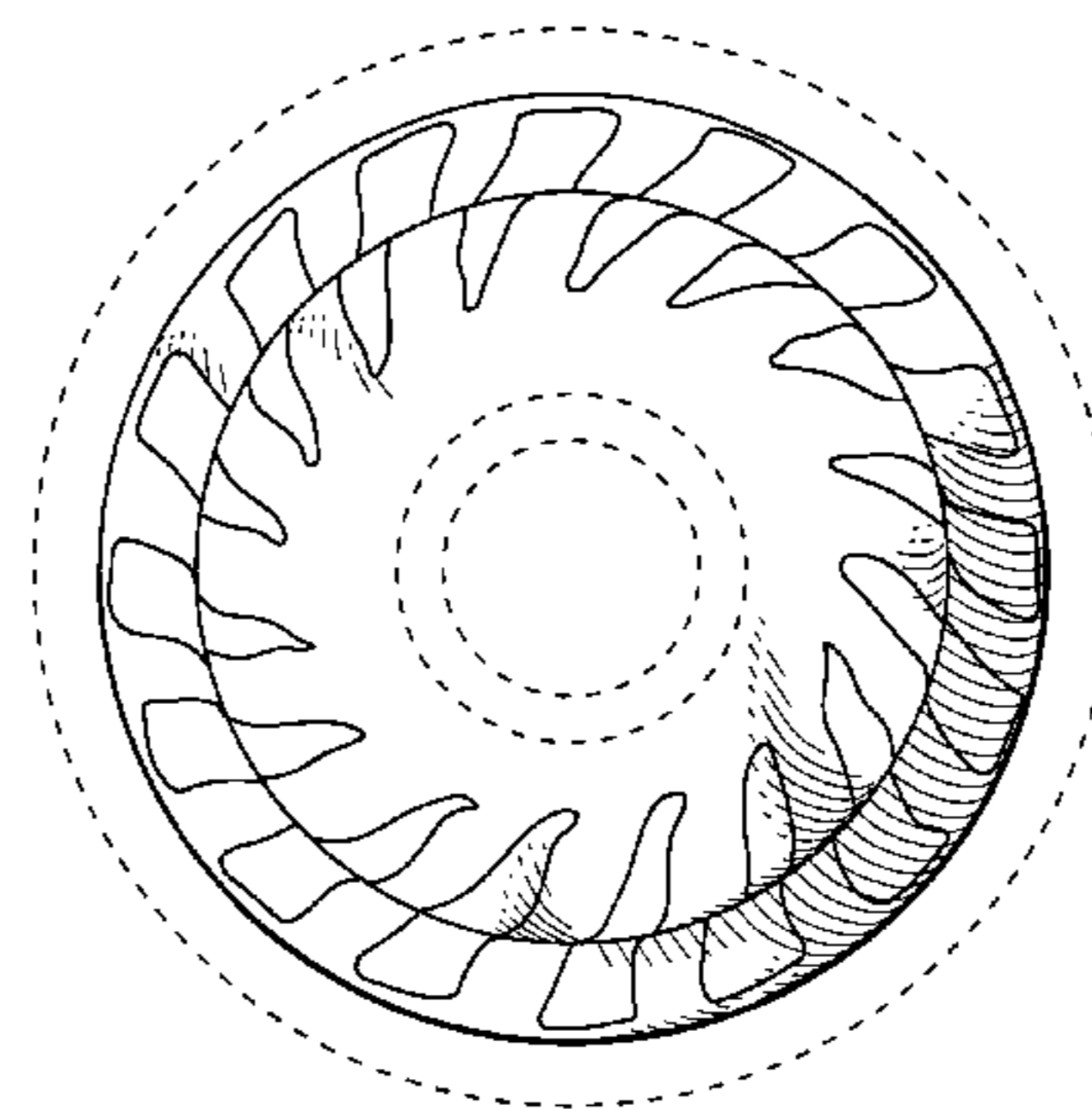
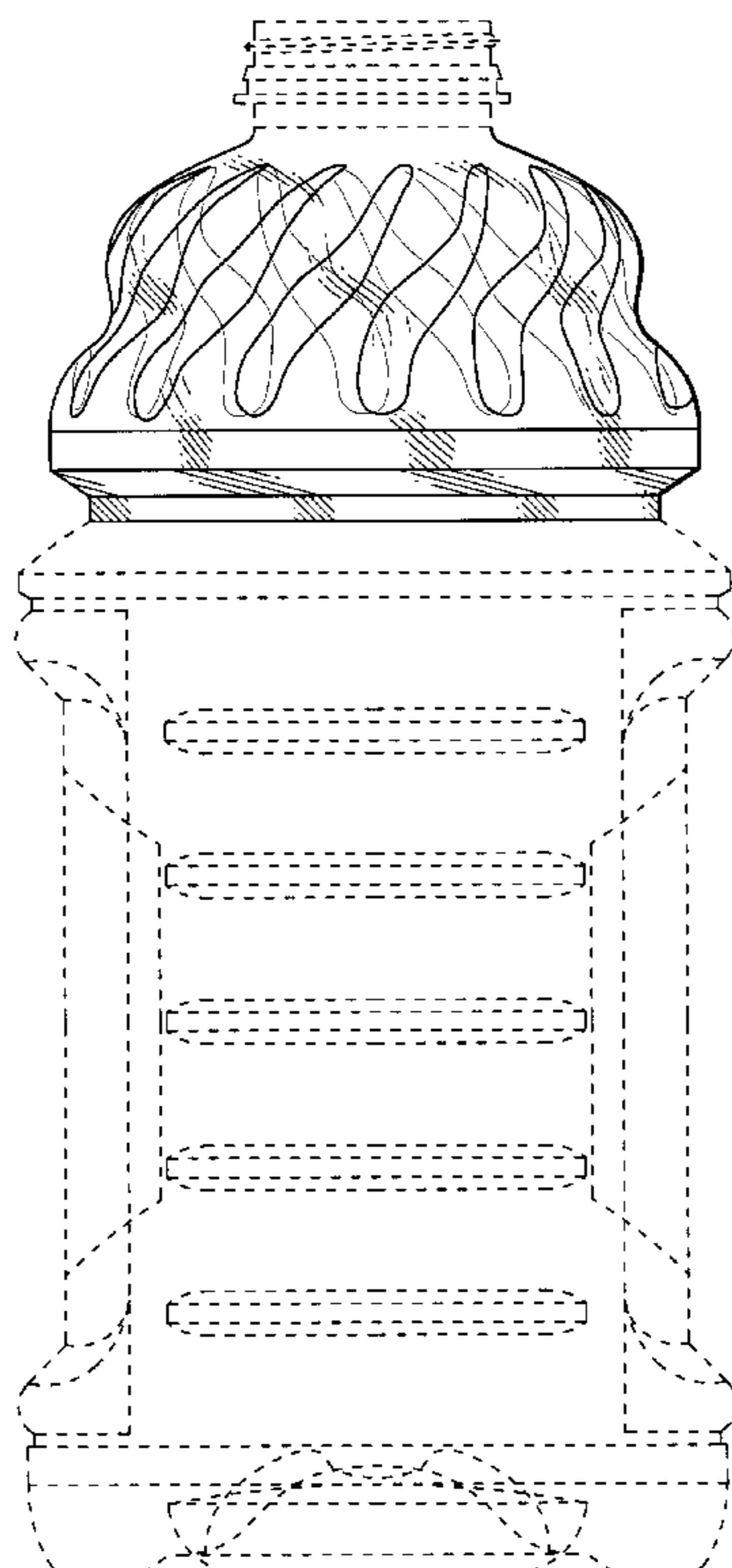
FIG. 1 is a front view of the container dome, the rear view being the same;

FIG. 2 is a side view thereof; the opposite side being the same; and,

FIG. 3 is a top view thereof.

The broken line portion of the container shown in FIGS. 1-3 is for illustrative purposes only and forms no part of the claimed design.

1 Claim, 3 Drawing Sheets



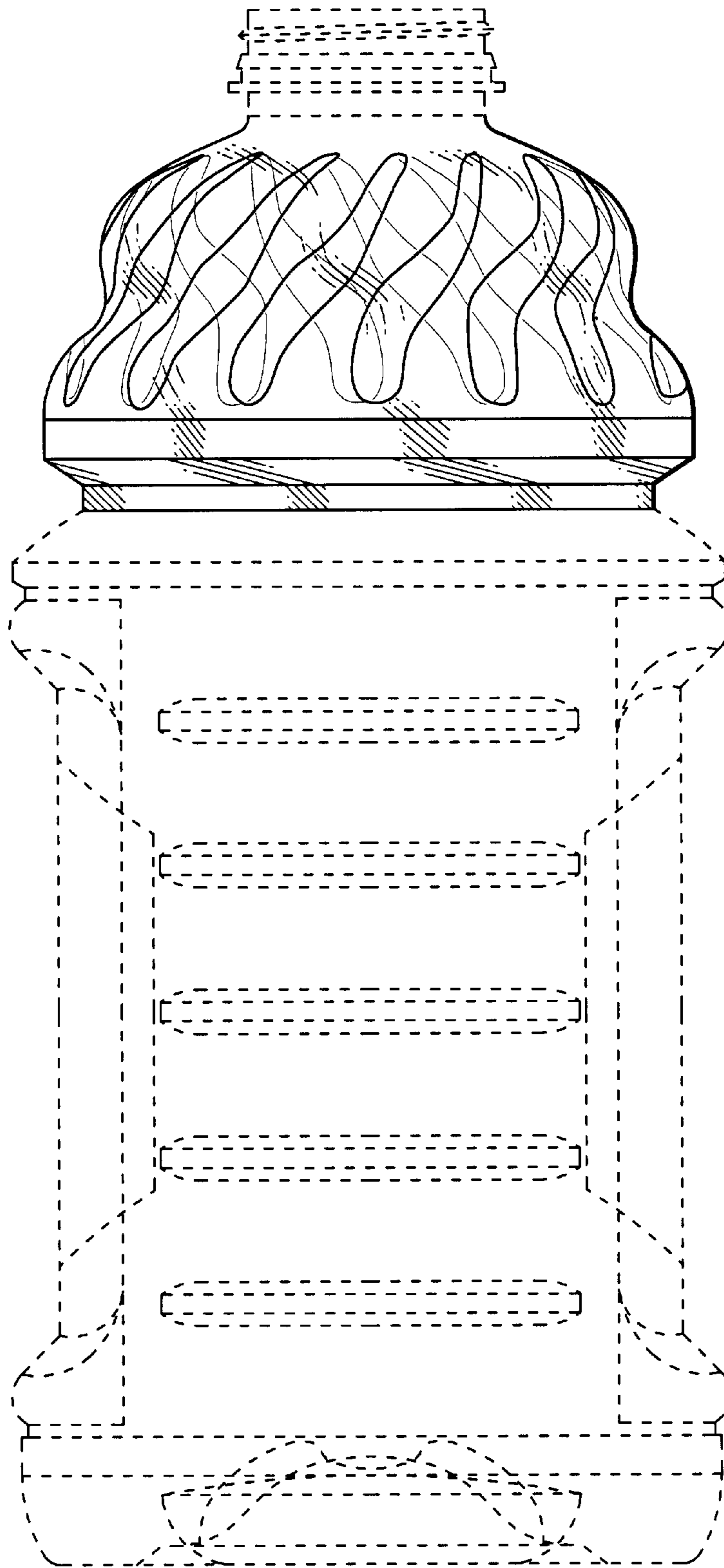


Fig. 1

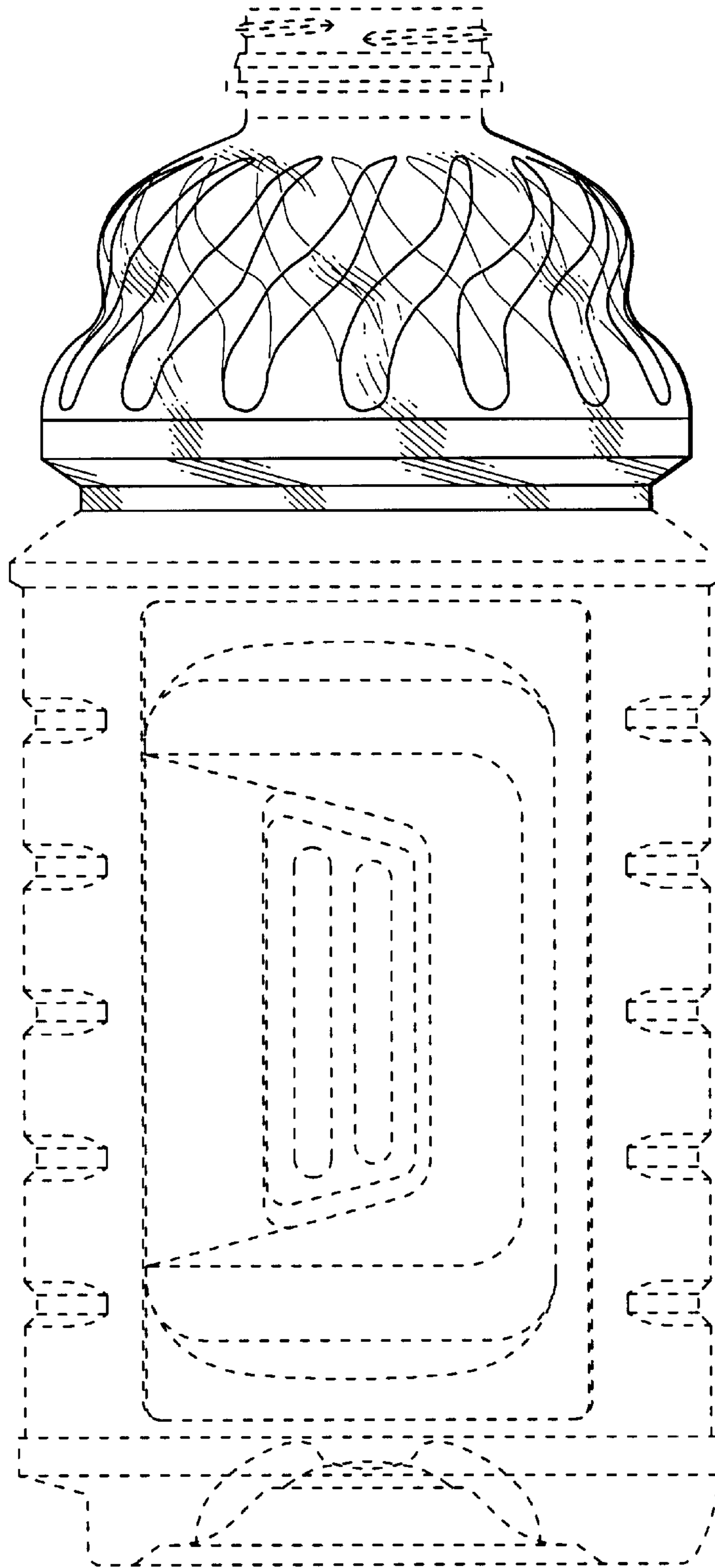


Fig. 2

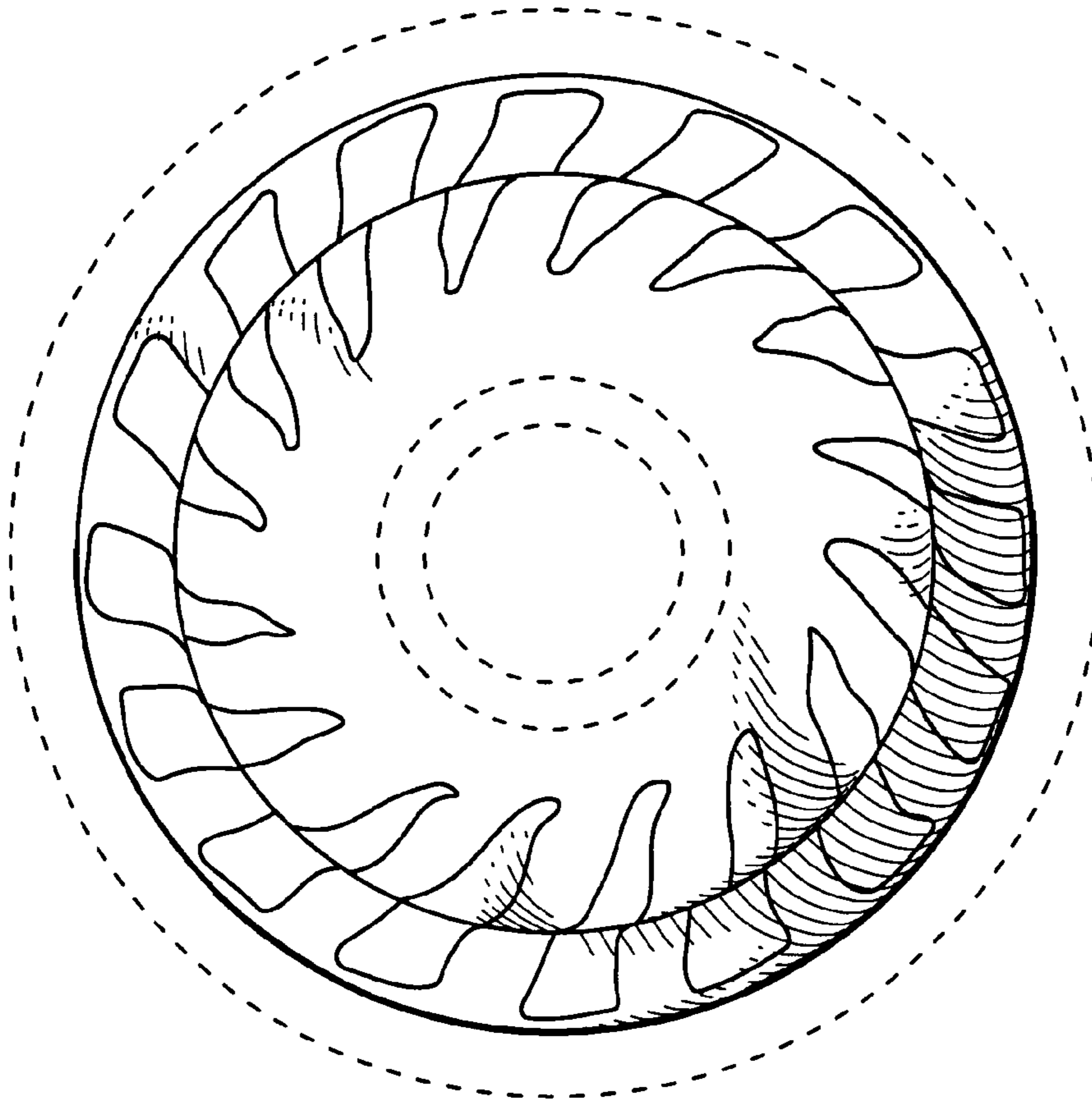


Fig. 3