



US00D462012S

(12) **United States Design Patent**
Manderfield, Jr.

(10) **Patent No.:** **US D462,012 S**

(45) **Date of Patent:** **** Aug. 27, 2002**

(54) **CONTAINER**

D389,067 S * 1/1998 Lown D9/543
D393,211 S * 4/1998 Mengeu D9/543

(75) **Inventor:** **Grover John Manderfield, Jr., Mt. Prospect, IL (US)**

* cited by examiner

(73) **Assignee:** **Consolidated Container Company, LLC, Atlanta, GA (US)**

Primary Examiner—Doris V. Coles

Assistant Examiner—Carol Rademaker

(**) **Term:** **14 Years**

(74) *Attorney, Agent, or Firm*—Sonnenschein, Nath & Rosenthal

(21) **Appl. No.:** **29/136,776**

(57) **CLAIM**

(22) **Filed:** **Feb. 7, 2001**

The ornamental design for a “container”, as shown and described.

(51) **LOC (7) Cl.** **09-01**

DESCRIPTION

(52) **U.S. Cl.** **D9/530; D9/560; D9/563**

(58) **Field of Search** D9/500, 516, 530, D9/531, 539, 540, 545, 549, 558, 563, 571, 572, 574, 575, 543, 520, 550; 215/381–384, 396, 398, 400; 220/675; 222/210; D3/202

FIG. 1 is a perspective view of a container embodying the present invention.

FIG. 2 is an elevational view the of a first side of the container of FIG. 1, a third opposite side of which is in a mirror image thereof.

(56) **References Cited**

U.S. PATENT DOCUMENTS

- D198,287 S * 5/1964 Hulterstrum D9/543
- D225,211 S * 11/1972 Sackler et al. D9/573
- D237,360 S * 10/1975 Oliveira D9/542
- D269,948 S * 8/1983 Janssen D9/523
- D316,813 S * 5/1991 Cannon D9/520
- D339,291 S * 9/1993 Leigner D9/520
- 5,261,544 A * 11/1993 Weaver, Jr. 215/384
- D370,850 S * 6/1996 Beaver D9/543

FIG. 3 is an elevational view of a second side of the container of FIG. 1.

FIG. 4 is an elevational view of a fourth side of the container of FIG. 1 opposite the second side; and,

FIG. 5 is a top, plan view of the container of FIG. 1.

The broken lines in FIGS. 1–5 show the threaded portion of the neck for illustrative purposes only and forms no part of the claimed invention.

1 Claim, 2 Drawing Sheets

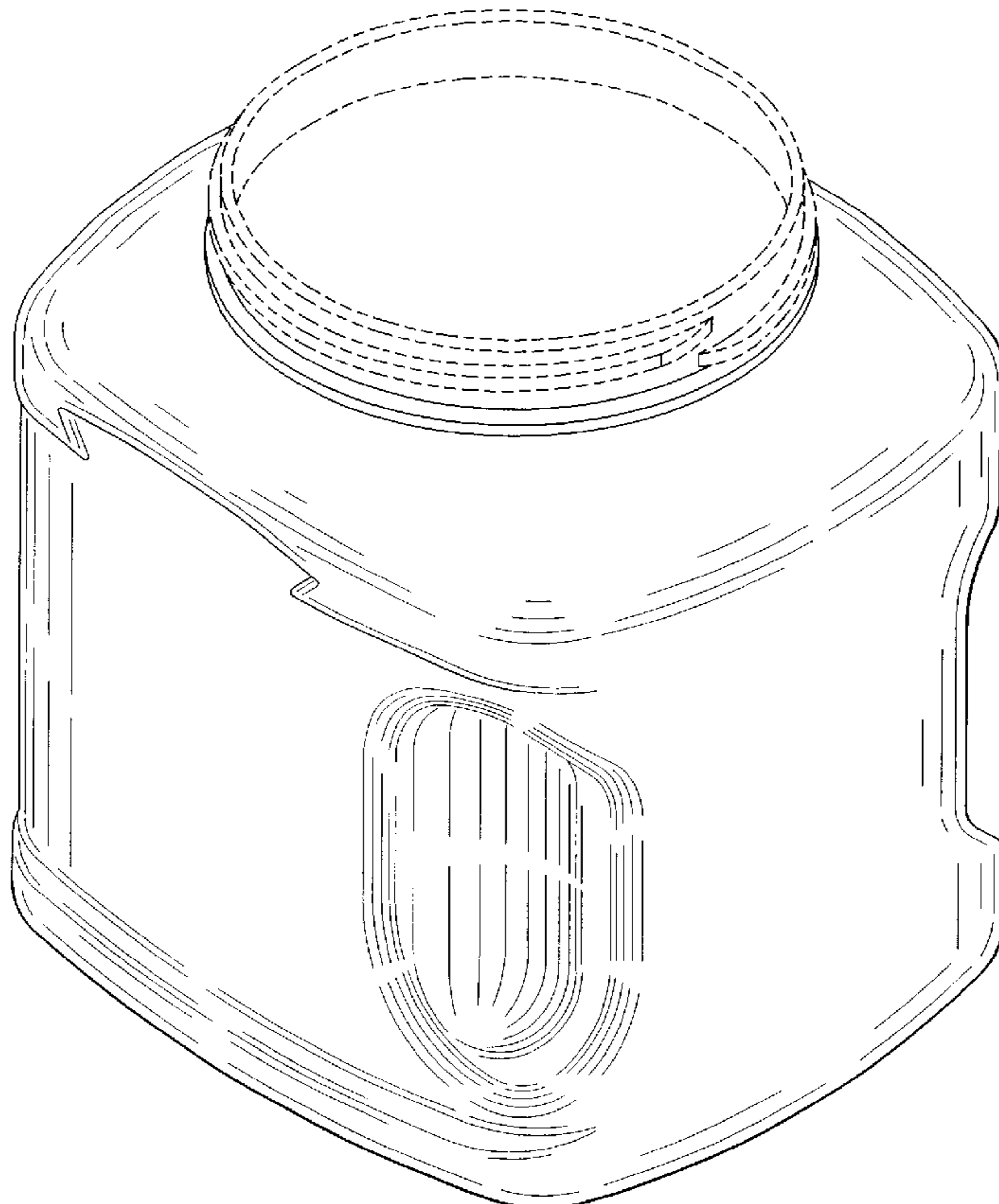


FIG.1

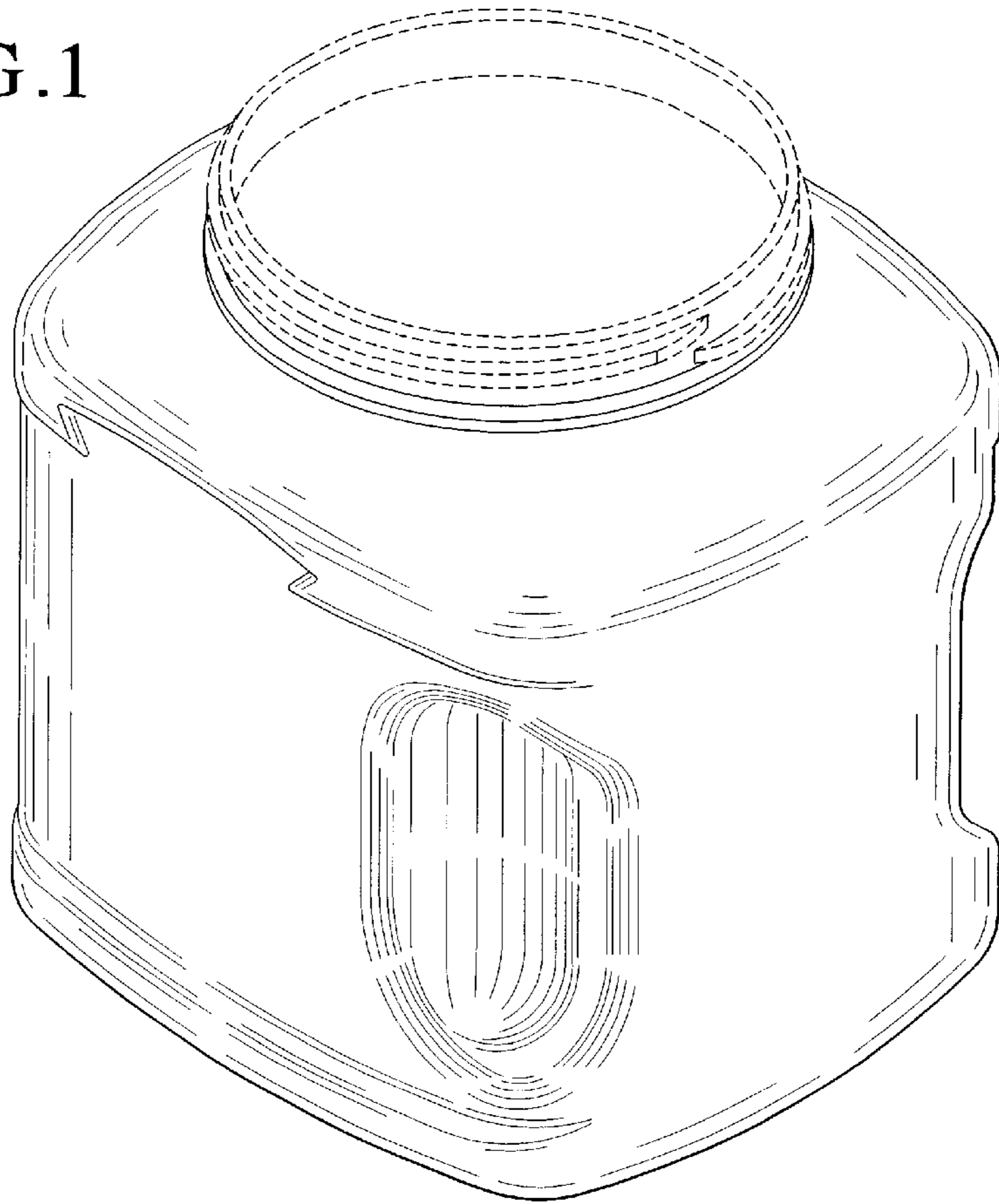


FIG.2

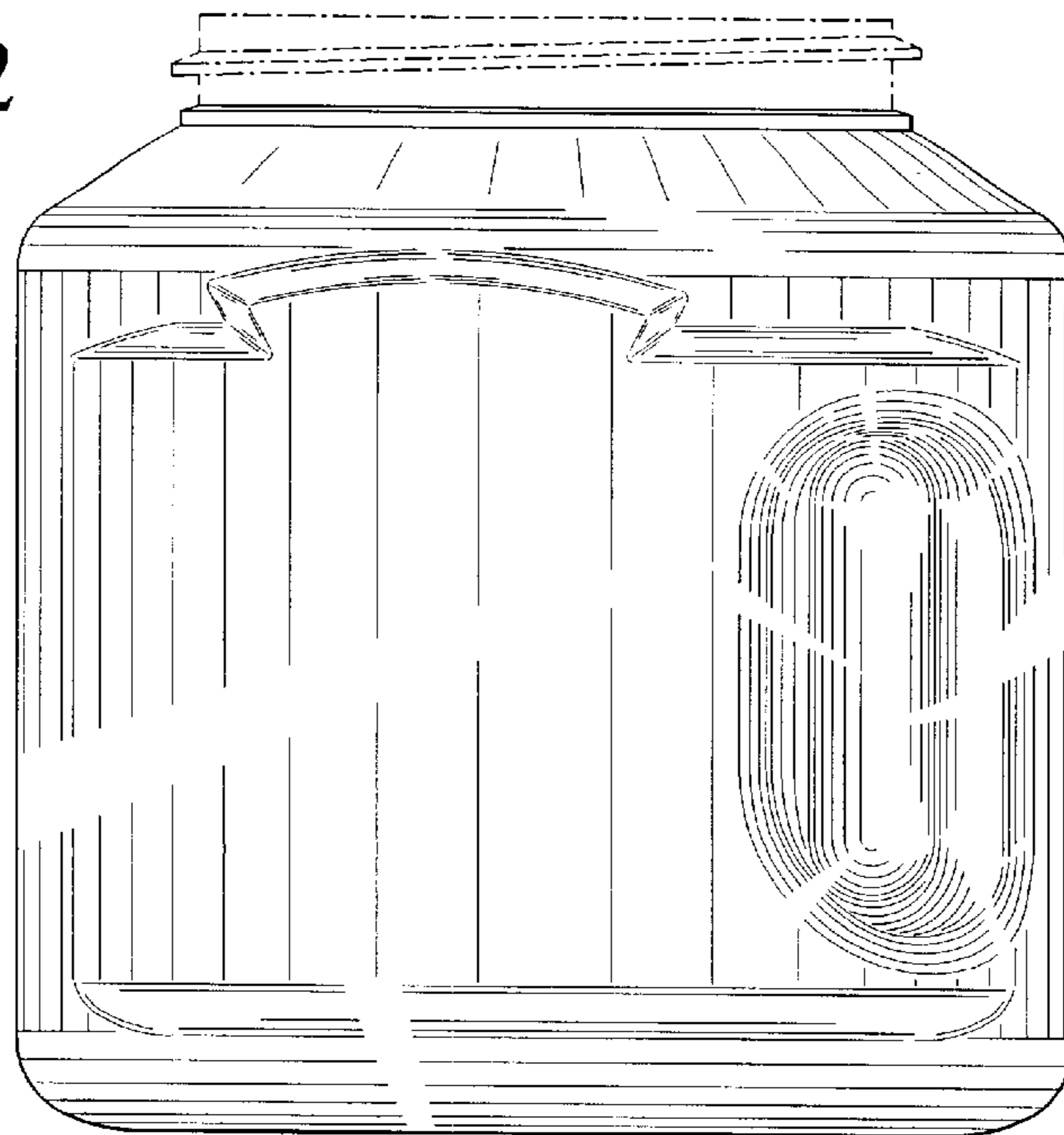


FIG.3

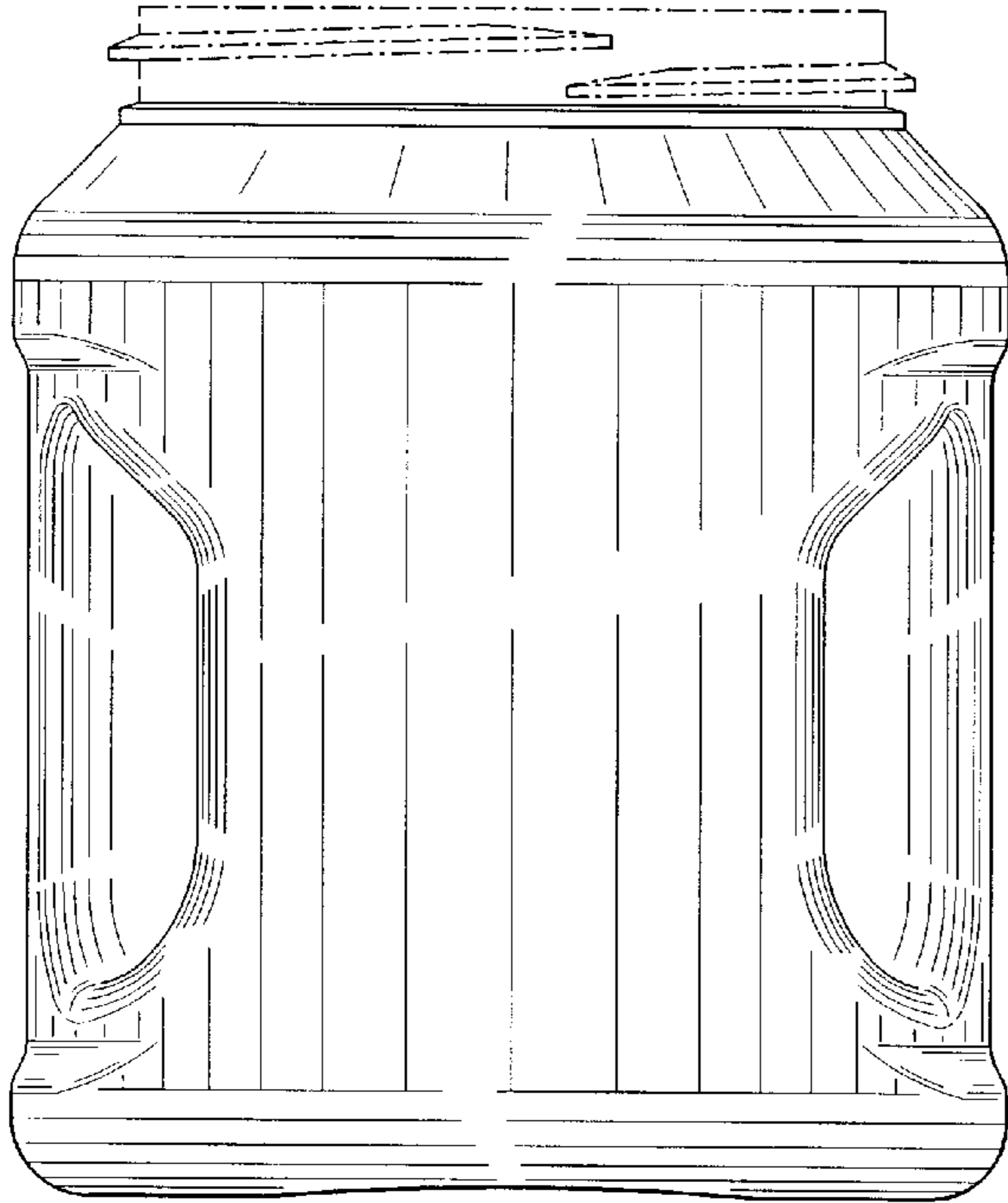


FIG.4

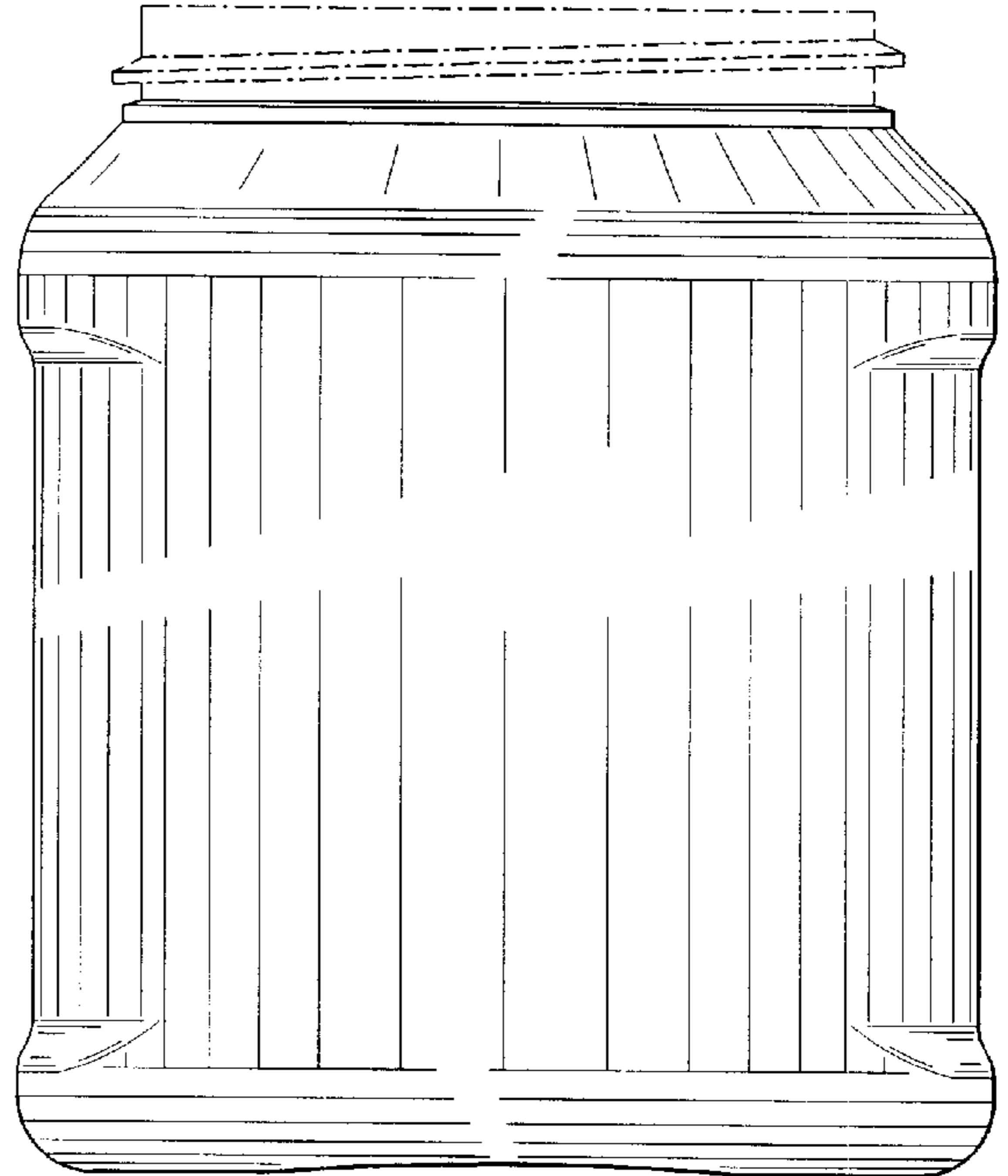


FIG.5

