



US00D462007S

(12) **United States Design Patent**
Spinoy

(10) **Patent No.:** **US D462,007 S**

(45) **Date of Patent:** **** Aug. 27, 2002**

(54) **PACKAGE FOR BOOKLETS**

(75) Inventor: **Francis Spinoy**, Brussels (BE)

(73) Assignee: **Spiral SPRL** (BE)

(**) Term: **14 Years**

(21) Appl. No.: **29/144,896**

(22) Filed: **Jul. 12, 2001**

(51) **LOC (7) Cl.** **09-03**

(52) **U.S. Cl.** **D9/416; D9/415**

(58) **Field of Search** D9/414, 415, 418,
D9/432, 341, 416; 206/86, 90-96, 121,
122, 216, 345, 395, 424, 472, 473, 450,
451, 484, 214, 215, 554

(56) **References Cited**

U.S. PATENT DOCUMENTS

D263,449	S	*	3/1982	Jarund	D9/415
D283,593	S	*	4/1986	Hofer	D9/416
4,640,411	A	*	2/1987	Fery	206/424
D303,931	S	*	10/1989	Miller et al.	D9/415
5,584,387	A	*	12/1996	Grant	206/579
5,772,247	A	*	6/1998	Legrand	206/579
D434,319	S	*	11/2000	Mori	D9/423
6,227,444	B1	*	5/2001	Makoesky et al.	206/424
D452,147	S	*	12/2001	Patel et al.	D9/414

* cited by examiner

Primary Examiner—Prabhakar Deshmukh

(74) *Attorney, Agent, or Firm*—Robert M. Gamson;
Leonard Bloom

(57) **CLAIM**

The ornamental design for a package for booklets, as shown and described.

DESCRIPTION

FIG. 1 is a perspective view of a package for booklets, showing my new design.

FIG. 2 is a further perspective view, corresponding to FIG. 1, but showing the tear strip partially removed.

FIG. 3 is a top plan view of the package for booklets of FIG. 1.

FIG. 4 is a bottom plan view thereof.

FIG. 5 is a right side view thereof.

FIG. 6 is a left side view thereof.

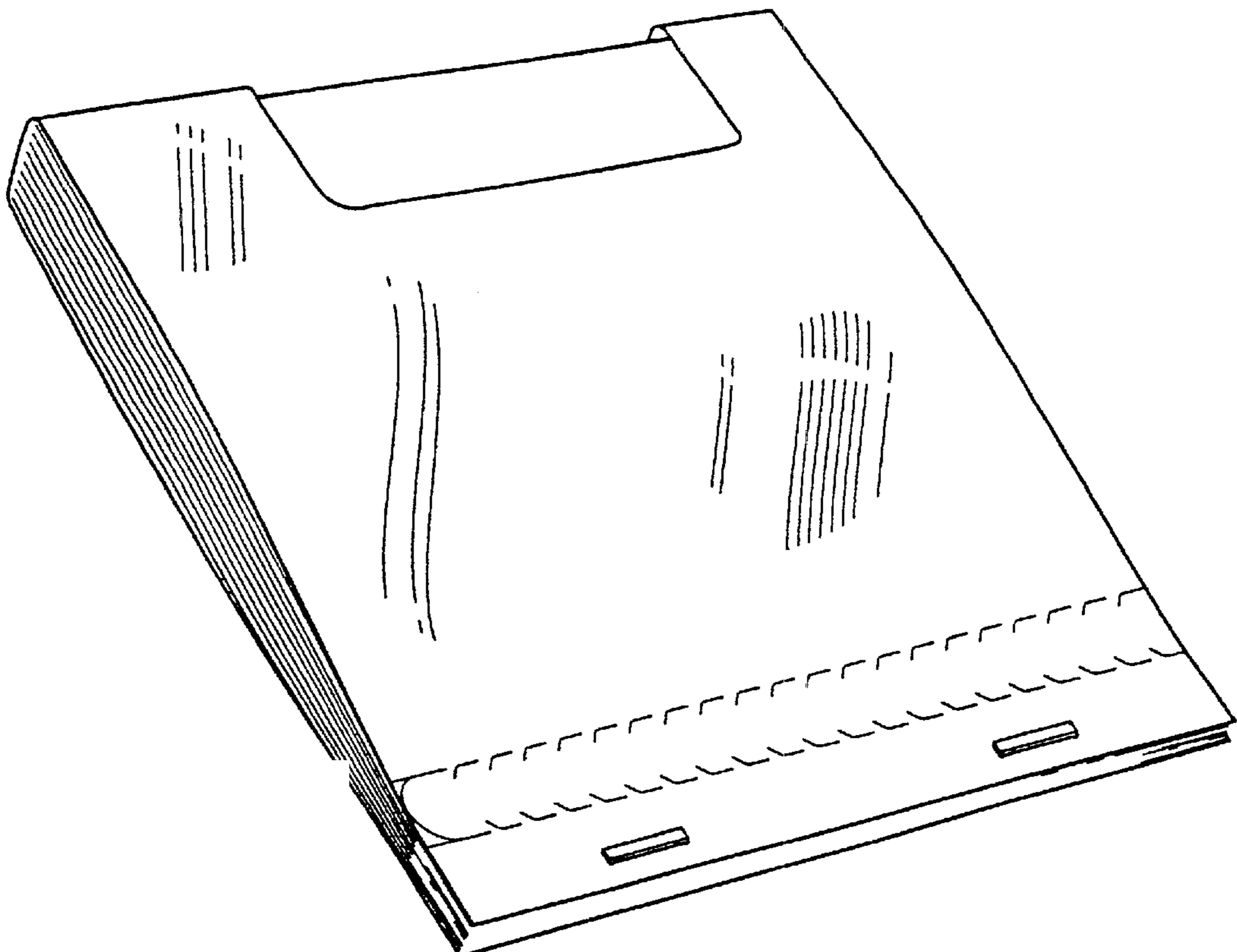
FIG. 7 is a front elevation thereof.

FIG. 8 is a rear elevation thereof.

FIG. 9 is a partial perspective view, corresponding to a portion of FIG. 1, but showing the use of rivets rather than staples to hold the package together; and,

FIG. 10 is a further perspective view, corresponding to FIG. 1, but showing the package so that one of the booklets may be removed therefrom.

1 Claim, 4 Drawing Sheets



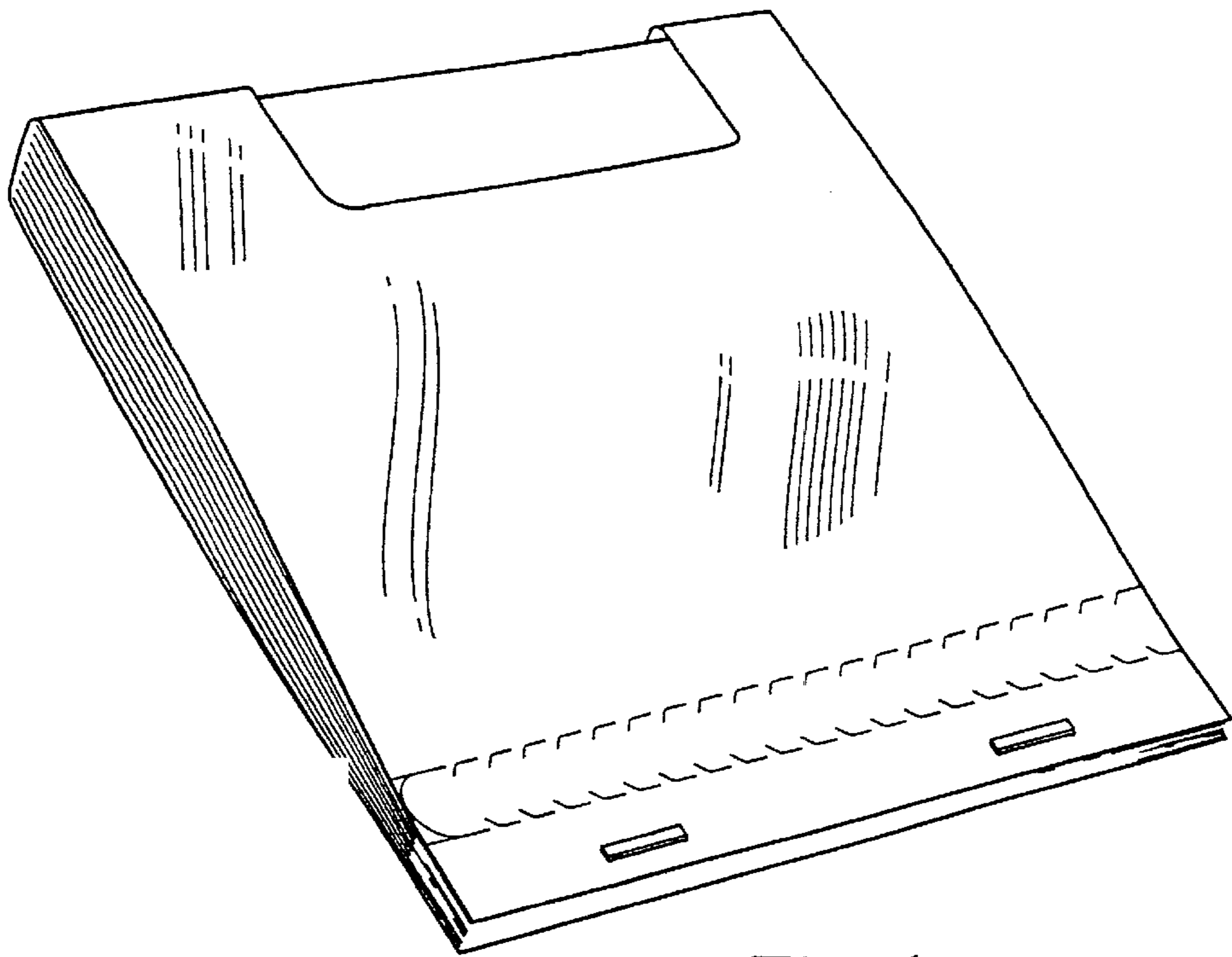


Fig 1

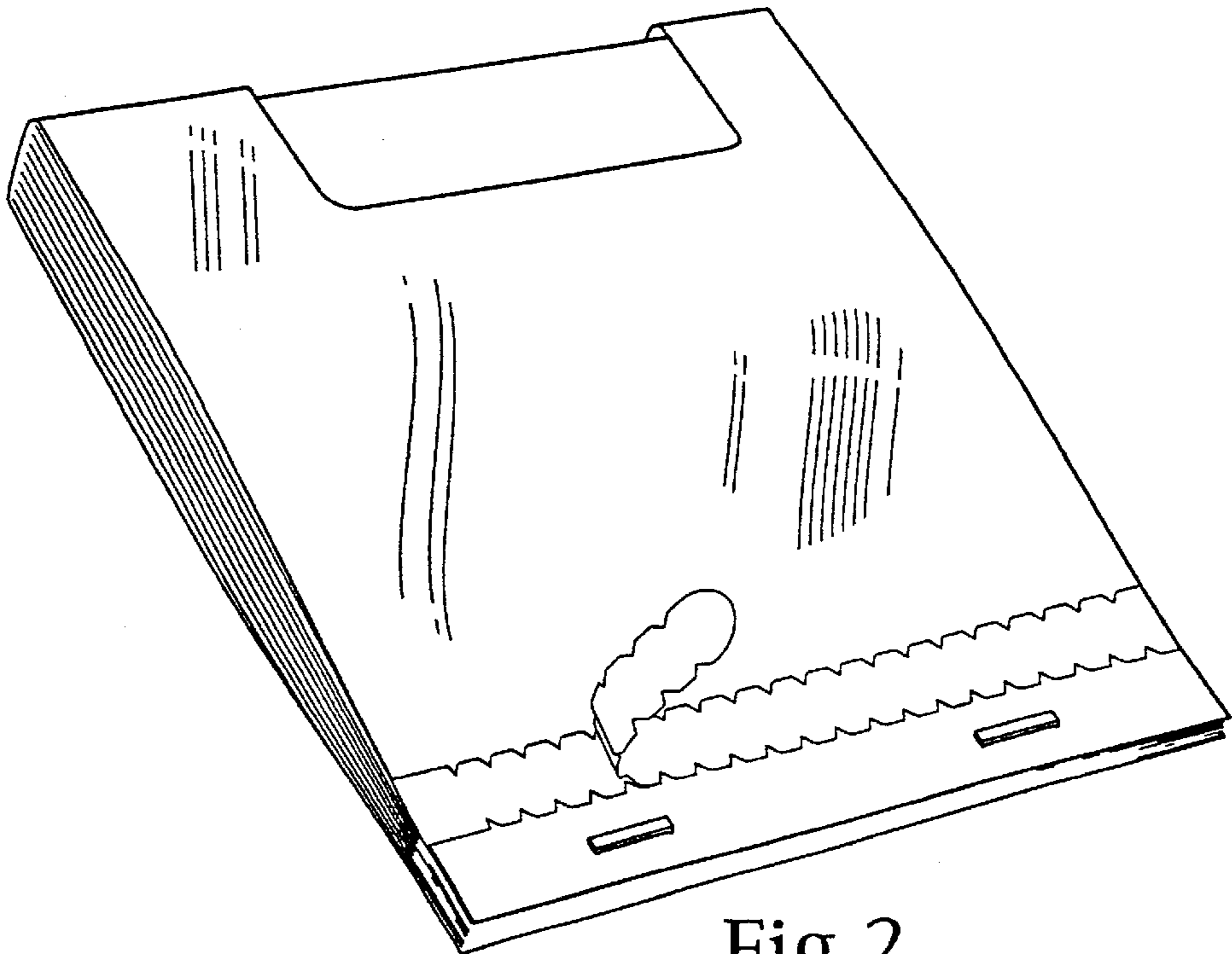


Fig 2

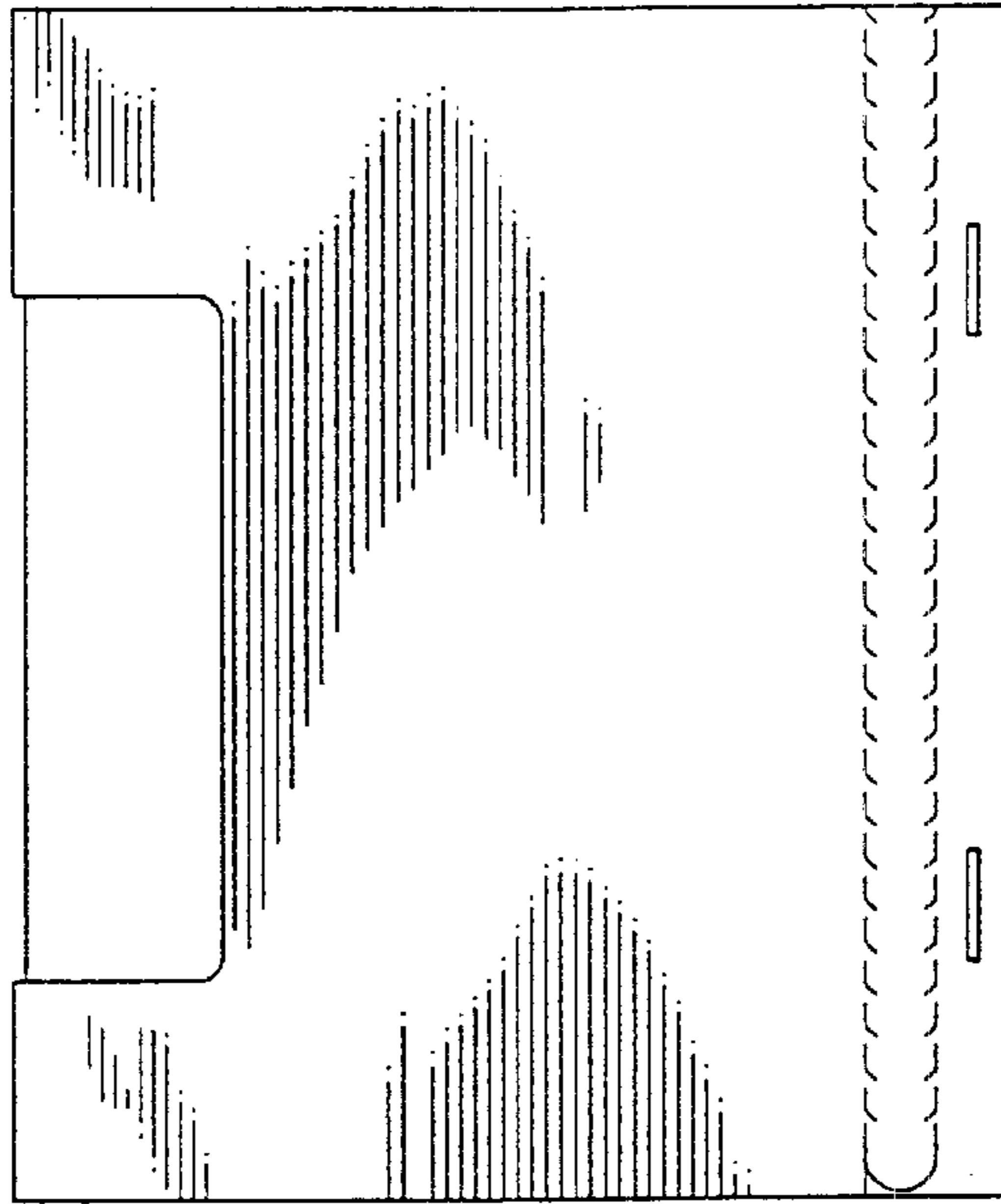


Fig 3

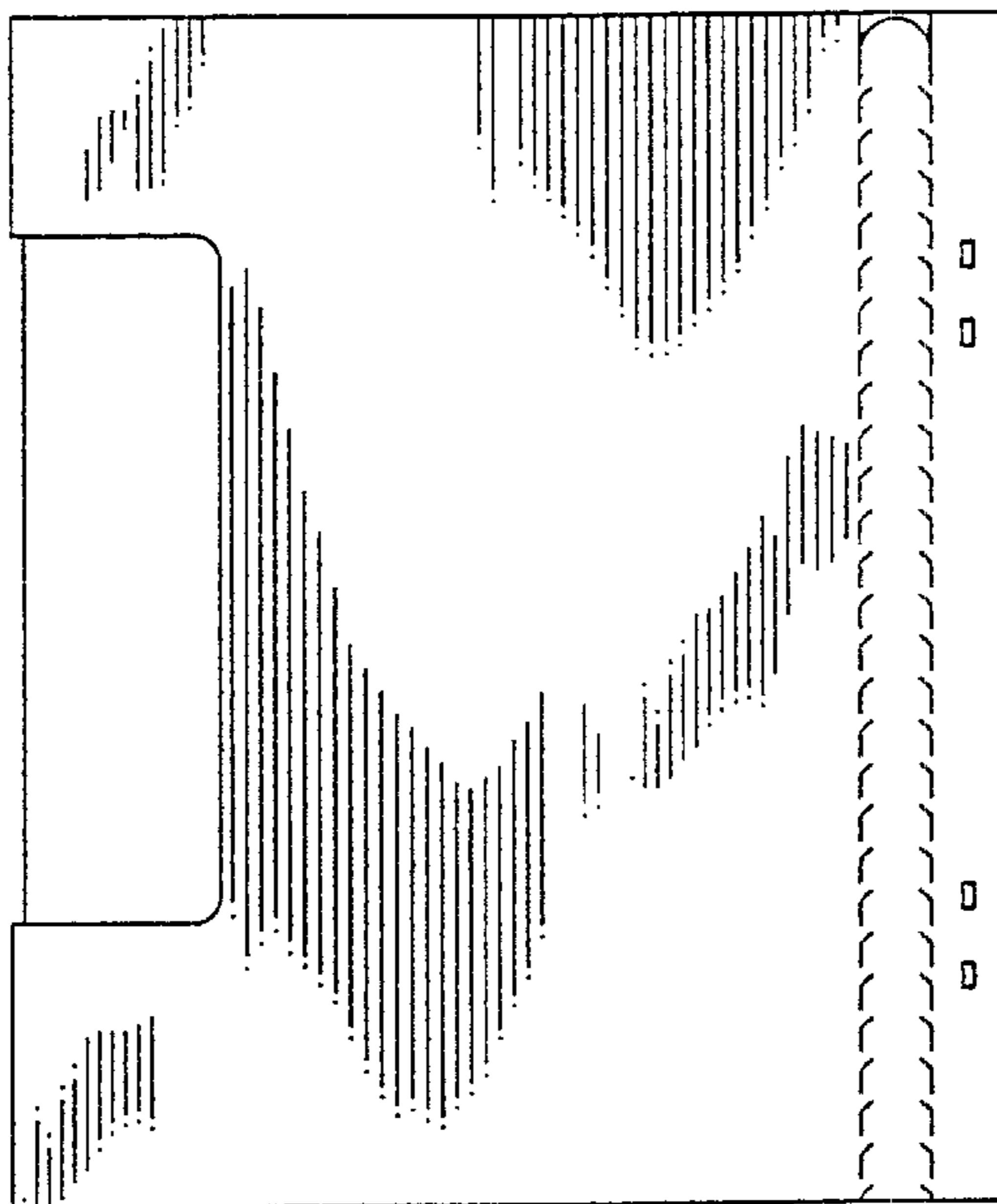


Fig 4

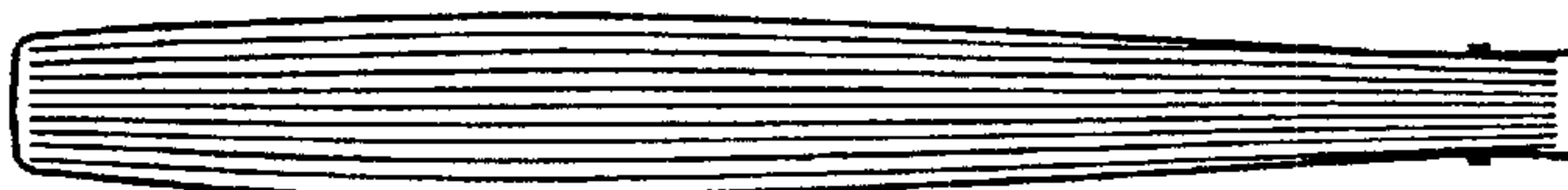


Fig 5

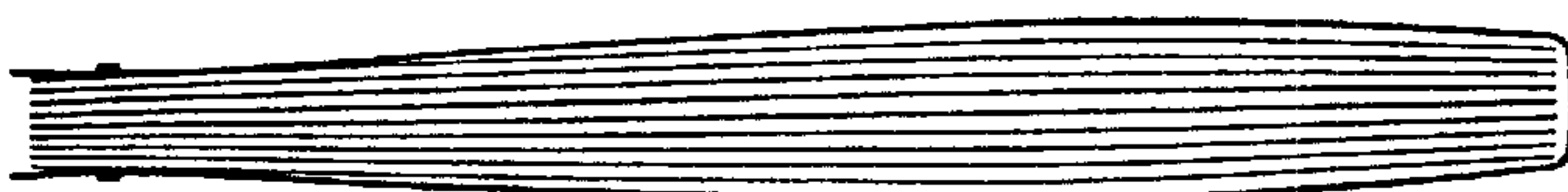


Fig 6

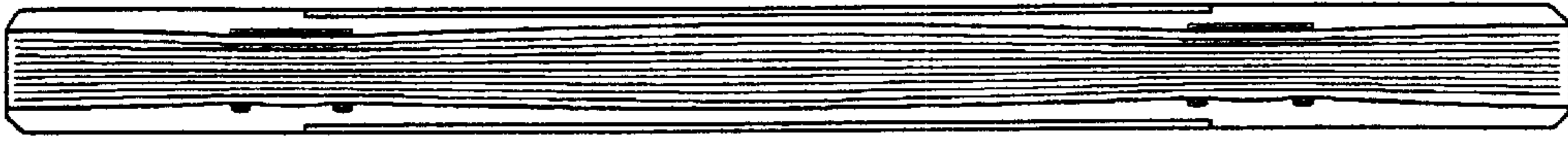


Fig 7

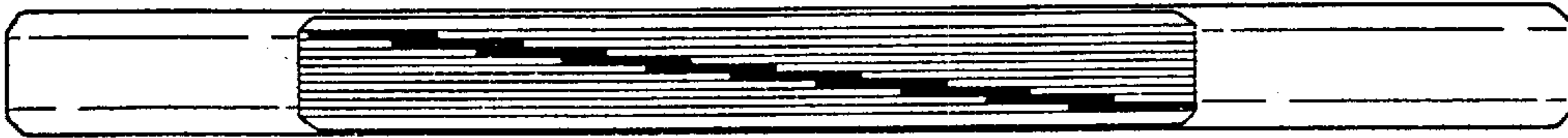


Fig 8

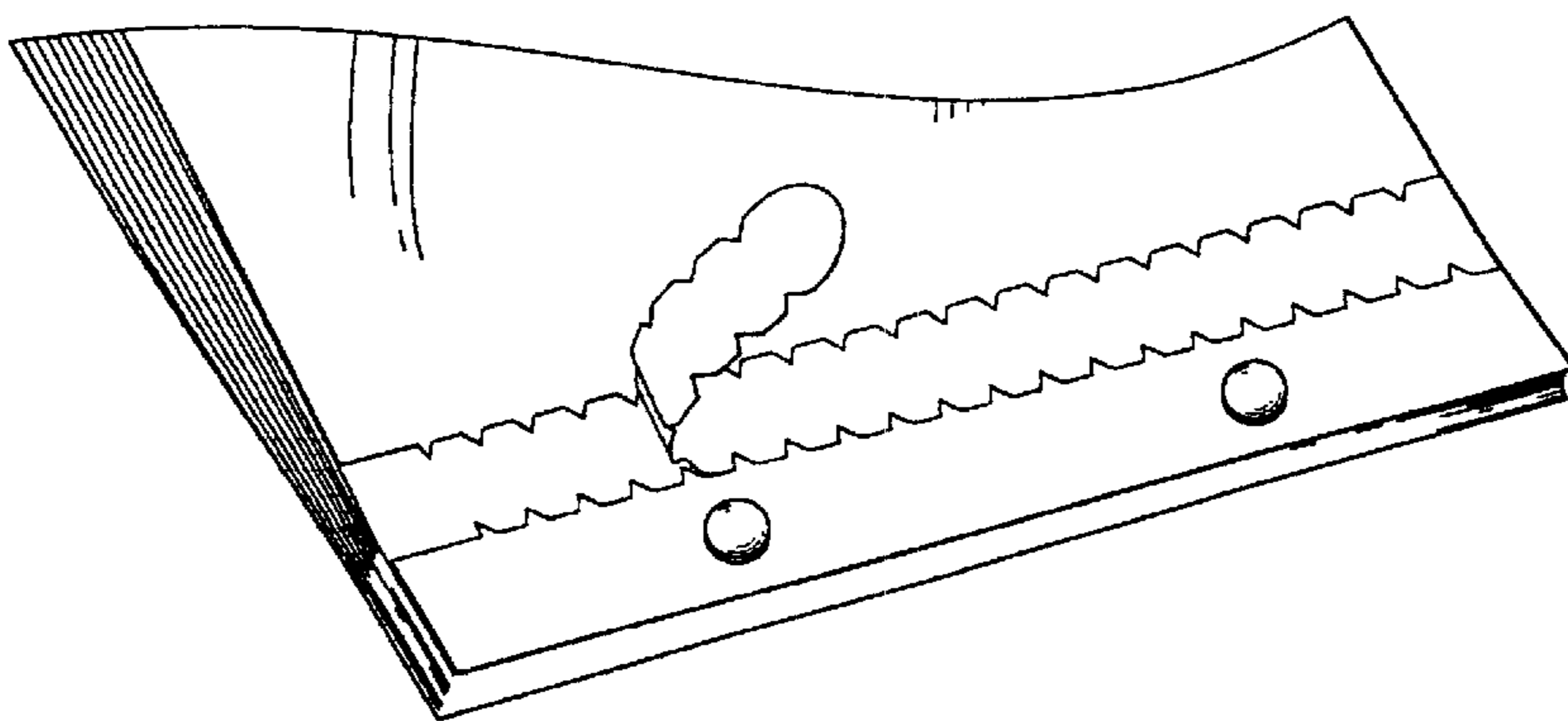


Fig 9

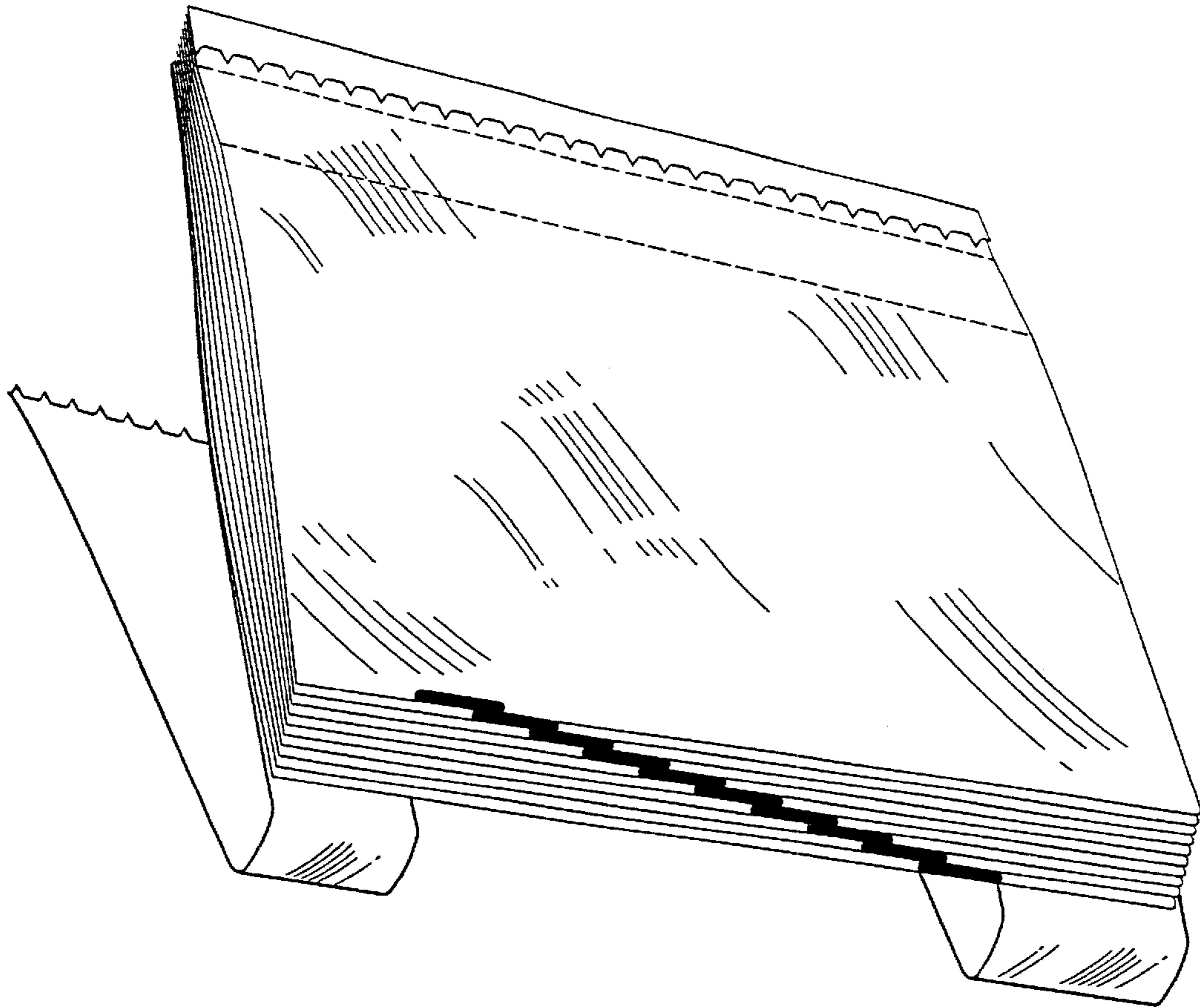


Fig 10