



US00D462004S

(12) **United States Design Patent**
Jenks

(10) **Patent No.:** **US D462,004 S**

(45) **Date of Patent:** **** Aug. 27, 2002**

(54) **SECURITY CAP FOR PLUG LOCK**

5,615,566 A 4/1997 Brandt 70/419
D451,001 S * 11/2001 Bremicker D8/331

(76) Inventor: **Bruce Jenks**, 772 Newton Way, Costa Mesa, CA (US) 92627

* cited by examiner

(**) Term: **14 Years**

Primary Examiner—Brian N. Vinson
(74) *Attorney, Agent, or Firm*—Walter A. Hackler

(21) Appl. No.: **29/138,508**

(57) **CLAIM**

(22) Filed: **Mar. 15, 2001**

The ornamental design for the security cap for plug lock, as shown and described.

(51) **LOC (7) Cl.** **08-07**

(52) **U.S. Cl.** **D8/343**

(58) **Field of Search** D8/330, 331, 339,
D8/341, 343, 344; 292/137, 288, 289, 340;
70/57, 58, 77, 431

DESCRIPTION

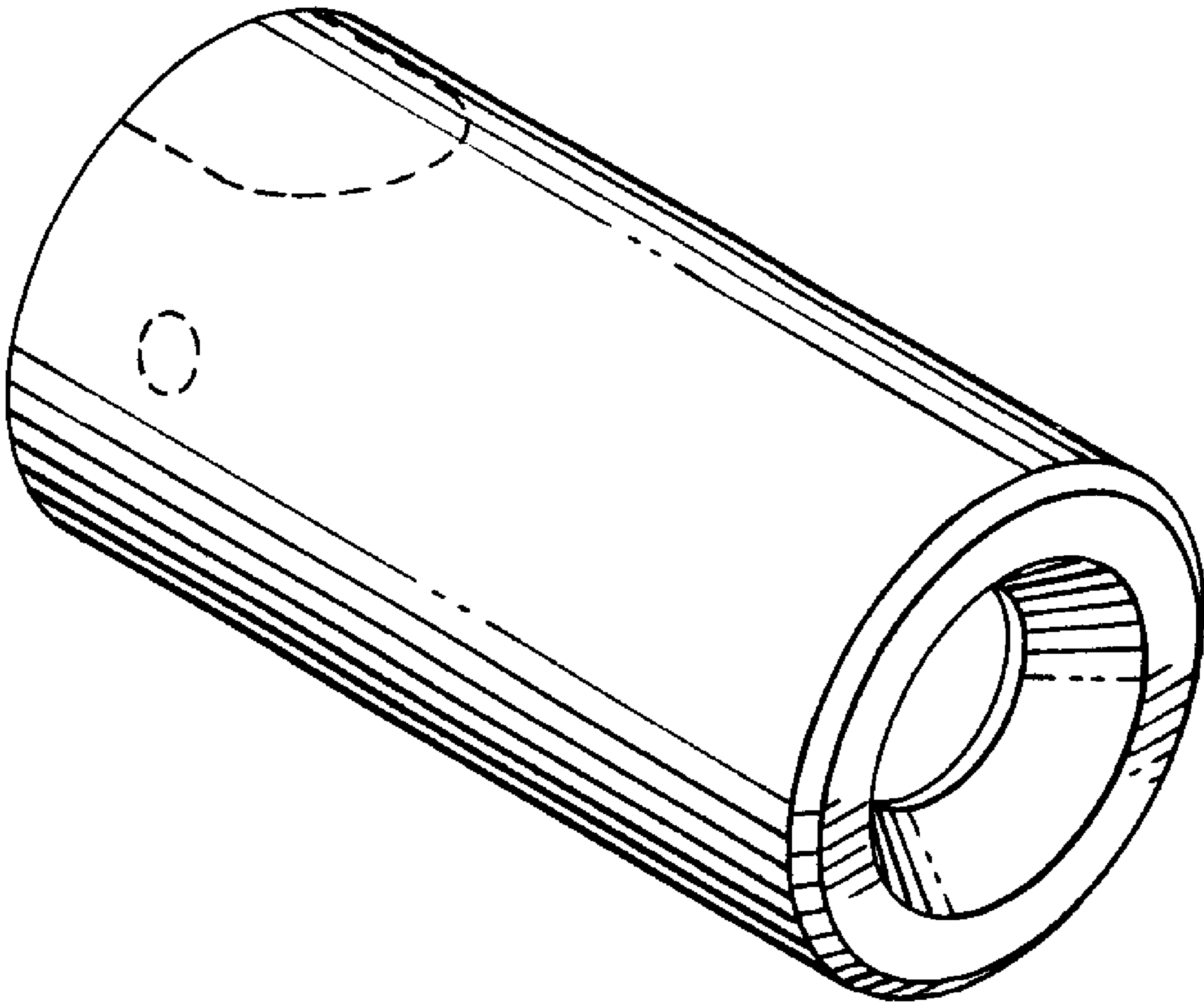
FIG. 1 is an isometric view of the present invention from a front end;
FIG. 2 is a side view of the present invention, all sides being identical; and,
FIG. 3 is a front end of the present invention.
The broken line showing in FIGS. 1-2 is for illustrative purposes only and forms no part of the claimed design, the rear end has no ornamental features.

(56) **References Cited**

U.S. PATENT DOCUMENTS

3,600,912 A * 8/1971 Foreman 70/77
4,689,978 A * 9/1987 Drummond 70/431
4,838,055 A 6/1989 Gallagher 70/208
5,235,832 A 8/1993 Lux et al. 70/368

1 Claim, 1 Drawing Sheet



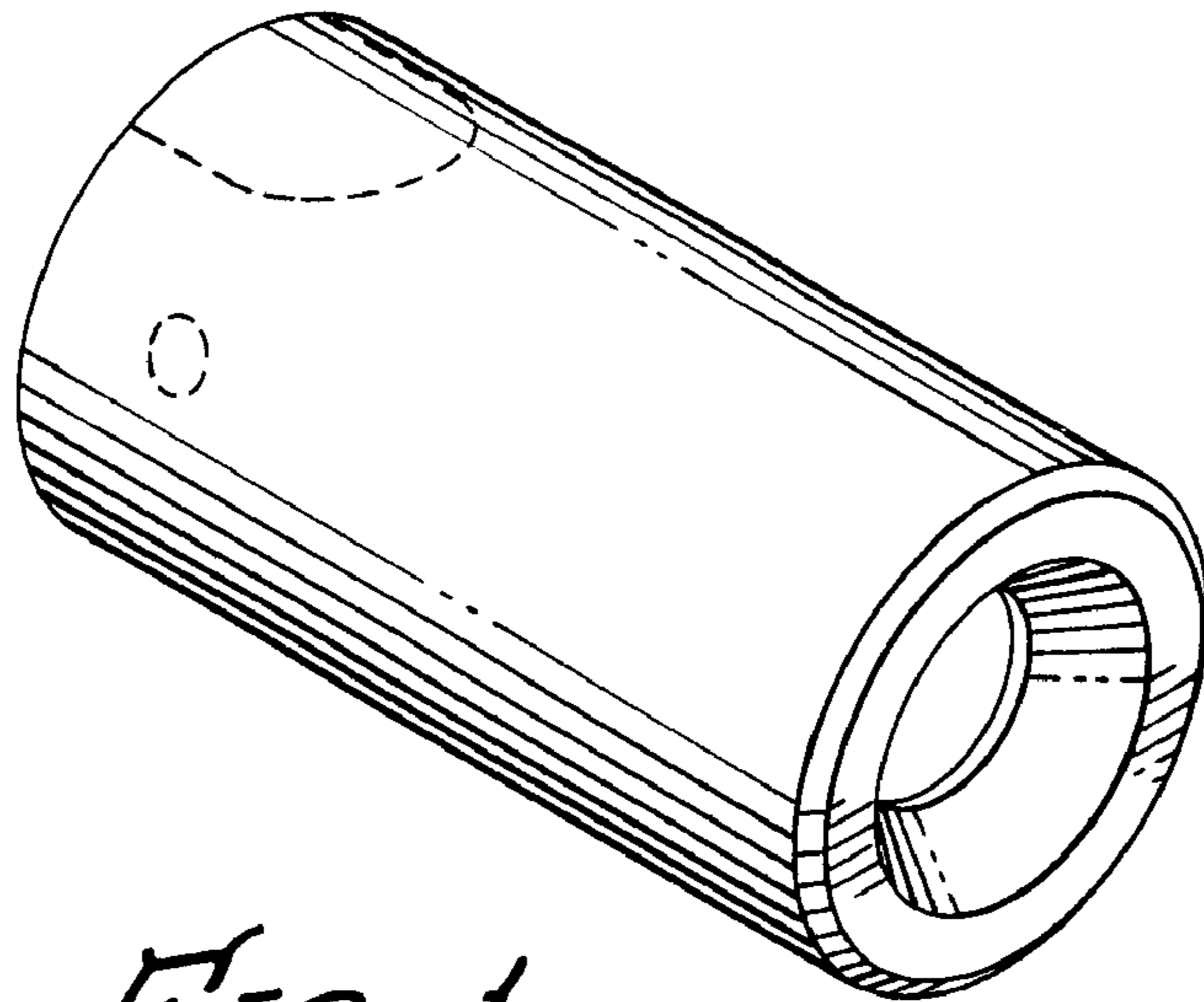


FIG. 1.

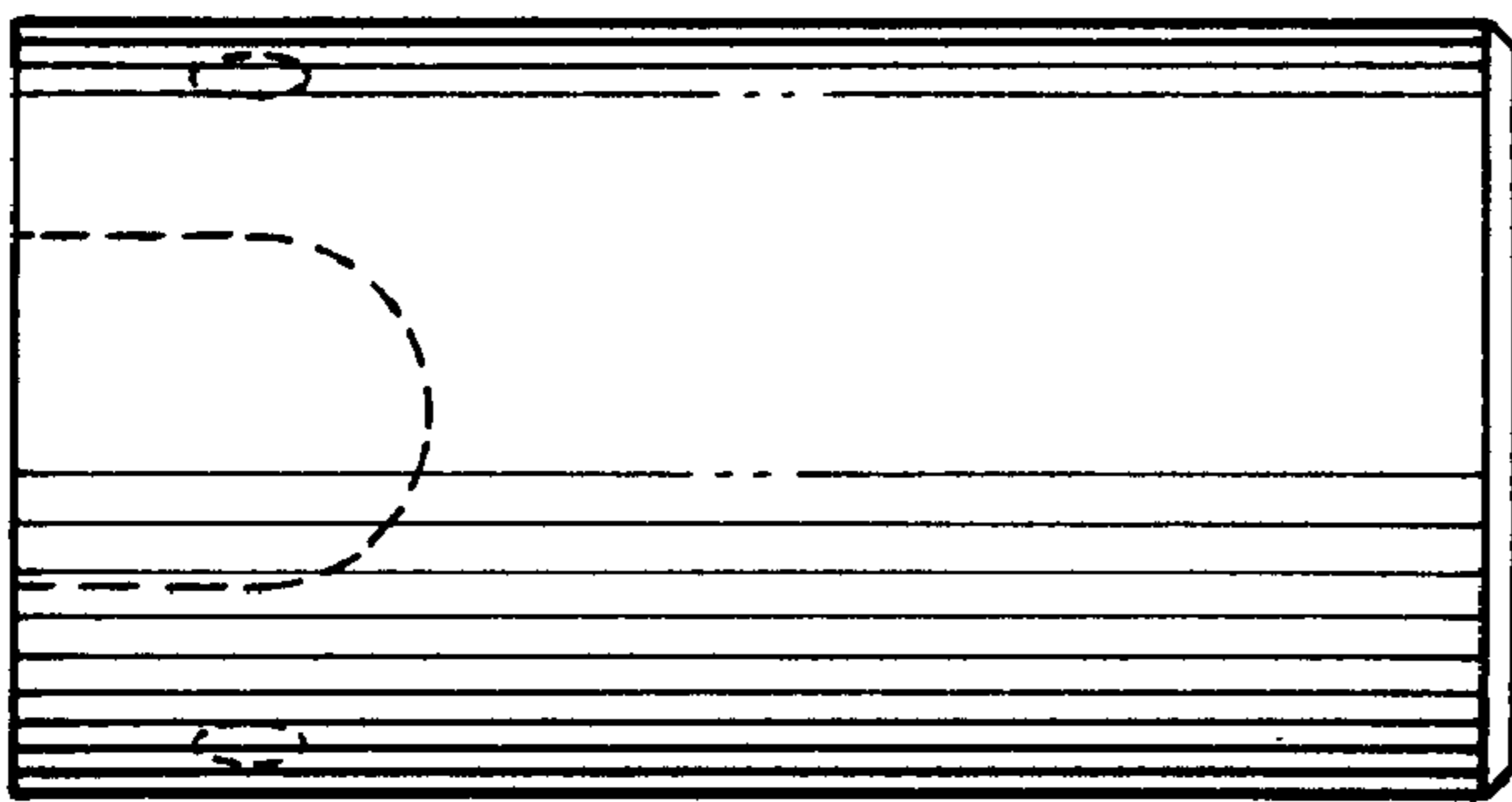


FIG. 2.

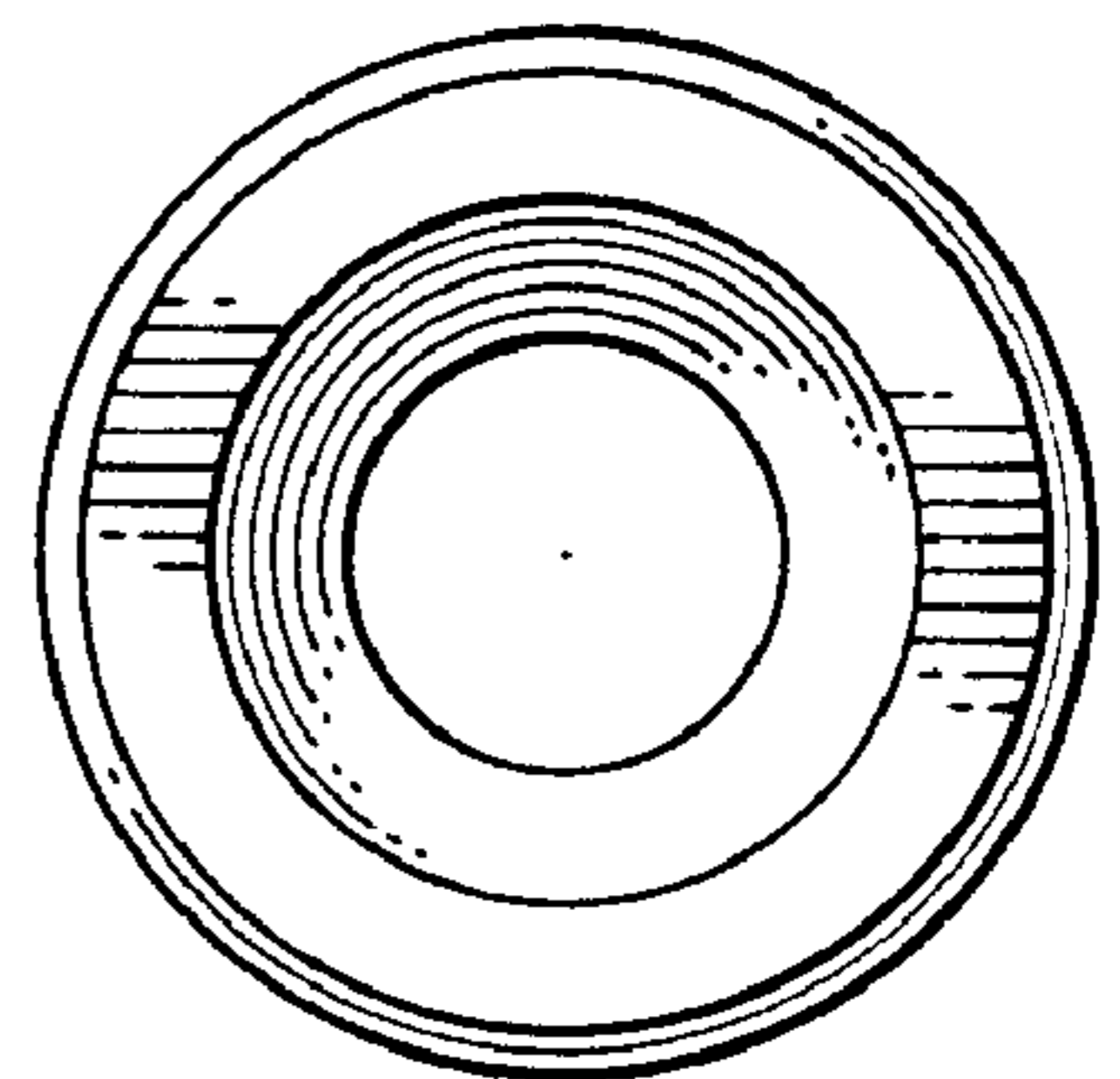


FIG. 3.