



US00D462002S

(12) **United States Design Patent**
Jean et al.

(10) **Patent No.:** **US D462,002 S**

(45) **Date of Patent:** **** Aug. 27, 2002**

(54) **GOLF KNIFE SET**

(76) Inventors: **John Kai Jean**, 1F, No. 15, Alley 36,
Lane 17, Ho-Ping Rd., Lu-Chou City,
Taipei Hsien; **Henry Lin**, 3F, No. 329,
Lung-Chiang Rd., Taipei, both of (TW)

(**) Term: **14 Years**

(21) Appl. No.: **29/138,698**

(22) Filed: **Mar. 20, 2001**

(51) **LOC (7) Cl.** **08-05**

(52) **U.S. Cl.** **D8/105**

(58) **Field of Search** D8/105, 14, 26,
D8/55, 81, 87, 98, 99, 107; 7/118, 119,
125, 126, 127, 128, 129, 130, 131, 132,
133, 134, 135, 138, 143, 164, 170; 30/125,
147, 152, 153, 155, 161, 164, 408; 81/177.1,
177.2, 177.6, 427.5, 335, 440

(56) **References Cited**

U.S. PATENT DOCUMENTS

232,996 A	*	10/1880	McGovern	30/125
702,968 A	*	6/1902	Kinney	30/155
1,213,138 A	*	1/1917	Allen	30/155
1,810,031 A	*	6/1931	Schrade	7/118
D302,102 S	*	7/1989	Amagaya	D8/105
D306,393 S	*	3/1990	Malochet	D8/107
D308,462 S	*	6/1990	Komatsu	D8/105
D382,190 S	*	8/1997	Blackston et al.	D8/105

5,661,908 A	*	9/1997	Chen	30/161
D389,030 S	*	1/1998	Wensley	D8/105
D407,620 S	*	4/1999	Cachot	D8/105
D429,988 S	*	8/2000	Lau et al.	D8/105
D433,303 S	*	11/2000	Park	D8/105
D433,901 S	*	11/2000	Hepworth	D8/14
D446,436 S	*	8/2001	Christianson	D8/105
D447,041 S	*	8/2001	Rivera	D8/105
D448,267 S	*	9/2001	Jean et al.	D8/105
D450,229 S	*	11/2001	Lin	D8/107

* cited by examiner

Primary Examiner—Doris V. Coles

Assistant Examiner—T. Chase Nelson

(74) *Attorney, Agent, or Firm*—Bacon & Thomas, PLLC

(57) **CLAIM**

The ornamental design for golf knife set, as shown and described.

DESCRIPTION

FIG. 1 is a perspective view of golf knife set showing our new design thereof;

FIG. 2 is a right side elevational view thereof;

FIG. 3 is a top plan view thereof;

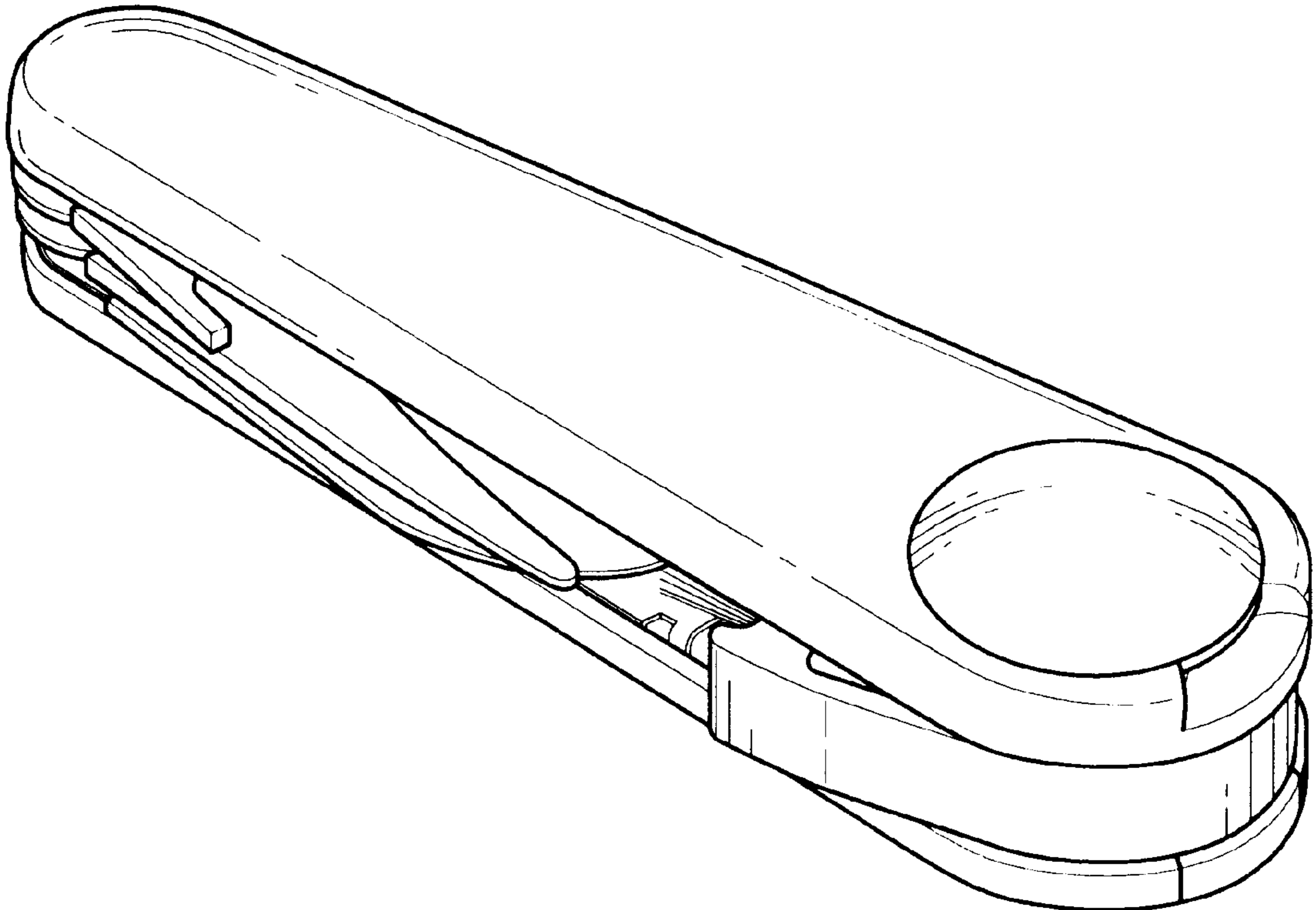
FIG. 4 is a front elevational view thereof;

FIG. 5 is a bottom plan view thereof;

FIG. 6 is a left side elevational view thereof; and,

FIG. 7 is a rear elevational view thereof.

1 Claim, 4 Drawing Sheets



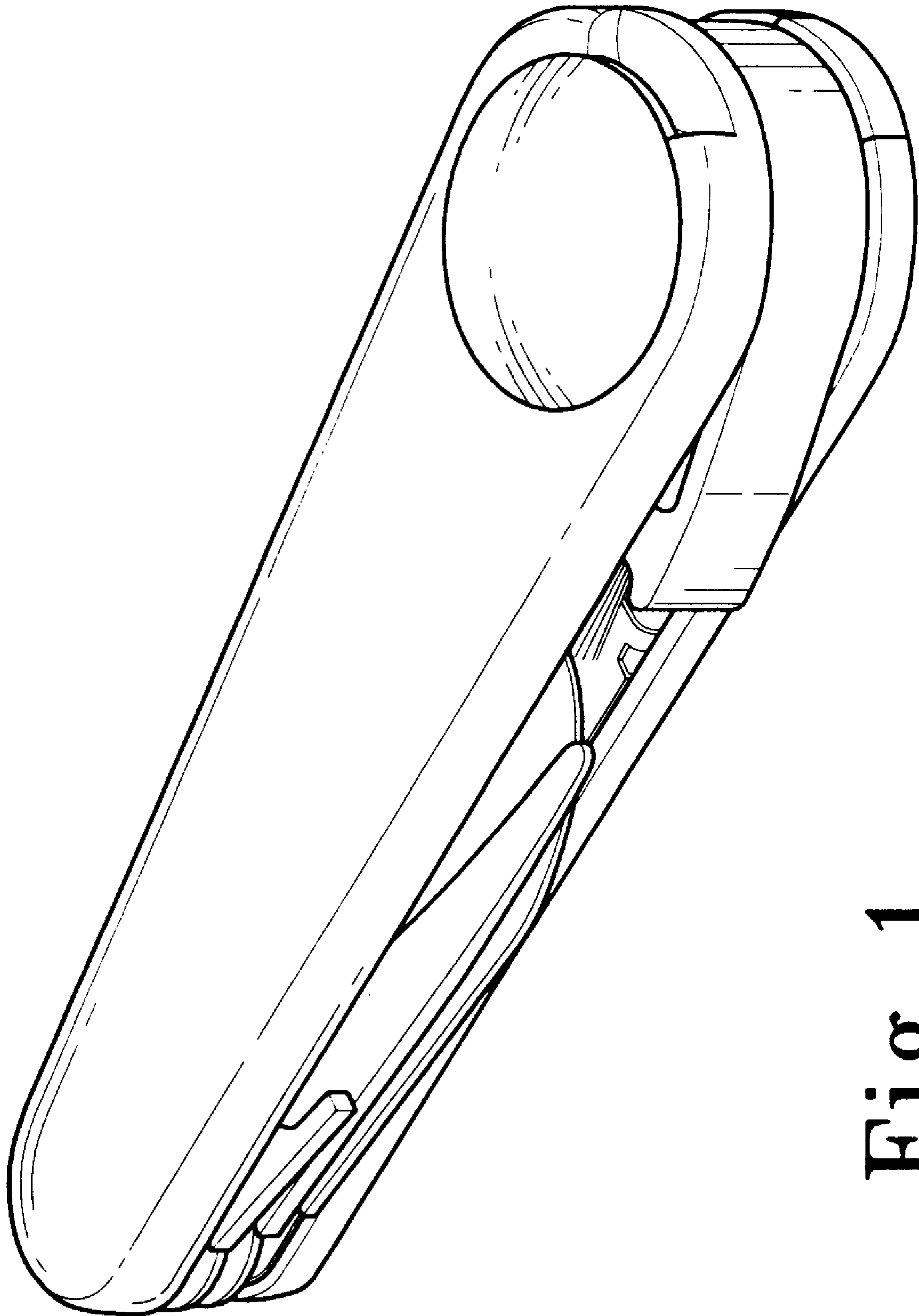


Fig. 1

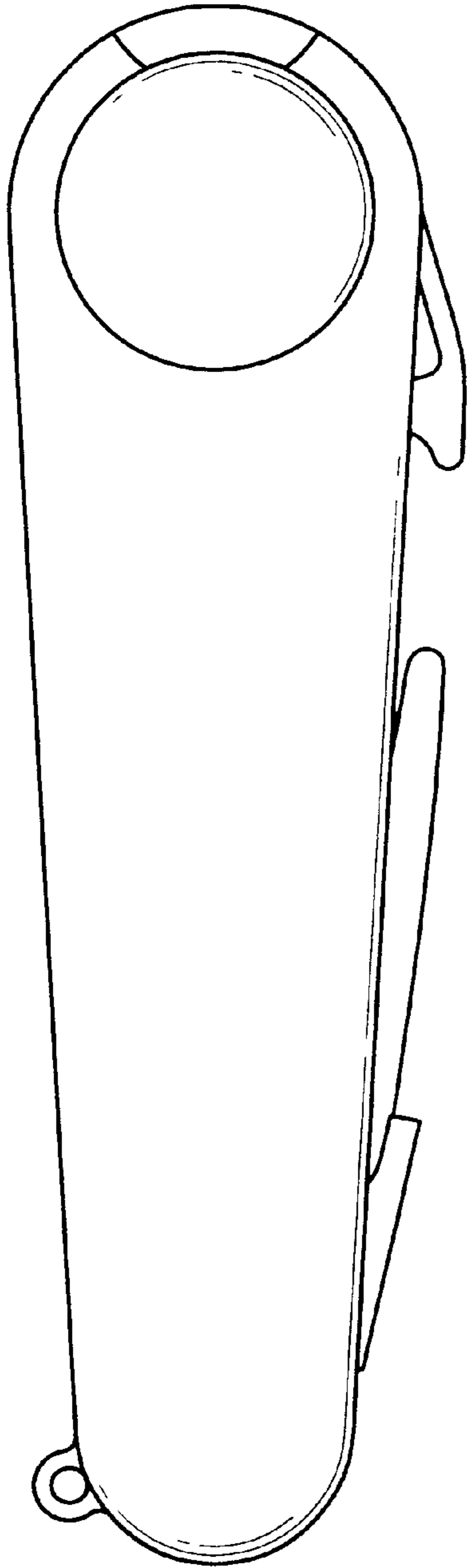


Fig. 3

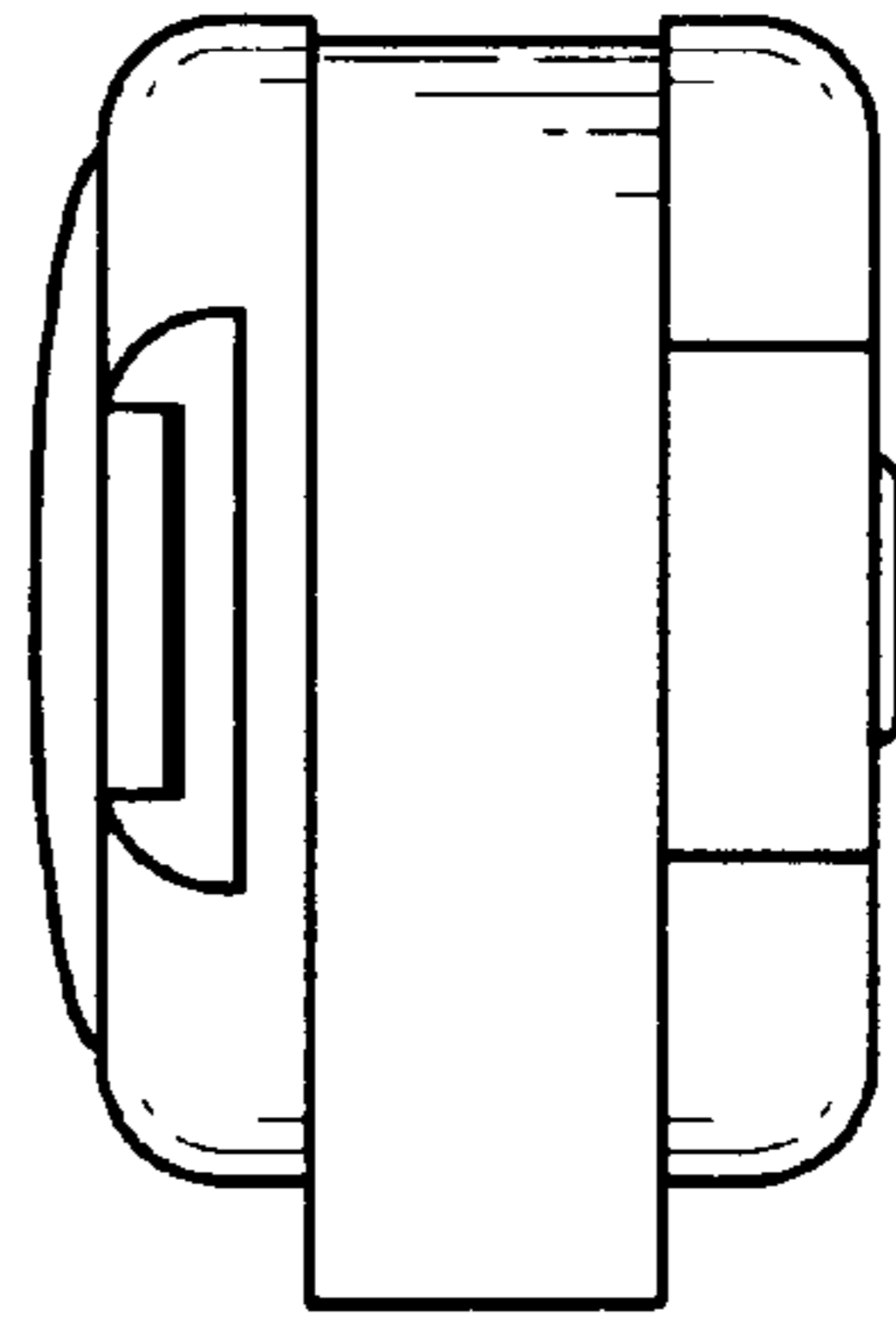


Fig. 2

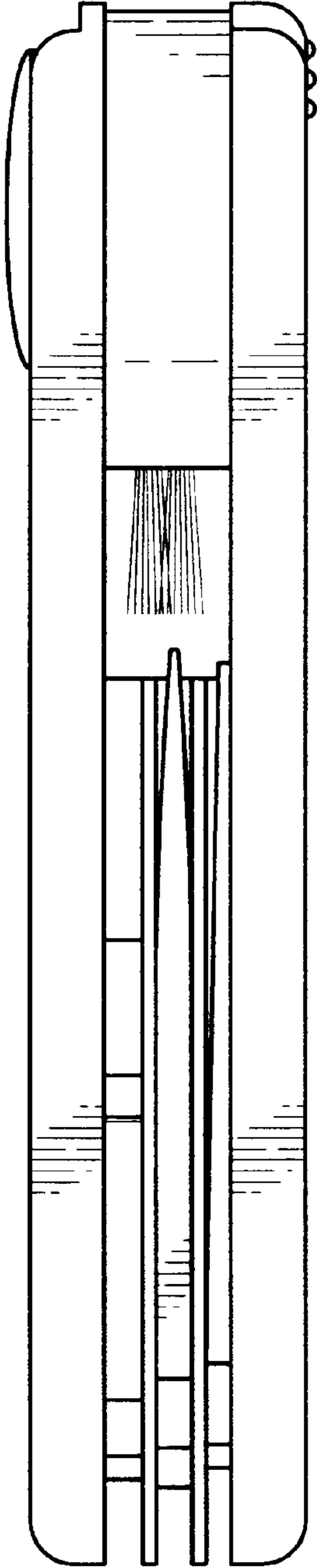


Fig. 4

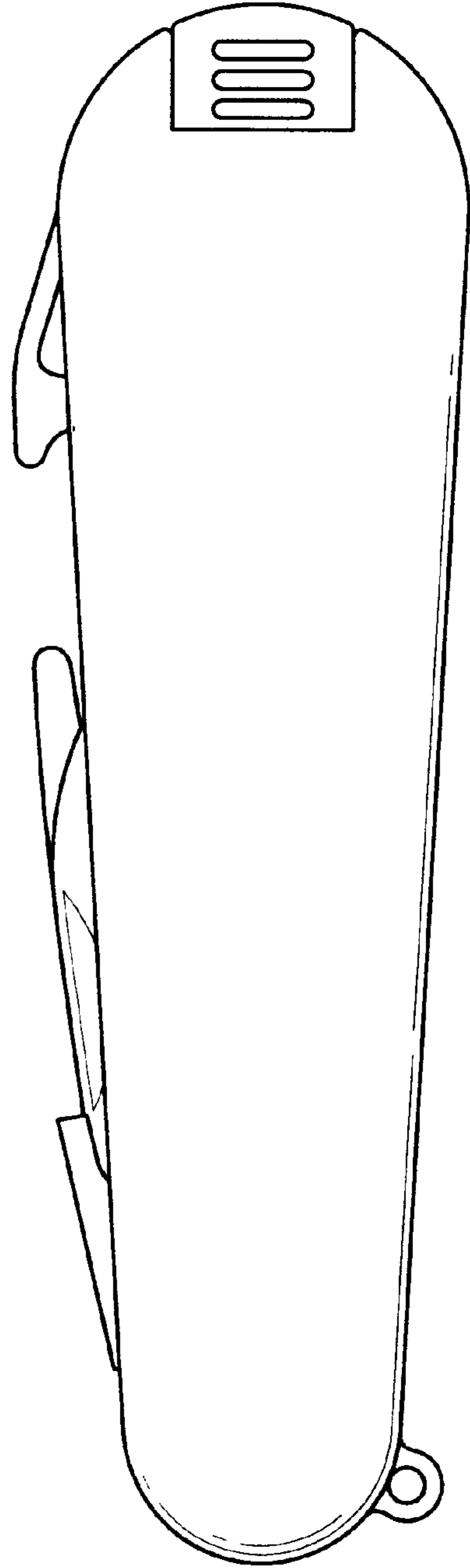


Fig. 5

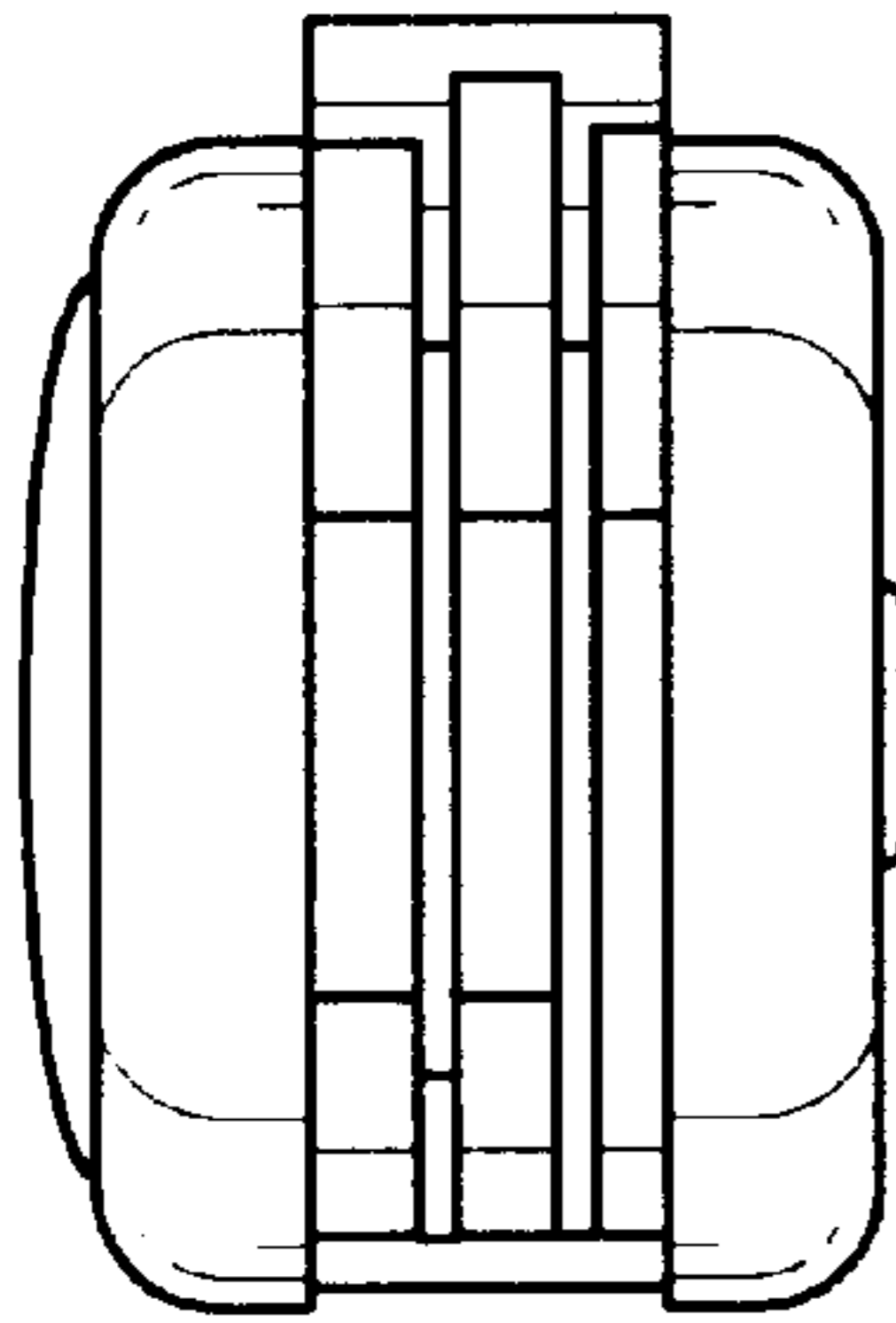


Fig. 6

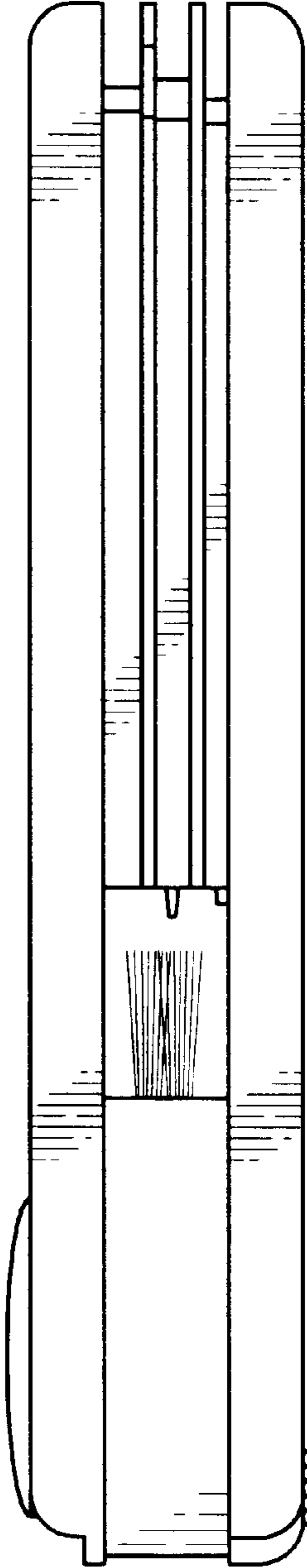


Fig. 7