



US00D462001S

(12) **United States Design Patent**  
**Bohart et al.**

(10) **Patent No.:** **US D462,001 S**

(45) **Date of Patent:** **\*\* Aug. 27, 2002**

(54) **SCREW DRIVING TOOL**

(75) Inventors: **Gary M. Bohart**, Madeira; **Jerome E. Reckelhoff**, Cincinnati; **Christopher Roth**, Sycamore Township, all of OH (US); **Paul King**, Newbury Park, CA (US)

(73) Assignee: **Senco Products, Inc.**, Cincinnati, OH (US)

(\*\*) Term: **14 Years**

(21) Appl. No.: **29/138,358**

(22) Filed: **Mar. 12, 2001**

(51) **LOC (7) Cl.** ..... **08-04**

(52) **U.S. Cl.** ..... **D8/68**

(58) **Field of Search** ..... D8/61, 62, 63, D8/64, 65, 66, 67, 68, 69, 70; 30/123.3; 81/54, 57.11, 57.42; 173/48, 109, 170; 227/2, 8, 10, 111, 112, 113, 114, 115, 116, 120, 123, 130, 131, 136, 142, 151; 451/451, 356

(56) **References Cited**

**U.S. PATENT DOCUMENTS**

D358,749 S	*	5/1995	Matsunaga et al.	.....	D8/69
D368,216 S	*	3/1996	Hattori	.....	D8/61
5,715,982 A	*	2/1998	Adachi	.....	227/8
5,772,096 A	*	6/1998	Osuka et al.	.....	227/2
5,810,239 A	*	9/1998	Stich	.....	227/123
5,988,026 A	*	11/1999	Reckelhoff et al.	.....	227/136

6,016,946 A	*	1/2000	Phillips et al.	.....	227/8
D420,877 S	*	2/2000	Schultz	.....	D8/68
D420,879 S	*	2/2000	Watson et al.	.....	D8/70
6,045,024 A	*	4/2000	Phillips	.....	227/130
6,158,643 A	*	12/2000	Phillips	.....	227/8
D436,511 S	*	1/2001	Hayakawa	.....	D8/68
6,179,192 B1	*	1/2001	Weinger et al.	.....	227/8
D438,079 S	*	2/2001	Hattori	.....	D8/69

**OTHER PUBLICATIONS**

Trend-Lines Catalogue 517C, Makita Autofeed Screwdriver, various models, p. 13.\*

\* cited by examiner

*Primary Examiner*—Doris V. Coles

*Assistant Examiner*—T. Chase Nelson

(74) *Attorney, Agent, or Firm*—Frost Brown Todd LLC

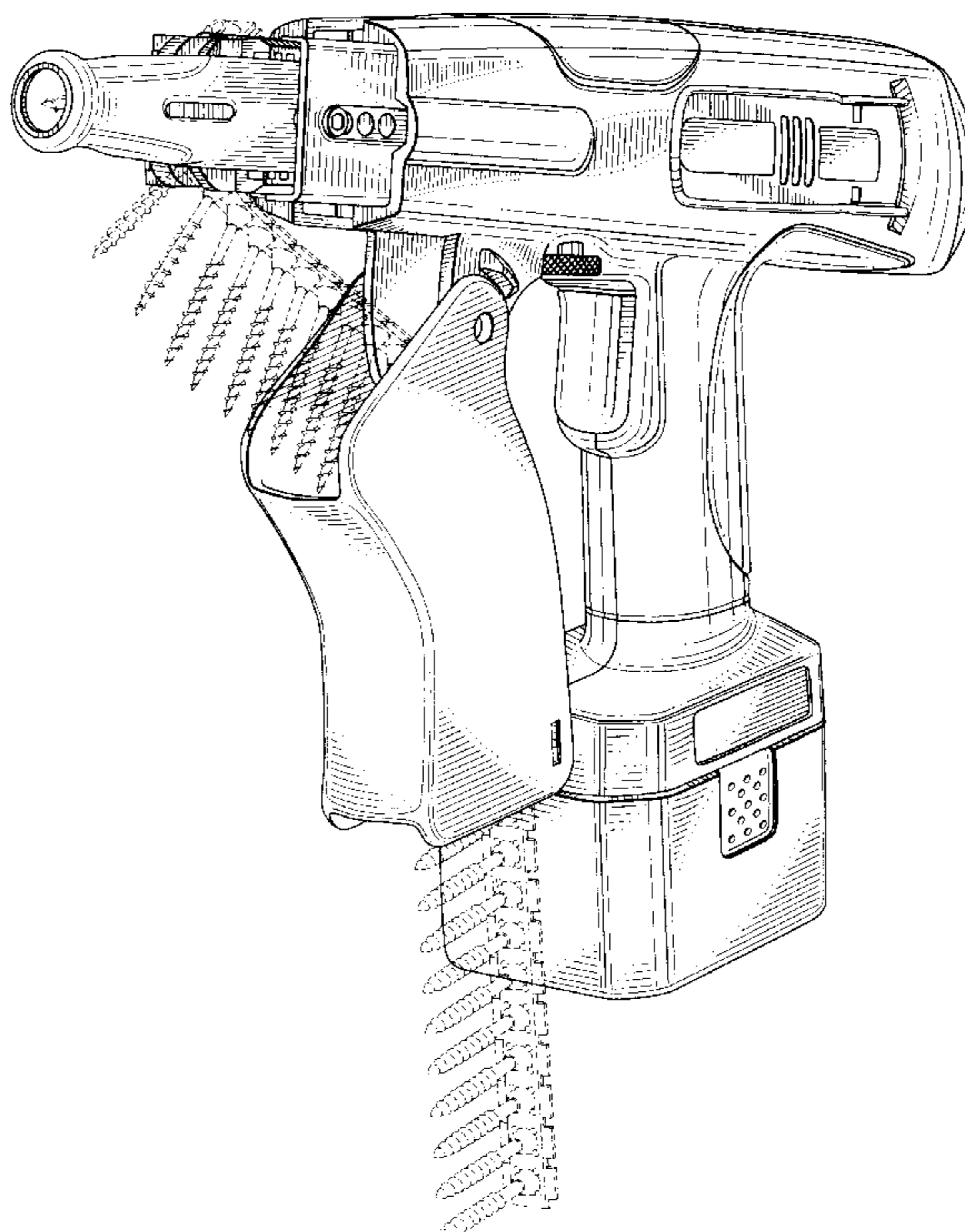
(57) **CLAIM**

The ornamental design for a screw driving tool, as shown and described.

**DESCRIPTION**

FIG. 1 is a front perspective view of the screwdriving tool of the present invention looking at the front and left side; FIG. 2 is a front elevational view thereof; FIG. 3 is a rear elevational view thereof; FIG. 4 is a right side elevational view thereof; FIG. 5 is a left side elevational view thereof; FIG. 6 is a top plan view thereof; and, FIG. 7 is a bottom plan view thereof.

**1 Claim, 5 Drawing Sheets**



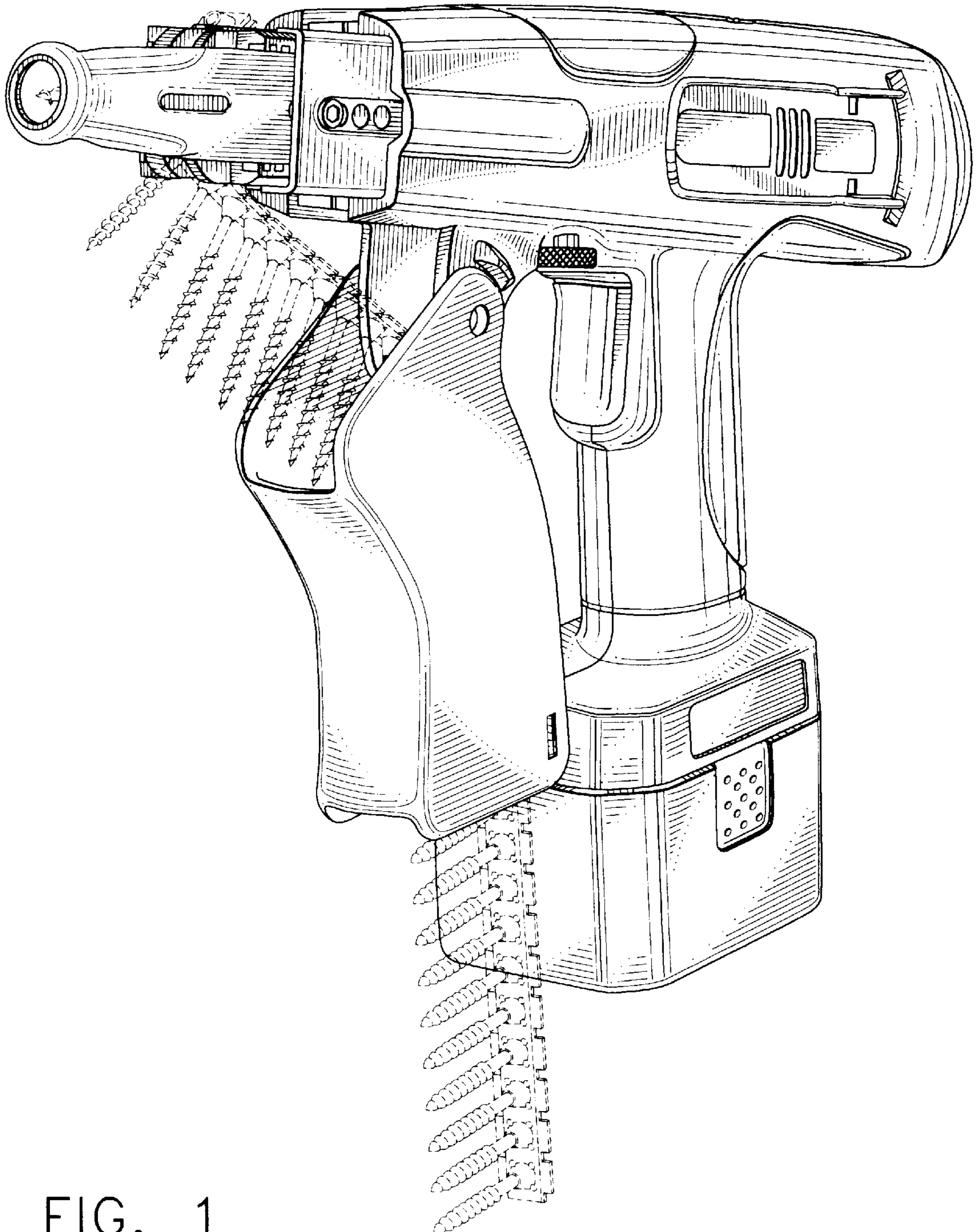


FIG. 1

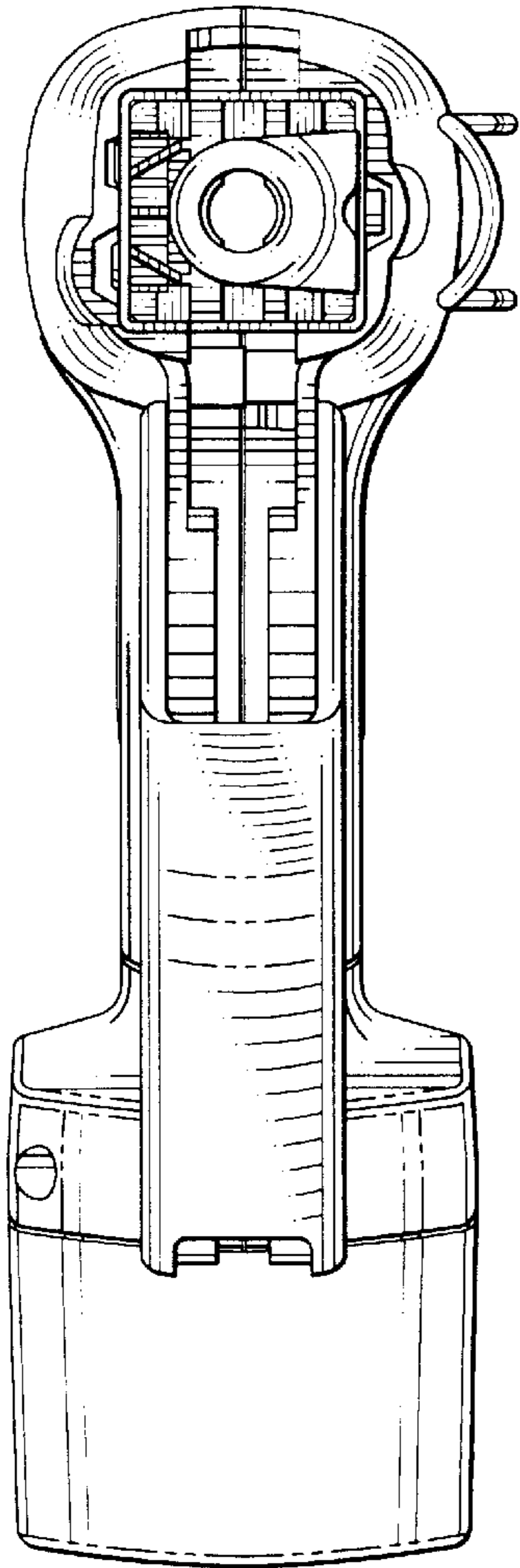


FIG. 2

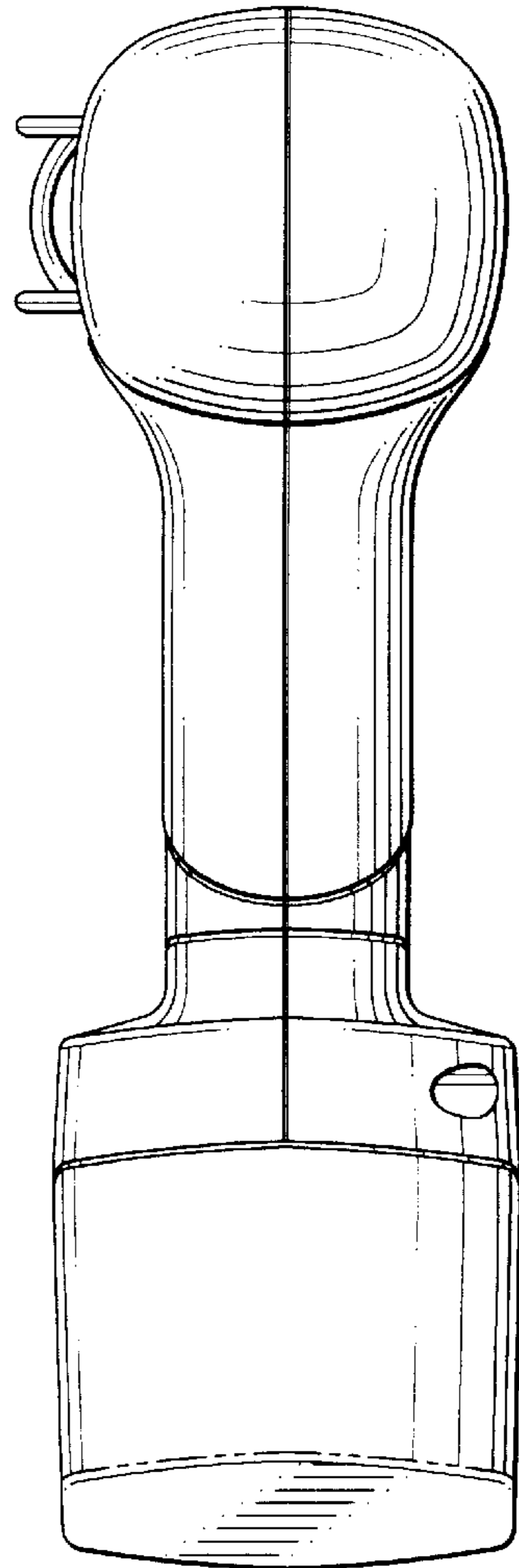


FIG. 3

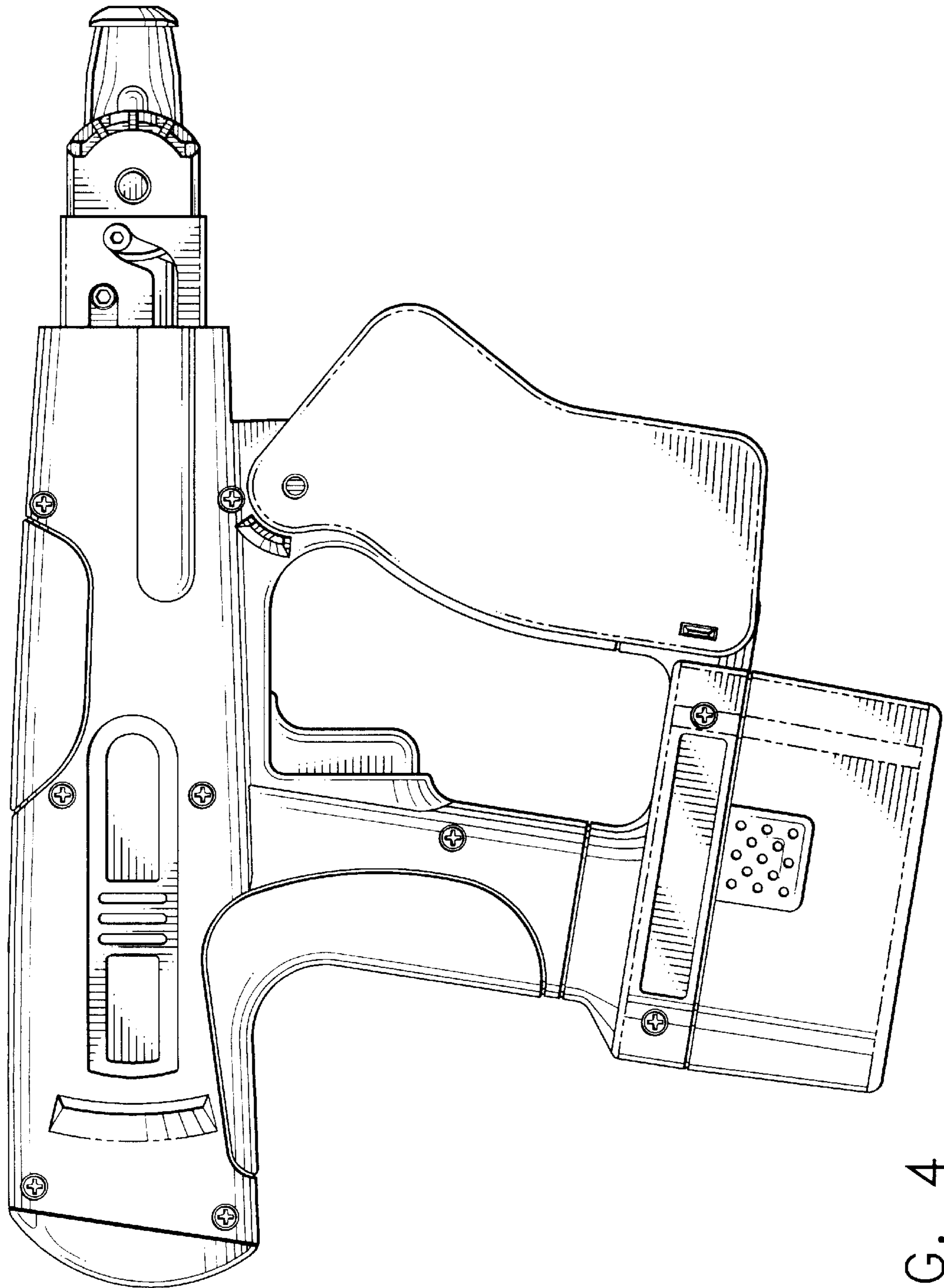


FIG. 4

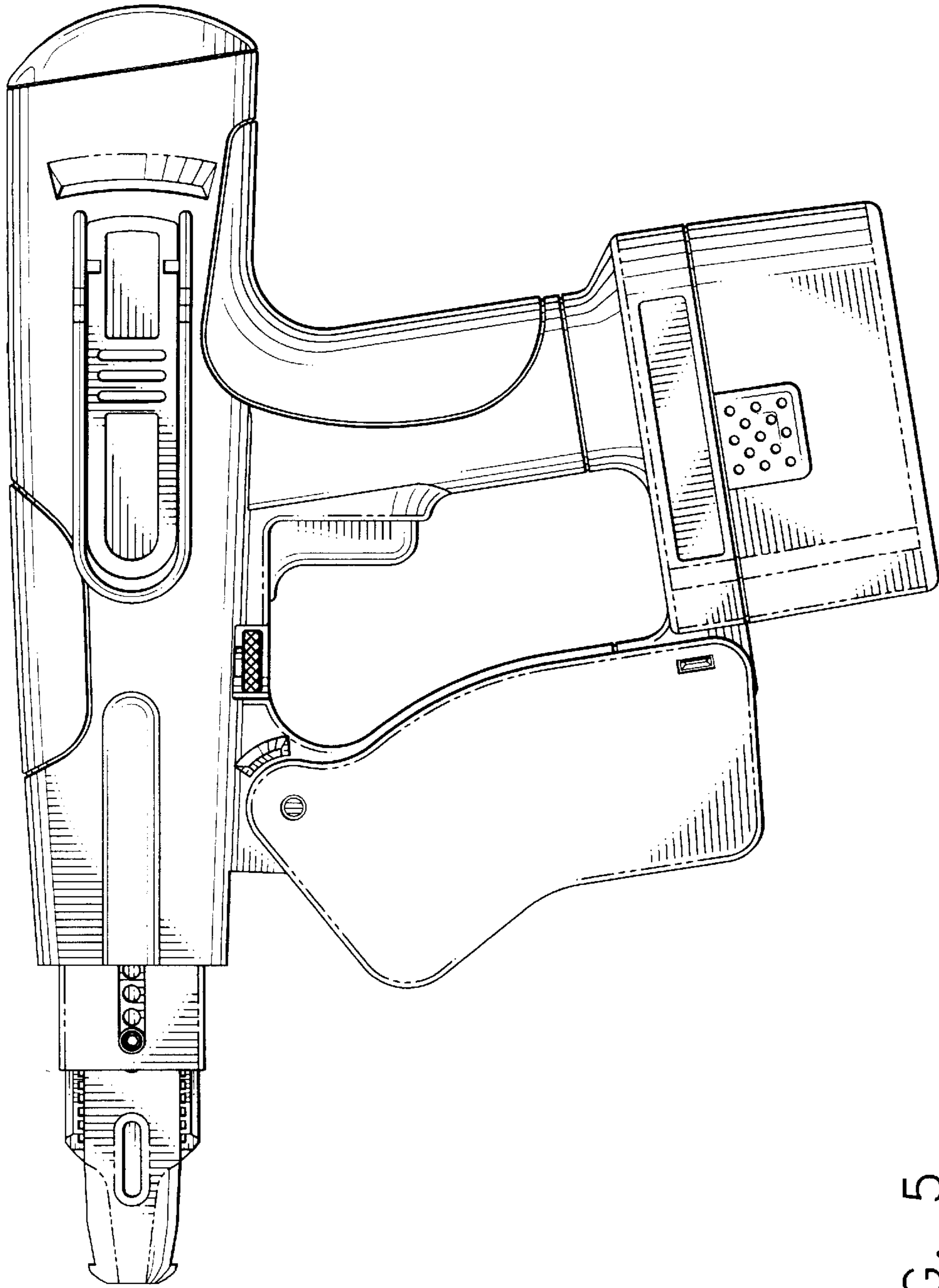


FIG. 5

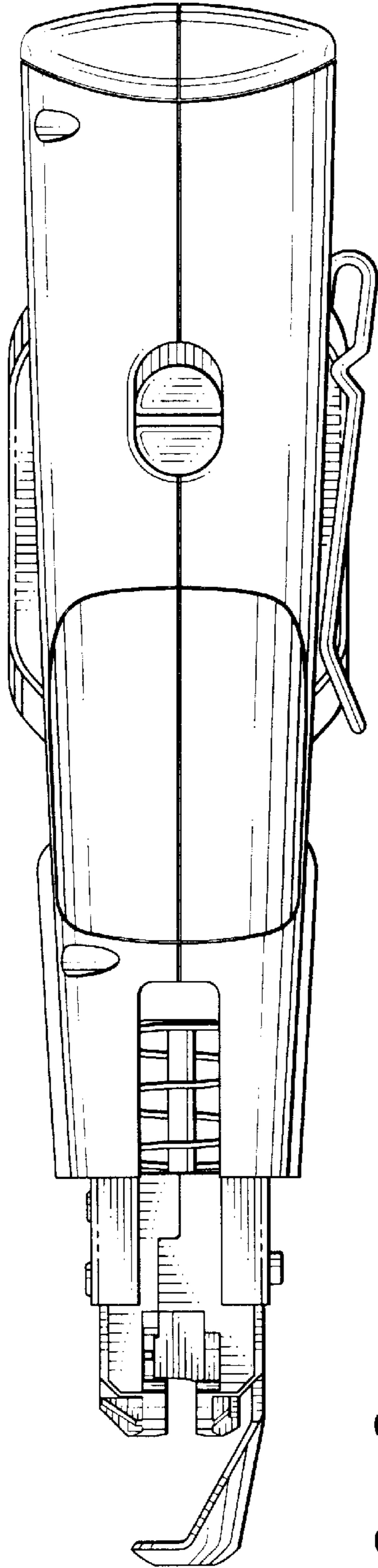


FIG. 6

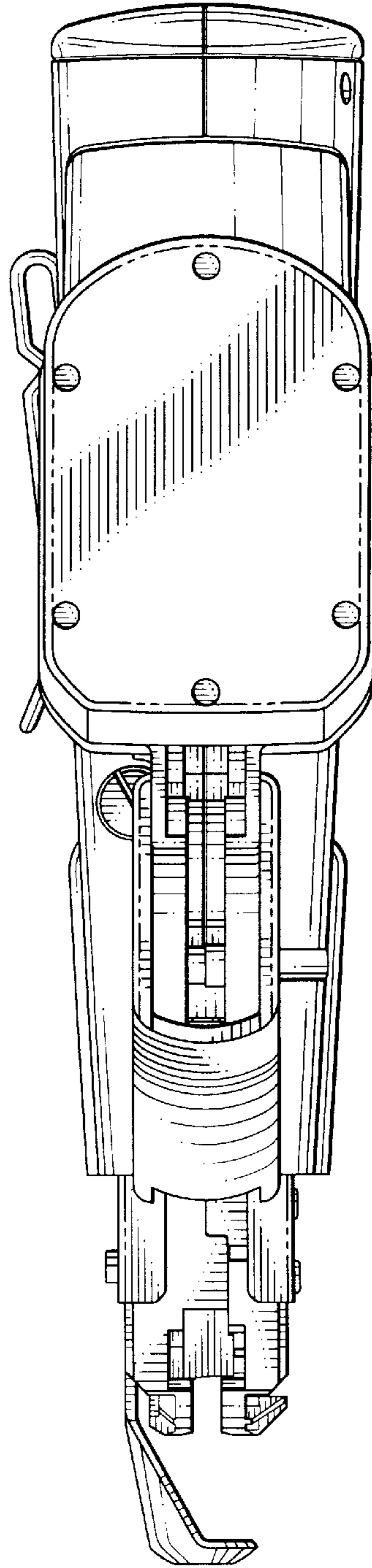


FIG. 7