



US00D462000S

(12) **United States Design Patent**
Hightower

(10) **Patent No.:** **US D462,000 S**

(45) **Date of Patent:** **** Aug. 27, 2002**

(54) **BOTTLE CAP OPENER**

(76) **Inventor:** **Victoria K. Hightower**, 201 Skylane Rd., St. Simons, GA (US) 31522

(**) **Term:** **14 Years**

(21) **Appl. No.:** **29/147,737**

(22) **Filed:** **Sep. 4, 2001**

(51) **LOC (7) Cl.** **07-99**

(52) **U.S. Cl.** **D8/40**

(58) **Field of Search** D8/33-43, 18,
D8/19; 30/400-433, 1.5; 81/3.07-3.49;
7/151-156

(56) **References Cited**

U.S. PATENT DOCUMENTS

D42,070 S	*	12/1911	Vaughan	D8/18
1,899,203 A	*	2/1933	Labreche	7/151
2,041,391 A	*	5/1936	Bauch	81/3.15 X
D228,224 S	*	8/1973	Schlanger	D8/18
D266,479 S	*	10/1982	Hayakawa	D8/17
D277,725 S	*	2/1985	Silkebakken et al.	D8/40
D278,024 S	*	3/1985	Hoffman et al.	D8/40
D278,950 S	*	5/1985	Vaughan	D3/208
D287,093 S	*	12/1986	Ryan	D8/34
4,633,740 A	*	1/1987	Jacobs	81/3.09
4,829,618 A	*	5/1989	McKee	7/151
4,846,024 A	*	7/1989	Bryant et al.	81/3.09

D303,345 S	*	9/1989	Sawatsky et al.	D8/40
D307,225 S	*	4/1990	Freidenfelds	D7/619
D311,668 S	*	10/1990	Bryant et al.	D8/40
4,967,622 A	*	11/1990	Phillips	81/3.09
5,090,277 A	*	2/1992	Spiller	81/3.55
D325,499 S	*	4/1992	Wilder	D8/33
D335,432 S	*	5/1993	Vaughan	D8/34
D440,134 S	*	4/2001	Brix-Hansen	D8/33

* cited by examiner

Primary Examiner—Jeffrey Asch

(74) *Attorney, Agent, or Firm*—Hinkle & O’Bradovich, LLC

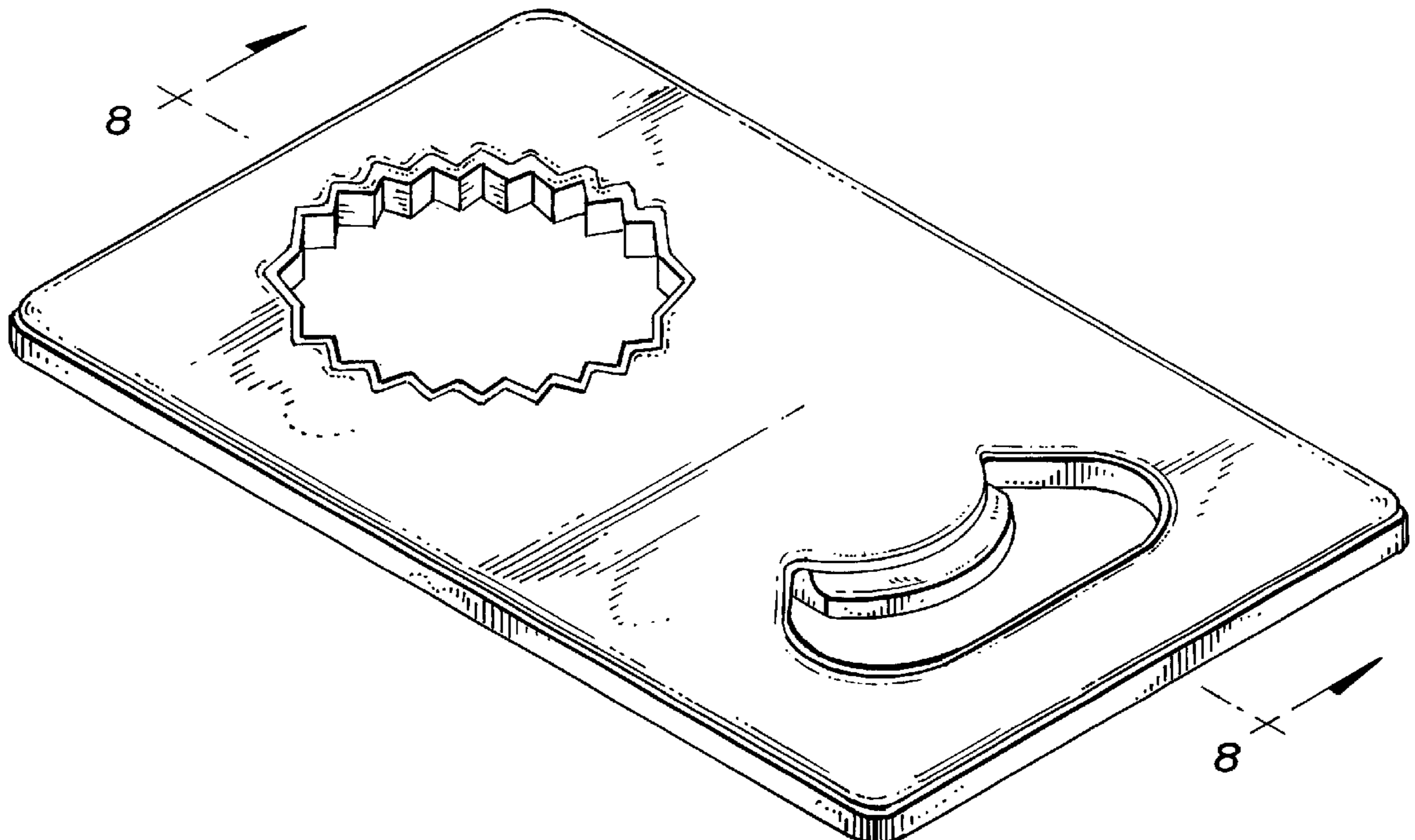
(57) **CLAIM**

The ornamental design for a bottle cap opener, as shown and described.

DESCRIPTION

FIG. 1 is a perspective view of a bottle cap opener showing my new design;
FIG. 2 is a top plan view thereof;
FIG. 3 is a bottom plan view thereof;
FIG. 4 is a right side view thereof;
FIG. 5 is a left side view thereof;
FIG. 6 is a bottom end view thereof;
FIG. 7 is a top end view thereof; and,
FIG. 8 is a sectional view taken along lines 8—8 of FIG. 1.

1 Claim, 3 Drawing Sheets



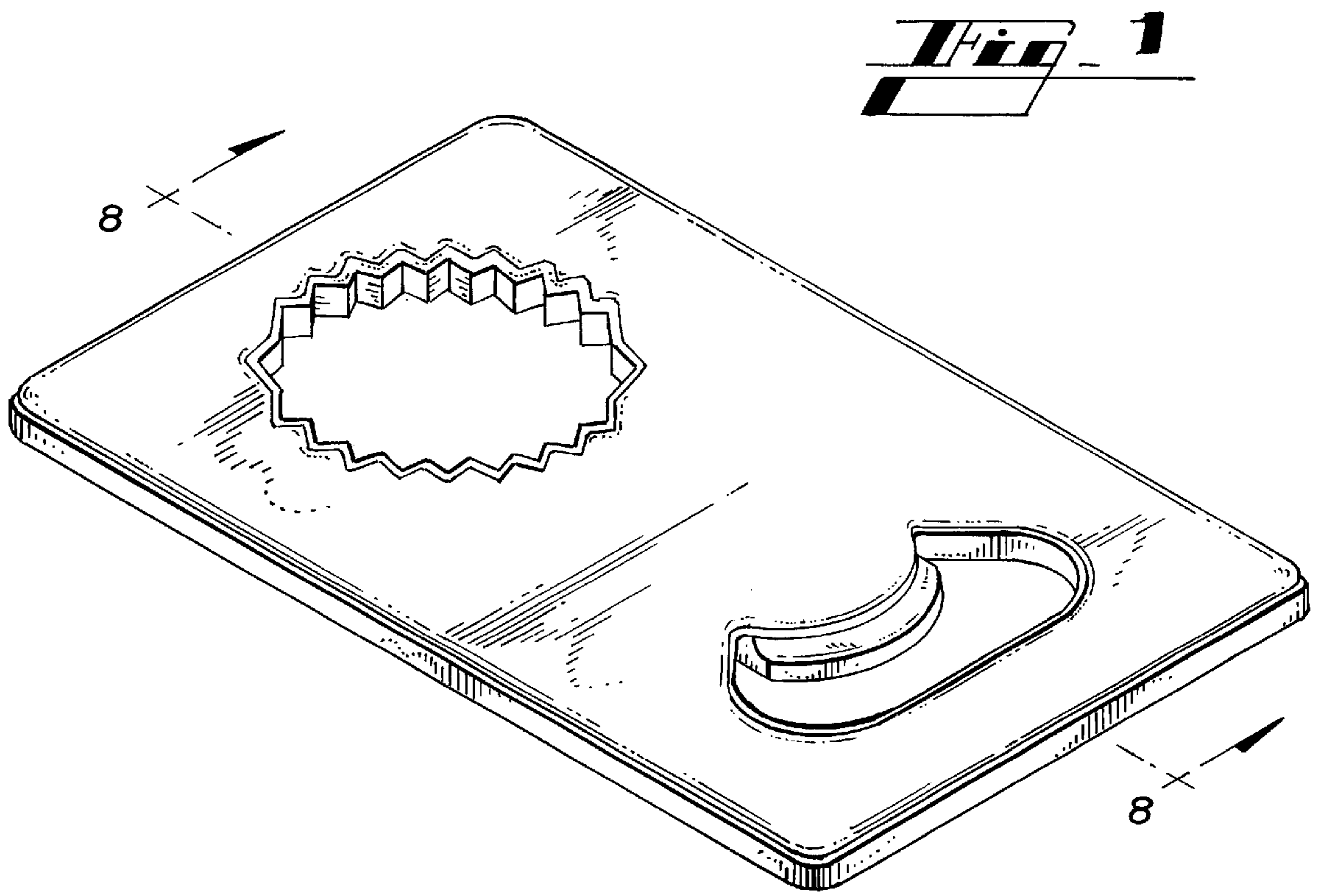


Fig. 1

Fig. 8



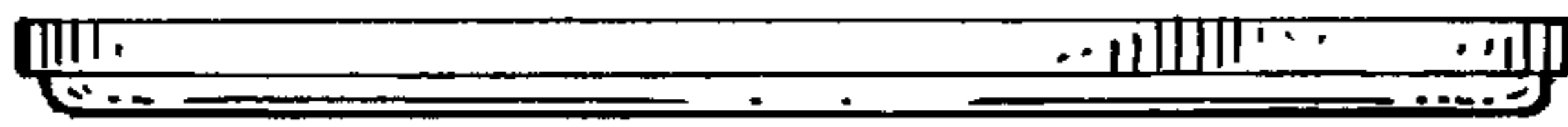


Fig. 6

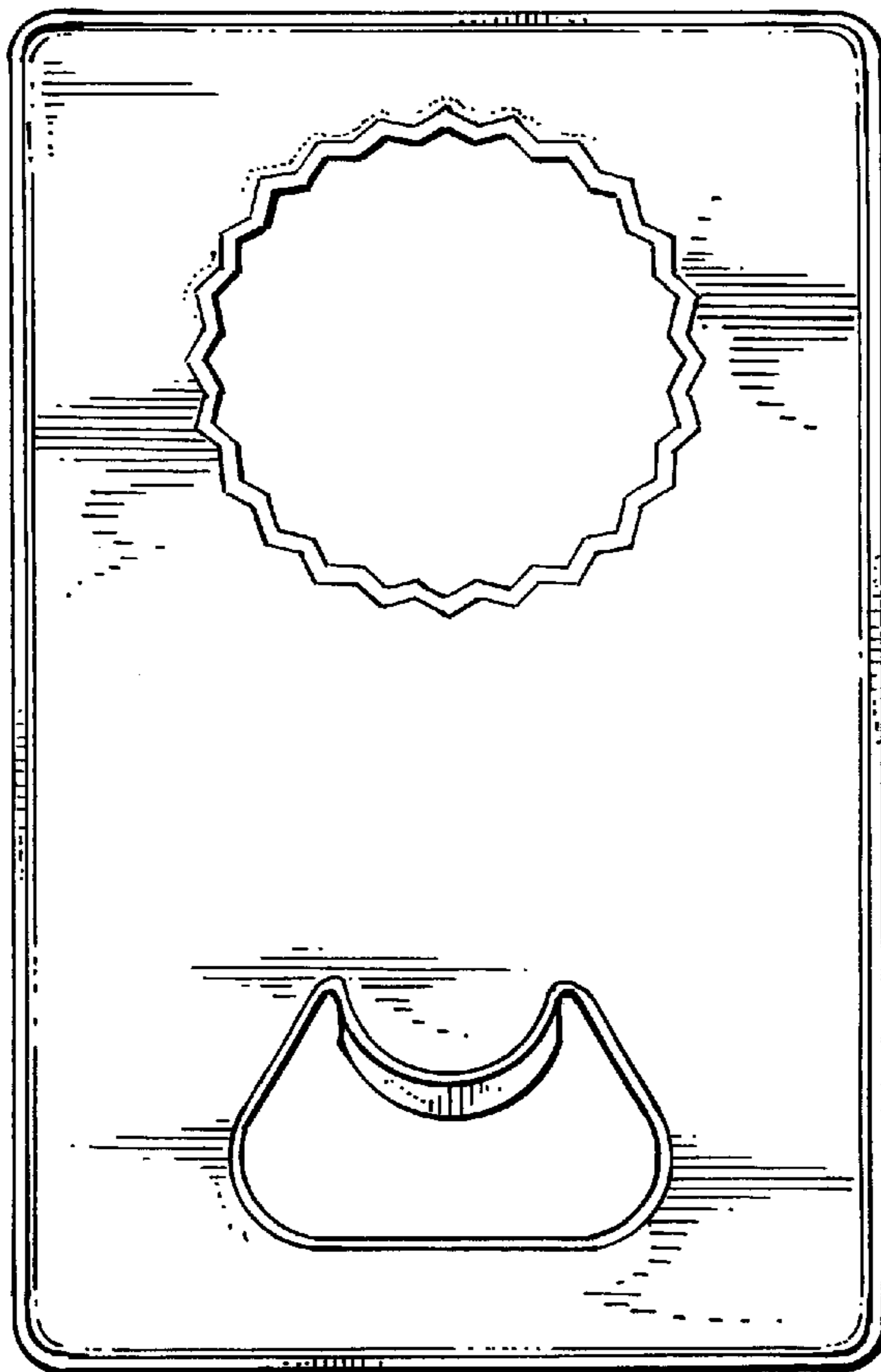


Fig. 2



Fig. 4

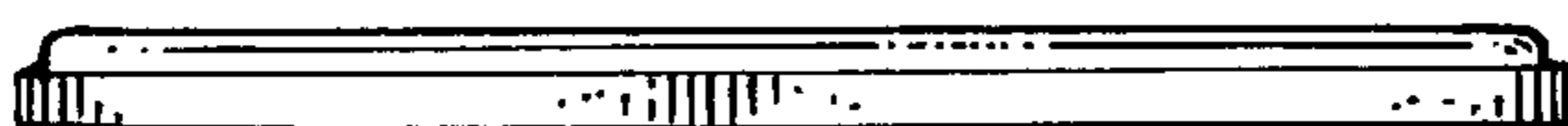


Fig. 7

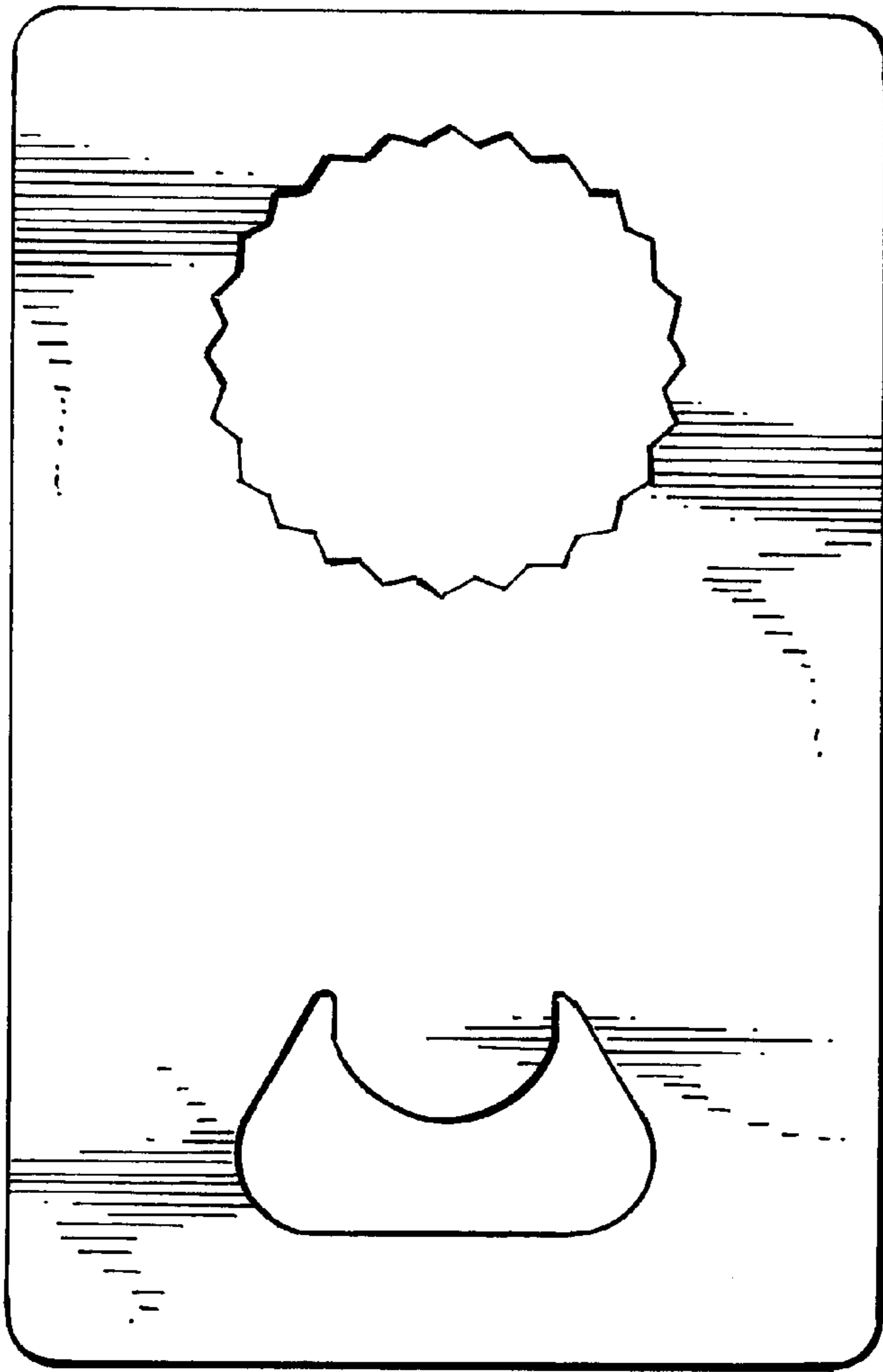


Fig. 3



Fig. 5