



US00D461996S

(12) **United States Design Patent**  
**Liao**

(10) **Patent No.:** **US D461,996 S**

(45) **Date of Patent:** **\*\* Aug. 27, 2002**

(54) **DRINK CADDY**

D383,348 S \* 9/1997 Frankel ..... D6/563  
D409,135 S \* 5/1999 Davis ..... D12/420

(75) Inventor: **Gordon Liao, Yung Kang (TW)**

\* cited by examiner

(73) Assignee: **Unique Product & Design Co., Ltd.,  
Tainan Hsien (TW)**

*Primary Examiner*—Terry A. Wallace

(\*\*) Term: **14 Years**

(74) *Attorney, Agent, or Firm*—Pro-Techtor International  
Services

(21) Appl. No.: **29/147,071**

(57) **CLAIM**

(22) Filed: **Aug. 21, 2001**

The ornamental design for a drink caddy, as shown and  
described.

(51) **LOC (7) Cl.** ..... **07-06**

**DESCRIPTION**

(52) **U.S. Cl.** ..... **D7/620**

(58) **Field of Search** ..... D7/619, 620, 623,  
D7/625; D6/535; D12/420; D21/703; 211/74,  
75, 71.01; 220/737, 741; 248/309.1, 309.3,  
311.2, 206.2

FIG. 1 is a perspective view of a drink caddy showing my  
new design;

FIG. 2 is a right side elevational view thereof;

FIG. 3 is a top plan view thereof;

FIG. 4 is a front elevational view thereof;

FIG. 5 is a bottom plan view thereof;

FIG. 6 is a left side elevational view thereof; and,

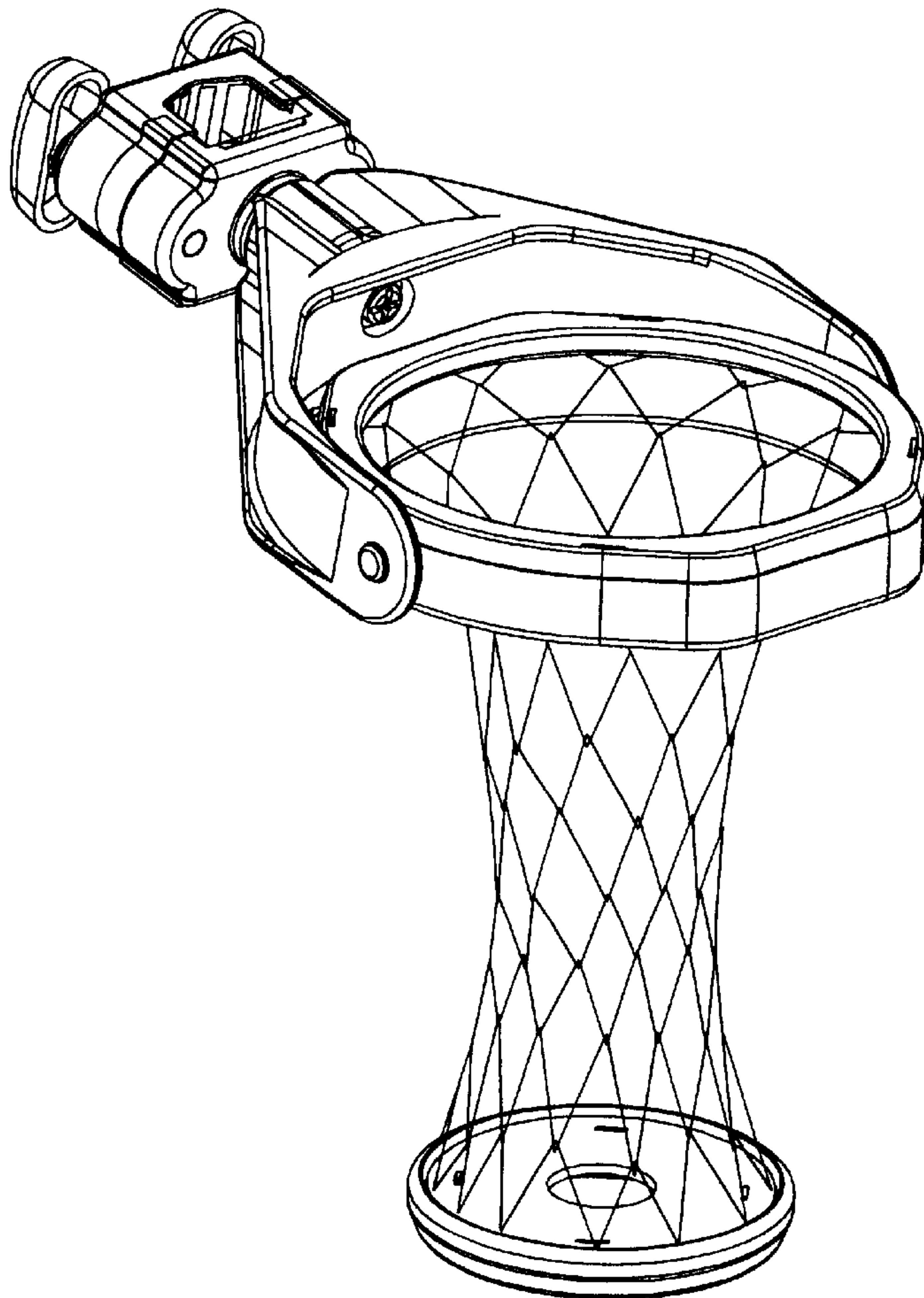
FIG. 7 is a rear elevational view.

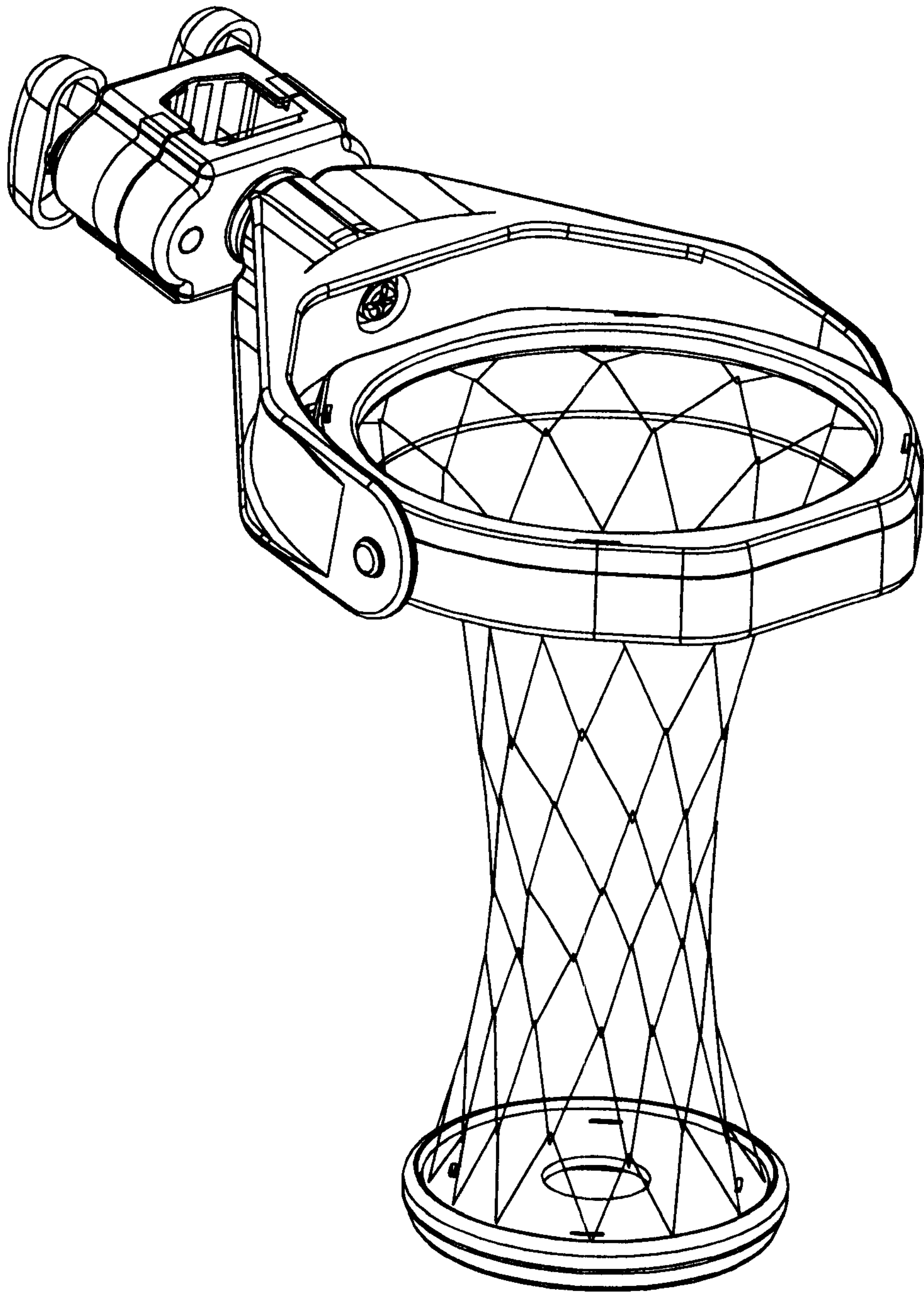
(56) **References Cited**

**U.S. PATENT DOCUMENTS**

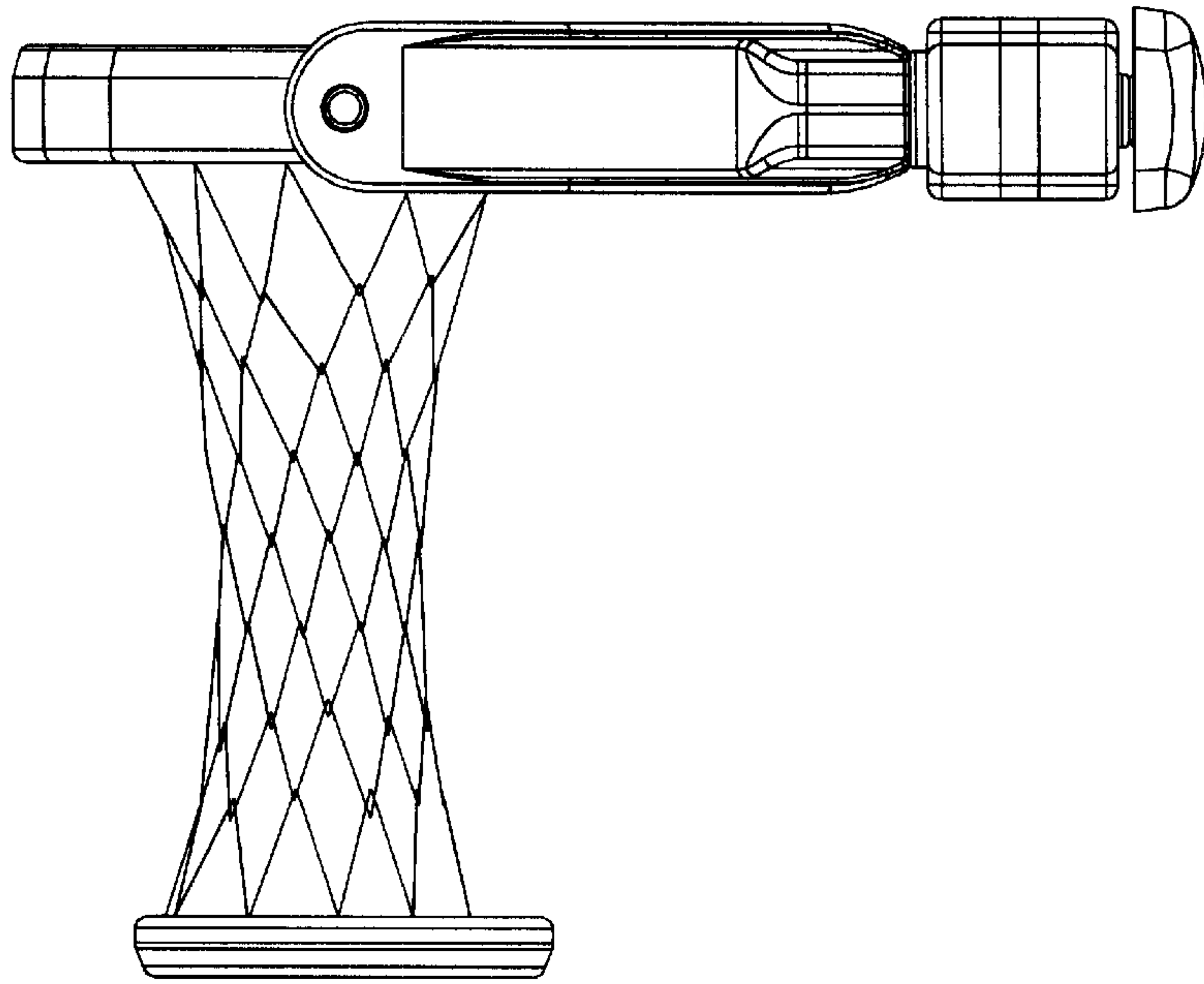
D327,981 S \* 7/1992 Speers ..... D12/420  
D337,199 S \* 7/1993 Ochs ..... D7/620 X

**1 Claim, 4 Drawing Sheets**

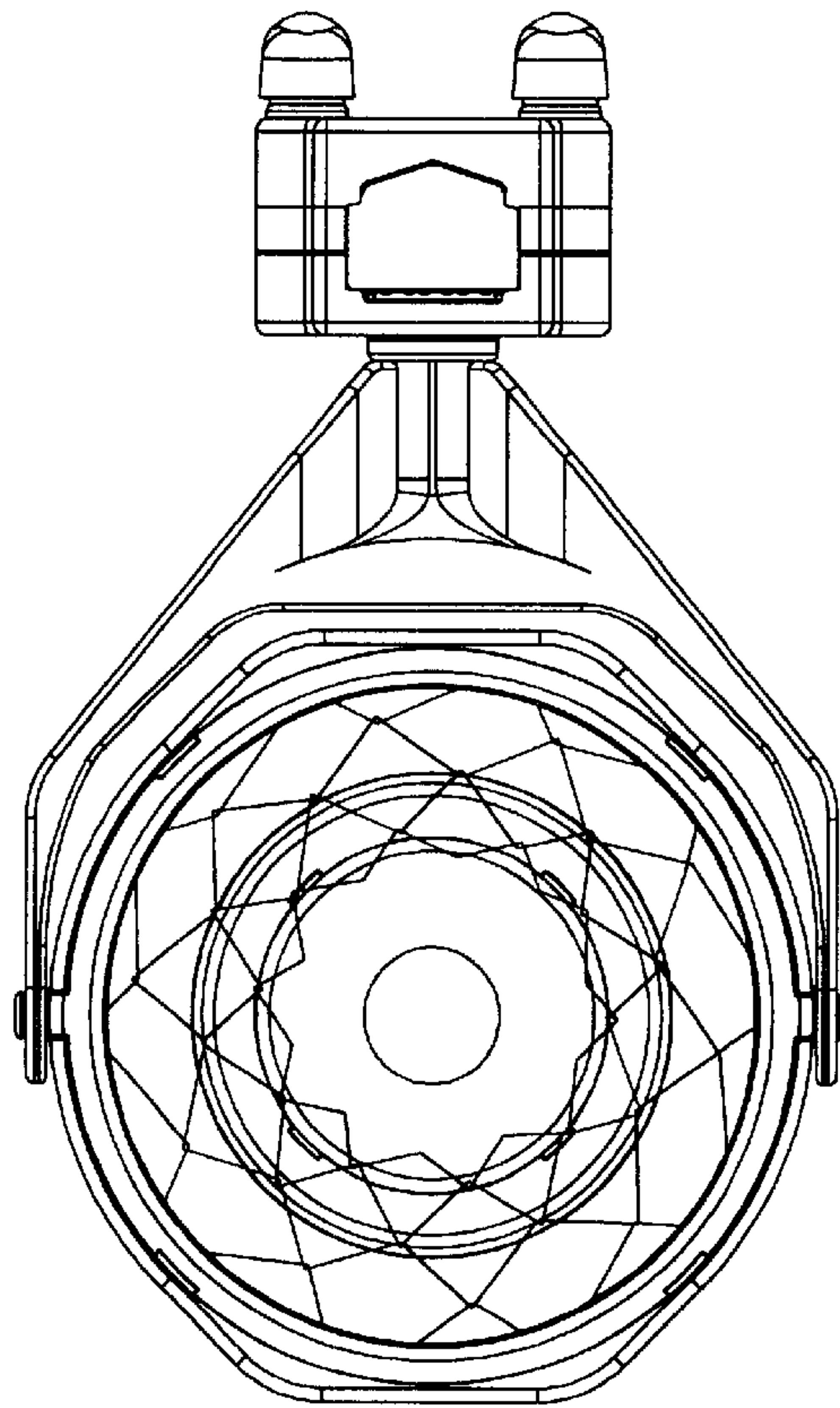




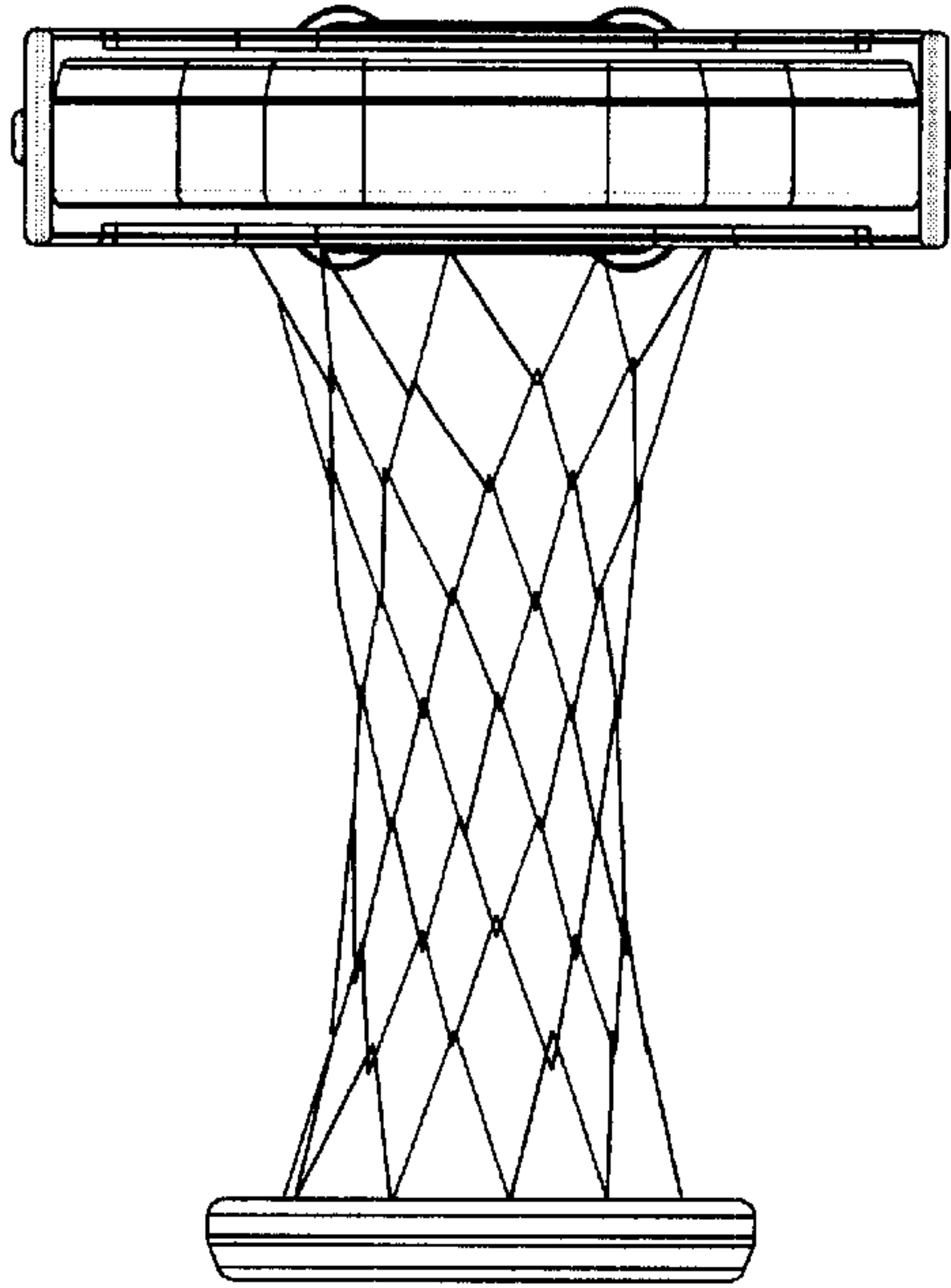
*FIG. 1*



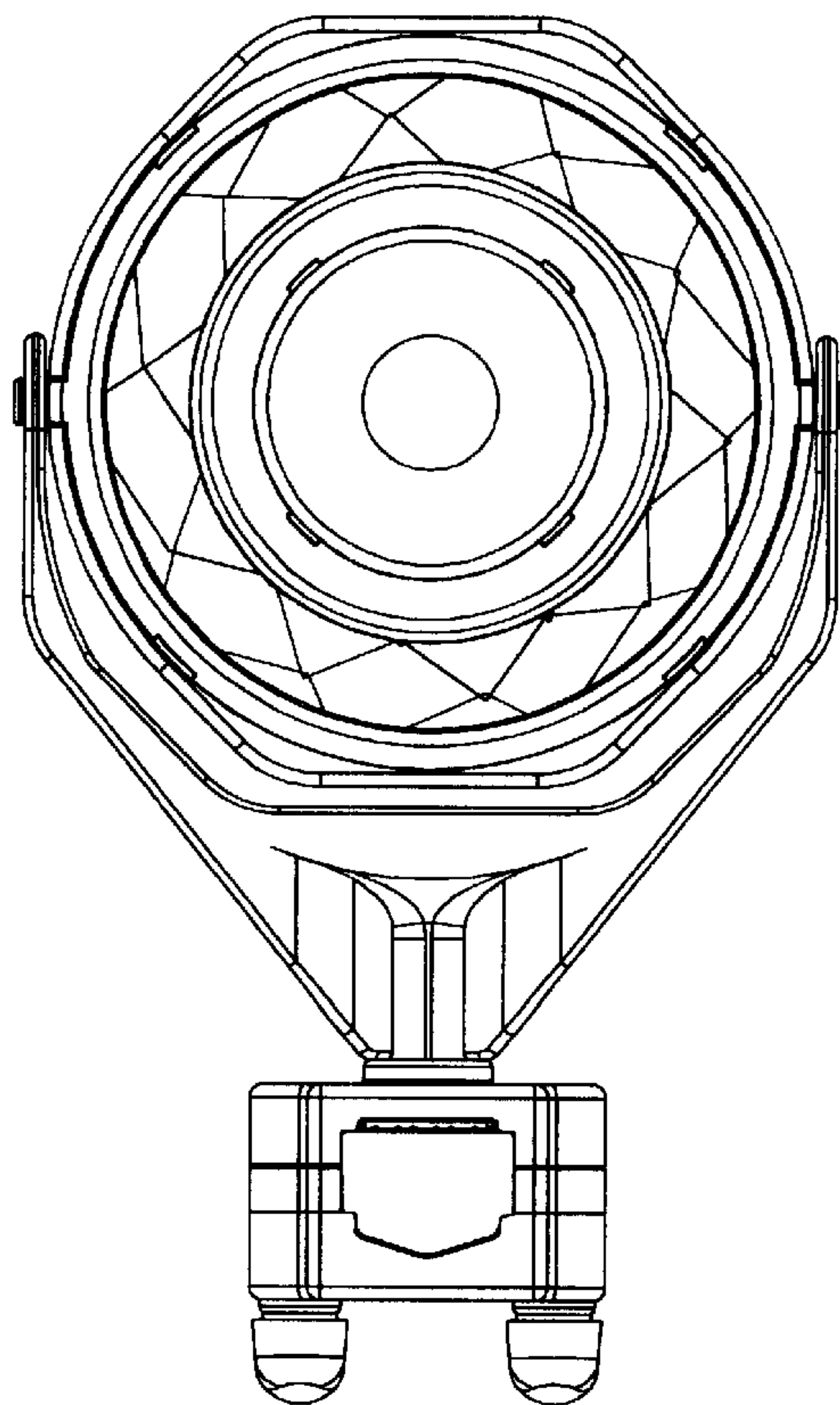
*FIG. 2*



*FIG. 3*

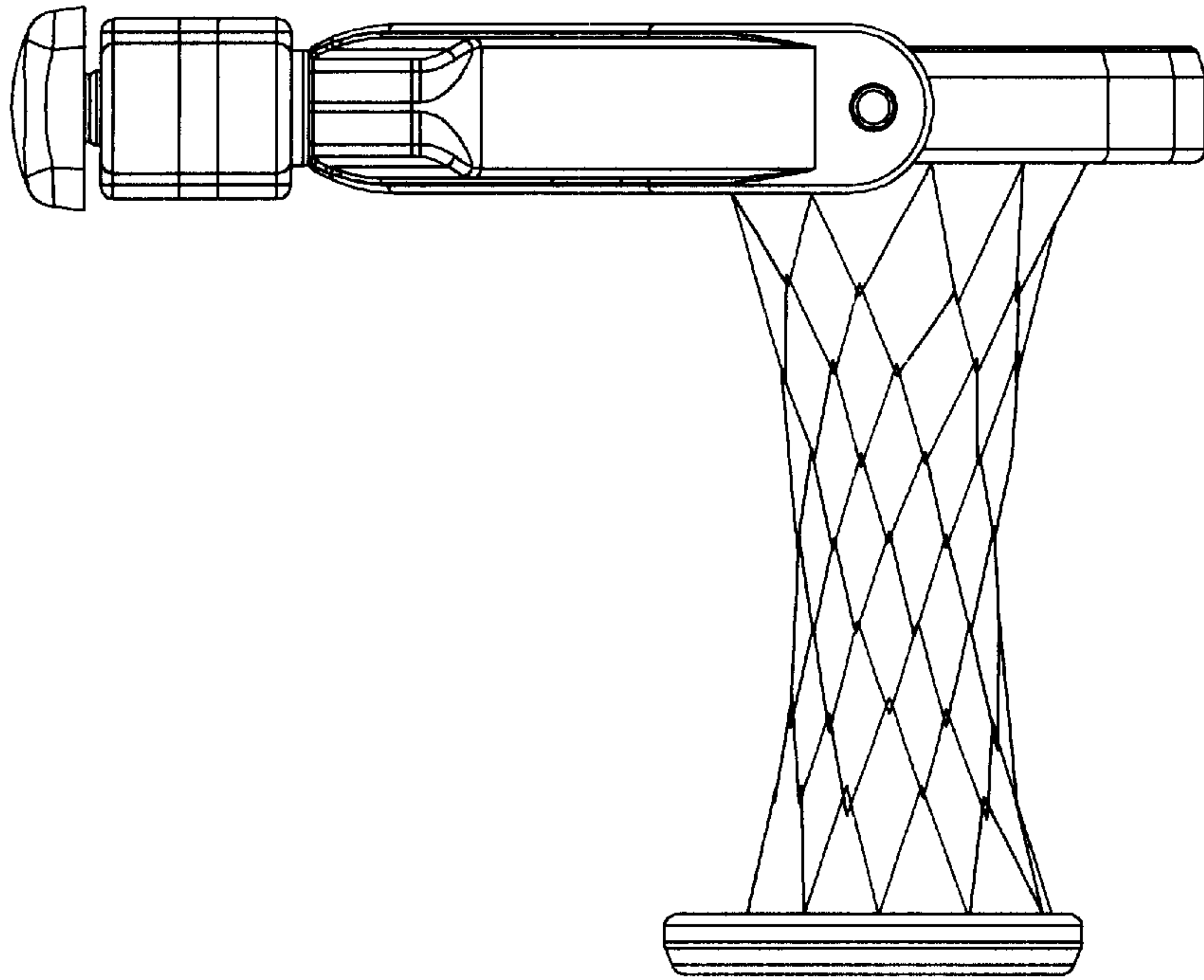


*FIG. 4*

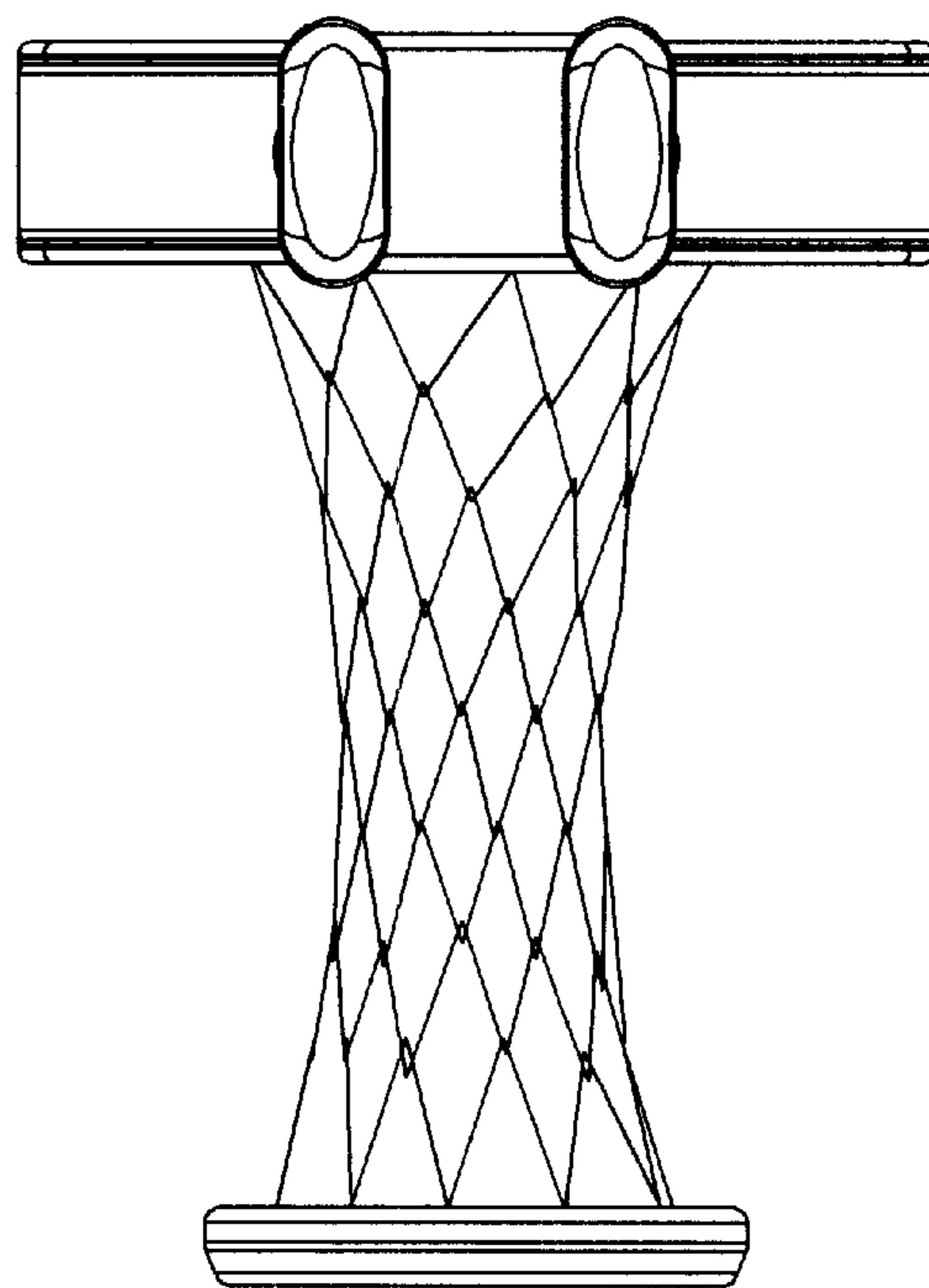


*FIG. 5*





*FIG. 6*



*FIG. 7*