



US00D461993S

(12) **United States Design Patent**  
**Coudurier**

(10) **Patent No.:** **US D461,993 S**

(45) **Date of Patent:** **\*\* Aug. 27, 2002**

(54) **KNOB FOR RAISING THE COVER OF A COOKING VESSEL**

D365,964 S \* 1/1996 Gebhardt ..... D7/393  
5,771,783 A \* 6/1998 Uss ..... 16/433 X  
D414,651 S \* 10/1999 Brunianyn ..... D7/391

(75) Inventor: **Olivier Coudurier**, Chez Vidal (FR)

\* cited by examiner

(73) Assignee: **Tefal S.A.**, Rumilly (FR)

*Primary Examiner*—Terry A. Wallace

(\*\*) Term: **14 Years**

(74) *Attorney, Agent, or Firm*—Young & Thompson

(21) Appl. No.: **29/145,420**

(57) **CLAIM**

(22) Filed: **Jul. 24, 2001**

The ornamental design for a knob for raising the cover of a cooking vessel, as shown and described.

(30) **Foreign Application Priority Data**

**DESCRIPTION**

Jan. 24, 2001 (FR) ..... 01 0435

FIG. 1 is a top and side perspective view of a knob for raising the cover of a cooking vessel, showing my new design;

(51) **LOC (7) Cl.** ..... **07-02**

(52) **U.S. Cl.** ..... **D7/393**

FIG. 2 is a side perspective view thereof, the side opposite that shown in FIG. 2 being the mirror image thereof;  
FIG. 3 is a side elevational view thereof from the left of FIG. 2; and,

(58) **Field of Search** ..... D7/393, 354-361;  
D8/300, 307, 310, 312; 220/752, 753, 755,  
912, 573.1; 16/110.1, 441, 433

FIG. 4 is a top plan view thereof.

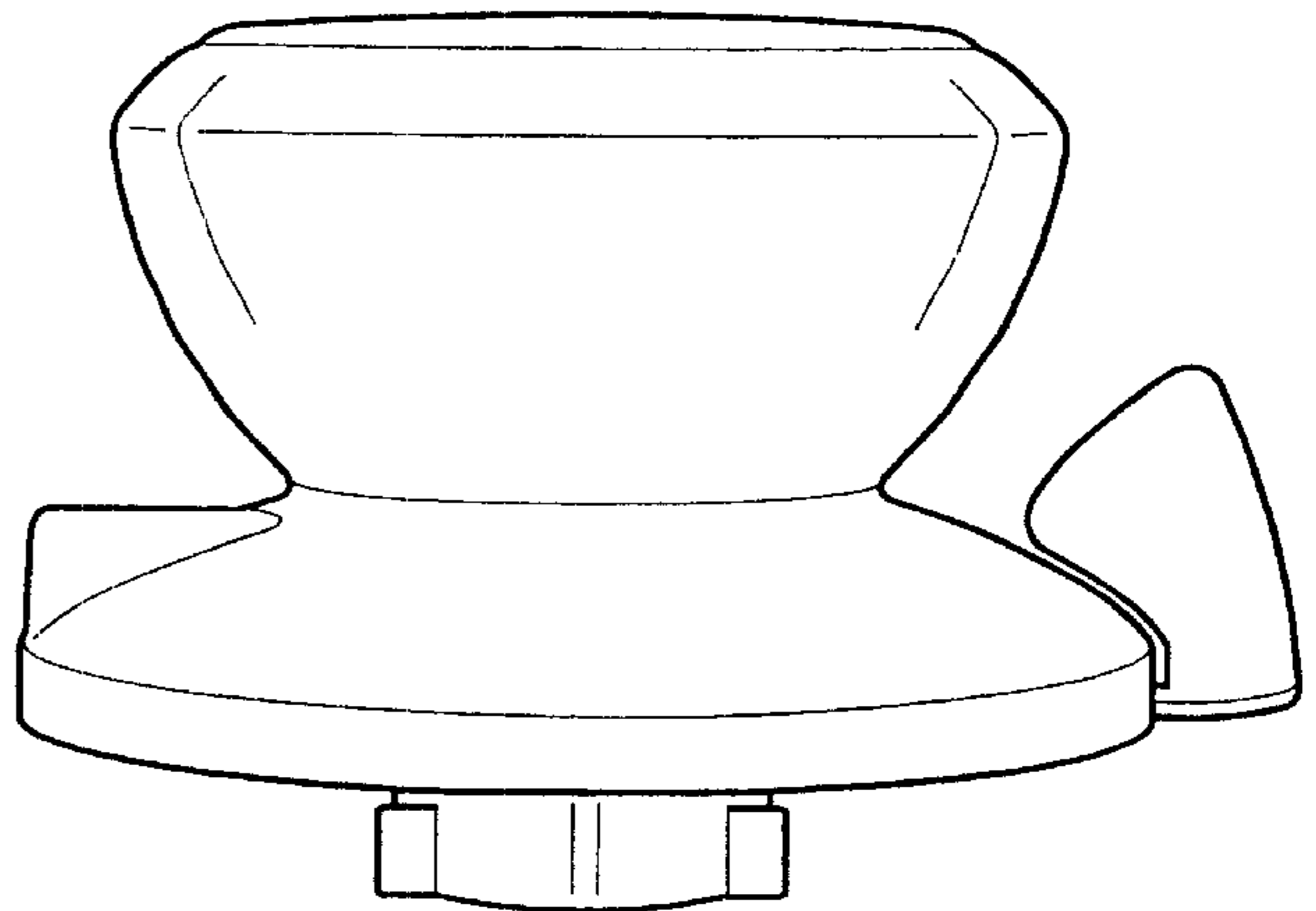
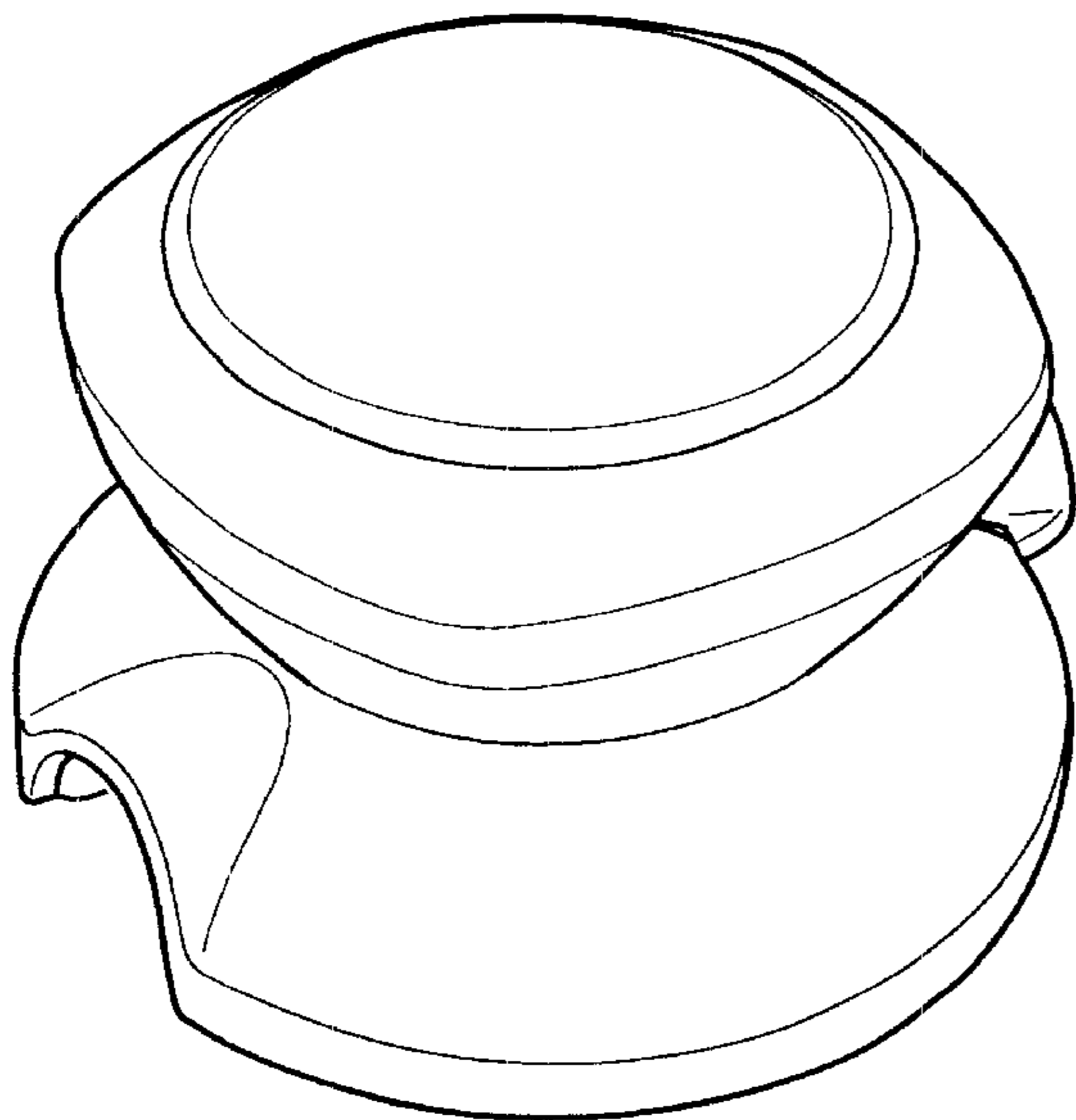
(56) **References Cited**

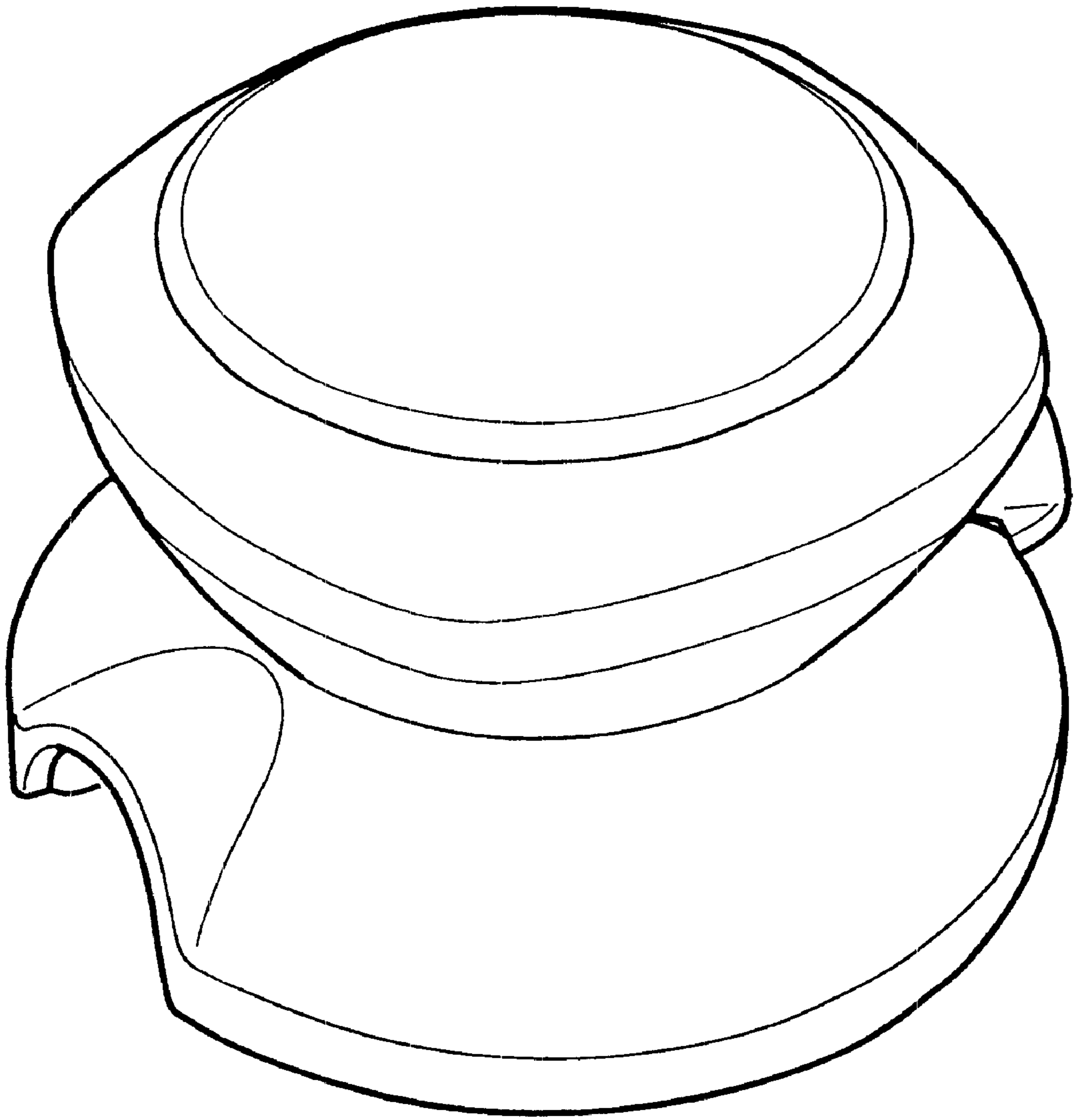
The under side is hidden in use and its appearance forms no part of the claimed design.

**U.S. PATENT DOCUMENTS**

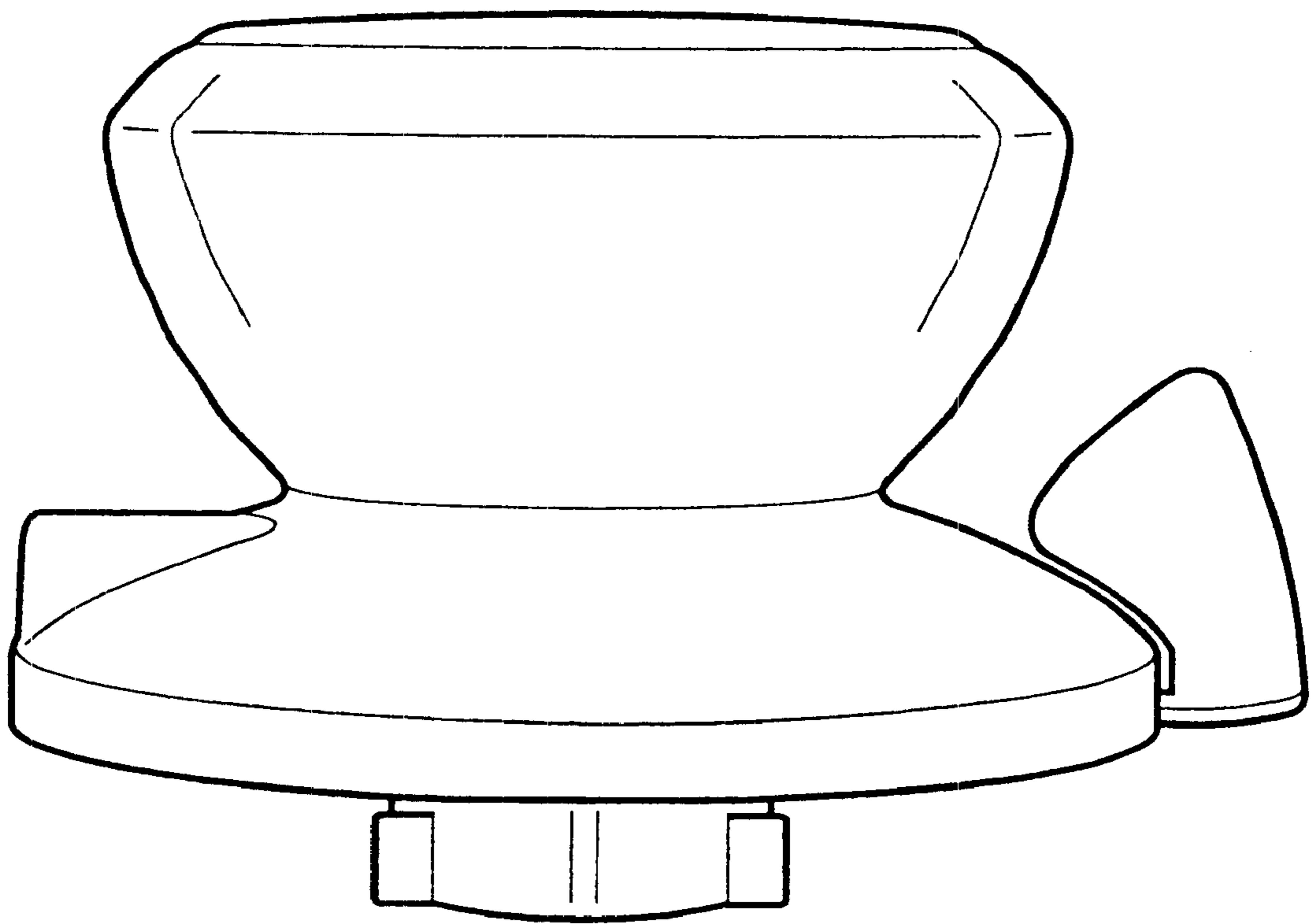
D261,349 S \* 10/1981 Ryser ..... D7/393  
D306,960 S \* 4/1990 Dricken et al. .... D7/393

**1 Claim, 4 Drawing Sheets**

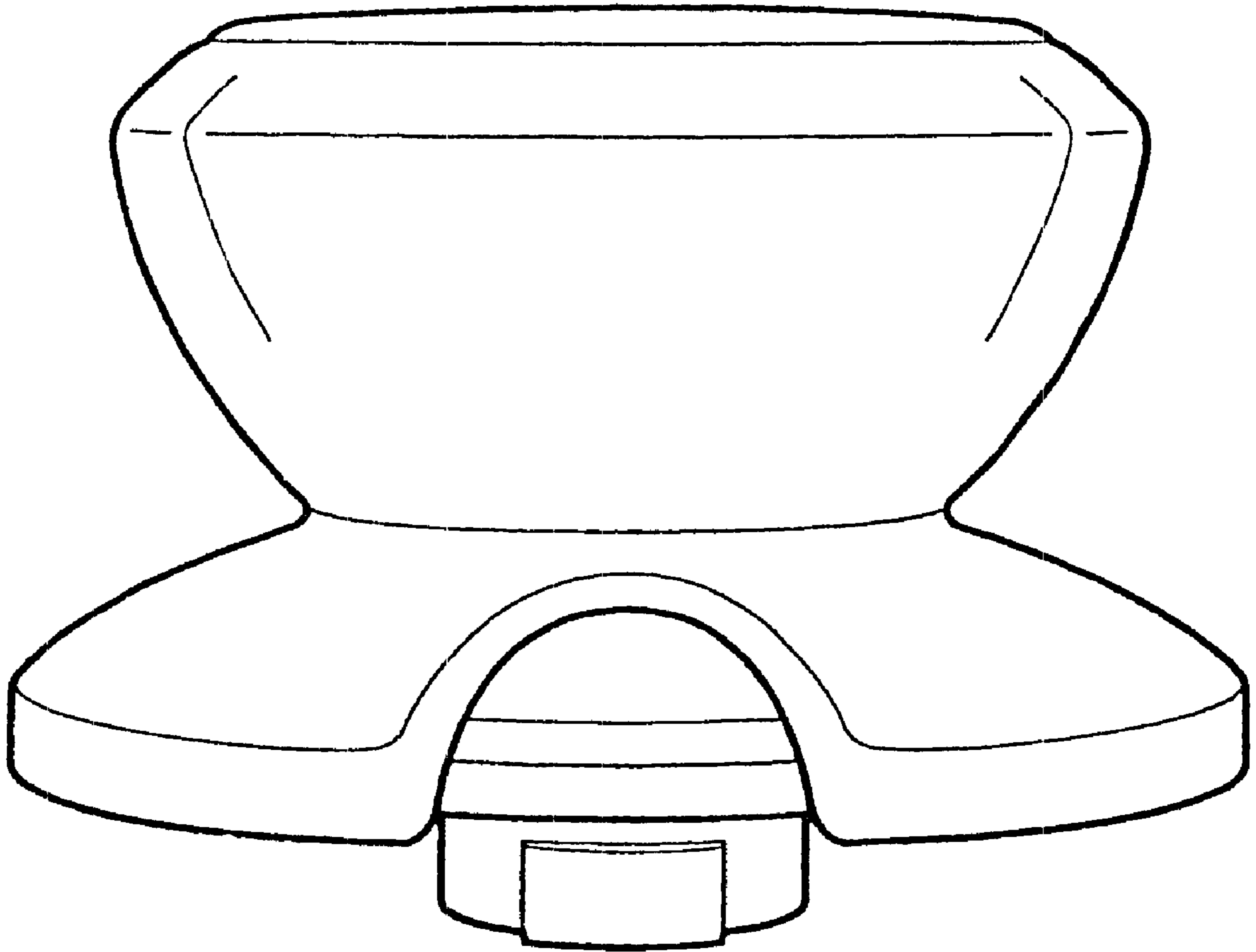




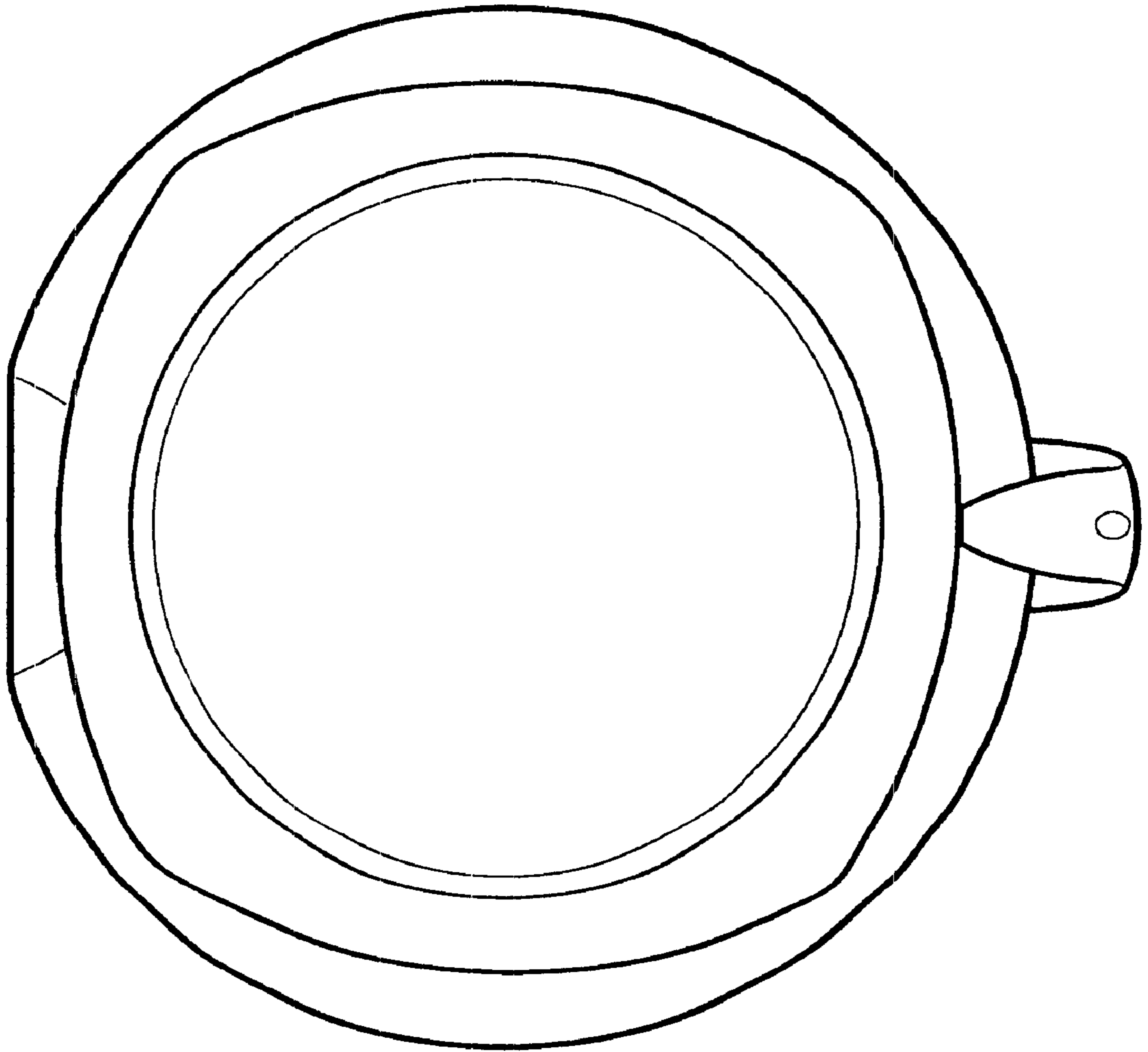
**Fig. 1**



**Fig. 2**



**Fig. 3**



**Fig. 4**