



US00D461991S

(12) **United States Design Patent** (10) **Patent No.:** **US D461,991 S**  
**Cunha et al.** (45) **Date of Patent:** **\*\* Aug. 27, 2002**

(54) **FROZEN BEVERAGE DISPENSING MACHINE**

(75) Inventors: **James P. Cunha**, Westford, MA (US);  
**Dennis J. Cohlmi**a, Wichita, KS (US);  
**James A. Steinbacher**; **Joel D. Hockenbury**, both of Arkansas City, KS (US)

(73) Assignee: **Kan-Pak, LLC**, Arkansas City, KS (US)

(\*\*) Term: **14 Years**

(21) Appl. No.: **29/152,644**

(22) Filed: **Dec. 21, 2001**

(51) **LOC (7) Cl.** ..... **07-01**

(52) **U.S. Cl.** ..... **D7/307; D7/308**

(58) **Field of Search** ..... D7/307, 308, 306,  
D7/300, 311; 62/188; 141/129, 86, 198;  
222/129.3, 146.6, 129.4; 99/284; D15/82

(56) **References Cited**

**U.S. PATENT DOCUMENTS**

D217,650 S	*	5/1970	Lofgren	.....	D15/82
D218,082 S	*	7/1970	Cornelius et al.	.....	D15/82
3,531,019 A	*	9/1970	Rodgers	.....	222/129.4
D223,648 S	*	5/1972	Hartley	.....	D15/82

4,566,287 A	*	1/1986	Schmidt et al.	.....	62/188
D313,331 S	*	1/1991	Schroeder et al.	.....	D7/308
D319,943 S	*	9/1991	Sexton et al.	.....	D7/308
D321,107 S	*	10/1991	Laws	.....	D7/308
D347,960 S	*	6/1994	Strohmeier et al.	.....	D7/307
D373,280 S	*	9/1996	Johnson	.....	D7/307
D404,242 S	*	1/1999	Schroeder	.....	D7/307
D453,088 S	*	1/2002	Bell et al.	.....	D7/307

\* cited by examiner

*Primary Examiner*—M. N. Pandozzi

(74) *Attorney, Agent, or Firm*—Head, Johnson & Kachigian

(57) **CLAIM**

The design for a frozen beverage dispensing machine, as shown and described.

**DESCRIPTION**

FIG. 1 is a perspective view of a frozen beverage dispensing machine showing our new design;  
 FIG. 2 is front view thereof;  
 FIG. 3 is a left side elevational view thereof;  
 FIG. 4 is a rear view thereof;  
 FIG. 5 is a top elevational view thereof; and,  
 FIG. 6 is a bottom elevational view thereof.  
 The right side elevational view is a reverse mirror image of the left side elevational view shown in FIG. 3.

**1 Claim, 3 Drawing Sheets**

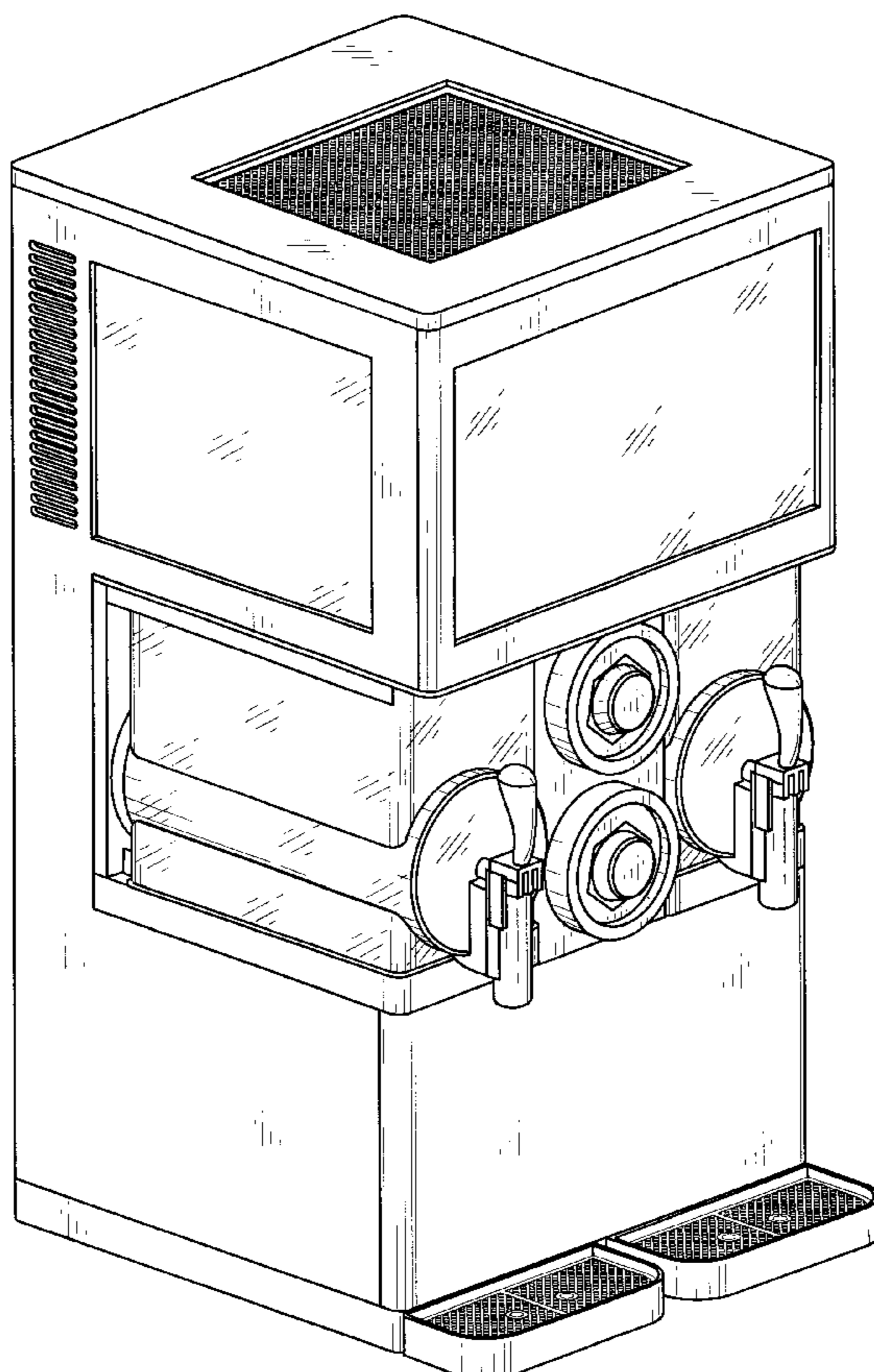


FIG. 1

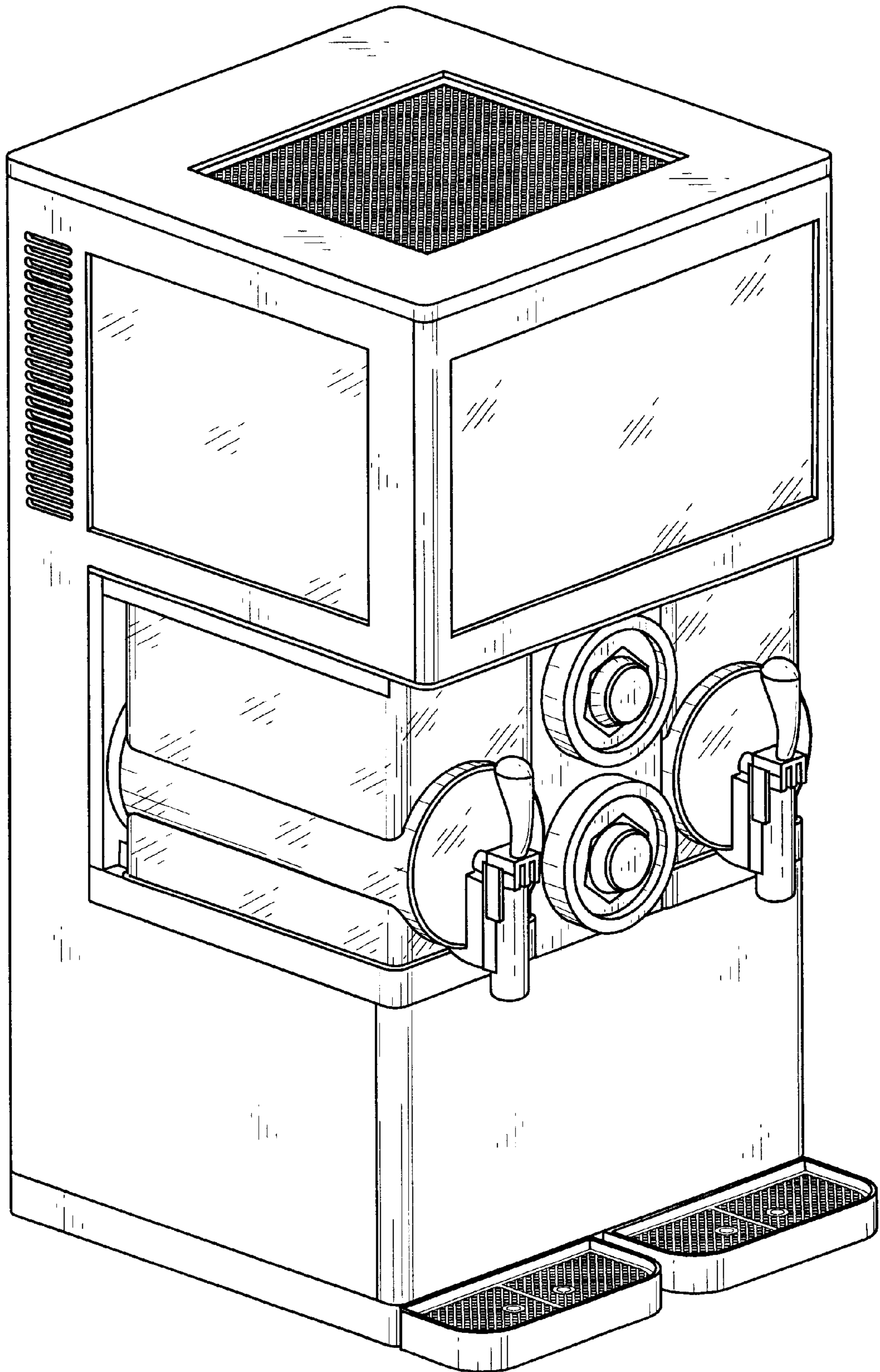


FIG. 2

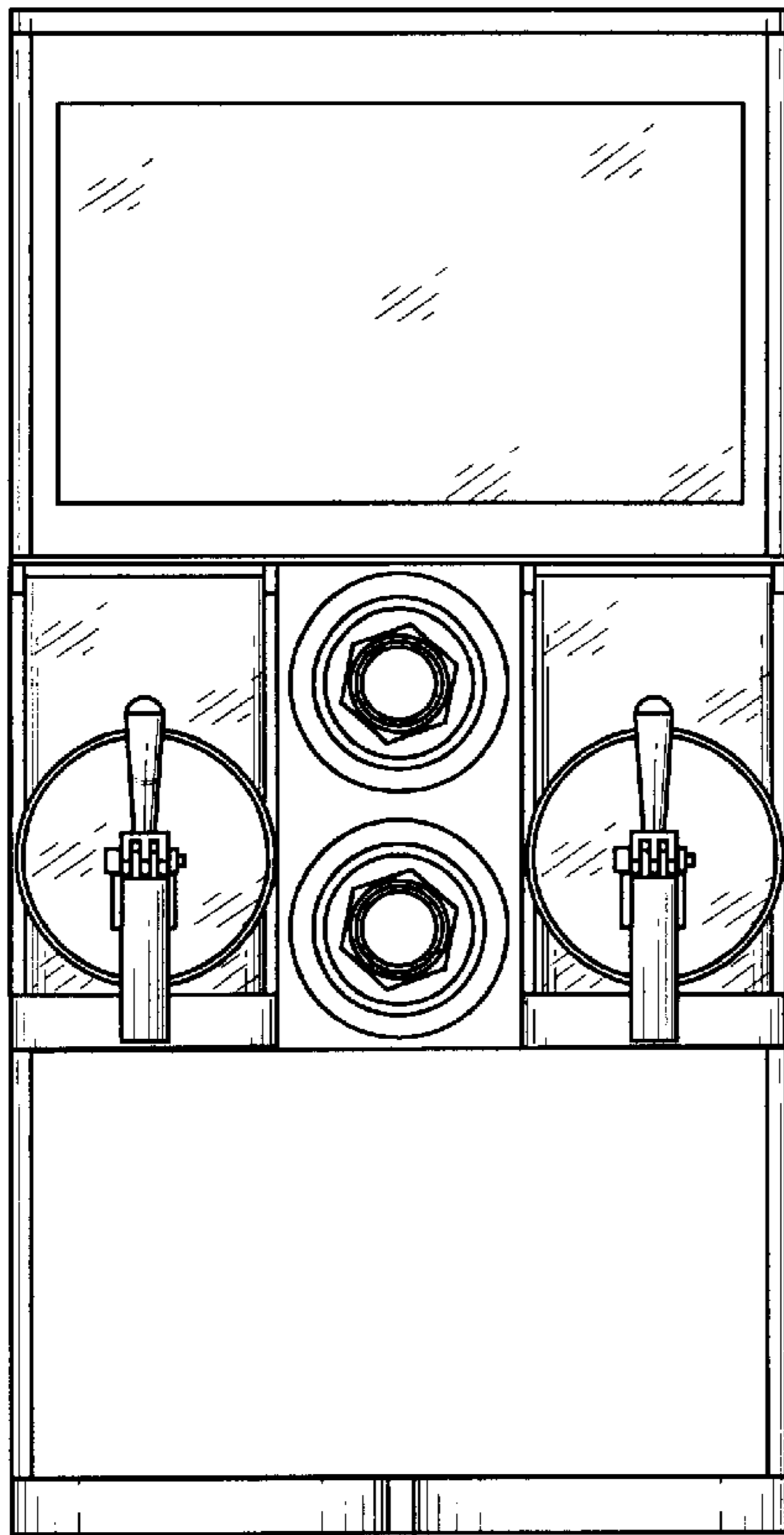


FIG. 3

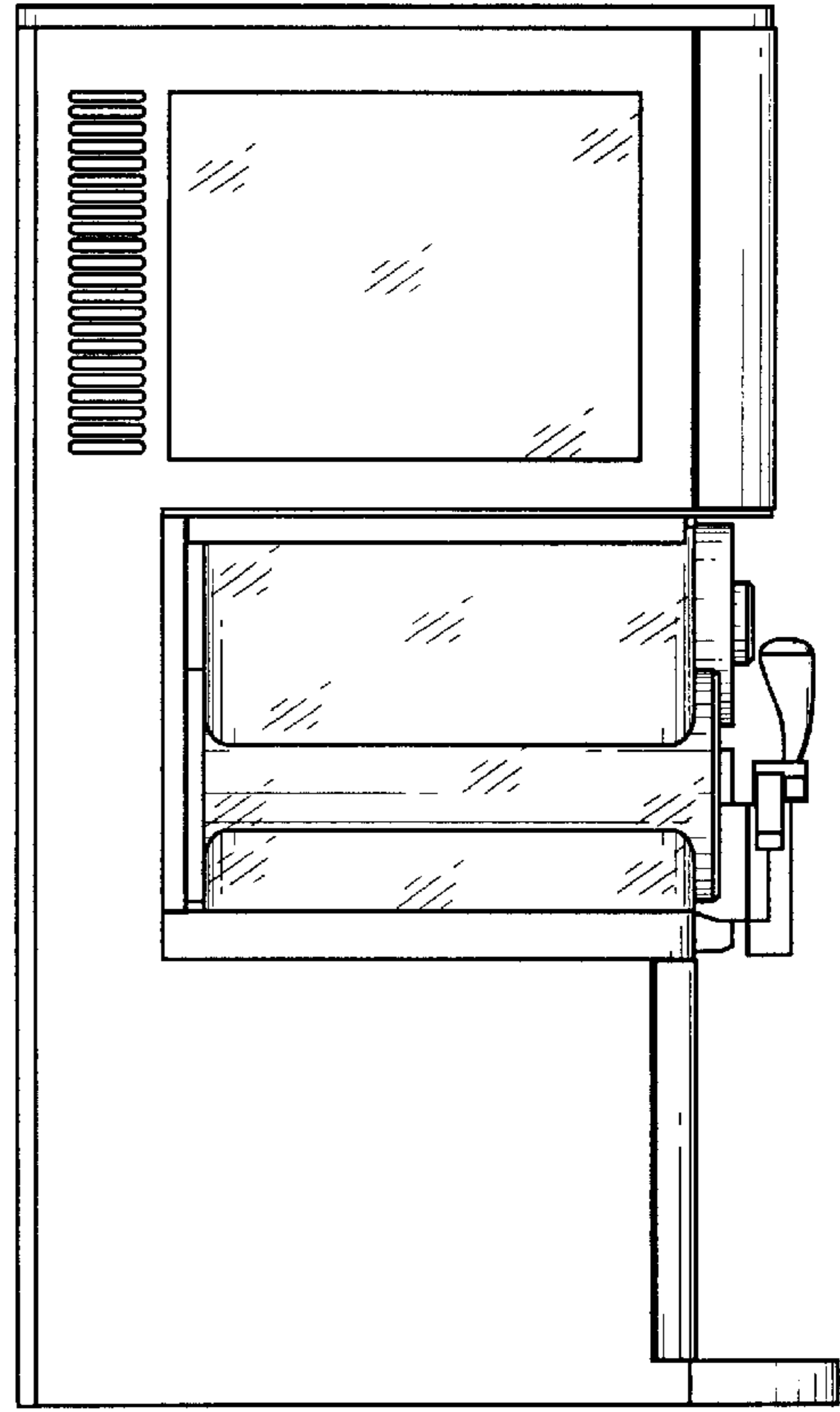


FIG. 4

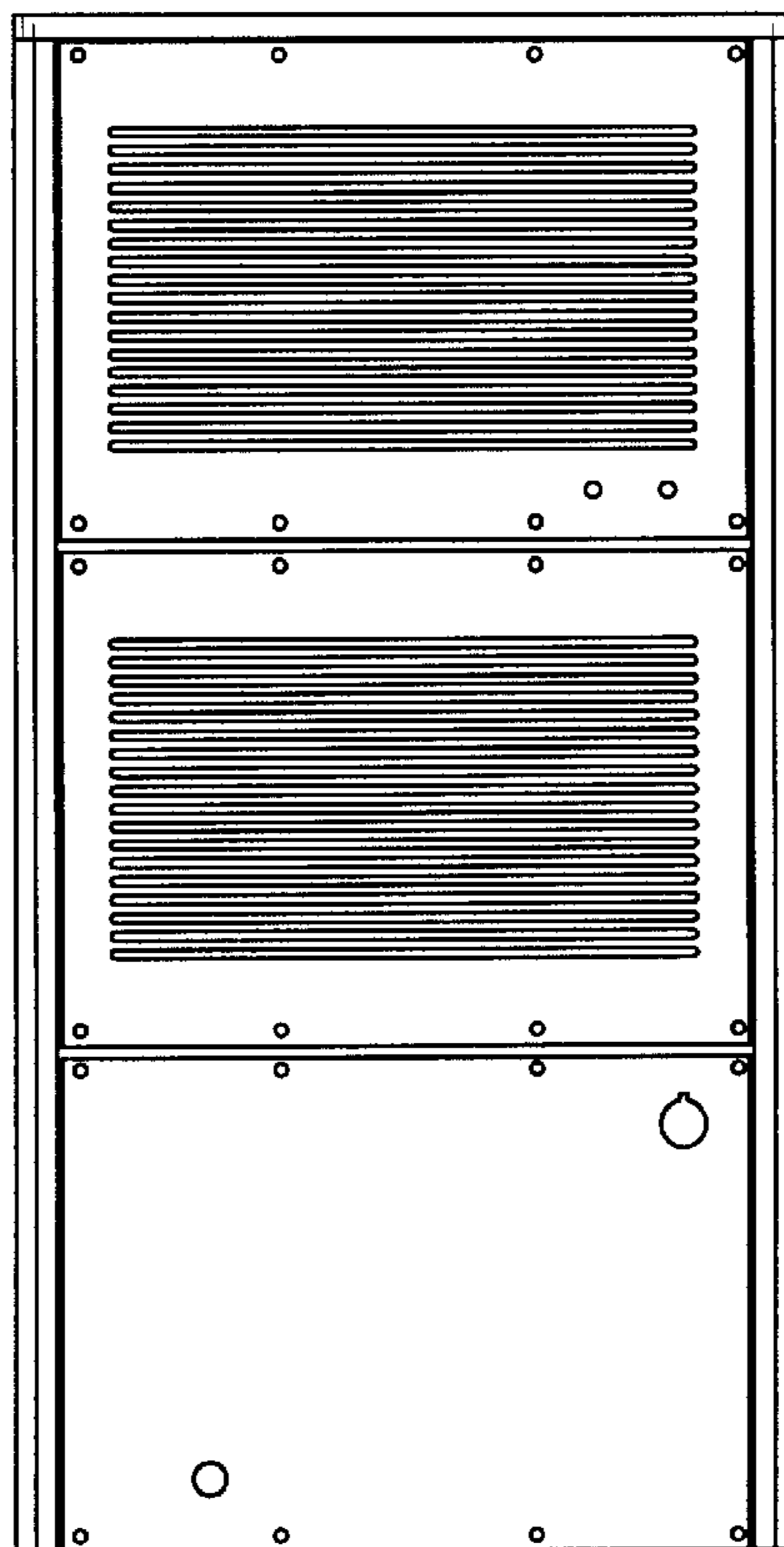


FIG. 5

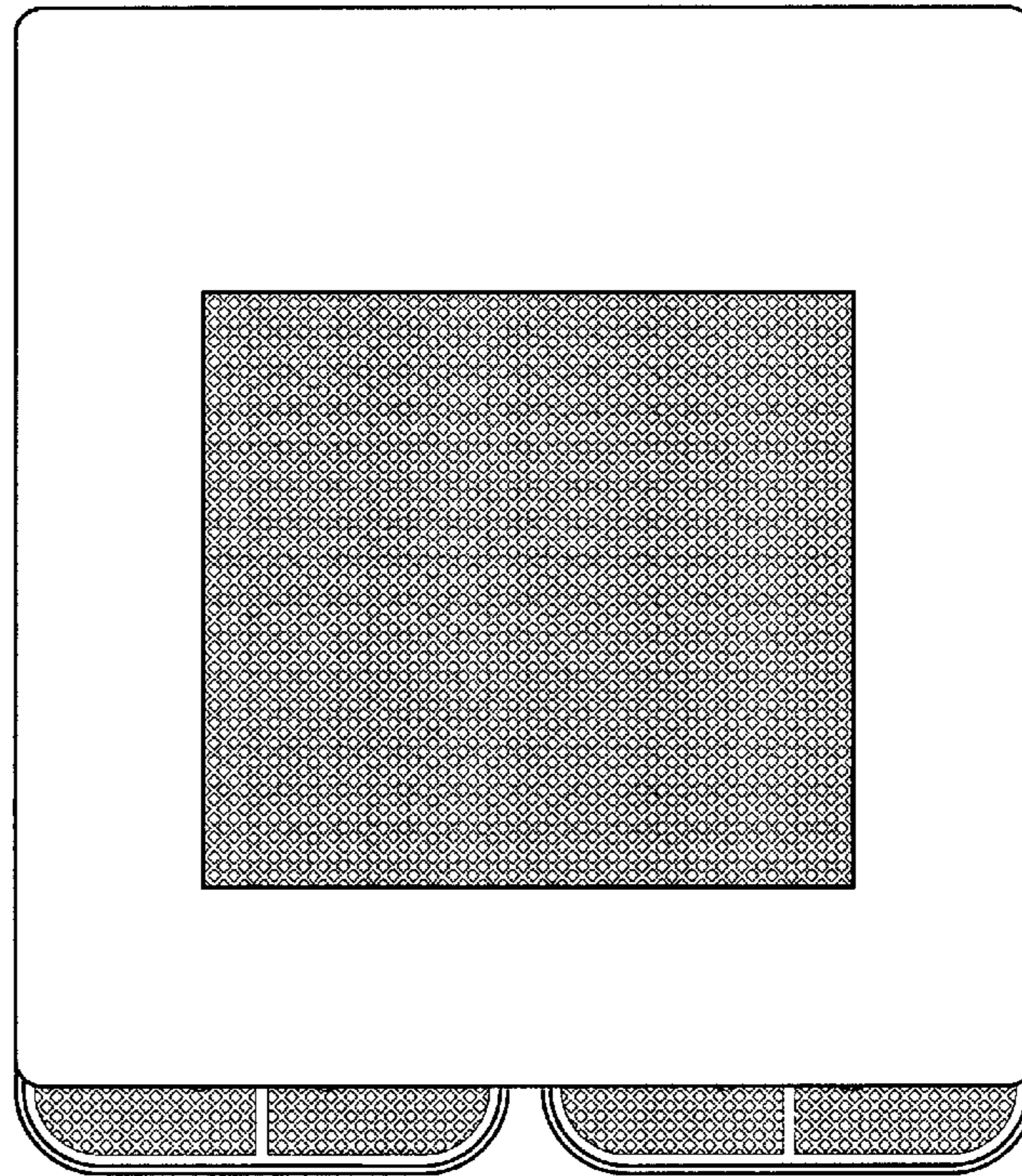


FIG. 6

