



US00D461987S

(12) **United States Design Patent**  
**Smith**

(10) **Patent No.:** **US D461,987 S**

(45) **Date of Patent:** **\*\* Aug. 27, 2002**

(54) **ARTICLE HOLDER**

(76) Inventor: **Clyde D. Smith**, 17050 Pike 163,  
Louisiana, MO (US) 63353

(\*\*) Term: **14 Years**

(21) Appl. No.: **29/152,172**

(22) Filed: **Dec. 14, 2001**

(51) **LOC (7) Cl.** ..... **06-02**

(52) **U.S. Cl.** ..... **D6/566; D6/552; D22/108**

(58) **Field of Search** ..... **D22/100, 108,**  
**D22/109; D6/411, 419, 420, 552, 566;**  
**42/94; 89/37.04; 211/181.1, 32, 64; 248/530**

(56) **References Cited**

**U.S. PATENT DOCUMENTS**

2,678,184	A	*	5/1954	Erdody	.....	D6/566
3,175,793	A	*	3/1965	Kennedy	.....	D6/566
3,789,996	A	*	2/1974	Stroh	.....	211/181.1 X
4,458,585	A	*	7/1984	Erbach	.....	211/181.1 X
D280,282	S	*	8/1985	Erbach	.....	211/181.1 X
D345,272	S	*	3/1994	Kelsoe	.....	D6/552

\* cited by examiner

*Primary Examiner*—Louis S. Zarfaz  
*Assistant Examiner*—Monica A. Weingart

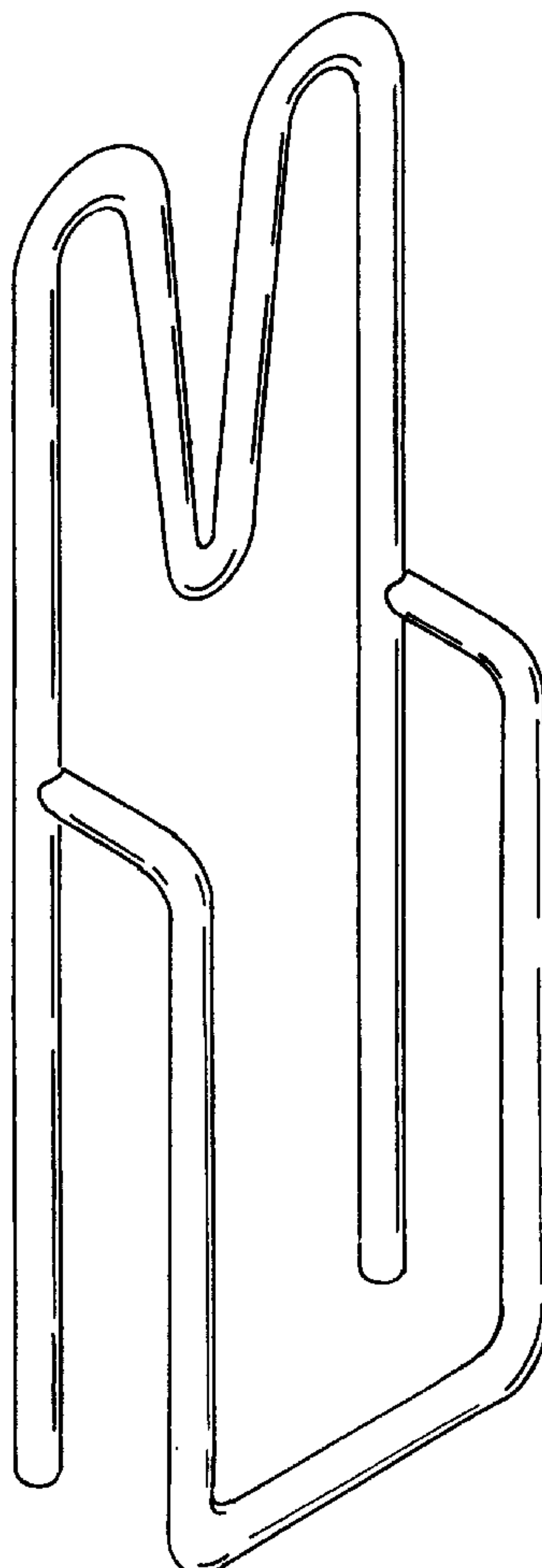
(57) **CLAIM**

The ornamental design for the article holder, as shown and described.

**DESCRIPTION**

FIG. 1 is a perspective view of the article holder showing my new design;  
FIG. 2 is a left side elevational view, the right side elevational view being identical;  
FIG. 3 is a front elevational view thereof;  
FIG. 4 is a rear elevational view thereof;  
FIG. 5 is a top plan view thereof;  
FIG. 6 is a bottom plan view thereof;  
FIG. 7 is a perspective view showing use environment with the broken line representation of a long gun and support rail being for illustration only and forming no part of my design; and,  
FIG. 8 is a side elevational view of a second embodiment being identical to the first embodiment except for the wider spacing between the front bracket and rear legs thereof.

**1 Claim, 4 Drawing Sheets**



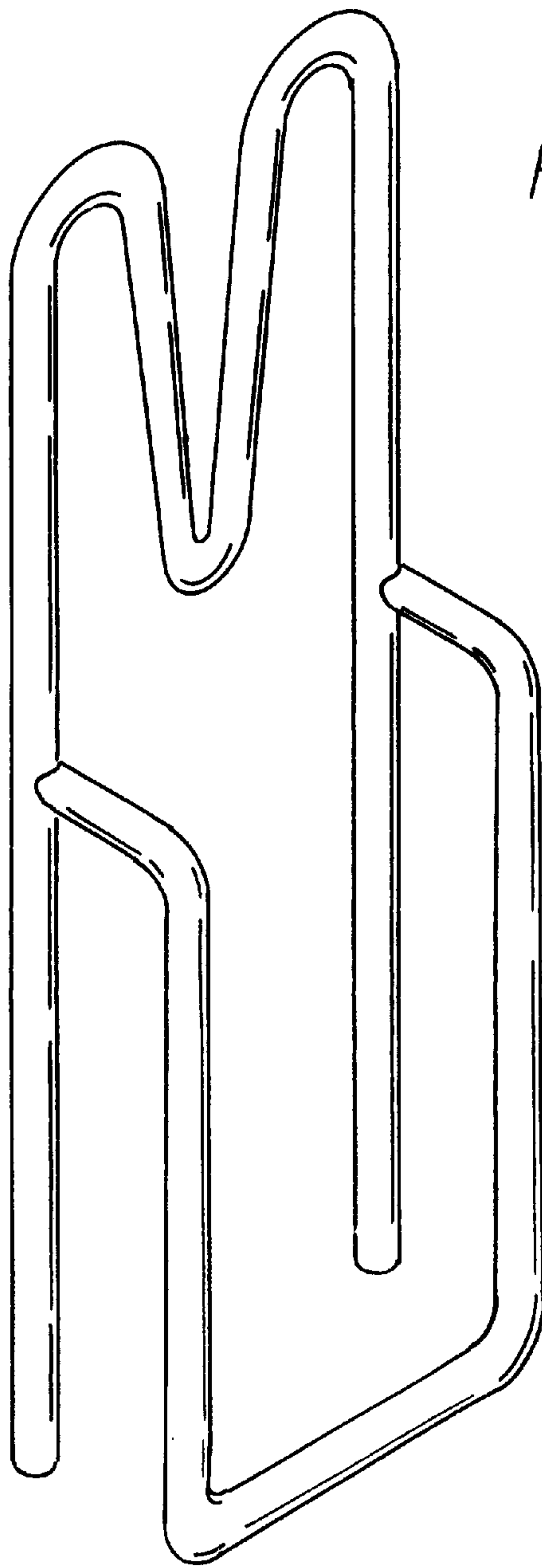


FIG 1

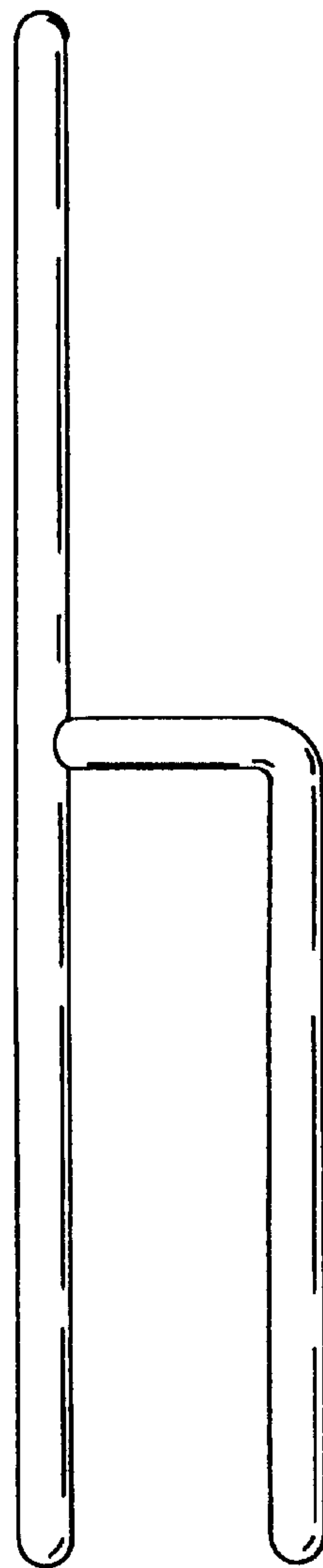


FIG 2

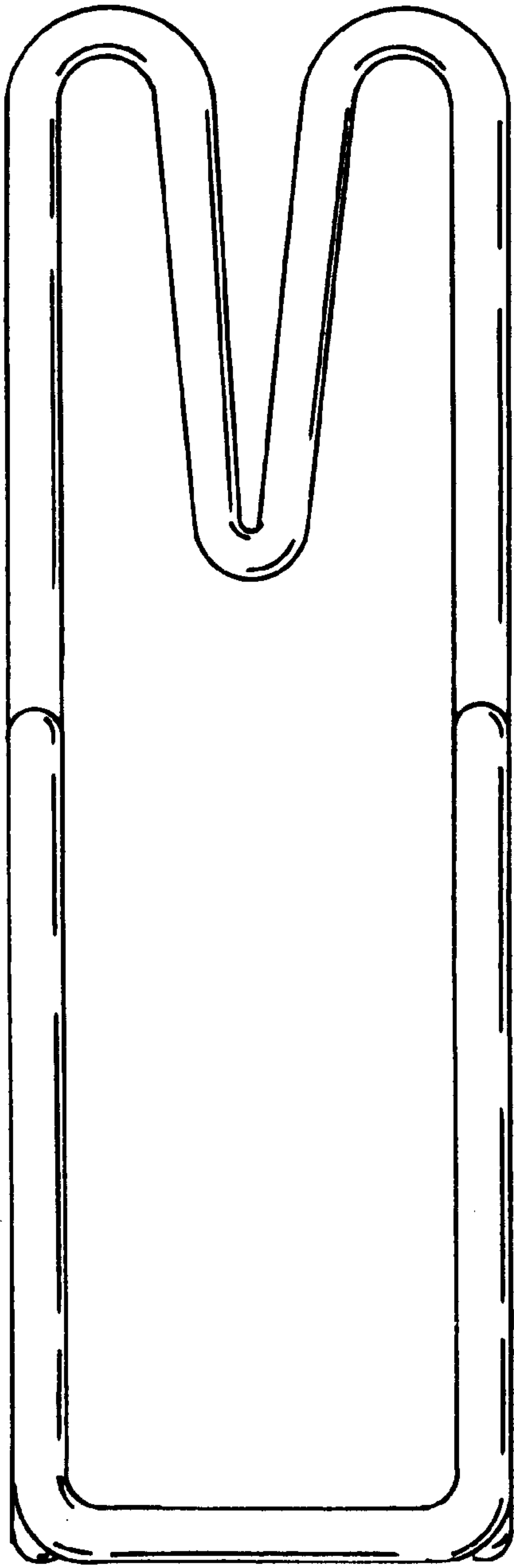


FIG 3

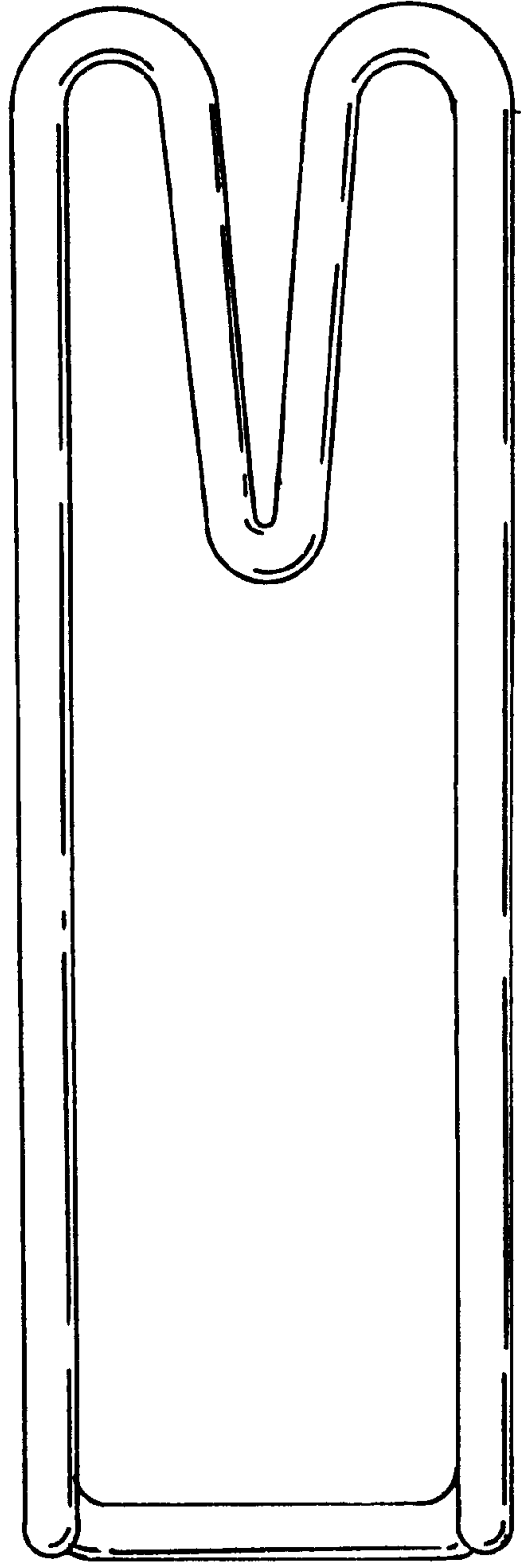


FIG 4

FIG 5

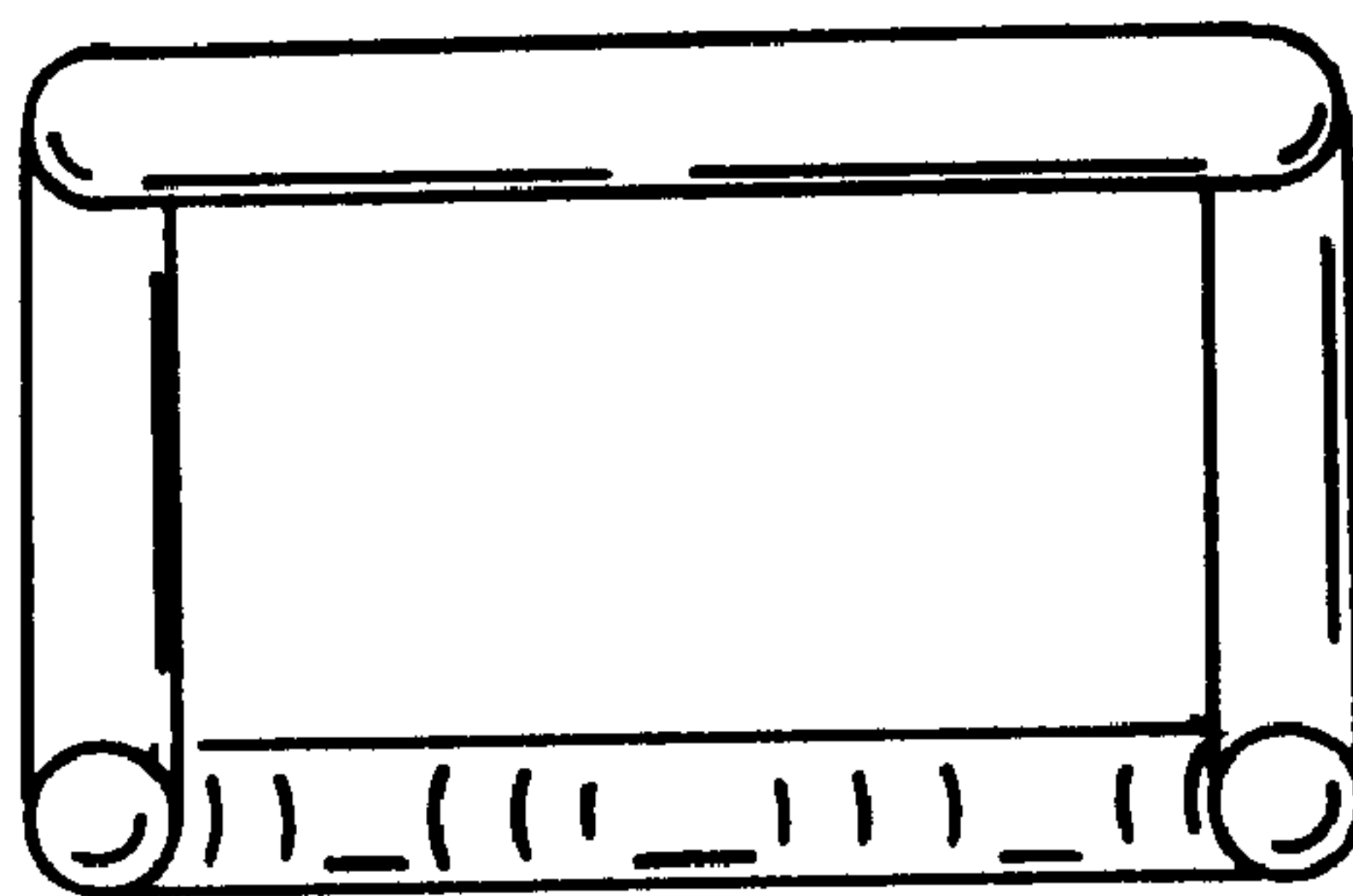
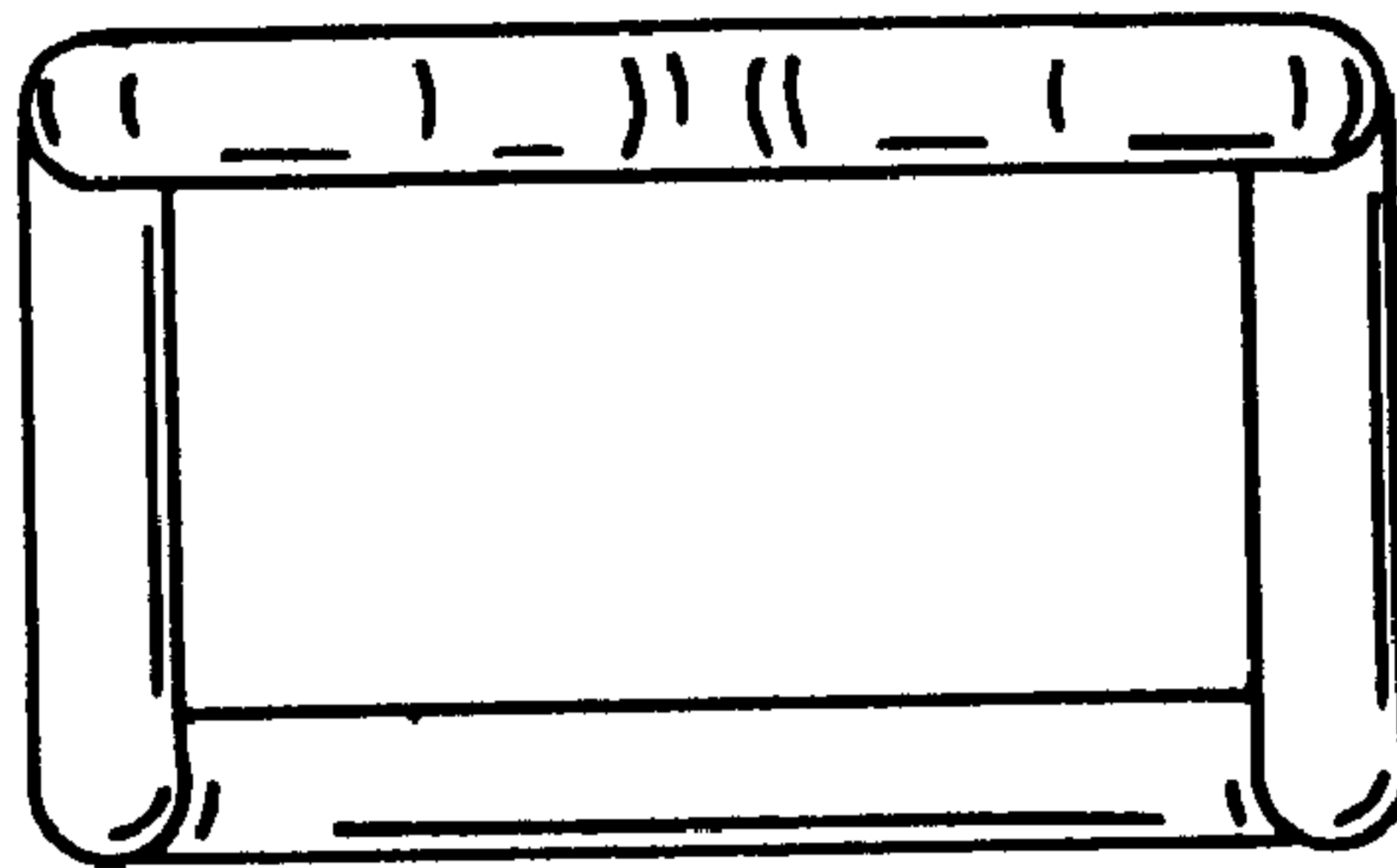


FIG 6

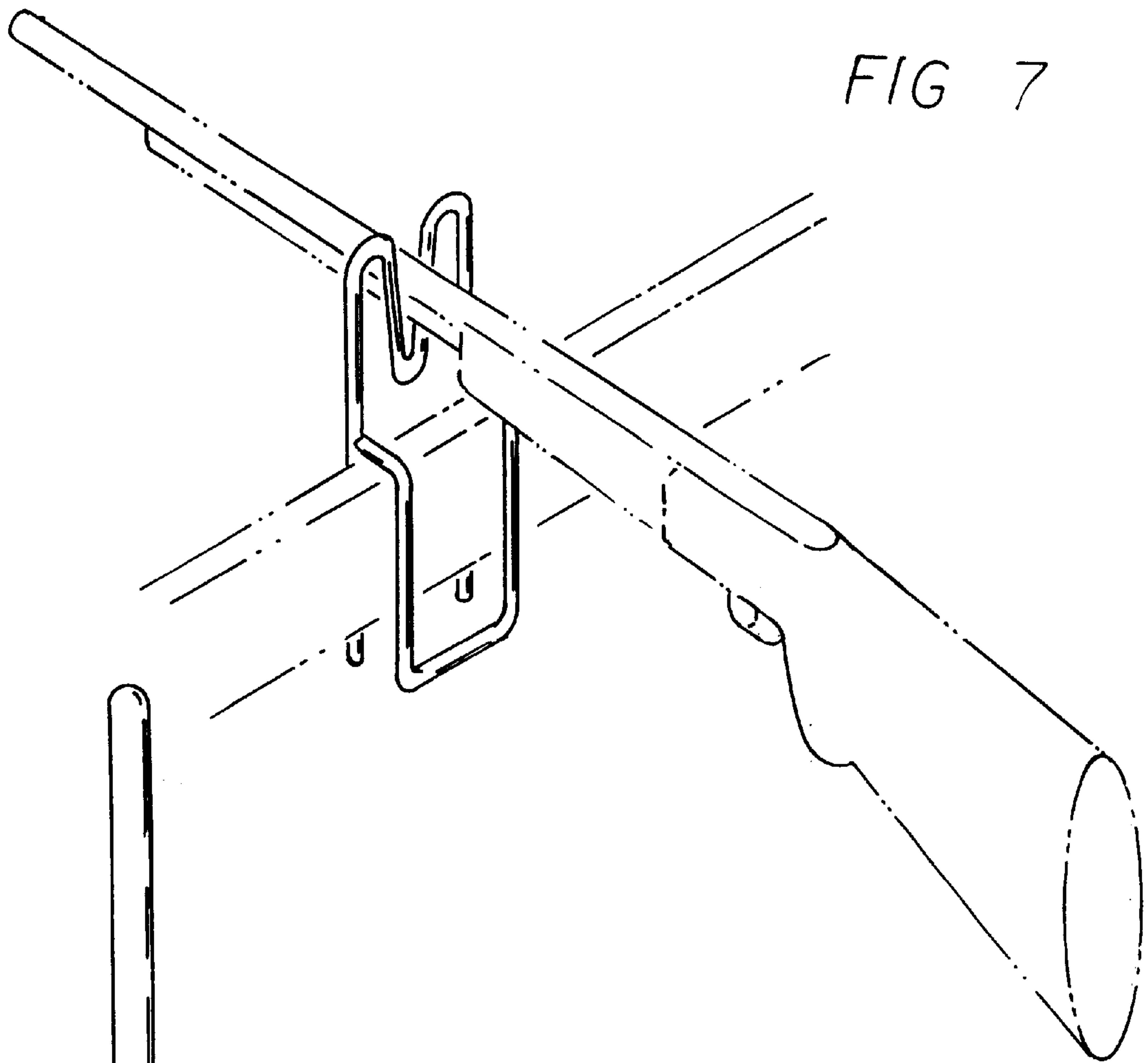


FIG 7

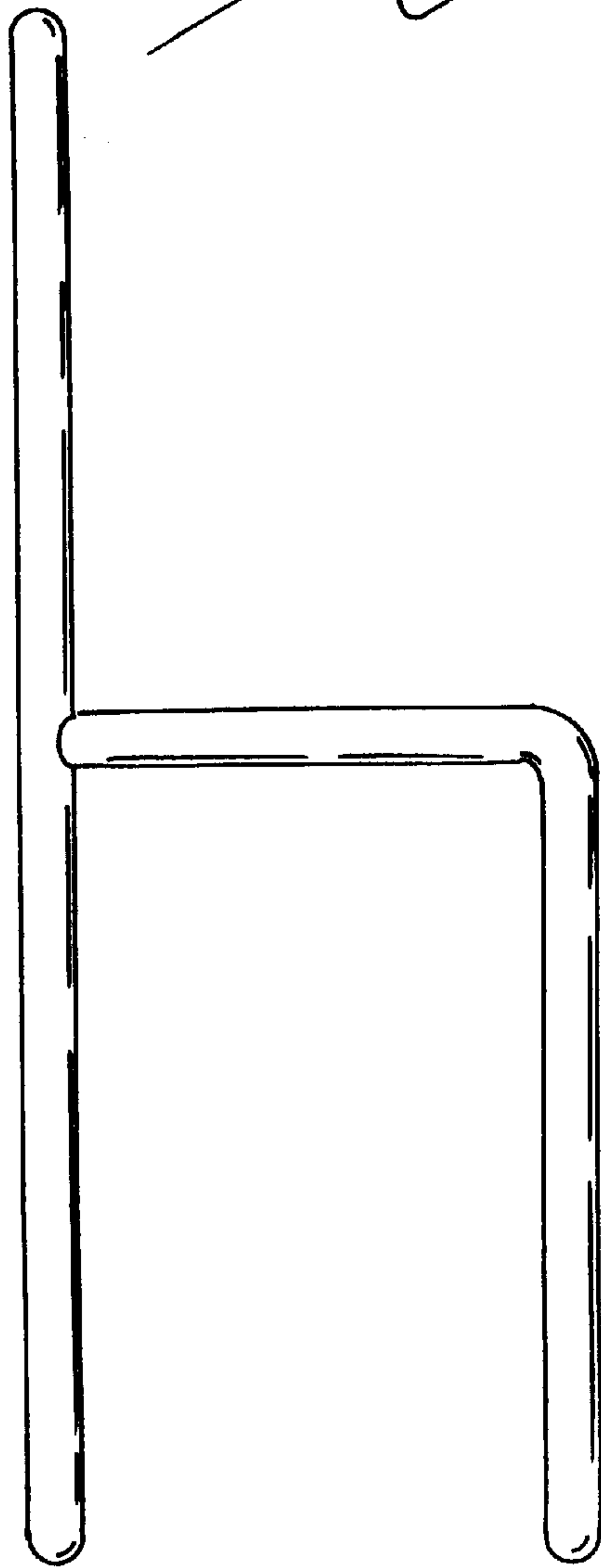


FIG 8