



US00D461986S

(12) **United States Design Patent**
Talley

(10) **Patent No.:** **US D461,986 S**

(45) **Date of Patent:** **** Aug. 27, 2002**

(54) **BALL KEEPER**

(76) Inventor: **Wally Talley**, 705 Peek Rd., Dalton,
GA (US) 30721

(**) Term: **14 Years**

(21) Appl. No.: **29/143,084**

(22) Filed: **Jun. 8, 2001**

(51) **LOC (7) Cl.** **08-08**

(52) **U.S. Cl.** **D6/552; D6/566**

(58) **Field of Search** D6/552, 553, 566;
211/13.1, 4, 106, 181.1; 248/340

(56) **References Cited**

U.S. PATENT DOCUMENTS

D248,809	S	*	8/1978	Kailey	D6/552
4,598,891	A	*	7/1986	Hanert	248/340
D299,100	S	*	12/1988	Martinell et al.	D6/552
5,209,359	A	*	5/1993	Arnold	211/106
D389,688	S	*	1/1998	Iacono	D6/552
6,293,412	B1	*	9/2001	Draper	211/4

* cited by examiner

Primary Examiner—Brian N. Vinson

(74) *Attorney, Agent, or Firm*—Robert N. Wieland

(57) **CLAIM**

The ornamental design for a ball keeper, as shown and described.

DESCRIPTION

FIG. 1 is a top, front, and left side perspective view of a ball keeper showing my new design, the broken-line disclosure of a basketball post, backboard and net being for illustrative purposes only and forming no part of the claimed design

FIG. 2 is a left side elevational view of my new design for a ball keeper;

FIG. 3 is a right side elevational view thereof;

FIG. 4 is a top view thereof;

FIG. 5 is a bottom view thereof;

FIG. 6 is a front elevational view thereof; and,

FIG. 7 is a rear elevational view thereof.

1 Claim, 4 Drawing Sheets

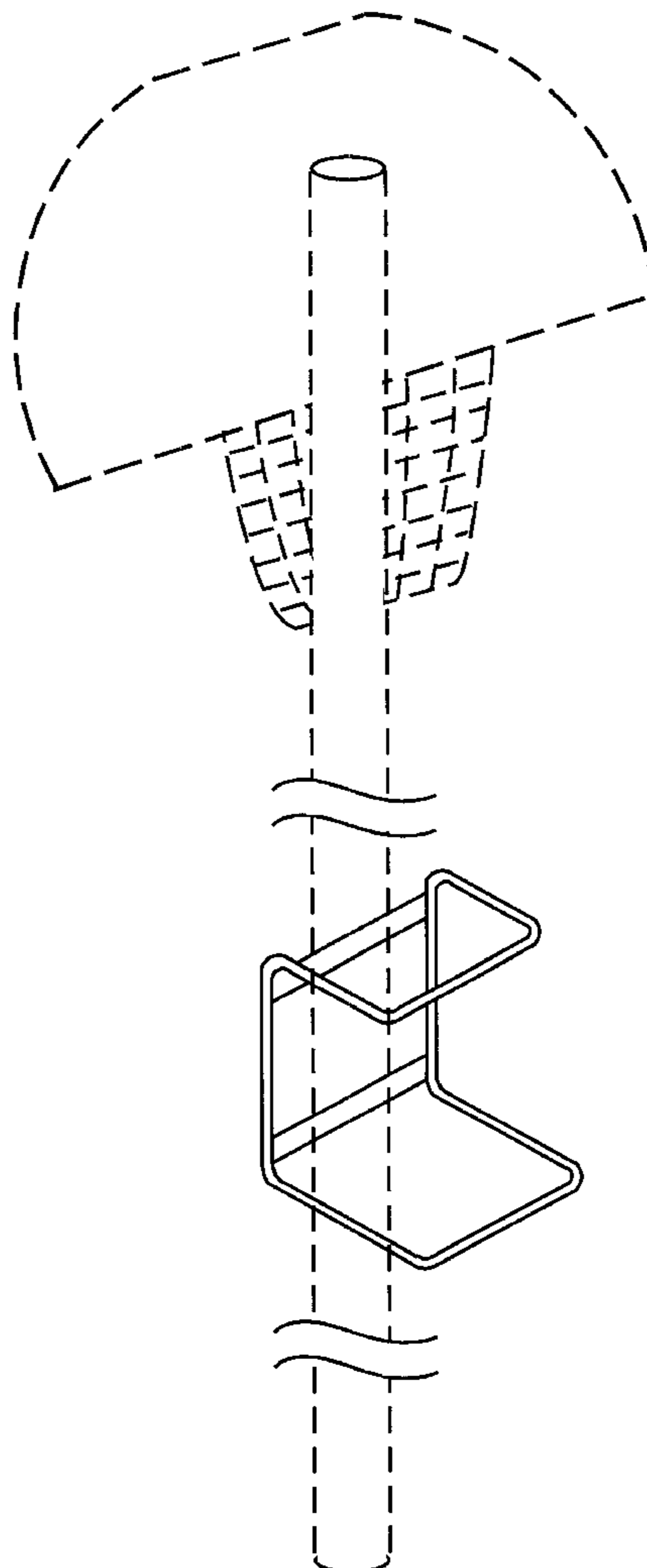


FIG. 1

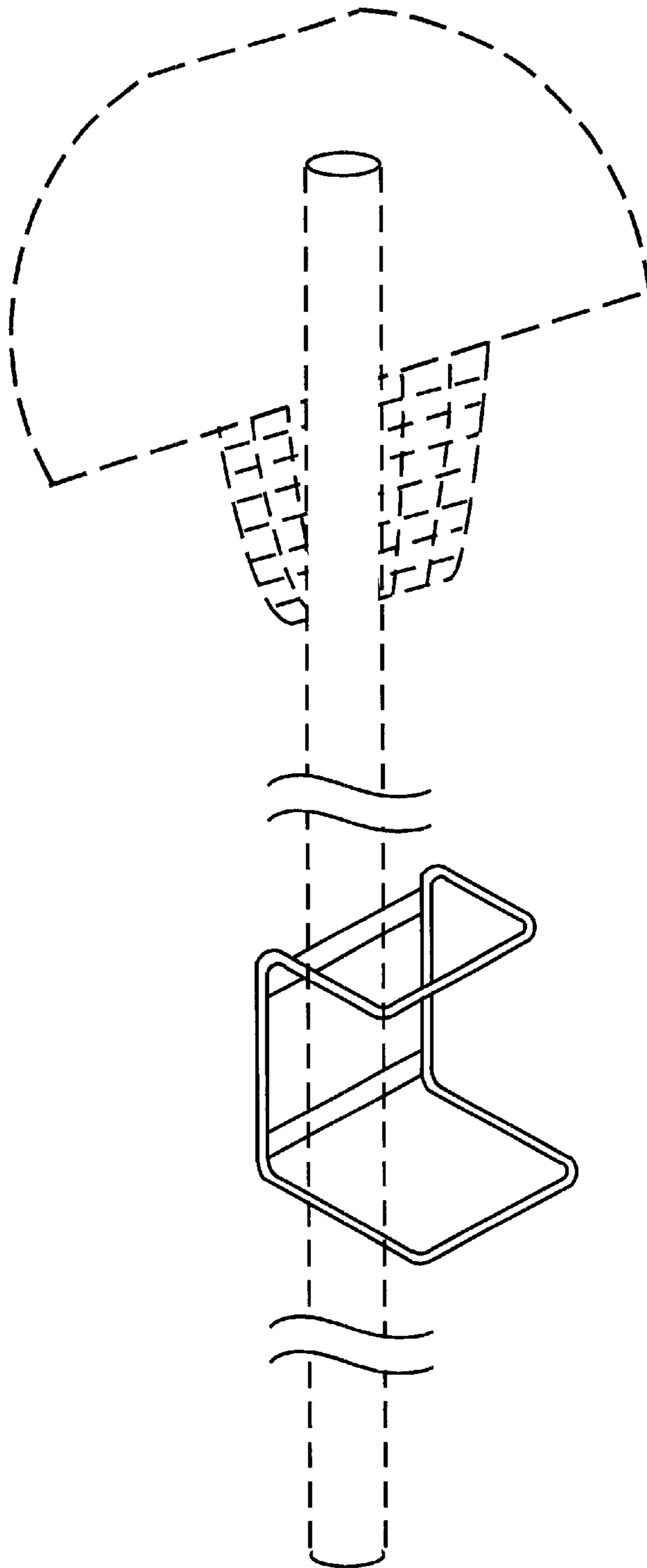


FIG. 2

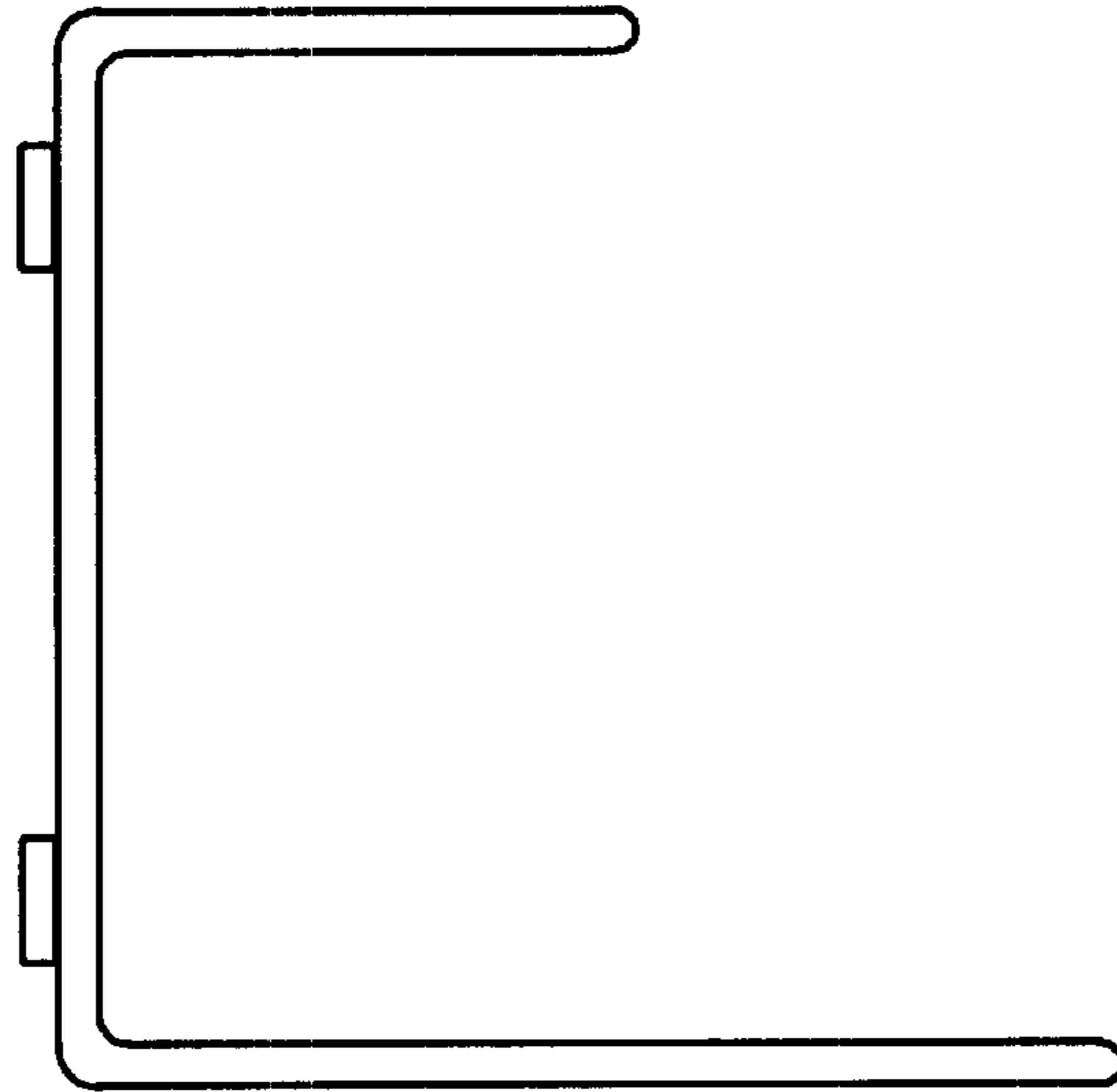


FIG. 3

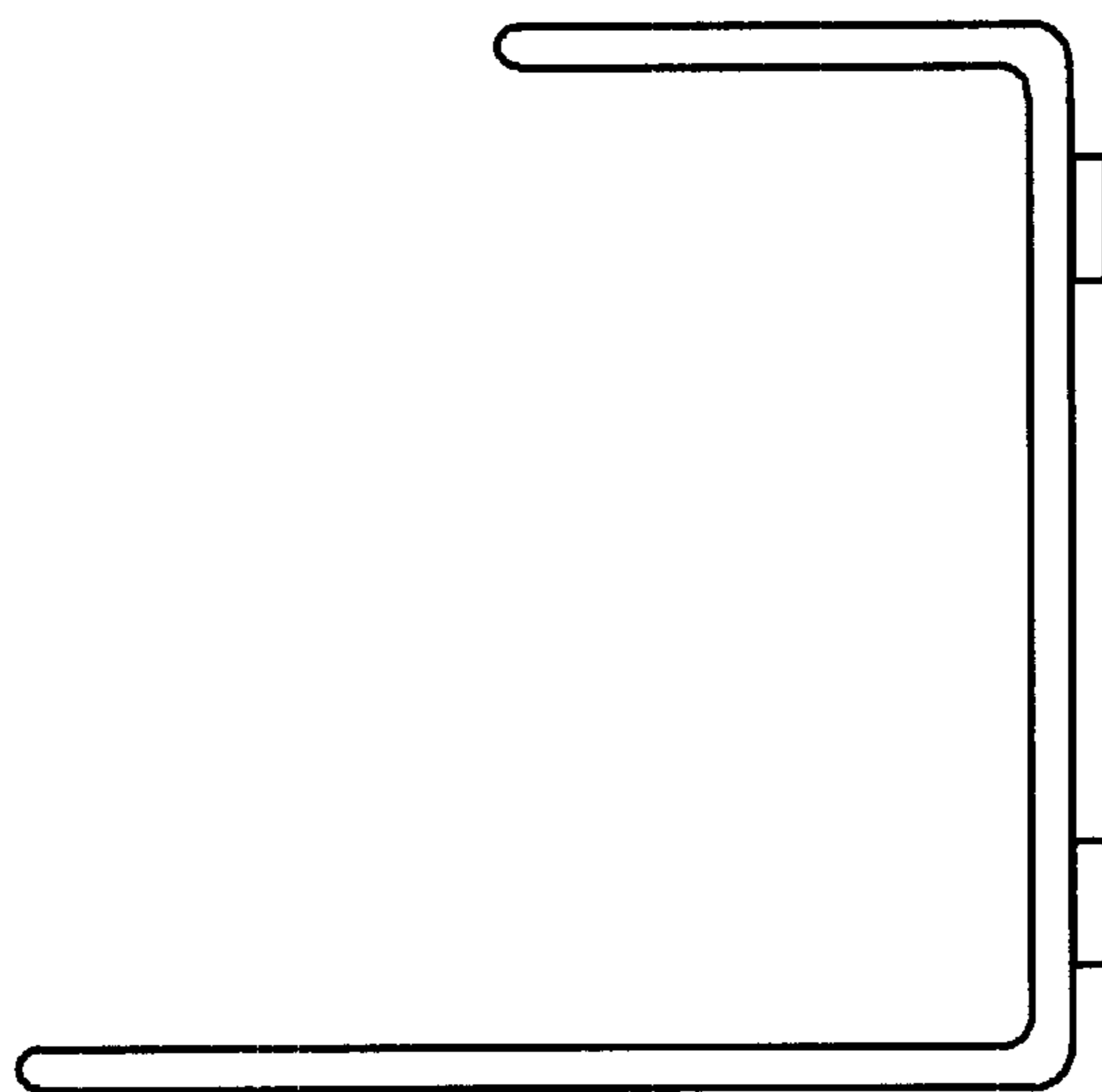


FIG. 4

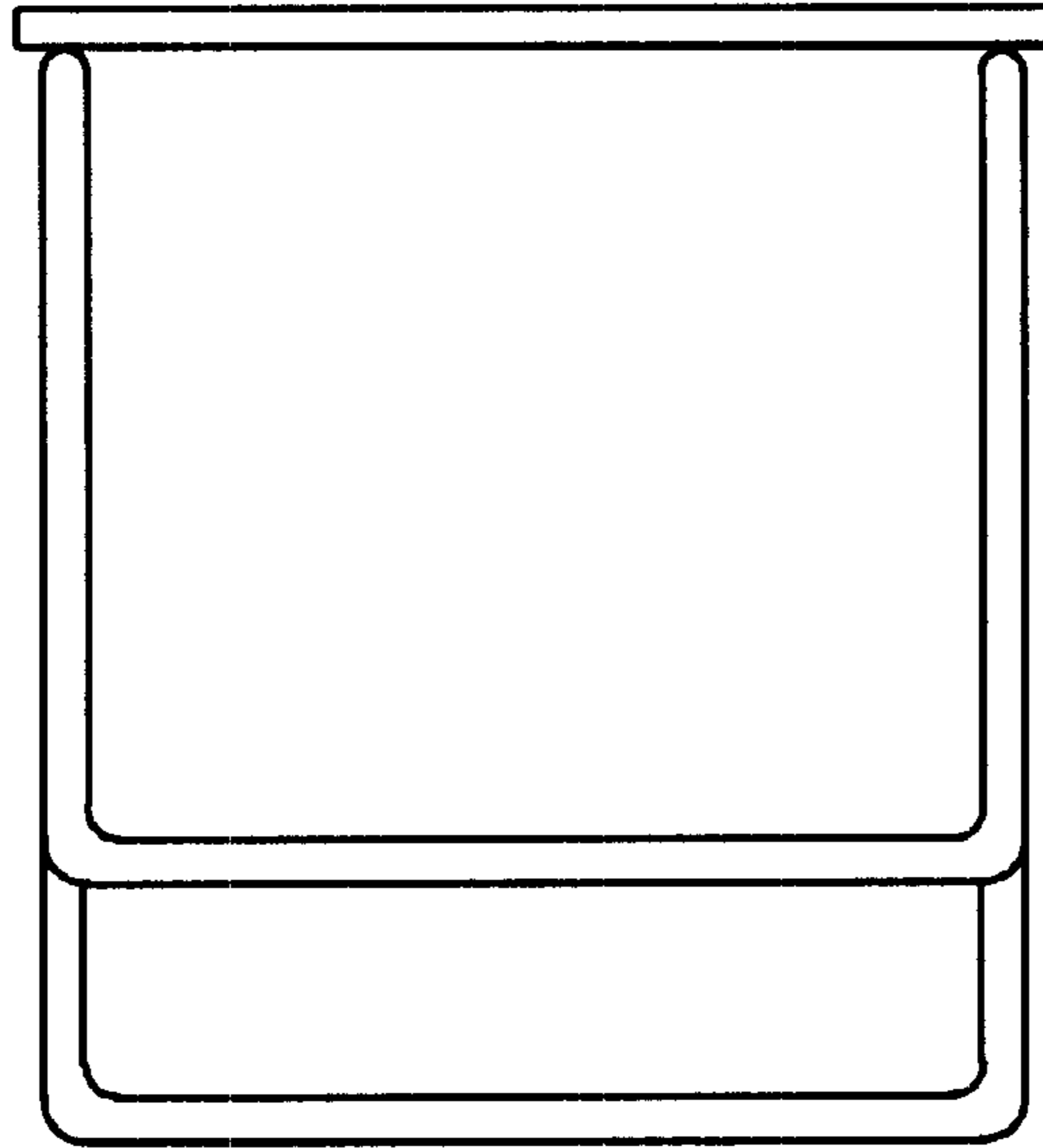


FIG. 5

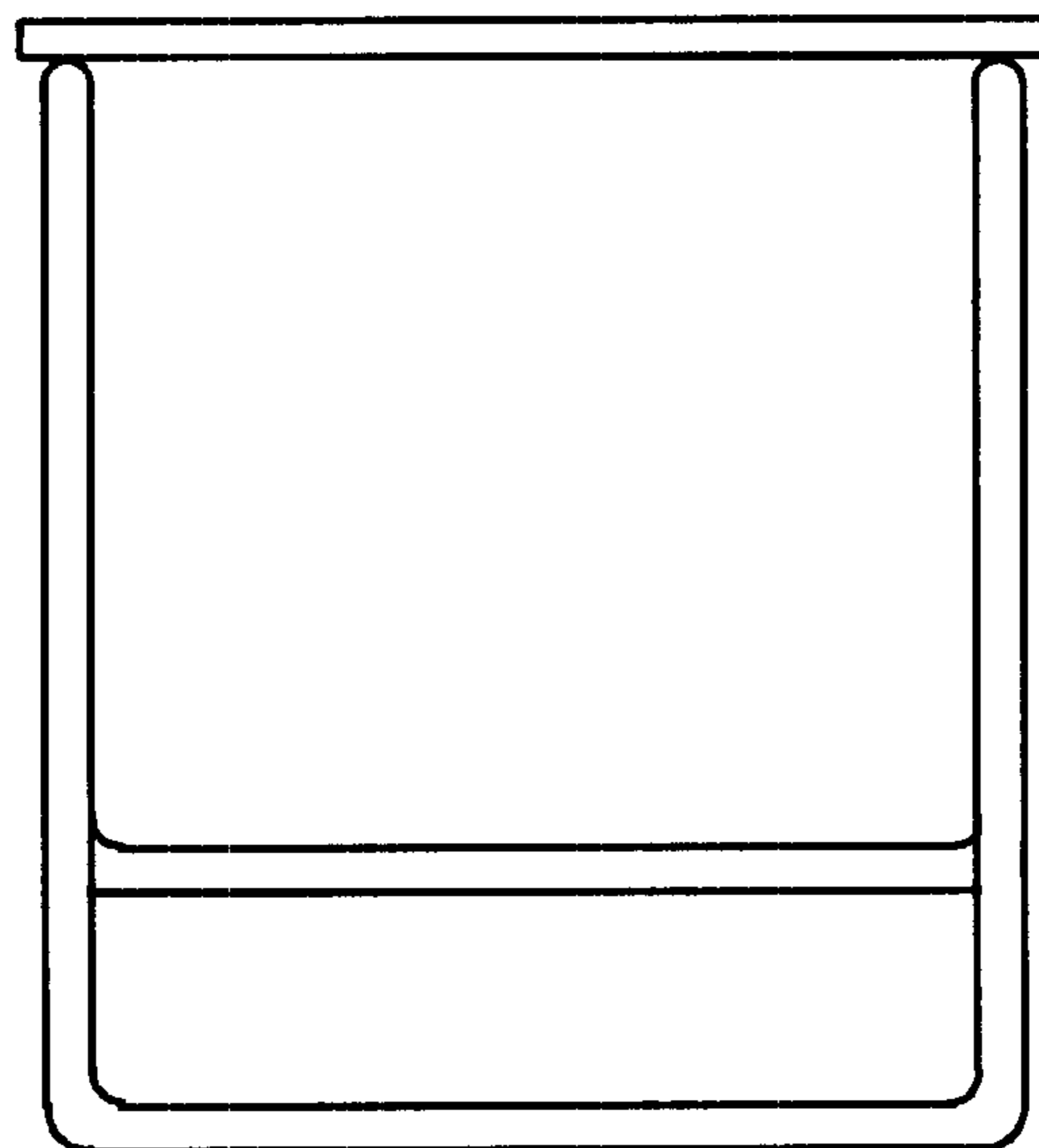


FIG. 6

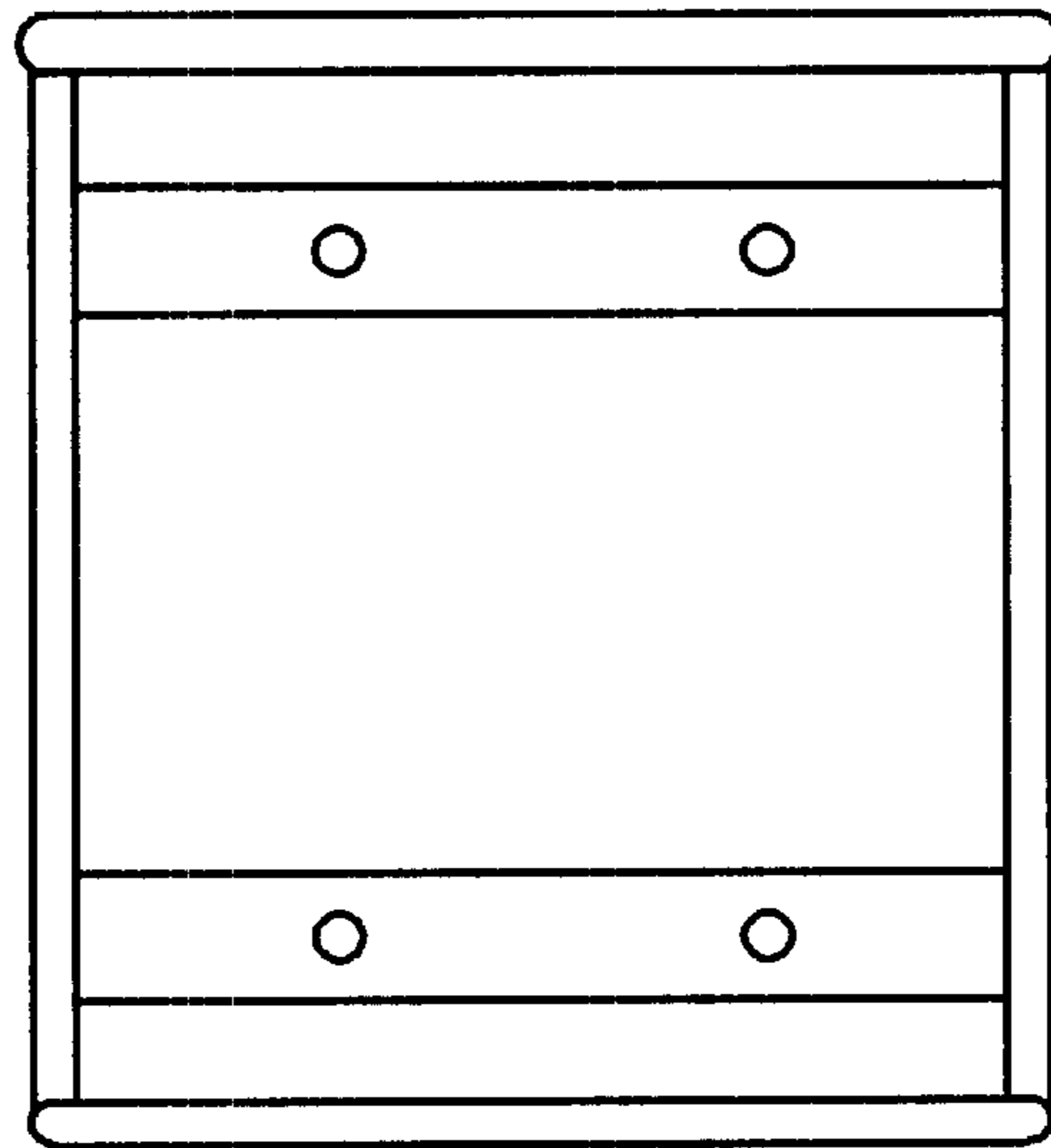


FIG. 7

