



US00D461981S

(12) **United States Design Patent**  
**Ong**

(10) **Patent No.:** **US D461,981 S**

(45) **Date of Patent:** **\*\* Aug. 27, 2002**

(54) **TISSUE BOX COVER WITH CORNER GROOVES**

(76) Inventor: **Bon S. Ong**, Box 4247, Torrance, CA (US) 90510

(\*\*) Term: **14 Years**

(21) Appl. No.: **29/153,662**

(22) Filed: **Jan. 14, 2002**

(51) **LOC (7) Cl.** ..... **20-02**

(52) **U.S. Cl.** ..... **D6/518**

(58) **Field of Search** ..... D6/515-523; 312/34.1, 312/34.4; 206/804, 812; 211/13.1, 48, 49; 221/22, 33, 45, 286

(56) **References Cited**

**U.S. PATENT DOCUMENTS**

2,433,587	A	*	12/1947	Wentworth	.....	206/804	X
D201,462	S	*	6/1965	Klein	.....	D6/518	
D205,629	S	*	8/1966	Hartley	.....	D6/518	
D205,721	S	*	9/1966	O'Neil	.....	D6/518	
D208,206	S	*	8/1967	Helgeson	.....	D6/522	
D304,651	S	*	11/1989	McKee	.....	D6/520	
D334,498	S	*	4/1993	Romme et al.	.....	D6/515	
D348,389	S	*	7/1994	Nigro	.....	D6/515	X
D371,708	S	*	7/1996	Haley et al.	.....	D6/518	
D372,386	S	*	8/1996	Kuchenbecker	.....	D6/518	
D372,387	S	*	8/1996	Kuchenbecker	.....	D6/518	
D390,391	S	*	2/1998	Hsu	.....	D6/518	
D403,189	S	*	12/1998	Isaacson	.....	D6/518	
D424,342	S	*	5/2000	Pasquale	.....	D6/518	X
D436,273	S	*	1/2001	Lange	.....	D6/519	

**OTHER PUBLICATIONS**

Ma Leck Catalogue (1980) p. 31, Tissue Box Covers ML 1550.

\* cited by examiner

*Primary Examiner*—Brian N. Vinson  
(74) *Attorney, Agent, or Firm*—Charles H. Thomas

(57) **CLAIM**

I claim the ornamental design for the article tissue box cover with corner grooves, as shown and described.

**DESCRIPTION**

FIG. 1 is a perspective view of one embodiment of a tissue box cover with corner grooves having wood grain surface appearances and illustrating my new design;

FIG. 2 is a front elevational view thereof, it being understood that the undisclosed rear elevational view is identical thereto;

FIG. 3 is a left-side elevational view thereof, it being understood that the undisclosed right-side elevational view is identical thereto;

FIG. 4 is a top plan view thereof;

FIG. 5 is a bottom plan view thereof;

FIG. 6 is a perspective view of an alternative embodiment of a tissue box cover with corner grooves formed with smooth, plain surfaces and showing my new design;

FIG. 7 is a front elevational view thereof, it being understood that the undisclosed rear elevational view is identical thereto;

FIG. 8 is a left-side elevational view thereof, it being understood that the undisclosed right-side elevational view is identical thereto;

FIG. 9 is a top plan view thereof; and,

FIG. 10 is a bottom plan view thereof.

**1 Claim, 6 Drawing Sheets**

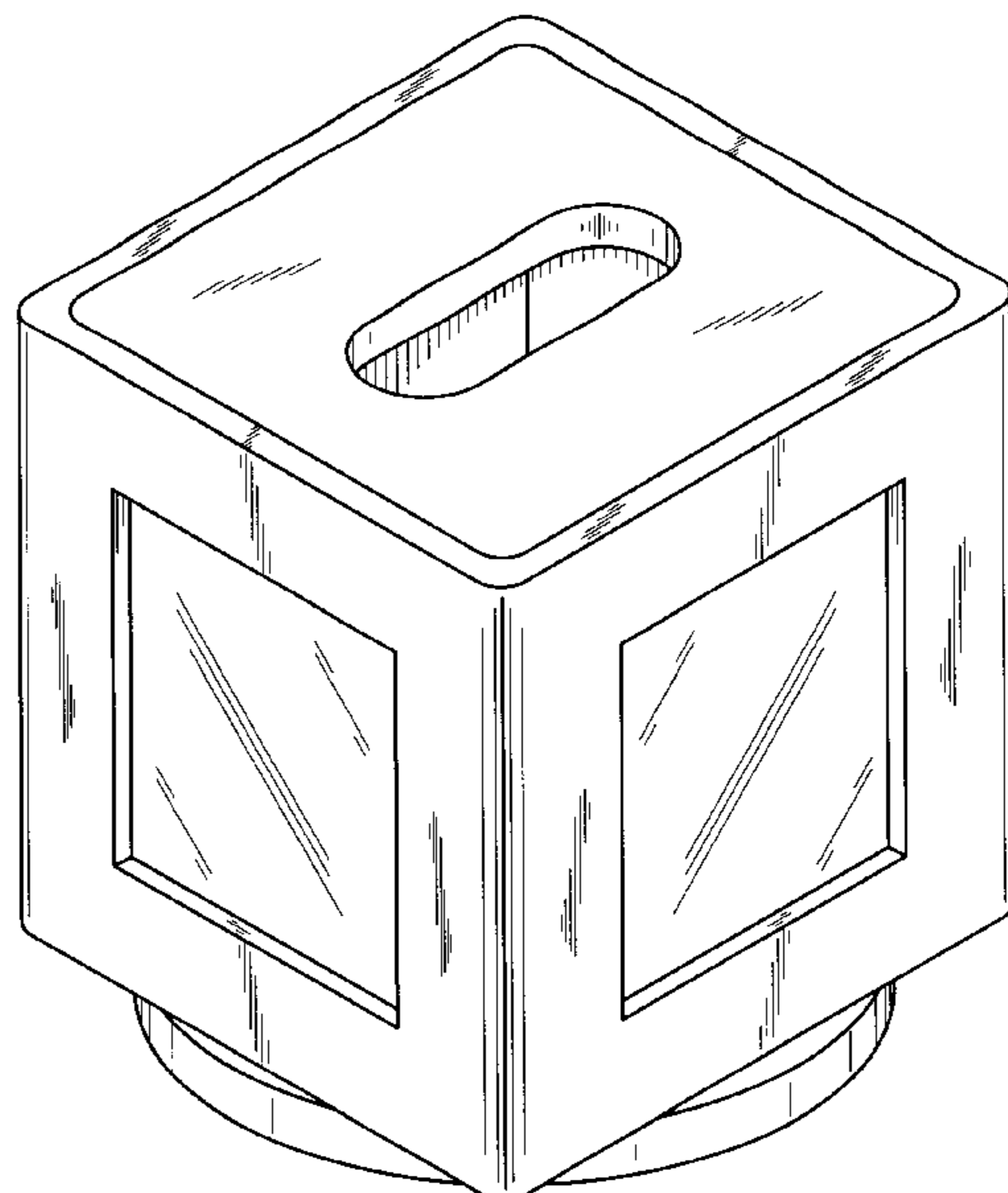
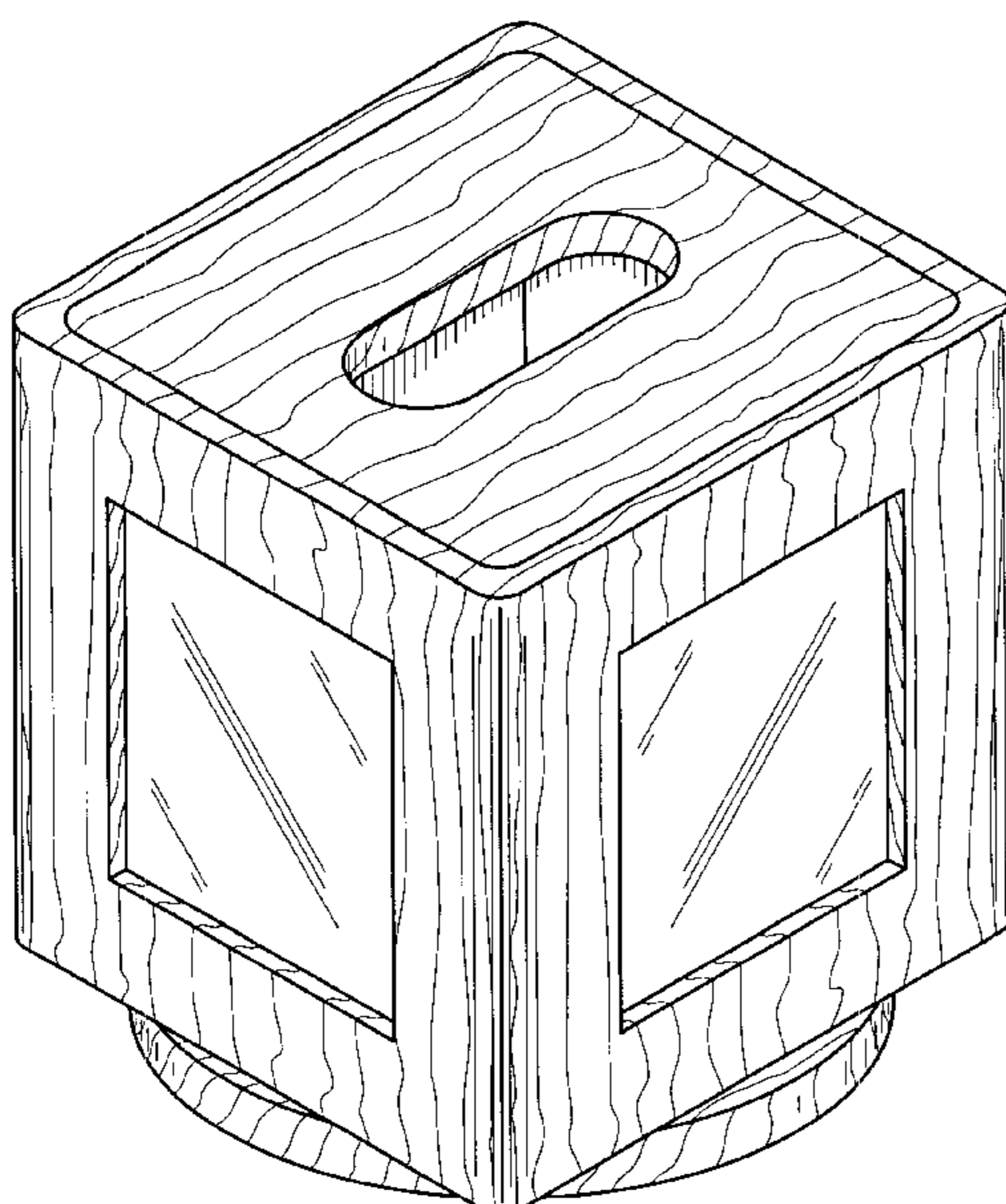


FIG. 1

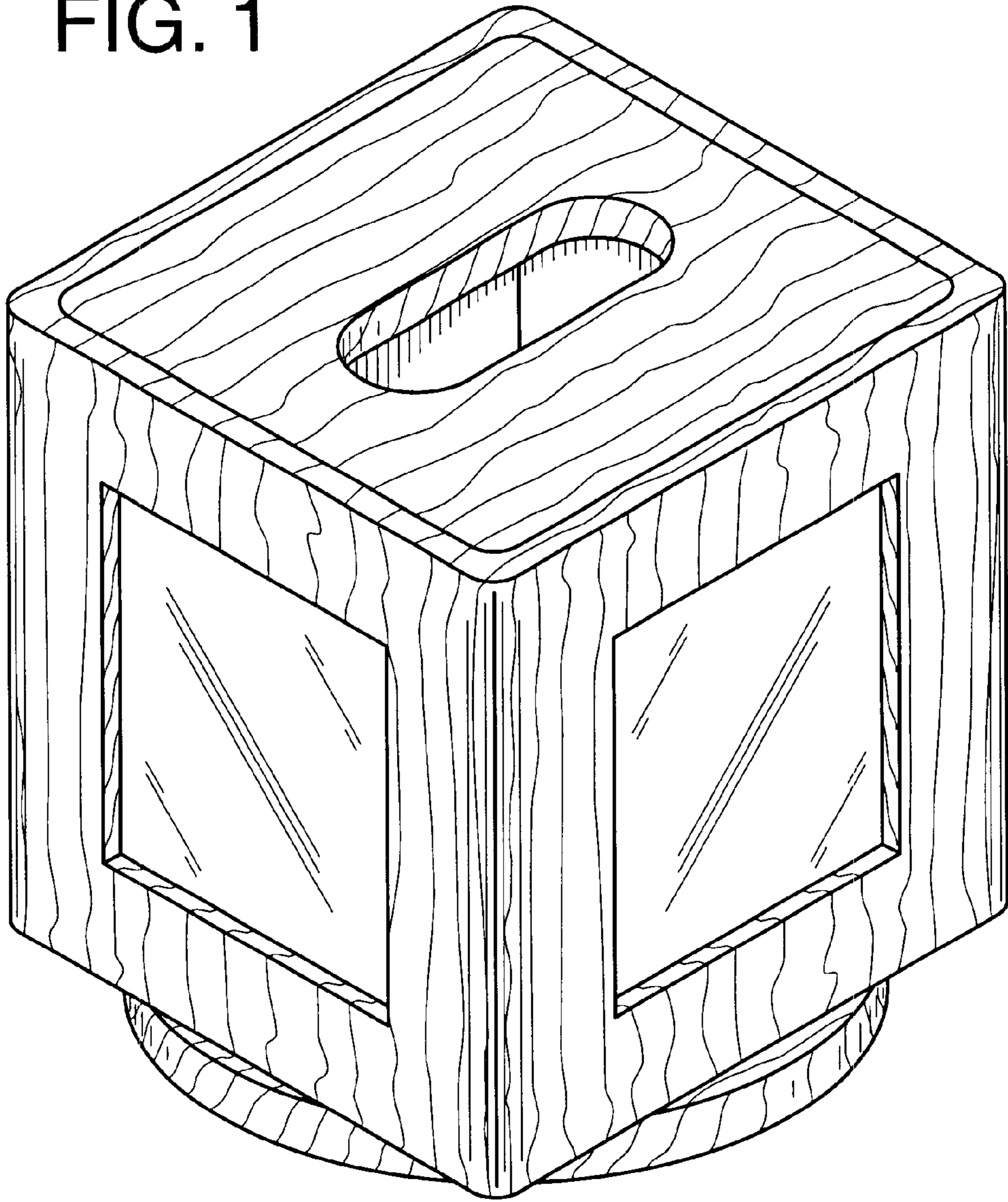


FIG. 3

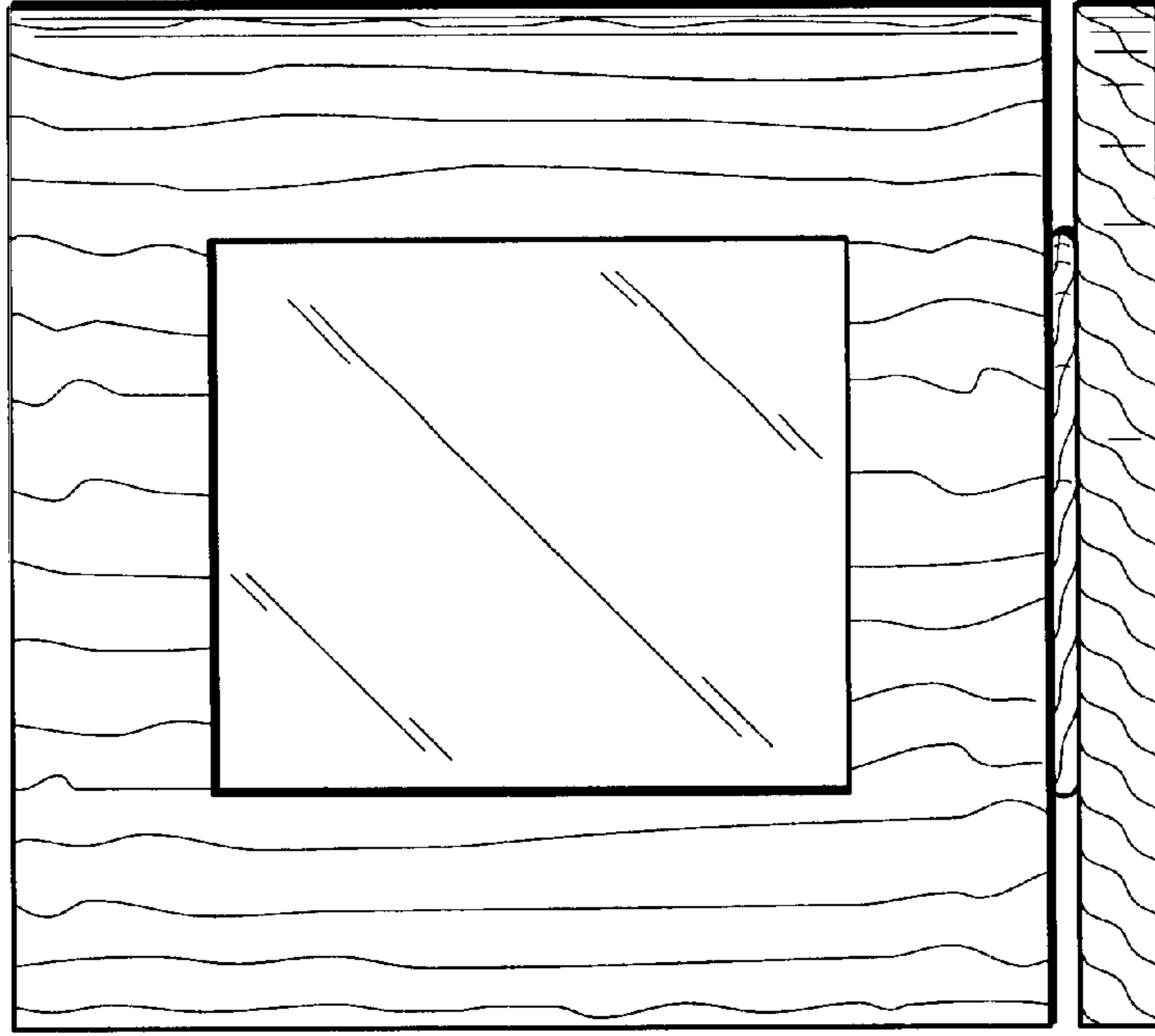


FIG. 2

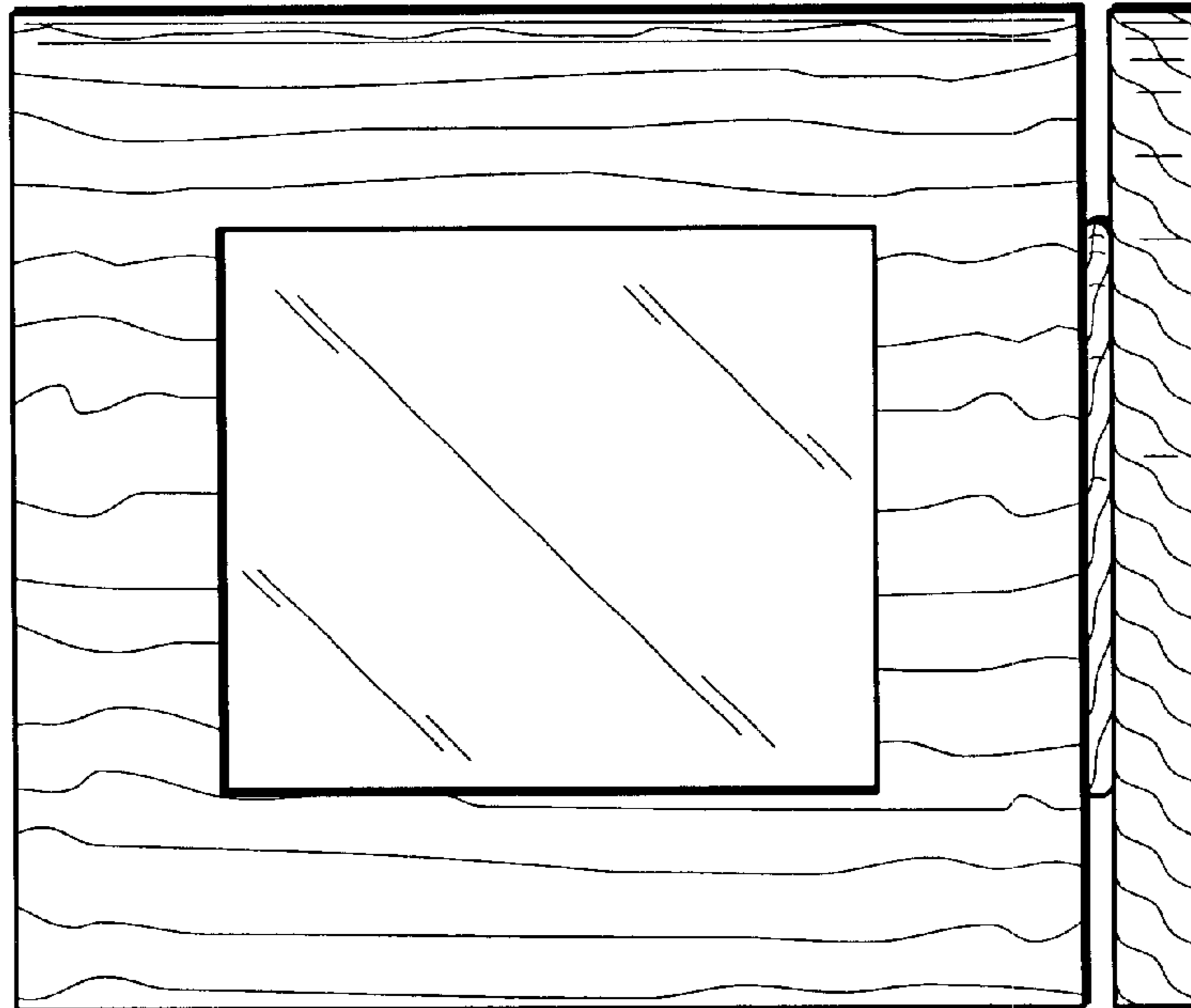


FIG. 4

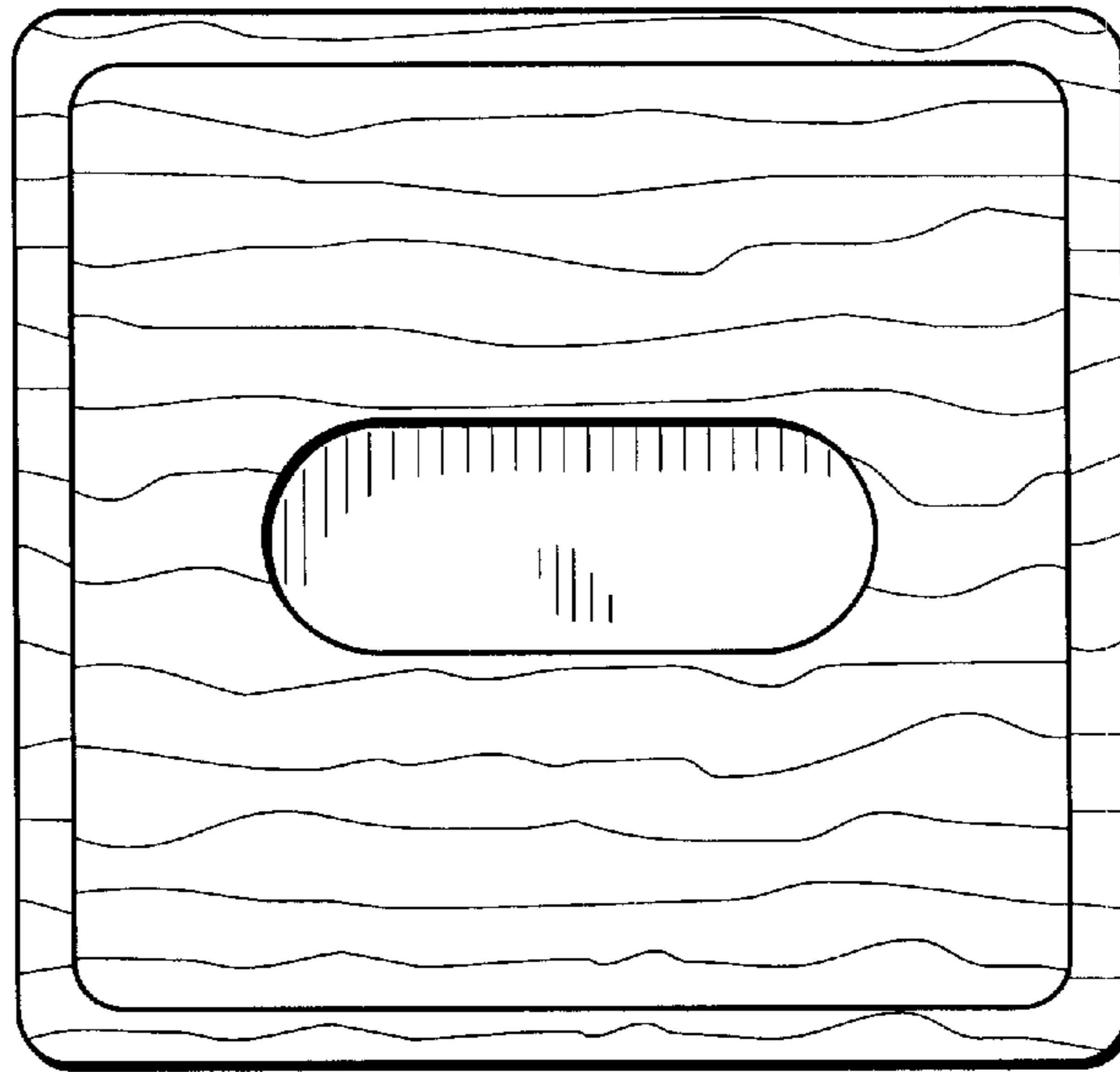


FIG. 5

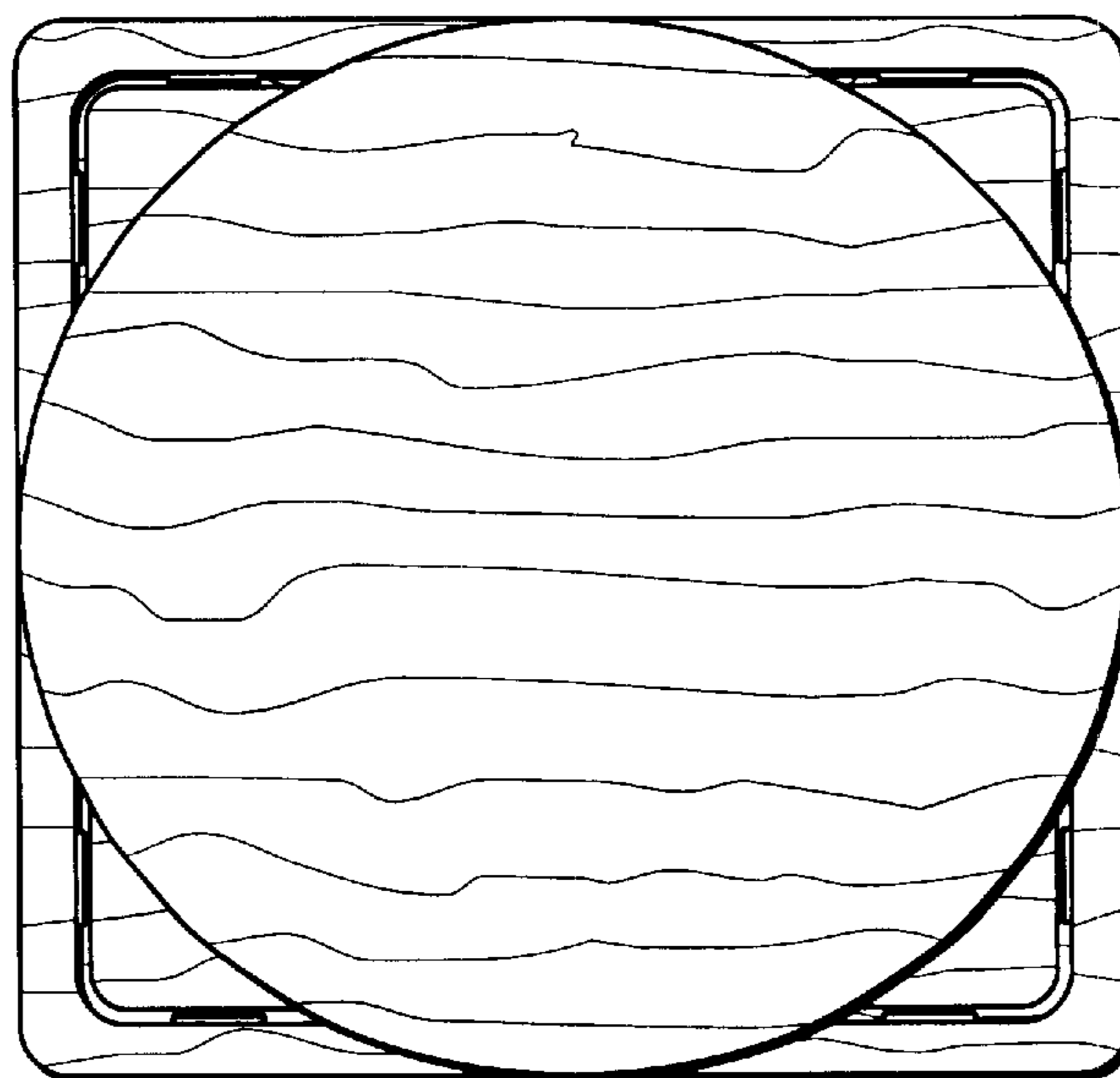


FIG. 6

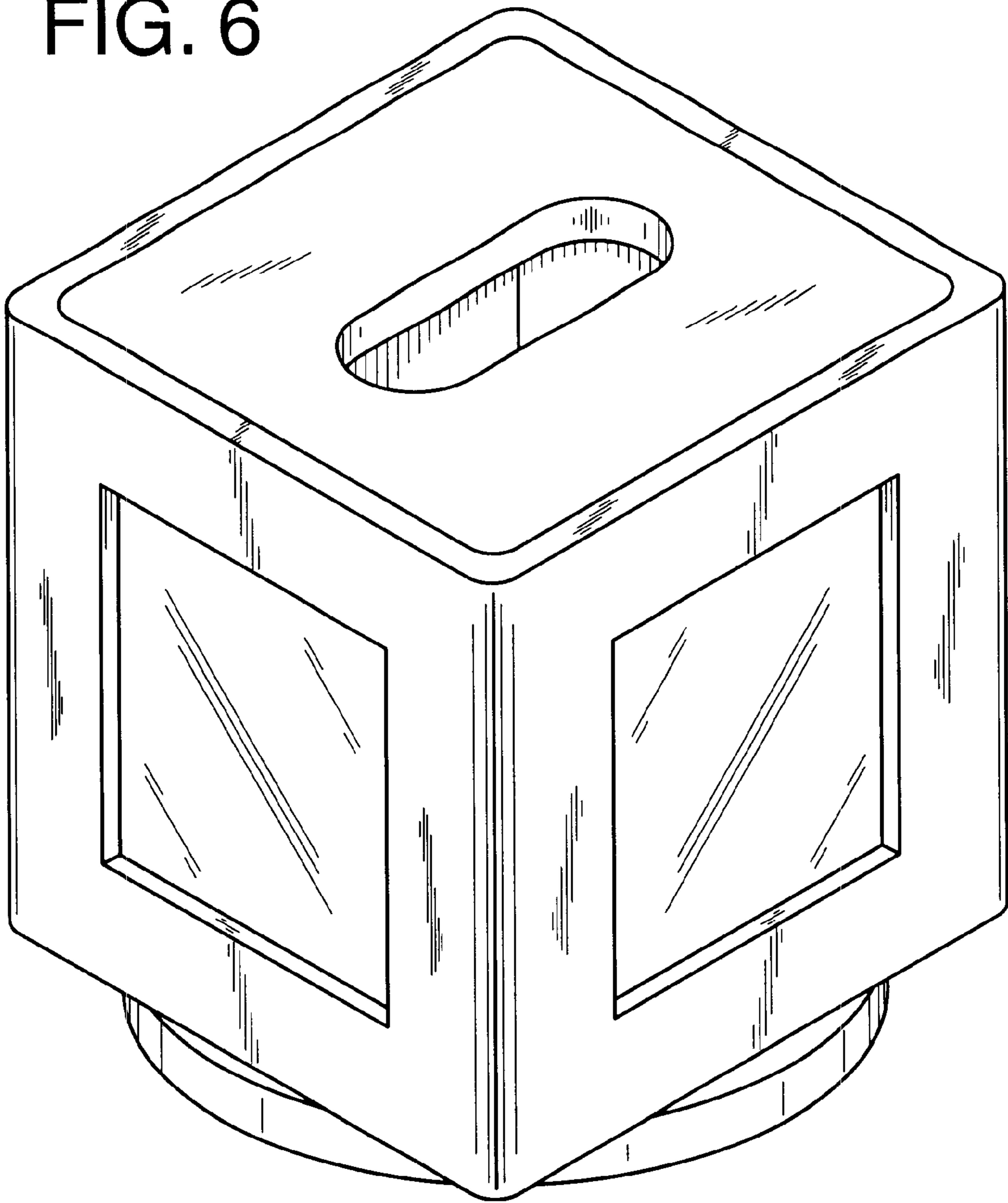


FIG. 8

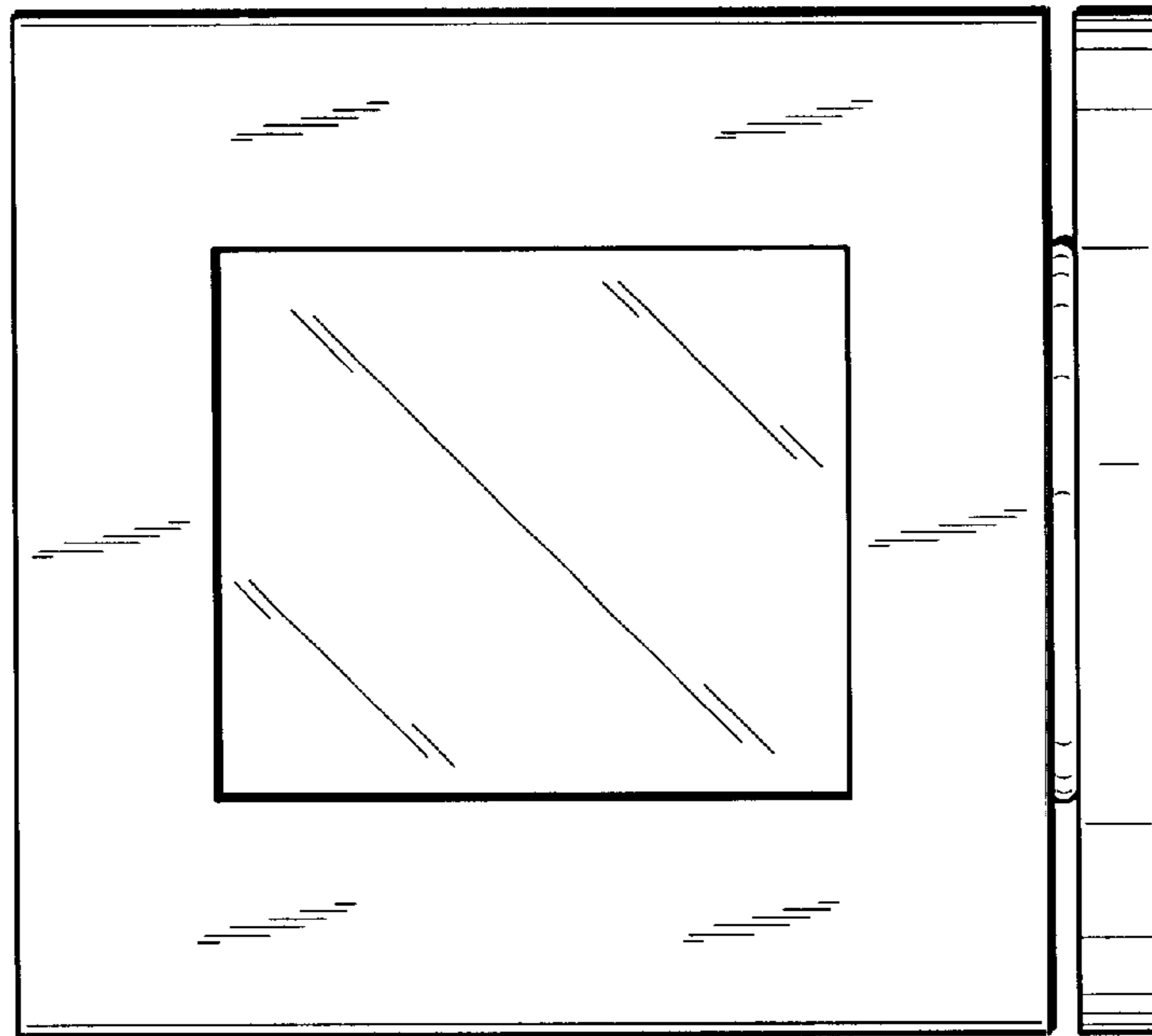


FIG. 7

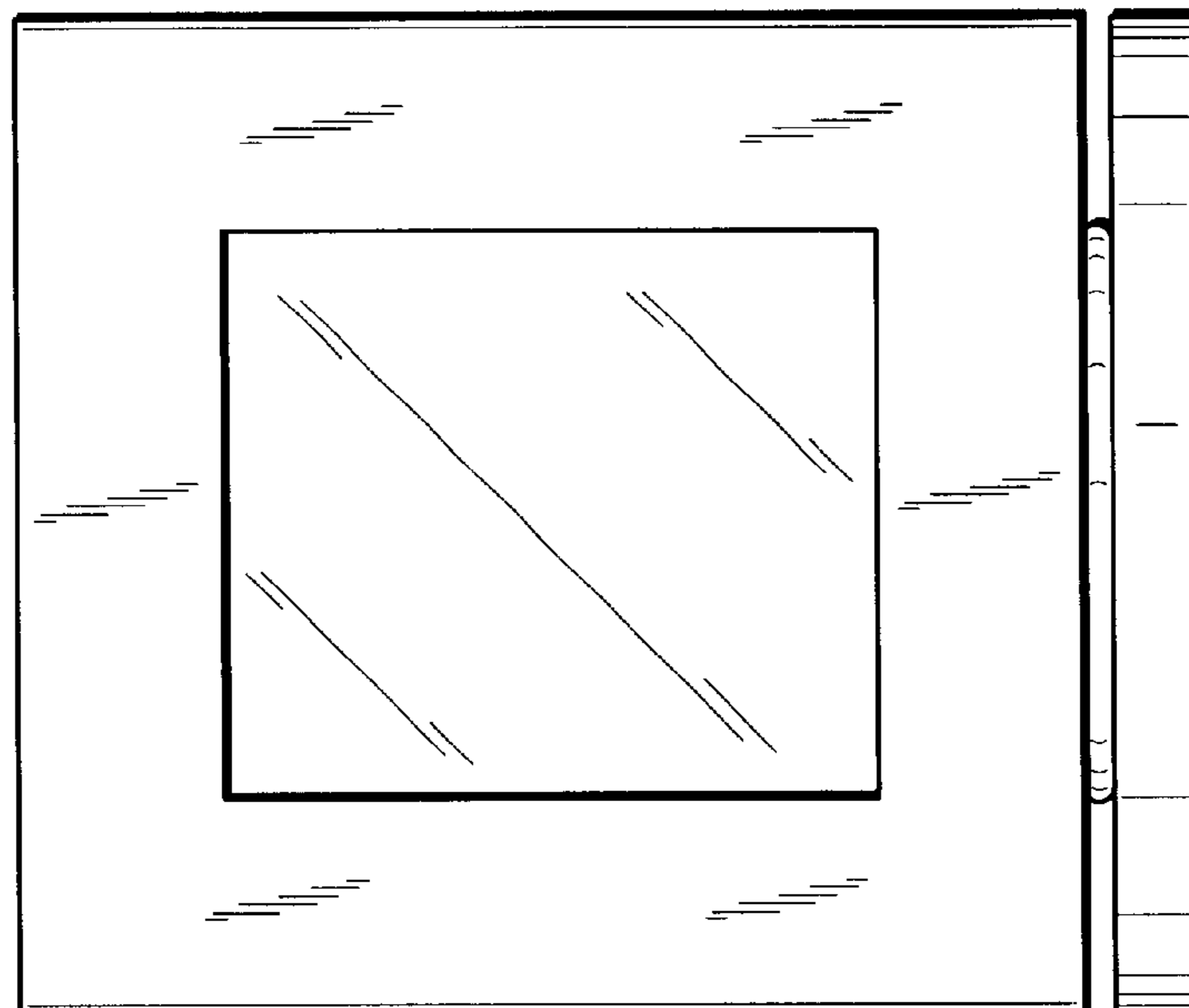


FIG. 9

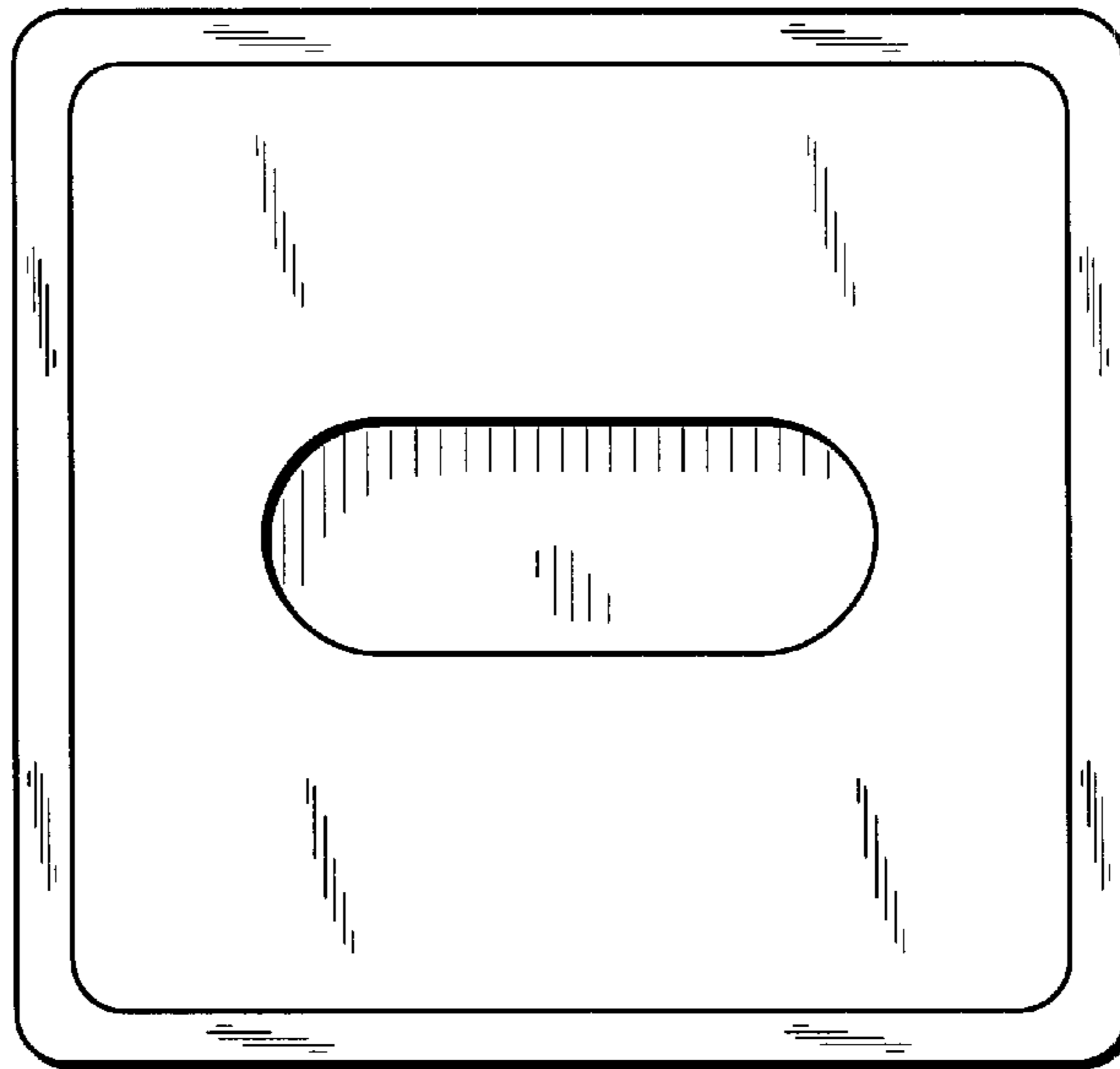


FIG. 10

