



US00D461980S

(12) **United States Design Patent**
Ong

(10) **Patent No.:** **US D461,980 S**

(45) **Date of Patent:** **** Aug. 27, 2002**

(54) **TISSUE BOX COVER WITH TRAPEZOIDAL FACES**

(76) Inventor: **Bon S. Ong**, Box 4247, Torrance, CA (US) 90510

(**) Term: **14 Years**

(21) Appl. No.: **29/153,660**

(22) Filed: **Jan. 14, 2002**

(51) **LOC (7) Cl.** **20-02**

(52) **U.S. Cl.** **D6/518**

(58) **Field of Search** D6/515-523; 312/34.1, 312/34.4; 206/804, 812; 211/13.1, 48, 49; 221/22, 33, 45, 286

(56) **References Cited**

U.S. PATENT DOCUMENTS

| | | | | | |
|-------------|---|---------|--------------|-------|-----------|
| 2,433,587 A | * | 12/1947 | Wentworth | | 206/804 X |
| D201,462 S | * | 6/1965 | Klein | | D6/518 |
| D205,629 S | * | 8/1966 | Hartley | | D6/518 |
| D205,721 S | * | 9/1966 | O'Neil | | D6/518 |
| D208,206 S | * | 8/1967 | Helgeson | | D6/522 |
| D304,651 S | * | 11/1989 | McKee | | D6/520 |
| D334,498 S | * | 4/1993 | Romme et al. | | D6/515 |
| D348,389 S | * | 7/1994 | Nigro | | D6/515 X |
| D371,708 S | * | 7/1996 | Haley et al. | | D6/518 |
| D372,386 S | * | 8/1996 | Kuchenbecker | | D6/518 |
| D372,387 S | * | 8/1996 | Kuchenbecker | | D6/518 |
| D390,391 S | * | 2/1998 | Hsu | | D6/518 |
| D403,189 S | * | 12/1998 | Isaacson | | D6/518 |
| D424,342 S | * | 5/2000 | Pasquale | | D6/518 X |
| D436,273 S | * | 1/2001 | Lange | | D6/519 |

OTHER PUBLICATIONS

Ma Leck Catalogue (1980) p. 31, Tissue Box Covers ML 1550.

* cited by examiner

Primary Examiner—Brian N. Vinson
(74) *Attorney, Agent, or Firm*—Charles H. Thomas

(57) **CLAIM**

I claim the ornamental design for the article tissue box cover with trapezoidal faces, as shown and described.

DESCRIPTION

FIG. 1 is a perspective view of one embodiment of a tissue box cover with trapezoidal faces having wood grain surface appearances and illustrating my new design;

FIG. 2 is a front elevational view thereof, it being understood that the undisclosed rear elevational view is identical thereto;

FIG. 3 is a left-side elevational view thereof, it being understood that the undisclosed right-side elevational view is identical thereto;

FIG. 4 is a top plan view thereof;

FIG. 5 is a bottom plan view thereof;

FIG. 6 is a perspective view of an alternative embodiment of a tissue box cover with trapezoidal faces formed with smooth, plain surfaces and showing my new design;

FIG. 7 is a front elevational view thereof, it being understood that the undisclosed rear elevational view is identical thereto;

FIG. 8 is a left-side elevational view thereof, it being understood that the undisclosed right-side elevational view is identical thereto;

FIG. 9 is a top plan view thereof;

FIG. 10 is a bottom plan view thereof; and,

FIG. 11 is a sectional detail taken along the lines 11—11 of FIG. 7 that shows the surface contour of the periphery of all the faces of my design of a tissue box cover with trapezoidal faces.

1 Claim, 7 Drawing Sheets

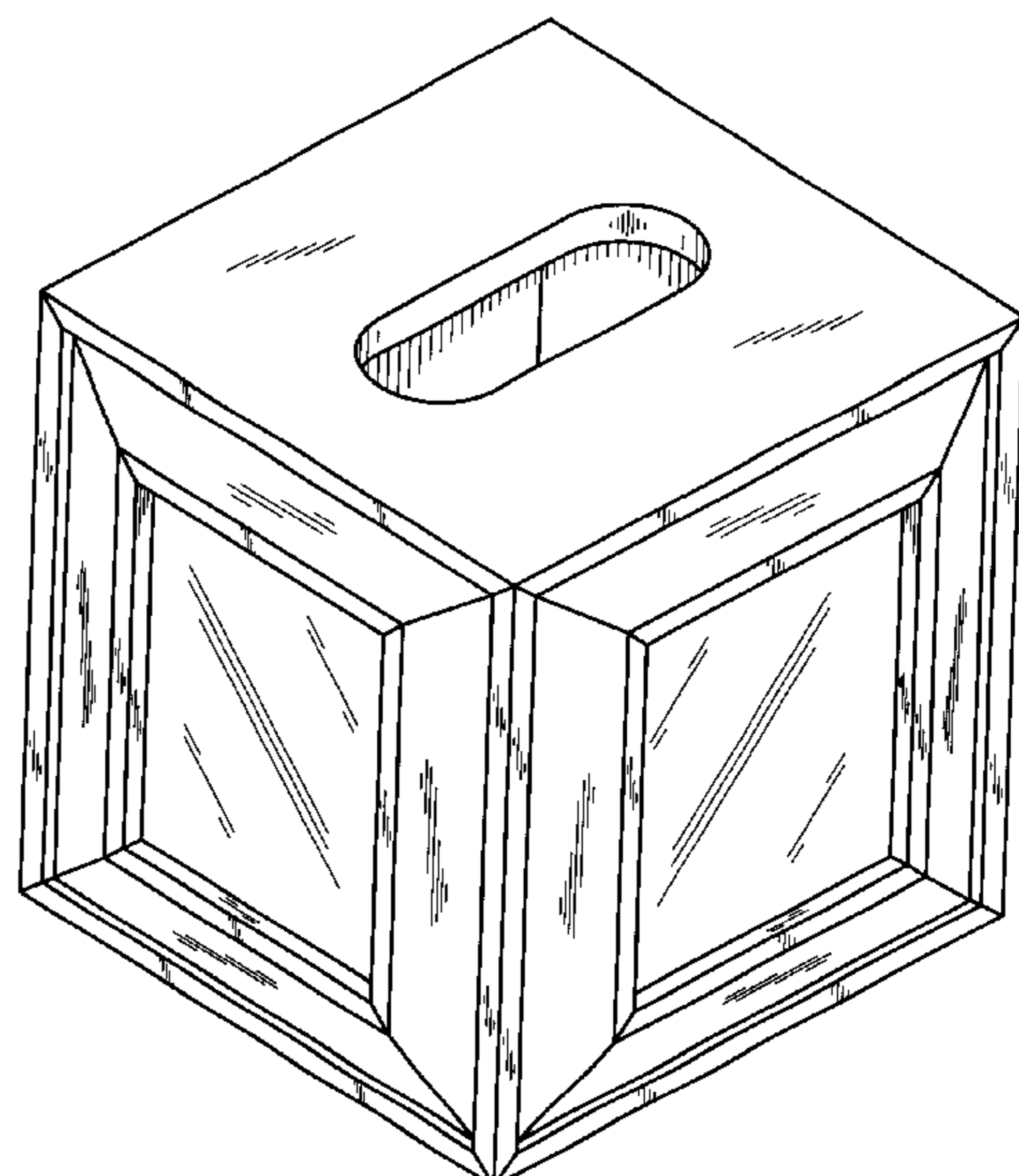
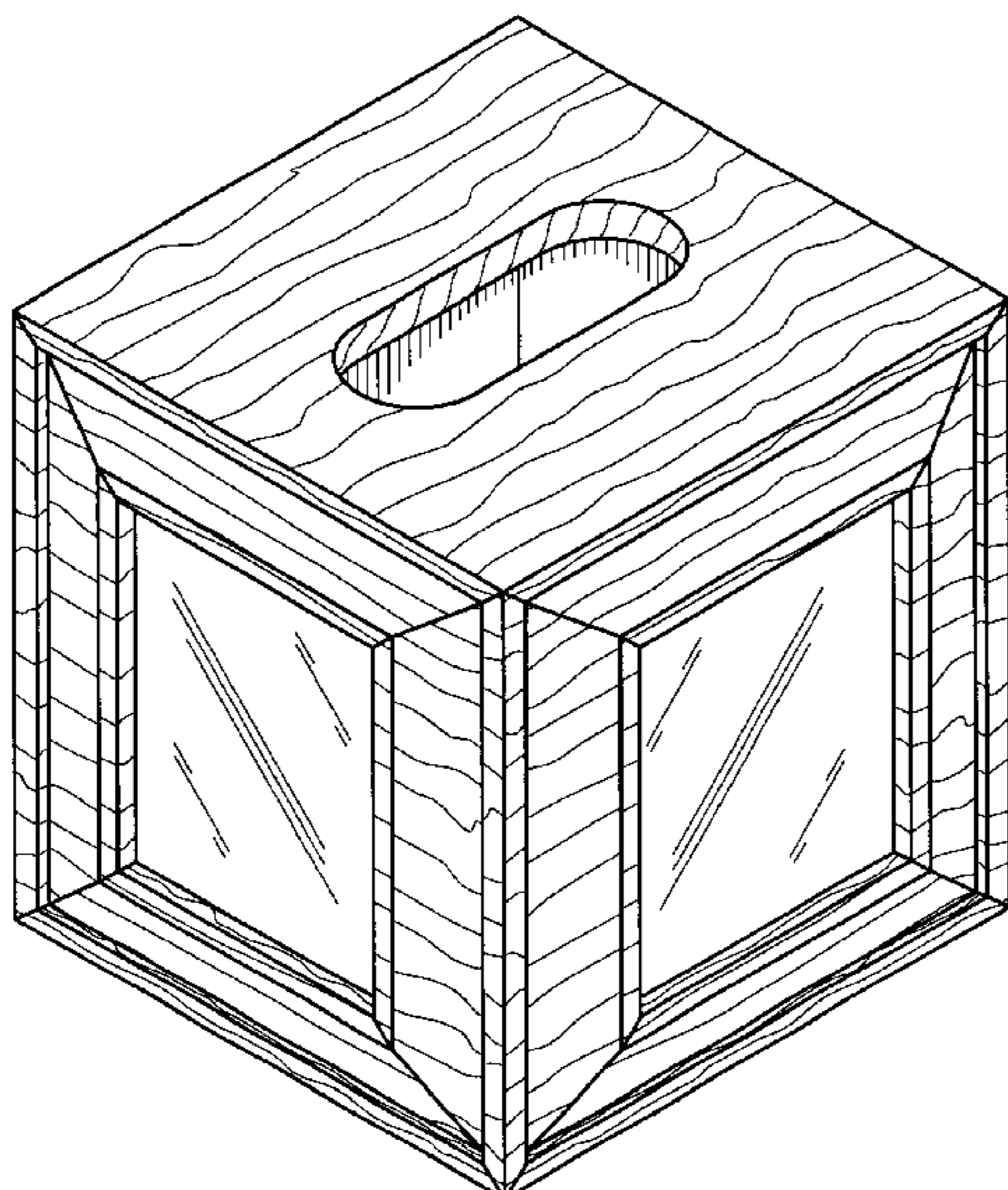


FIG. 1

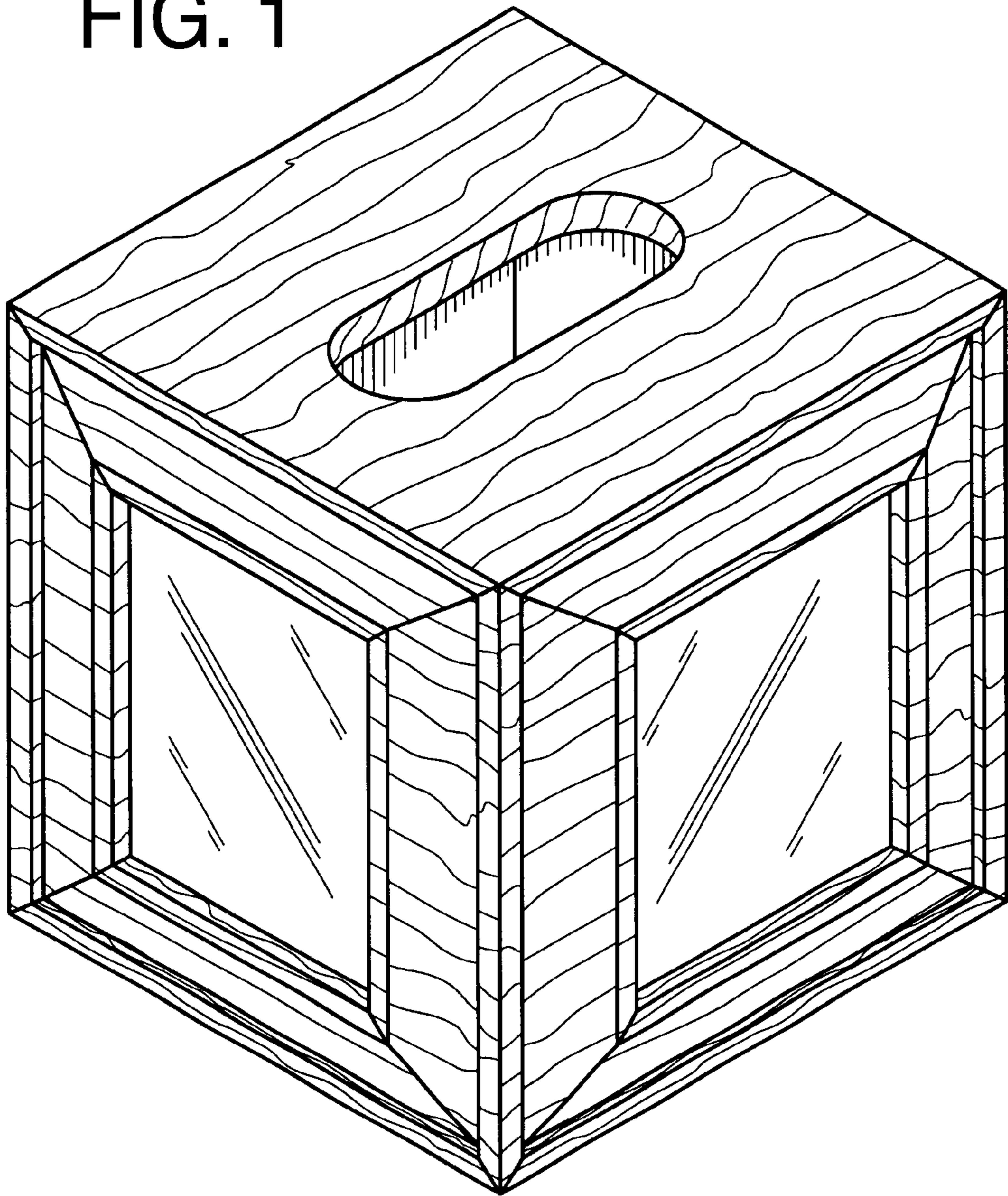


FIG. 3

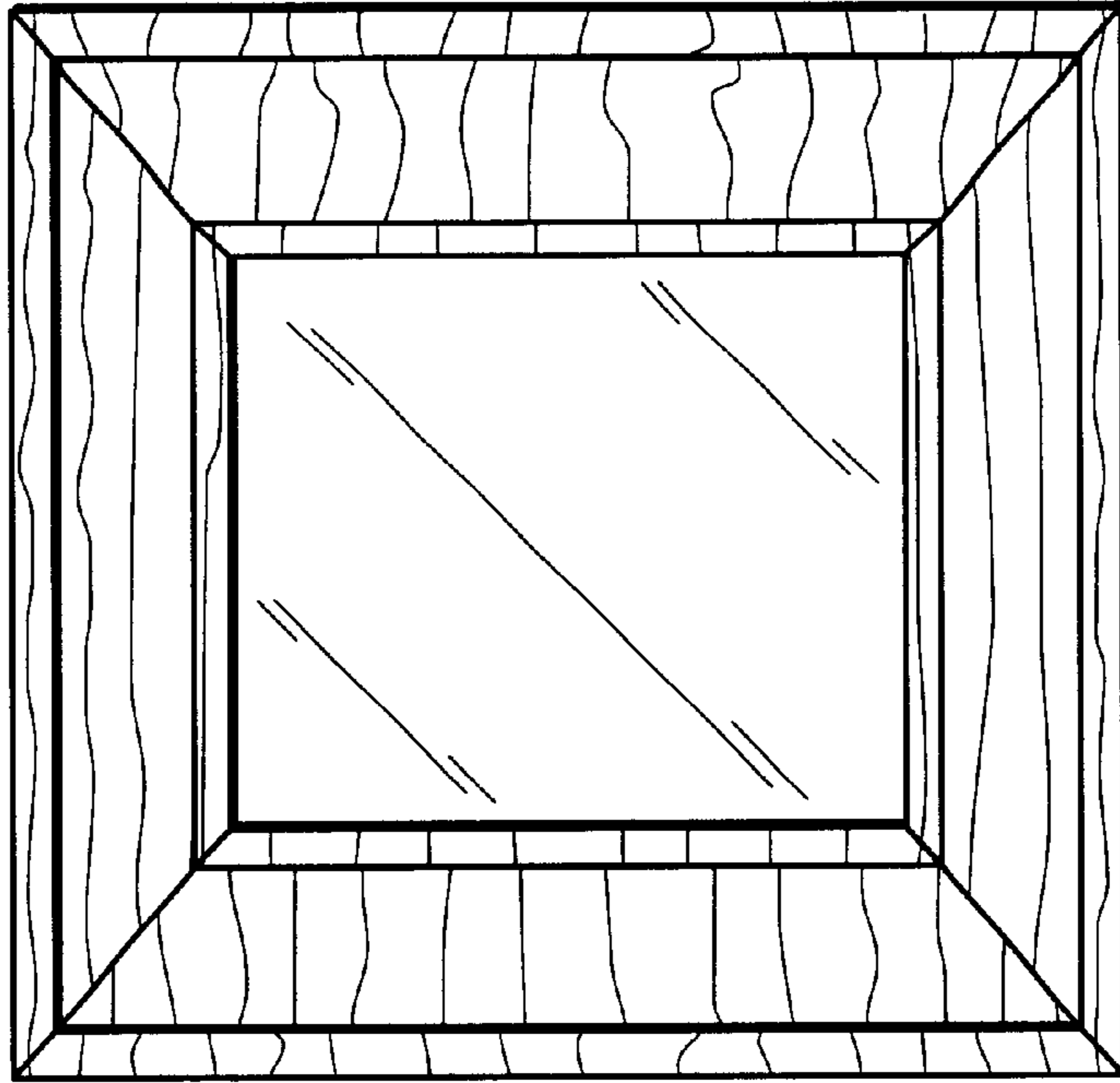


FIG. 2

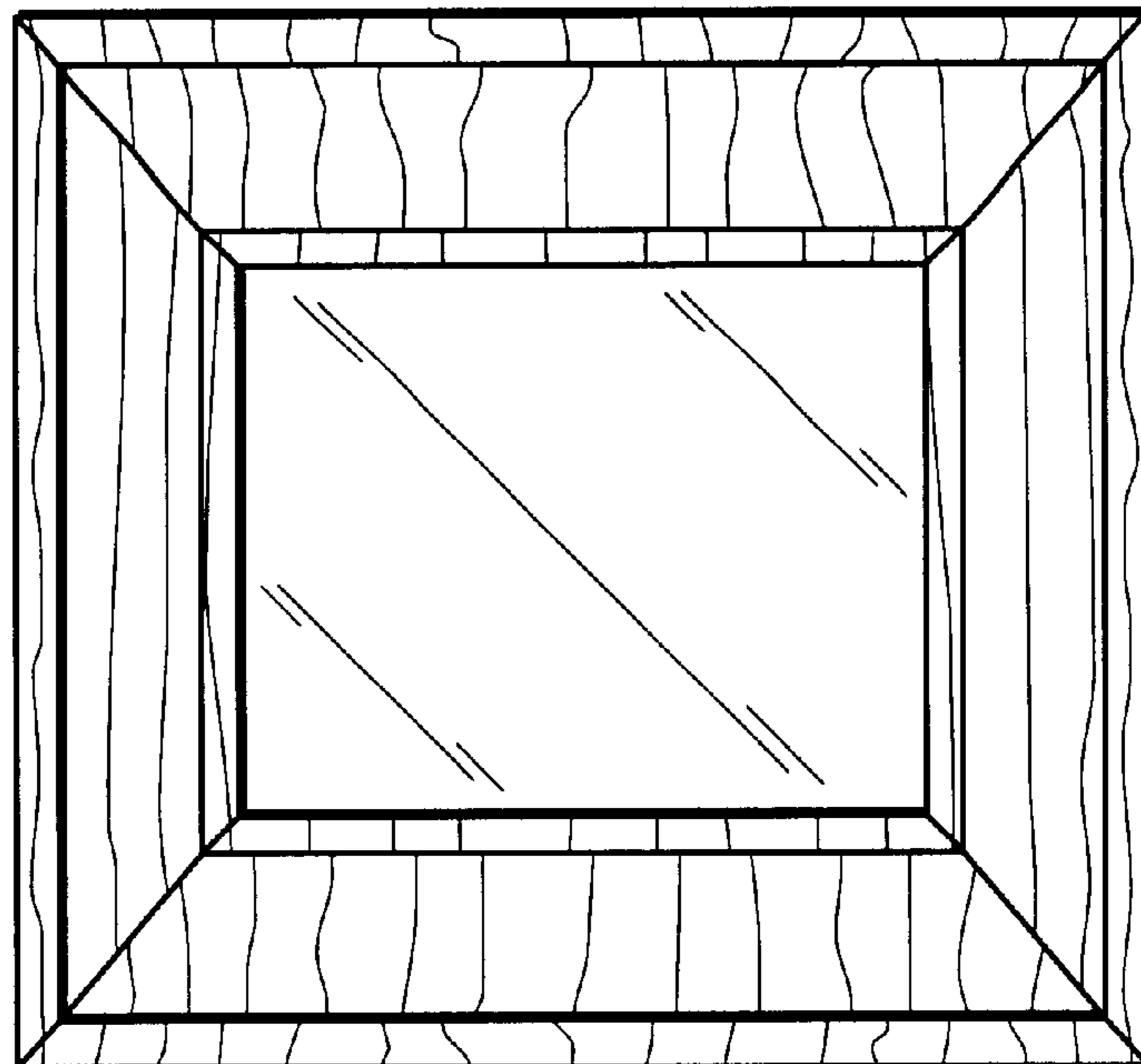


FIG. 4

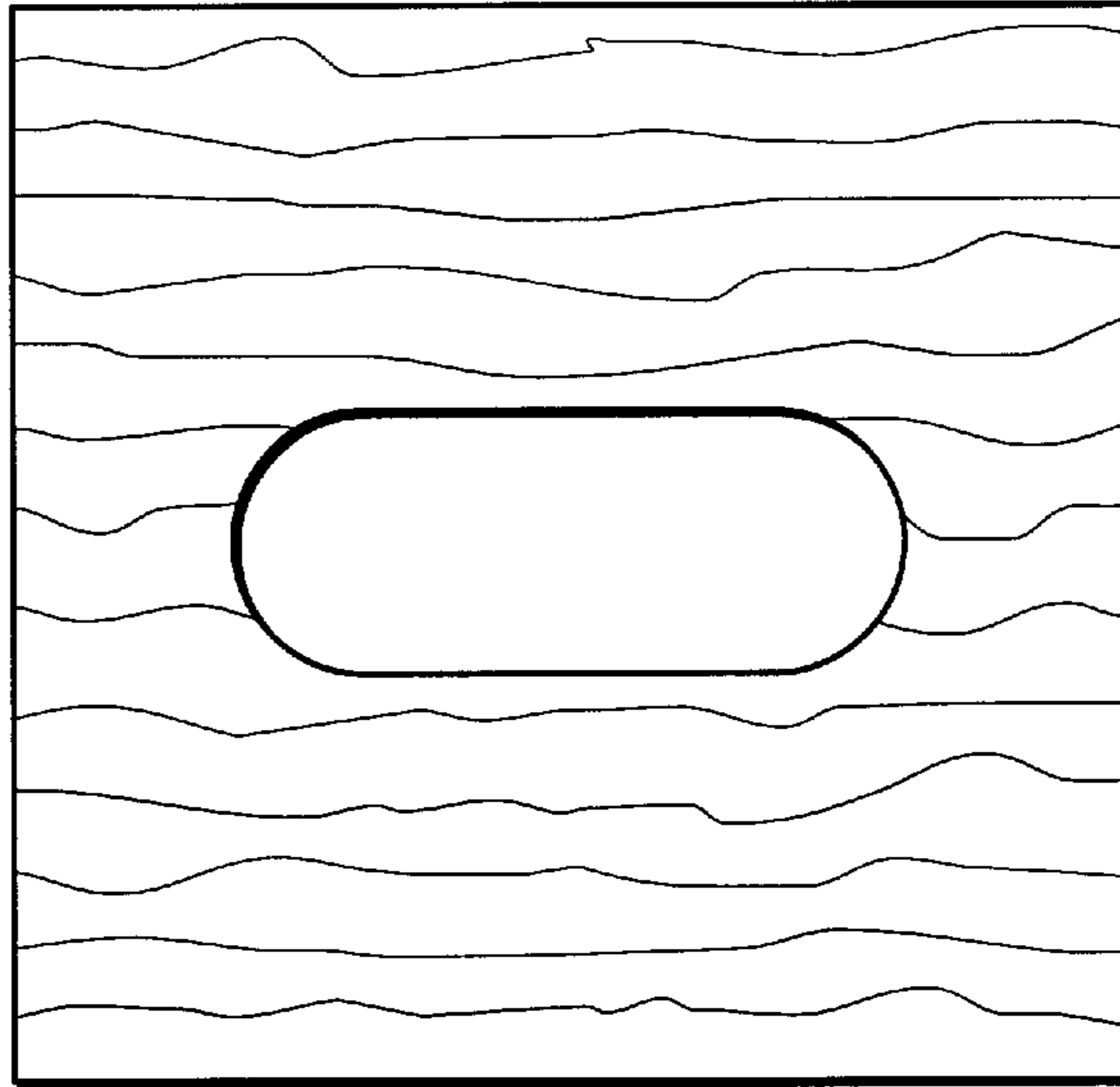


FIG. 5

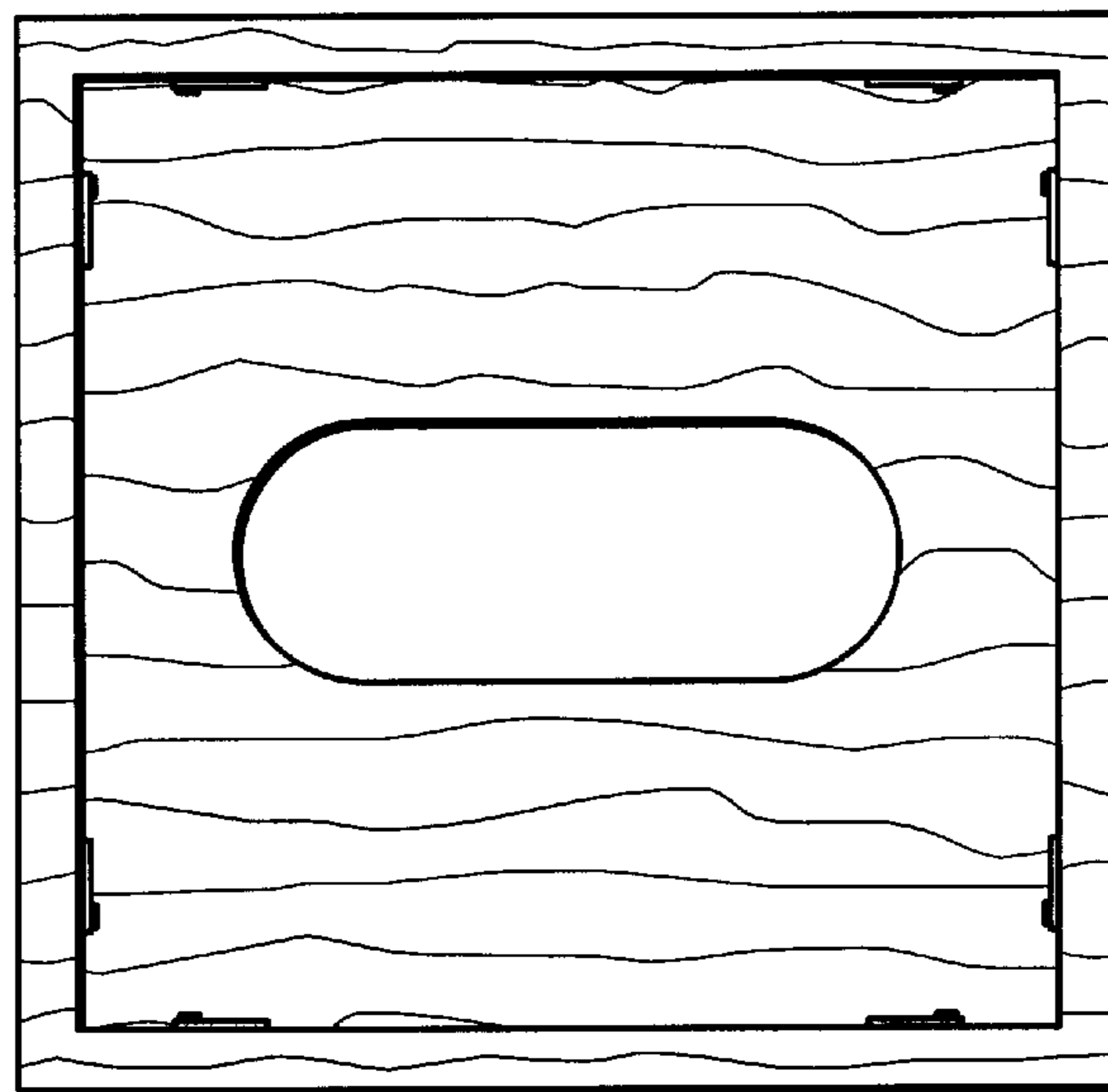


FIG. 6

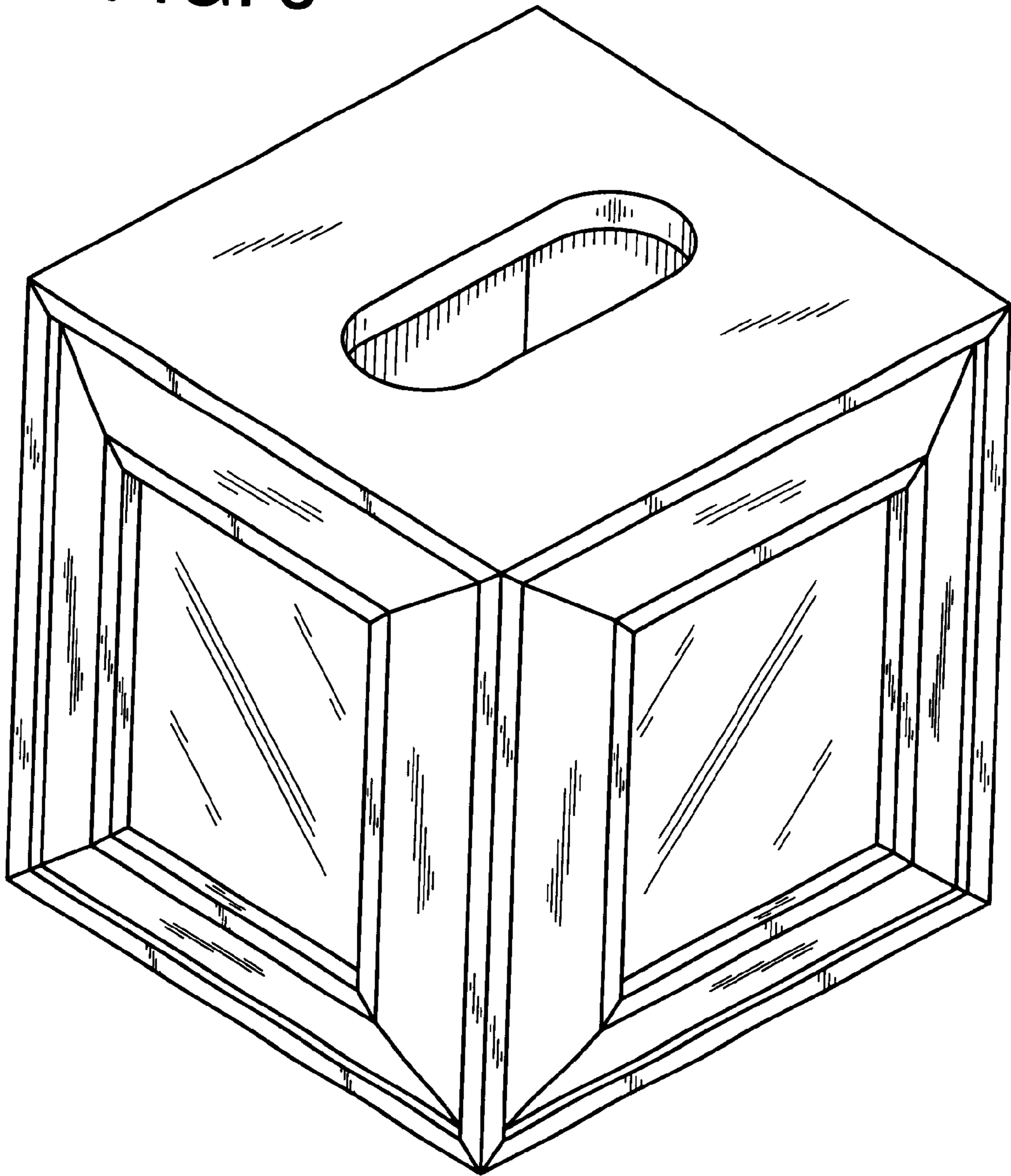


FIG. 8

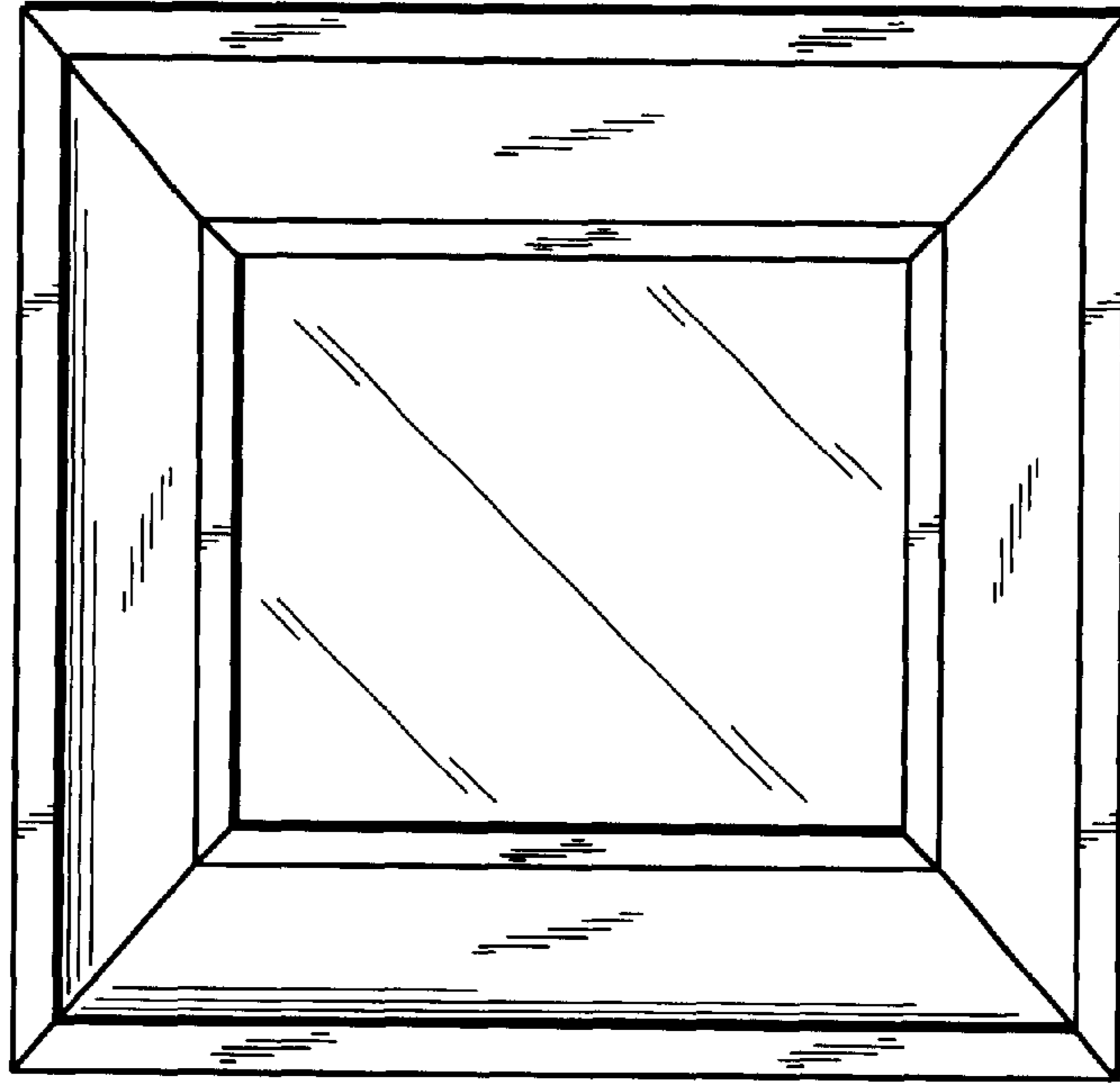


FIG. 7

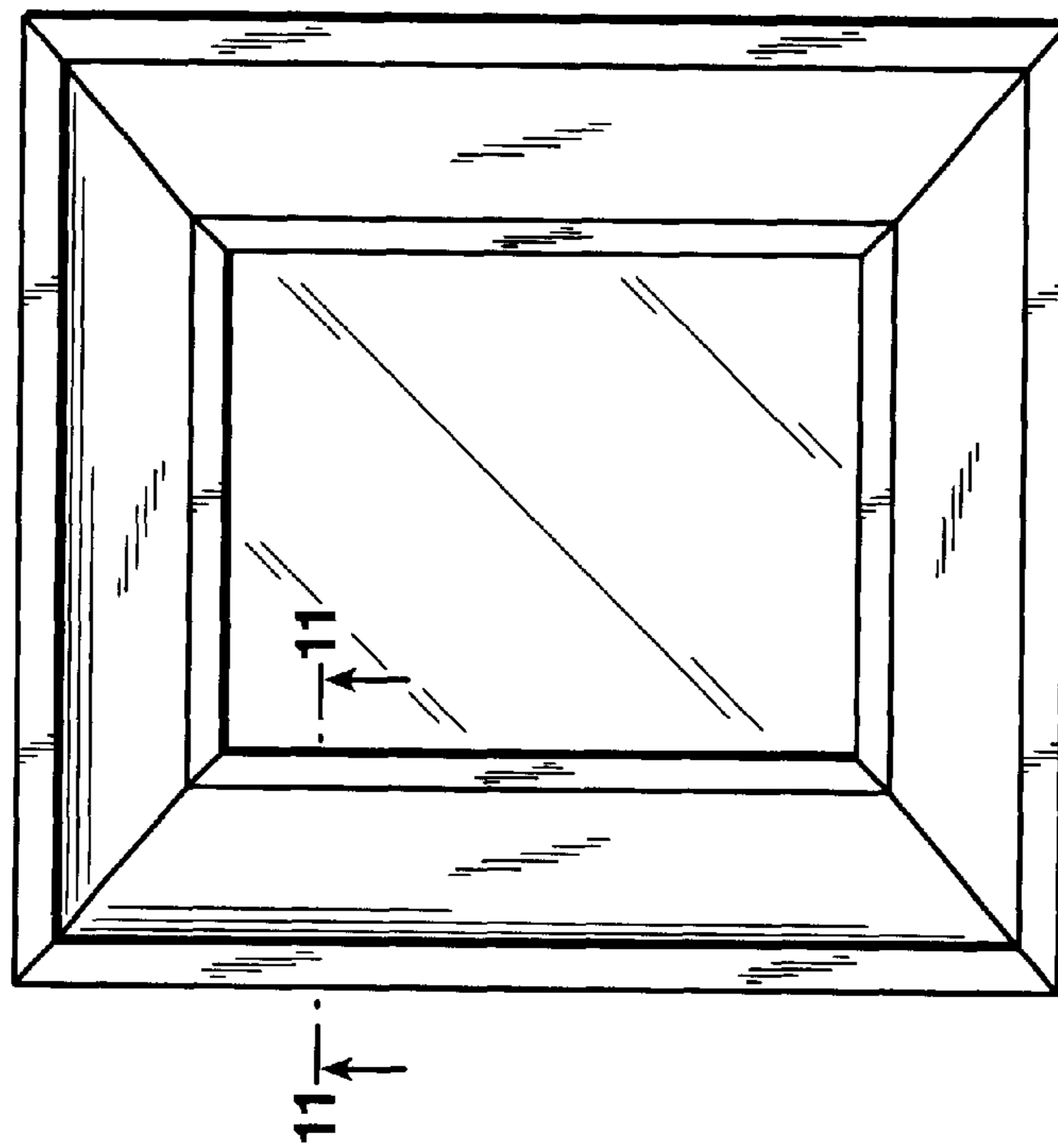


FIG. 9

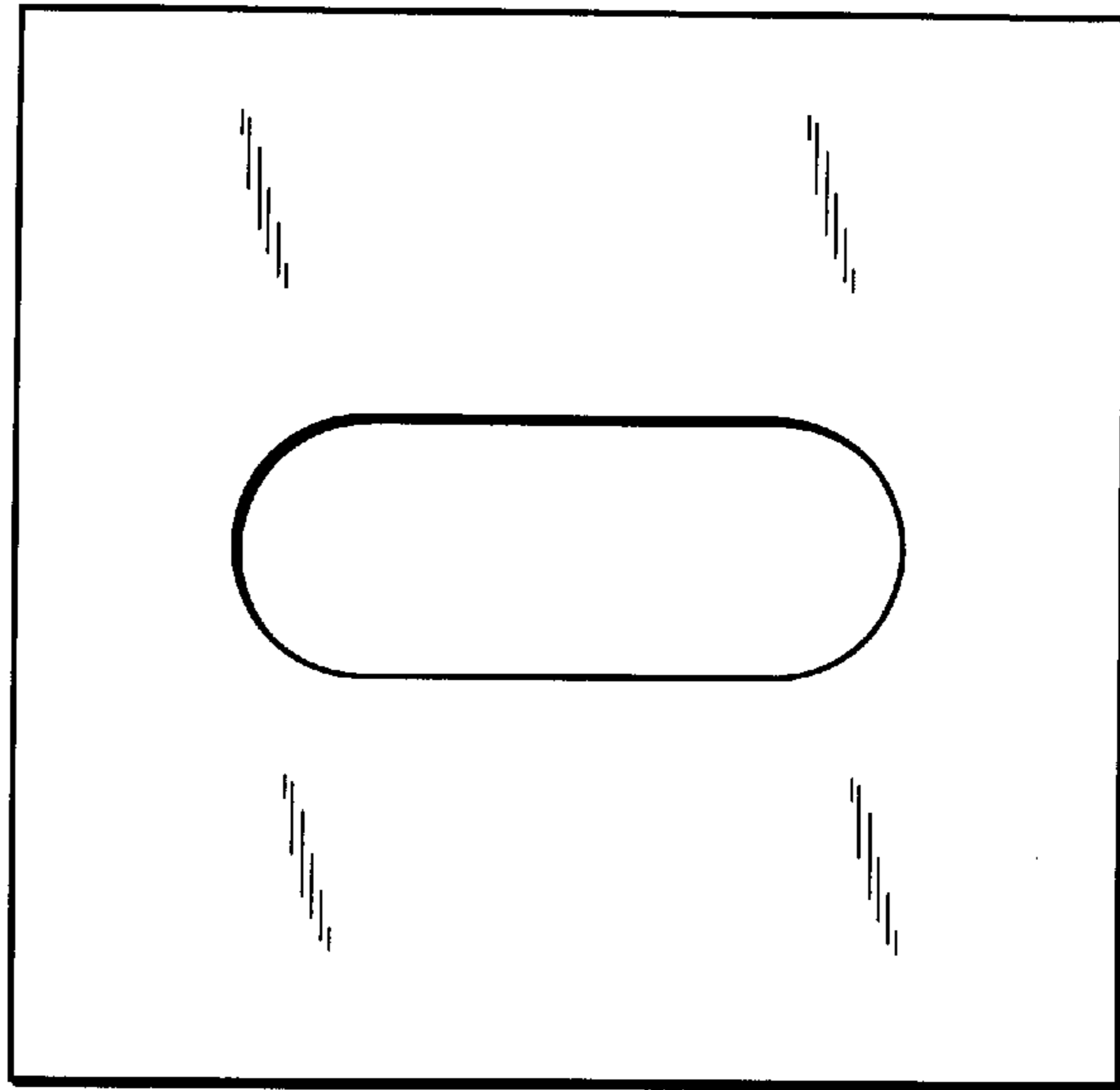


FIG. 10

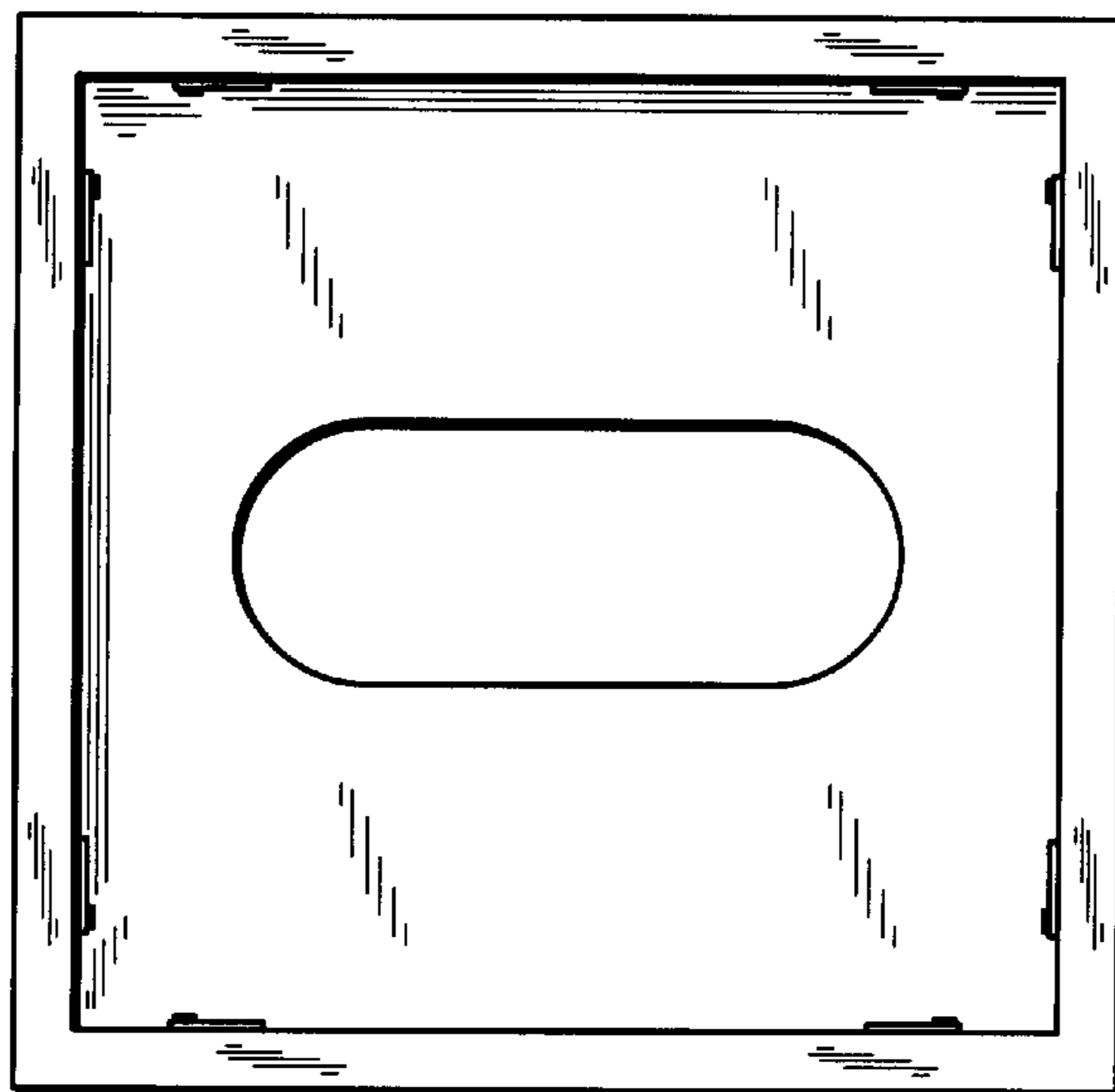


FIG. 11

