



US00D461977S

(12) **United States Design Patent**
Mitchell

(10) **Patent No.:** **US D461,977 S**

(45) **Date of Patent:** **** Aug. 27, 2002**

(54) **MUSIC STAND COVER**

(76) Inventor: **Paul Martin Mitchell**, 2508 Brown Rd., Ferndale, WA (US) 98248

(**) Term: **14 Years**

(21) Appl. No.: **29/152,140**

(22) Filed: **Dec. 14, 2001**

(51) **LOC (7) Cl.** **06-06**

(52) **U.S. Cl.** **D6/509**; D6/419; D6/491

(58) **Field of Search** D6/449, 455, 457, D6/466, 470, 471, 472, 475; 312/107, 114, 117, 138.1, 204, 234

(56) **References Cited**

U.S. PATENT DOCUMENTS

D107,883 S	*	1/1938	Noel	D6/475
D141,059 S	*	5/1945	Siegel	D19/91 X
D186,672 S	*	11/1959	Gilruth	D6/475
3,086,658 A	*	4/1963	Palmer	211/50
3,809,352 A	*	5/1974	Mathias	248/444.1
D241,393 S	*	9/1976	Regis	D6/300
D278,109 S	*	3/1985	Leeds	D6/419
D285,152 S	*	8/1986	Smith	D6/449
D311,035 S	*	10/1990	Ahola	D21/392
D321,293 S	*	11/1991	Kucsak	D6/419
D329,762 S	*	9/1992	Weeks	D6/419
D330,649 S	*	11/1992	Lemire	D6/466
D384,655 S	*	10/1997	Knoop	D14/114
D412,074 S	*	7/1999	DeWitt	D6/466
D424,330 S	*	5/2000	DeWitt	D6/466

OTHER PUBLICATIONS

Display Innovations in Acrylic Catalogue, Slatwall Display, p. 20, 1987.*

Display Innovations in Acrylic Catalogue, Sign Holder for Square Tubing, p. 3, 1987.*

Studio Specialists Ltd., Shirt Easel, 1987.*

* cited by examiner

Primary Examiner—Cathron C. Brooks

(74) *Attorney, Agent, or Firm*—Robert B. Hughes; Hughes Law Firm, PLLC

(57) **CLAIM**

The ornamental design for a music stand cover, as shown and described.

DESCRIPTION

FIG. 1 is an isometric view of the present invention, showing the present invention in full lines and the music stand for which the invention is used shown in dotted lines;

FIG. 2 is a side elevational view of the present invention without showing the music stand;

FIG. 3 is a front elevational view thereof;

FIG. 4 is a side view taken from a side of the present invention opposite to that shown in FIG. 2;

FIG. 5 is a rear view of the present invention;

FIG. 6 is a top view of the present invention; and,

FIG. 7 is a bottom view thereof.

1 Claim, 3 Drawing Sheets

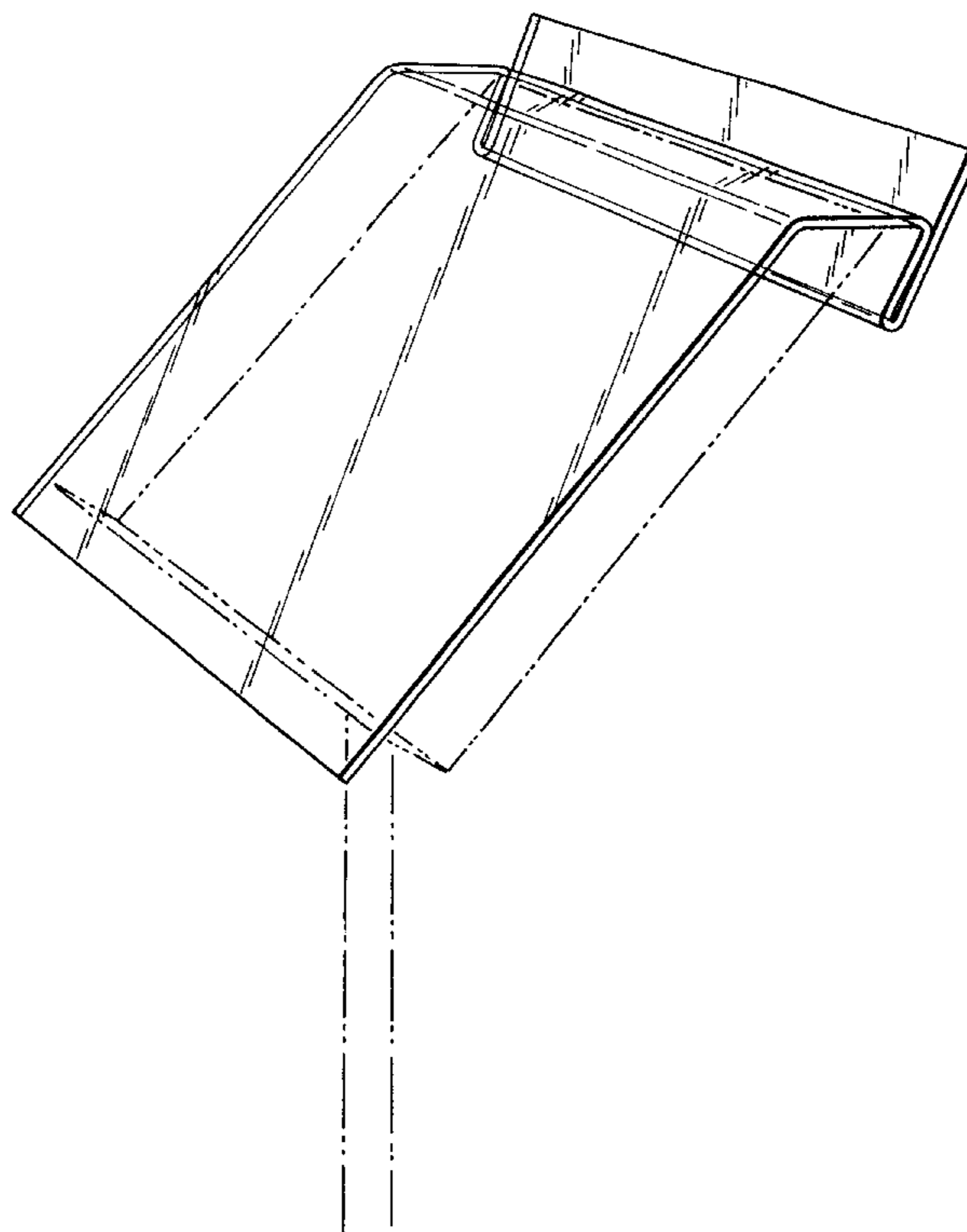


FIG. 1

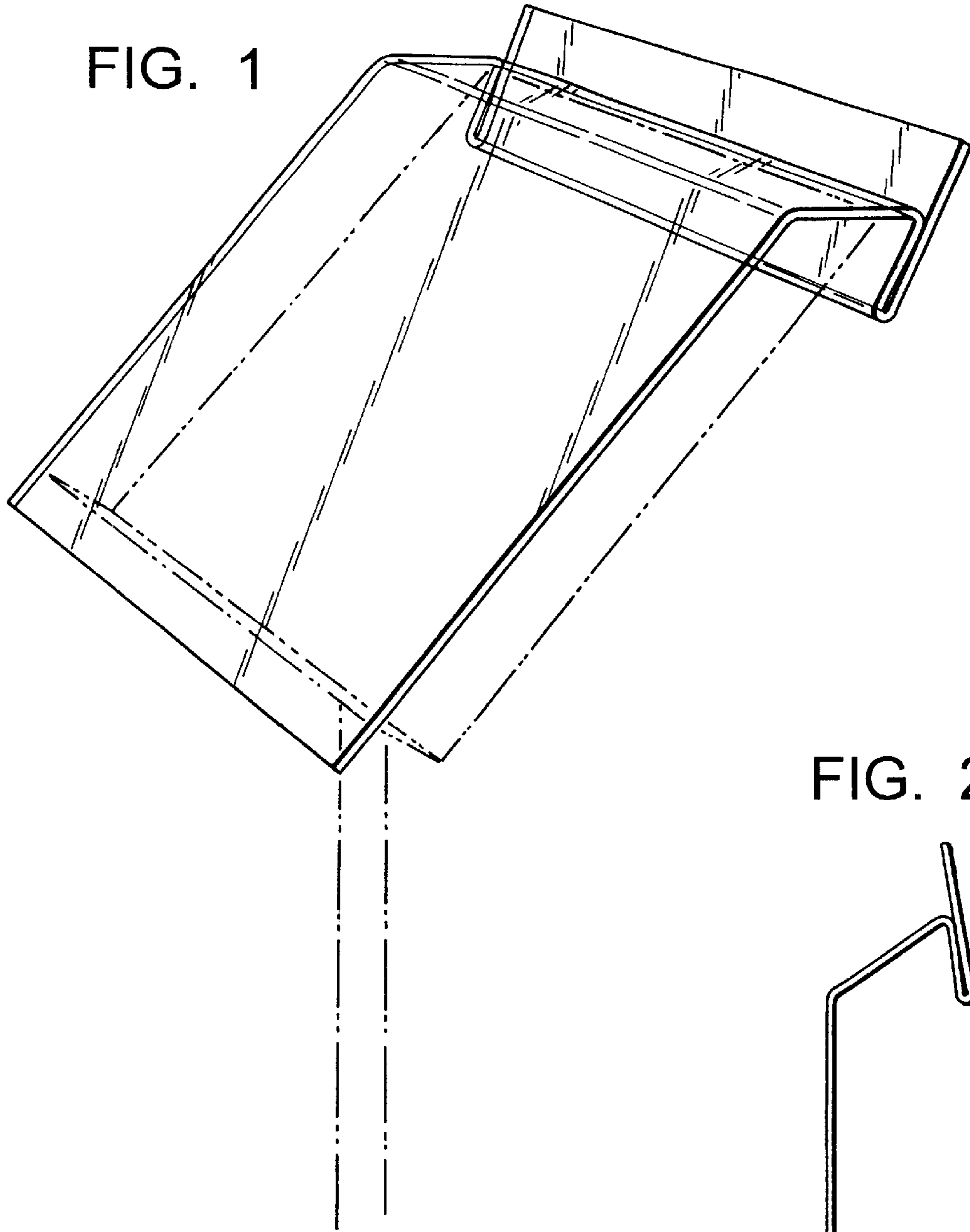


FIG. 2

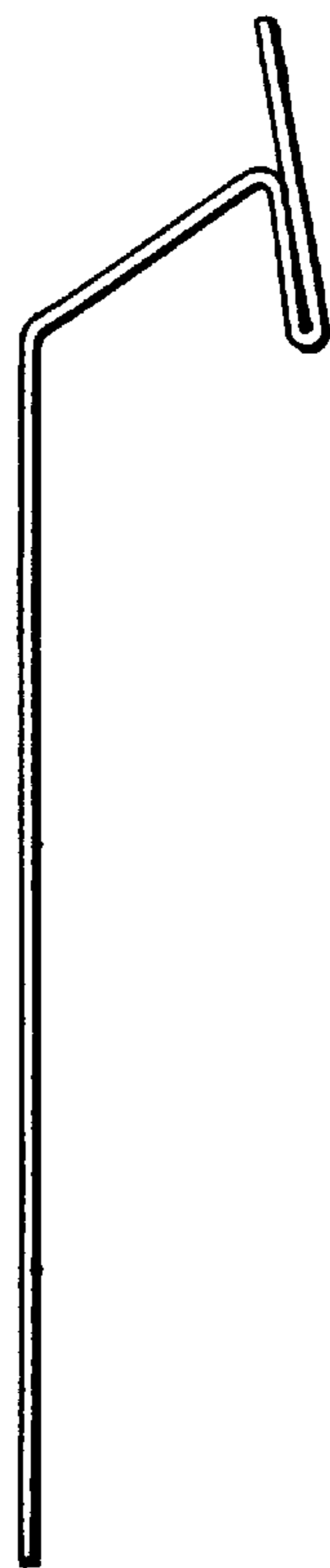


FIG. 3

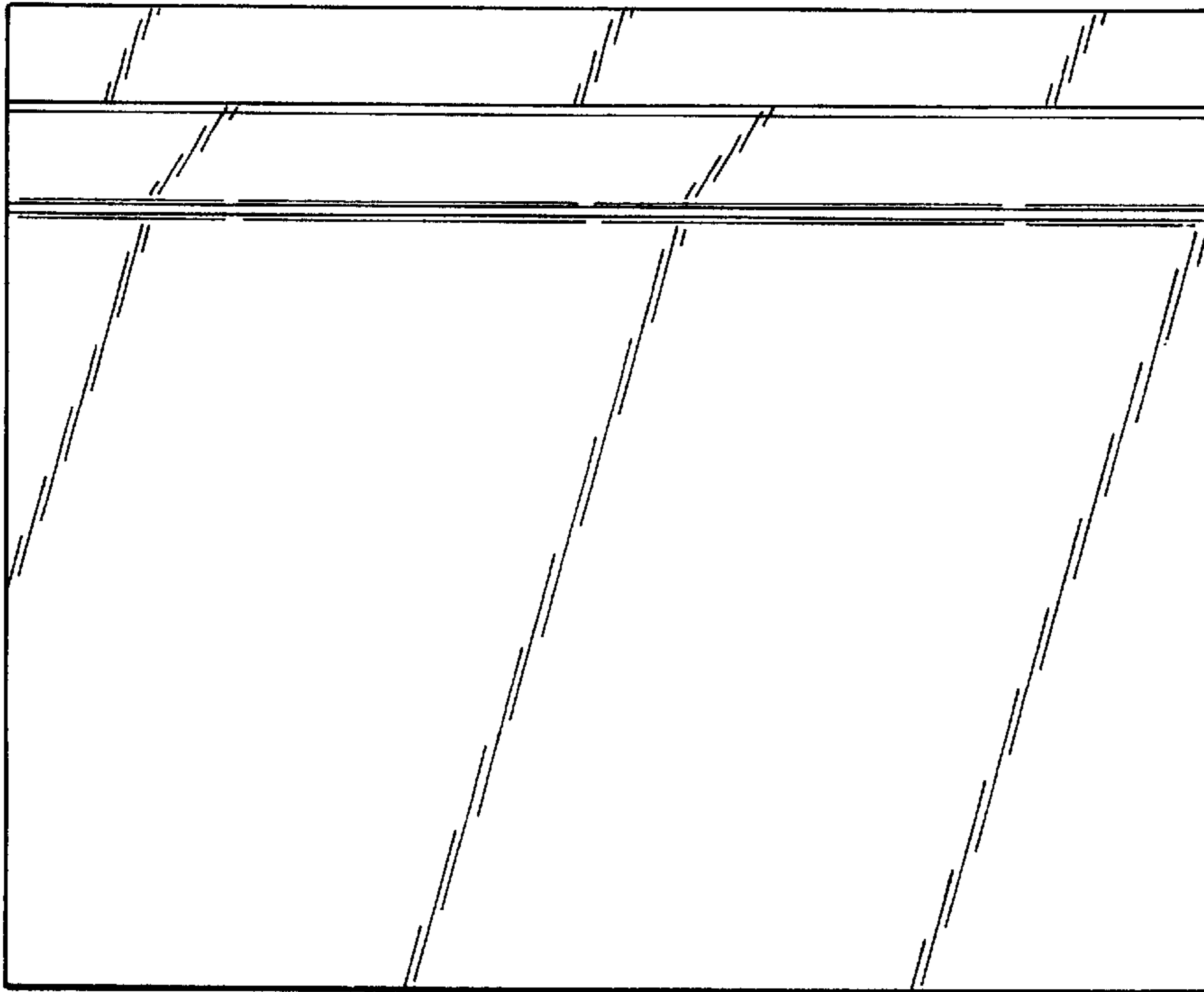


FIG. 4



FIG. 5

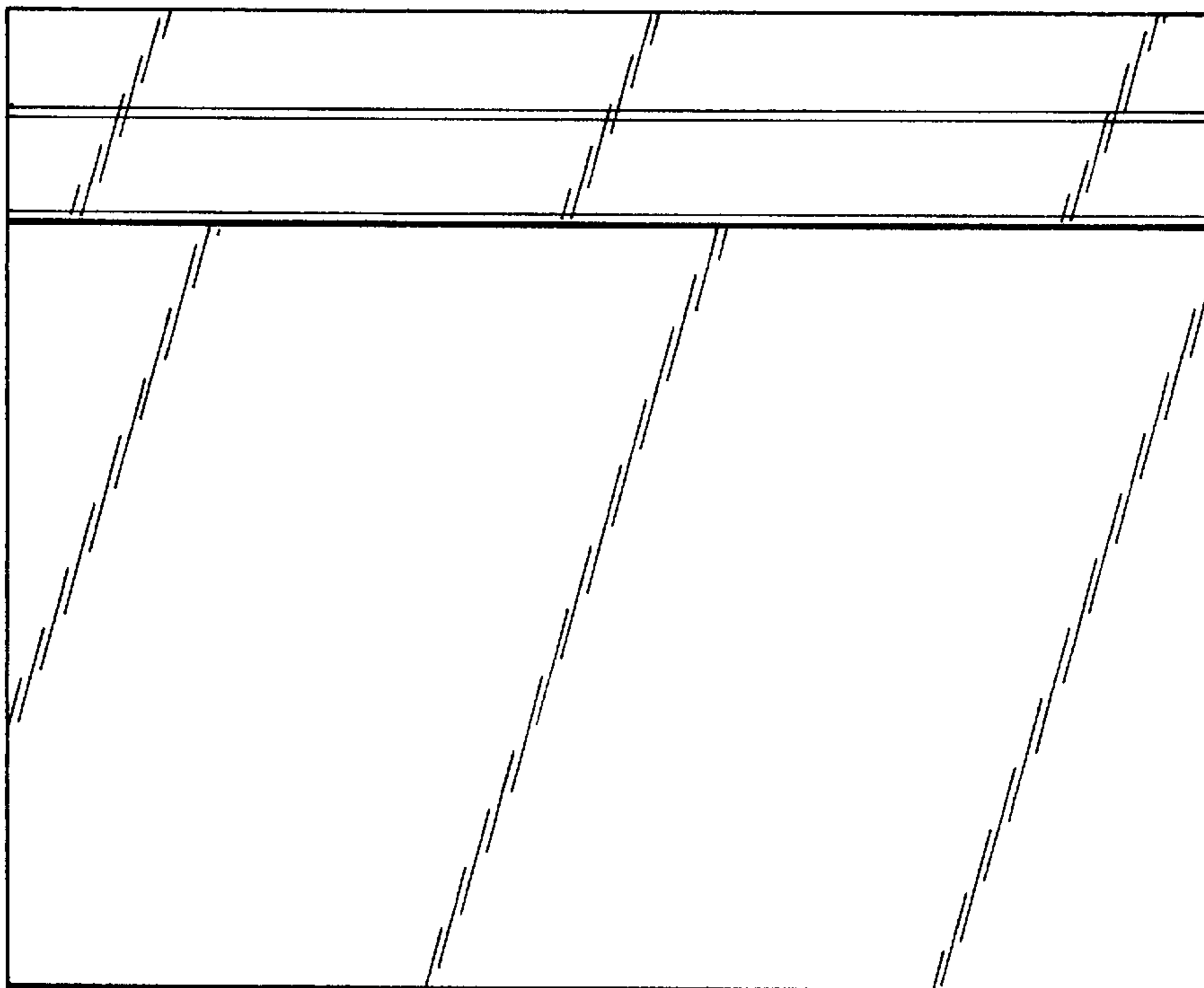


FIG. 6

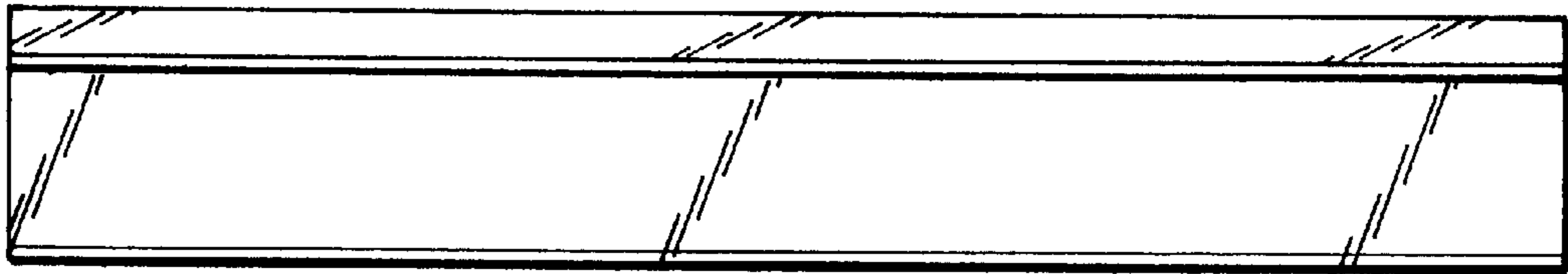


FIG. 7

