



US00D461976S

(12) **United States Design Patent**
Koepke et al.

(10) **Patent No.:** **US D461,976 S**

(45) **Date of Patent:** **** Aug. 27, 2002**

(54) **CHAIR CONTROL LEVER**

(75) Inventors: **Marcus C. Koepke**, Indianapolis, IN
(US); **Jay R. Machael**; **Brian R. Trego**, both of Muscatine, IA (US)

(73) Assignee: **HON Technology Inc.**, Muscatine, IA
(US)

(**) Term: **14 Years**

(21) Appl. No.: **29/143,641**

(22) Filed: **Jun. 15, 2001**

(51) **LOC (7) Cl.** **06-06**

(52) **U.S. Cl.** **D6/500**

(58) **Field of Search** D6/334, 335, 364,
D6/365, 366, 367, 500, 501, 502; 298/161,
578; 297/344.18, 344.19, 344.21, 463.1

(56) **References Cited**

U.S. PATENT DOCUMENTS

D292,459 S * 10/1987 Doerner D6/500
D388,258 S * 12/1997 Ambasz D6/366

D400,365 S * 11/1998 Rossi D6/366
D433,833 S * 11/2000 Schultz et al. D6/366
D433,834 S * 11/2000 Neil D6/366
6,224,155 B1 * 5/2001 DeKraker et al. 297/344.19

* cited by examiner

Primary Examiner—Gary D. Watson

(74) *Attorney, Agent, or Firm*—Jones, Day, Reavis & Pogue

(57) **CLAIM**

The ornamental design for a chair control lever, as shown.

DESCRIPTION

FIG. 1 is a right, rear perspective view of a chair control lever showing our new design;
FIG. 2 is a left side view thereof;
FIG. 3 is a front view thereof;
FIG. 4 is a right side view thereof;
FIG. 5 is a rear view thereof;
FIG. 6 is a top view thereof; and,
FIG. 7 is a bottom view thereof.

1 Claim, 1 Drawing Sheet

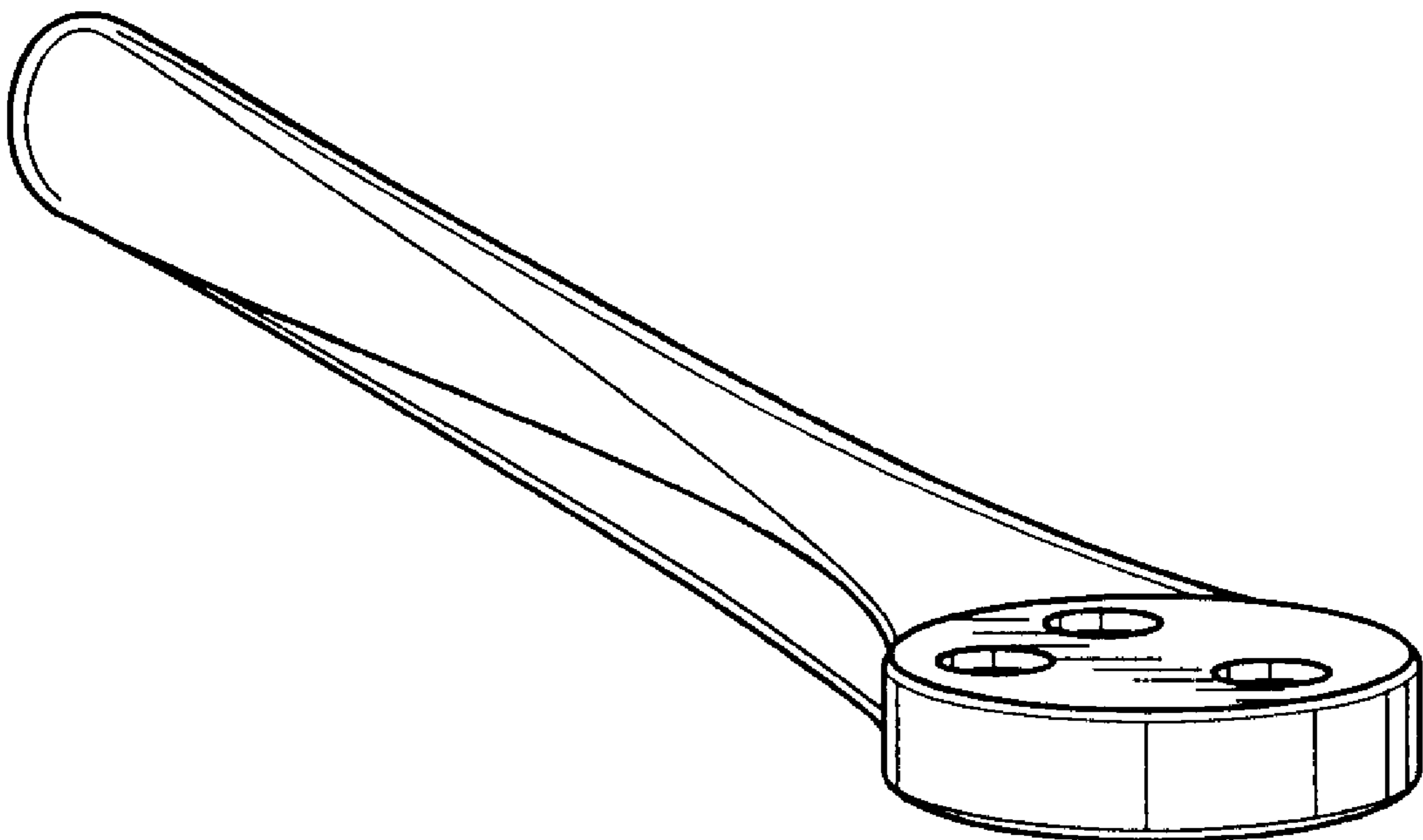


Fig. 1

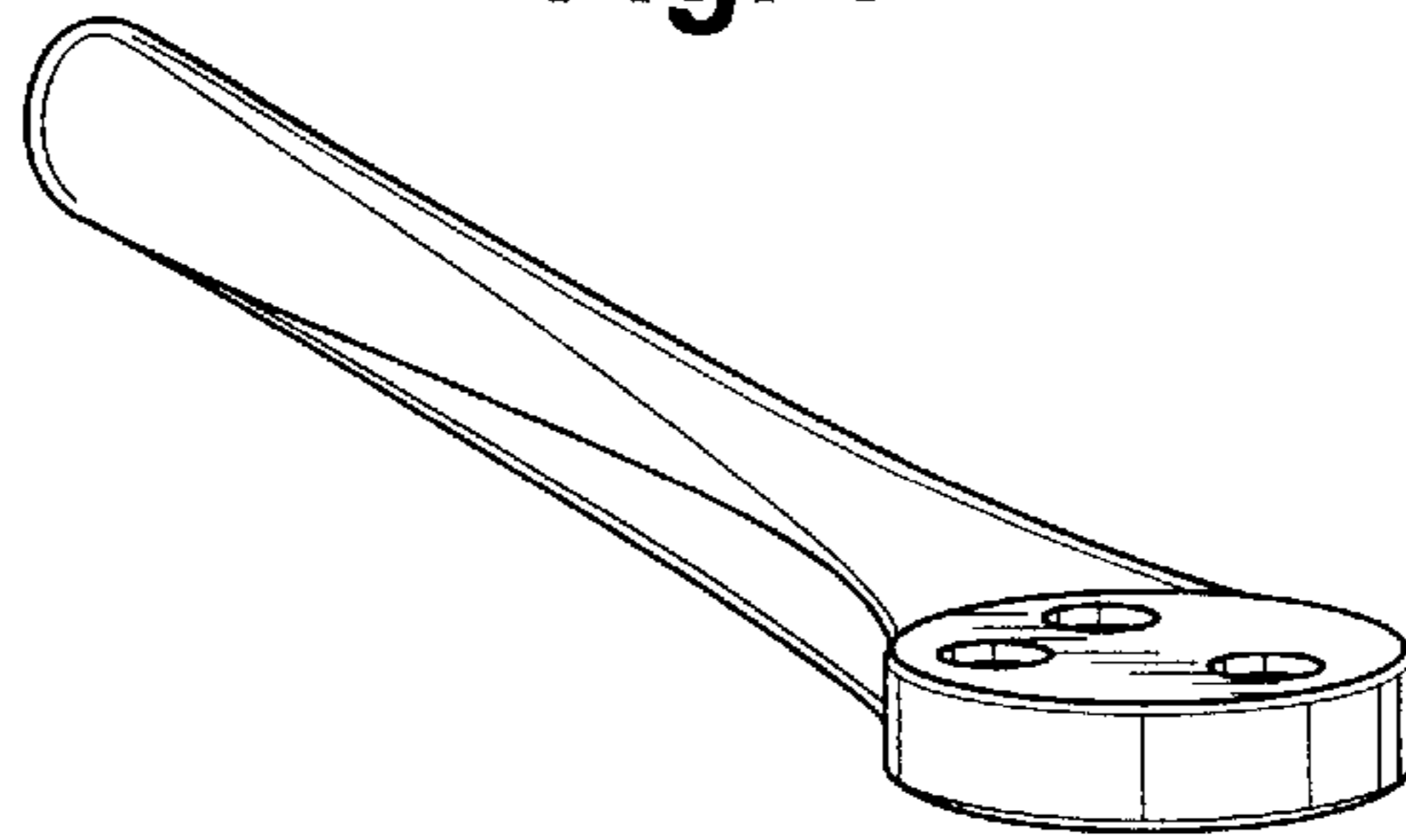


Fig. 2

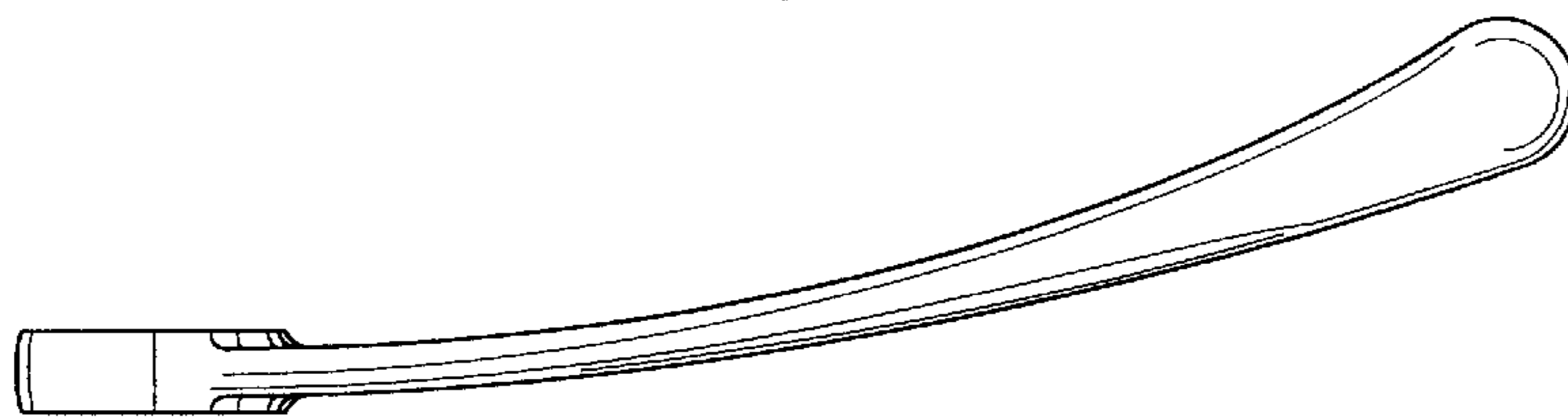


Fig. 3

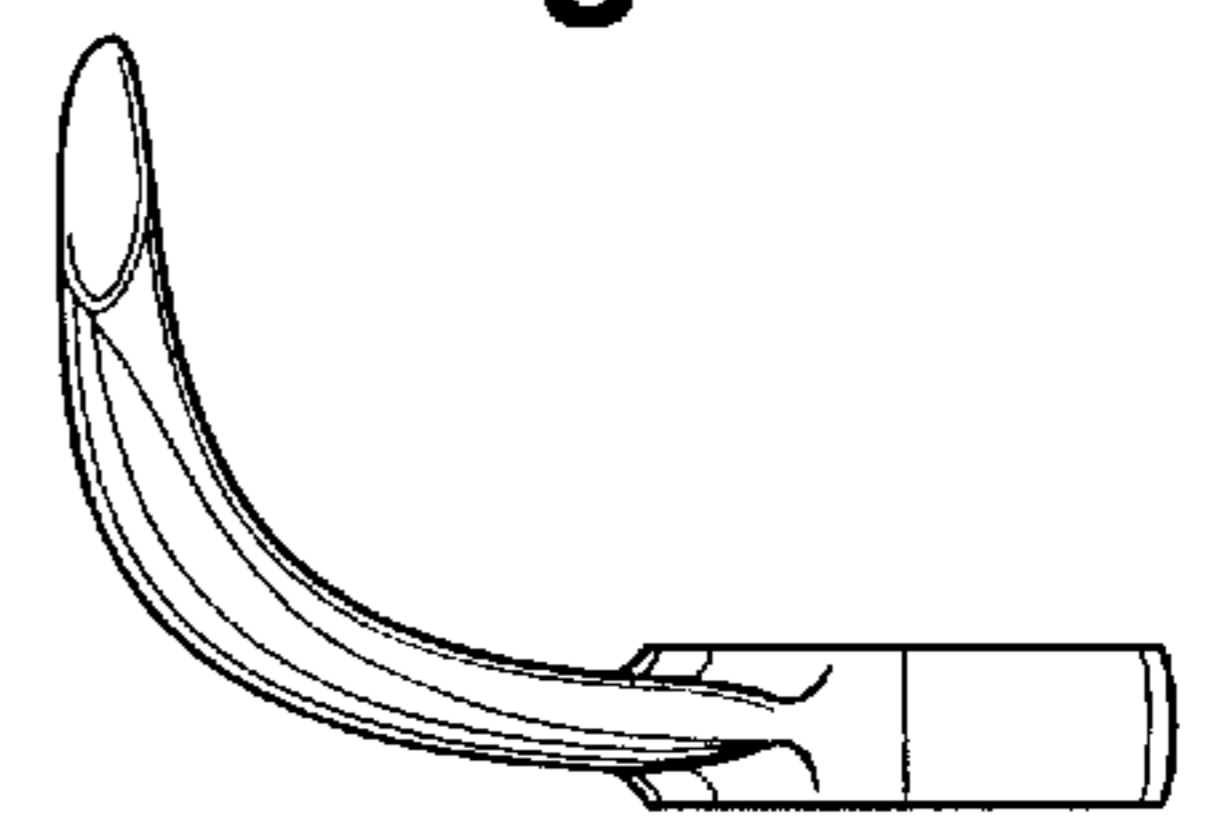


Fig. 4

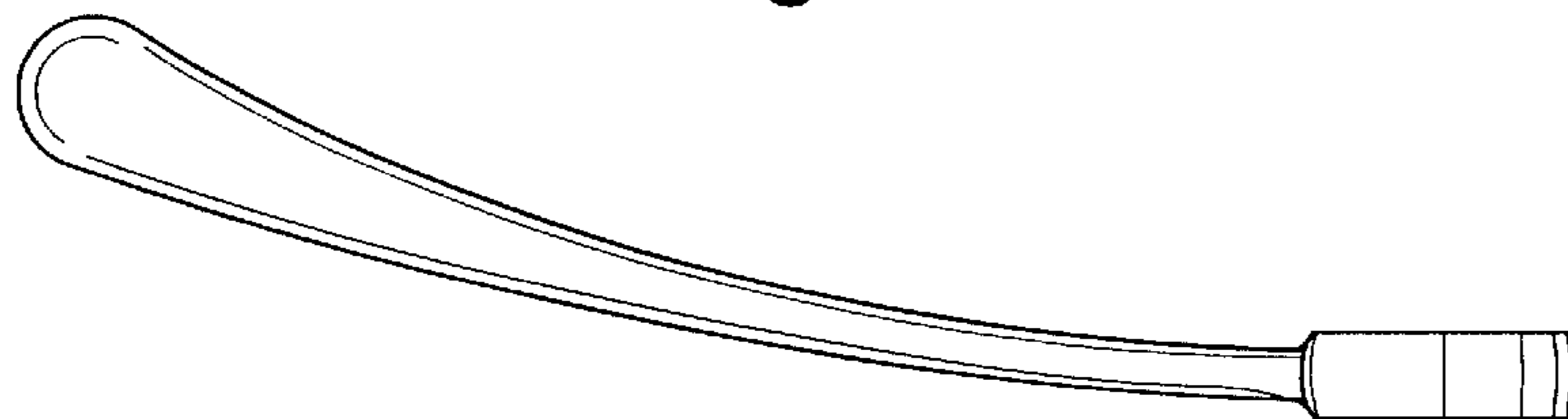


Fig. 5

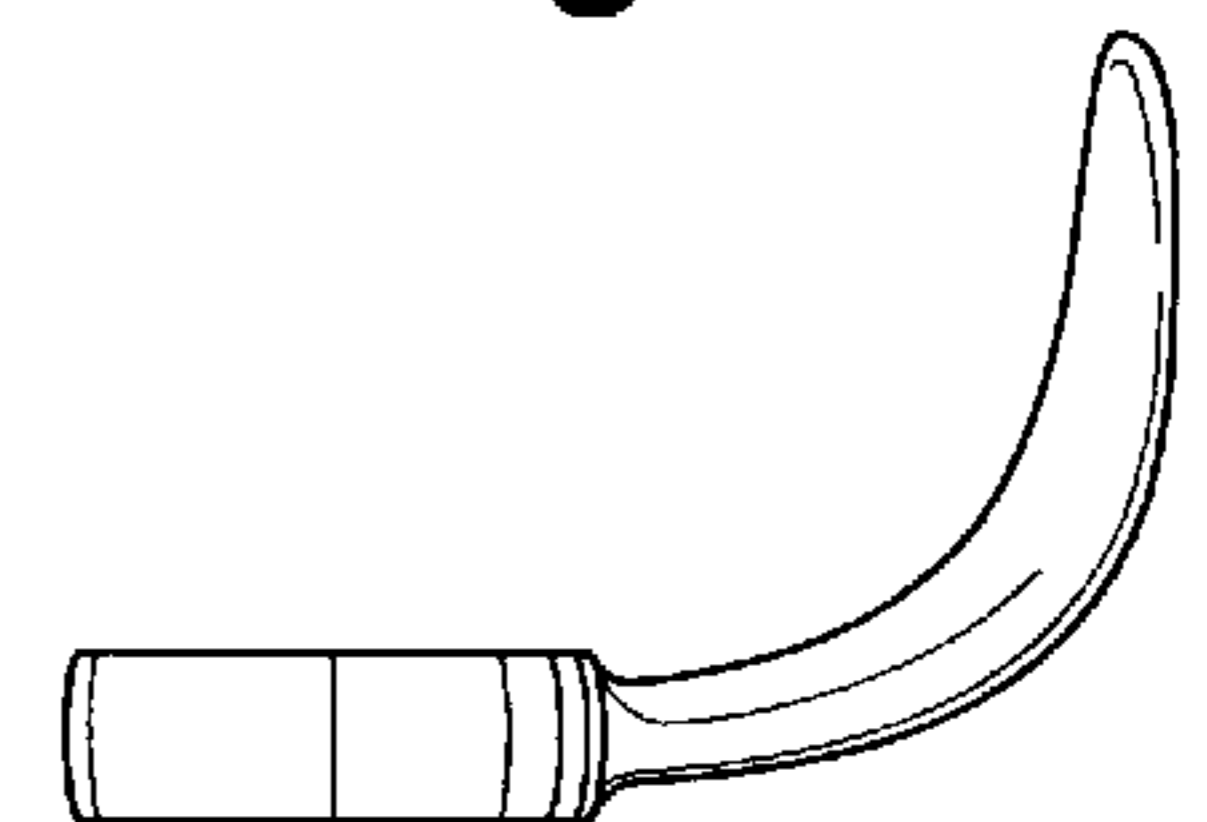


Fig. 6

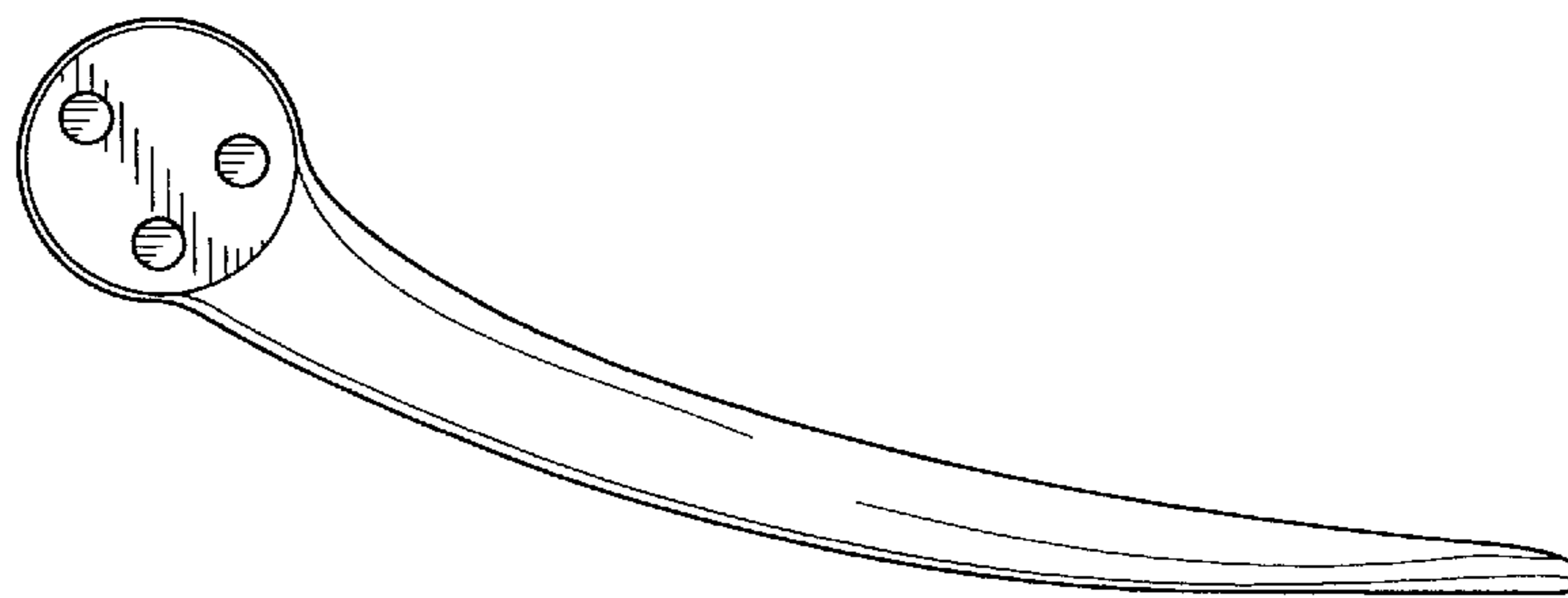


Fig. 7

