



US00D461966S

(12) **United States Design Patent**
Reece

(10) **Patent No.:** **US D461,966 S**

(45) **Date of Patent:** **** Aug. 27, 2002**

(54) **ANIMAL AUTOMOBILE SEAT**

(76) **Inventor:** **Houstene Reece**, 200 Laurel Leaf La., Canyon, TX (US) 79015

(**) **Term:** **14 Years**

(21) **Appl. No.:** **29/151,198**

(22) **Filed:** **Oct. 19, 2001**

(51) **LOC (7) Cl.** **06-01**

(52) **U.S. Cl.** **D6/356; D6/333**

(58) **Field of Search** D6/333, 334, 335, D6/339, 356, 371, 372, 375, 500-502; D30/118, 144, 151, 152; 119/496, 771, 28.5; 297/250.1, 254, 256.15

(56) **References Cited**

U.S. PATENT DOCUMENTS

3,310,034	A	*	3/1967	Dishart	119/771
4,597,359	A	*	7/1986	Moorman	119/28.5
4,715,618	A	*	12/1987	Harris	119/771
4,896,630	A	*	1/1990	Luce	119/771
D309,514	S	*	7/1990	Marcus et al.	D30/118
5,133,294	A	*	7/1992	Reid	119/771
5,479,892	A	*	1/1996	Edwards	119/771
5,551,373	A	*	9/1996	O'Donnell	119/771
D376,447	S	*	12/1996	Stump	D30/144
D378,150	S	*	2/1997	Dubarry	D30/152
5,785,003	A	*	7/1998	Jacobson et al.	119/496

* cited by examiner

Primary Examiner—Doris V. Coles

Assistant Examiner—Mimosa De

(74) *Attorney, Agent, or Firm*—Baker Botts L.L.P.

(57) **CLAIM**

The ornamental design for an animal automobile seat, as shown and described.

DESCRIPTION

FIG. 1 is a perspective view of the first embodiment of the animal automobile seat showing my new design. The broken lines show the environment and do not form a part of the design of the claimed invention.

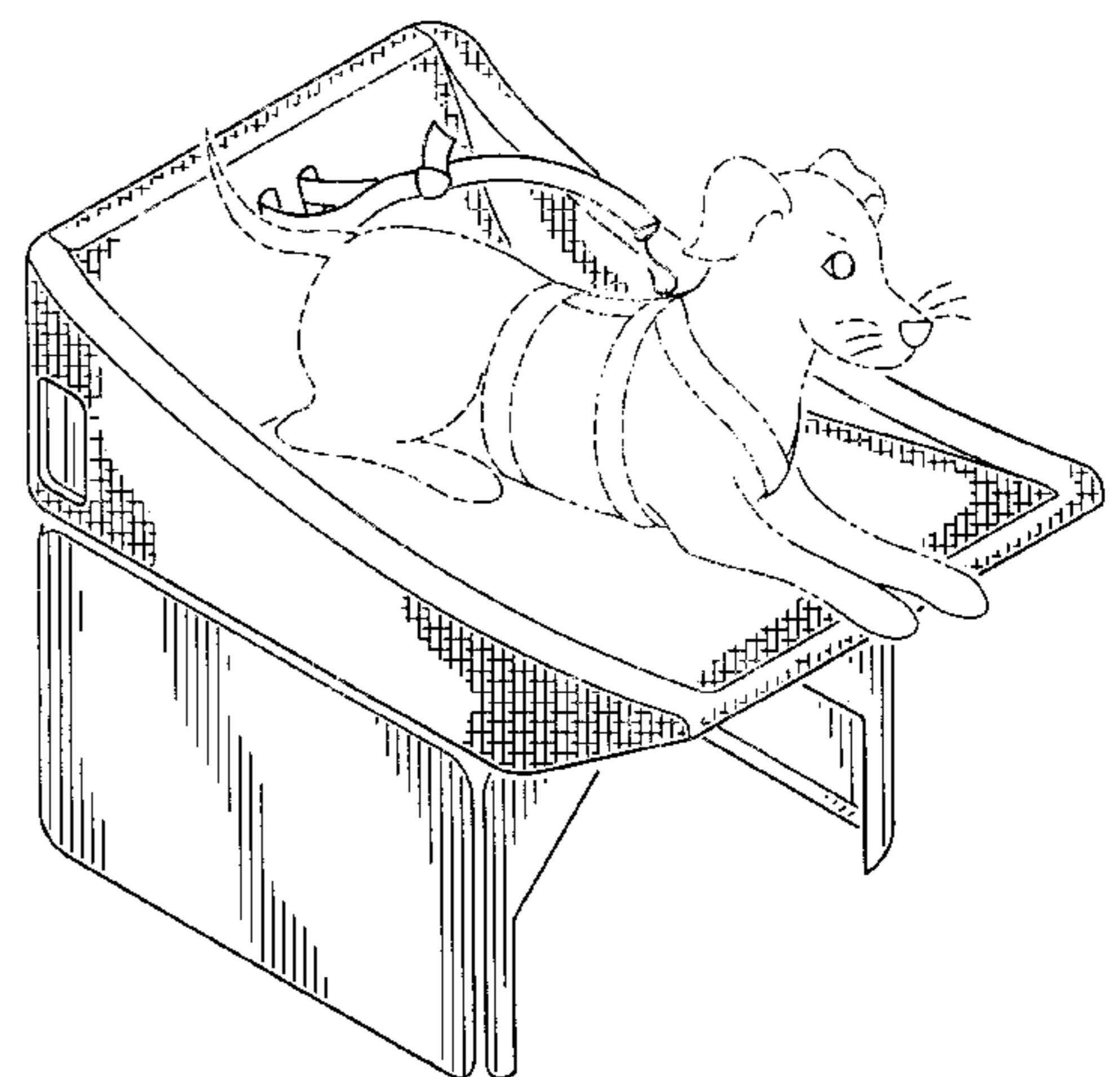
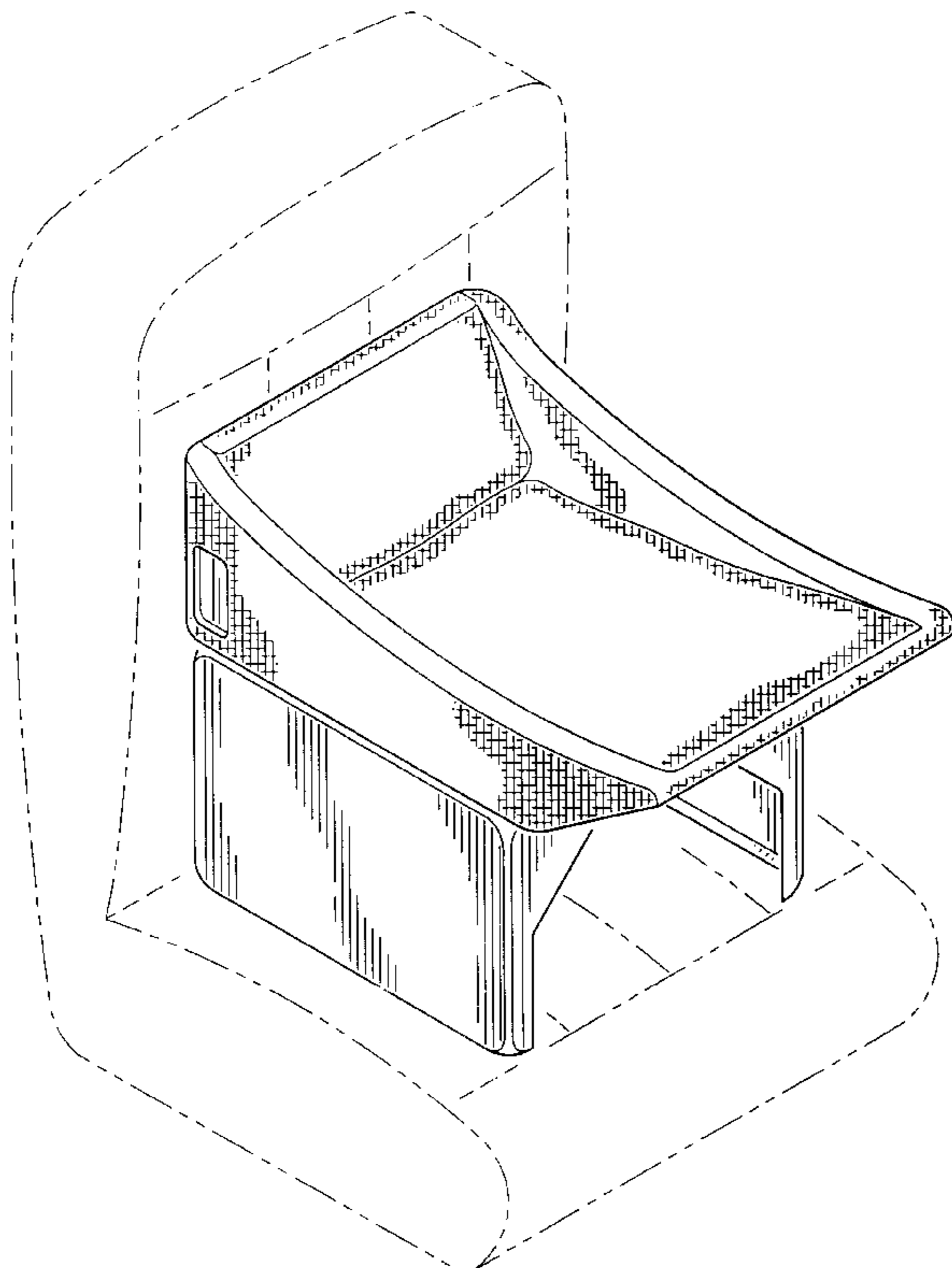
FIG. 2 is a front end view of the animal automobile seat; FIG. 3 is a side view of the animal automobile seat, the opposite side thereof being identical thereto;

FIG. 4 is a rear end view of the animal automobile seat; FIG. 5 is a top view of the animal automobile seat; and, FIG. 6 is a perspective view of the second embodiment of the animal automobile seat, including an animal retention strap. The animal shown in broken lines is included to show the retention strap in use and does not form a part of the design of the claimed invention.

The animal shown in broken lines is included to show the retention strap in use and does not form a part of the design of the claimed invention.

The fragmented depiction of the fabric-like pattern shown on the backrest, armrests, and the seat pads in FIGS. 1 through 6 is understood to be continuous throughout.

1 Claim, 2 Drawing Sheets



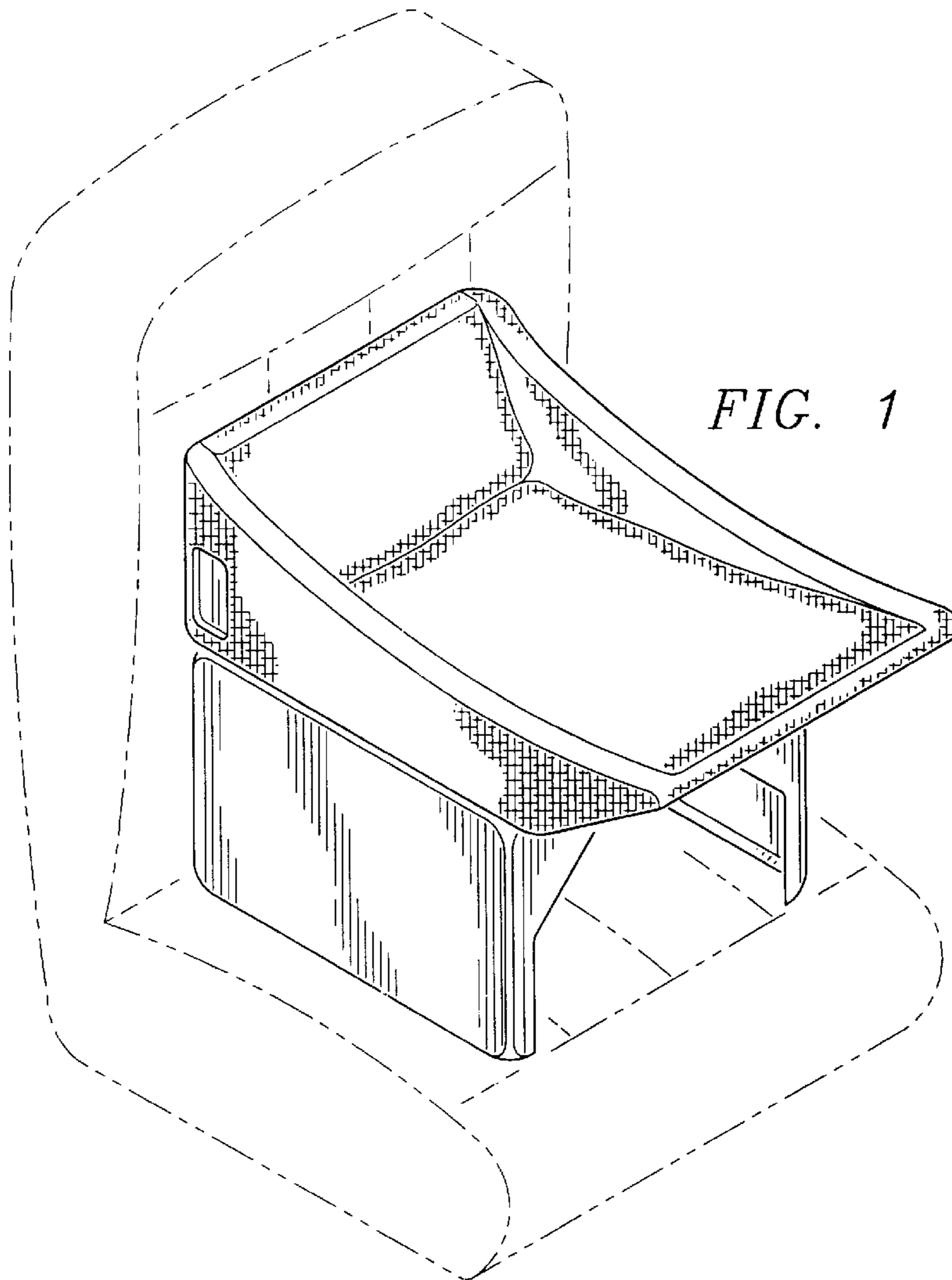


FIG. 1

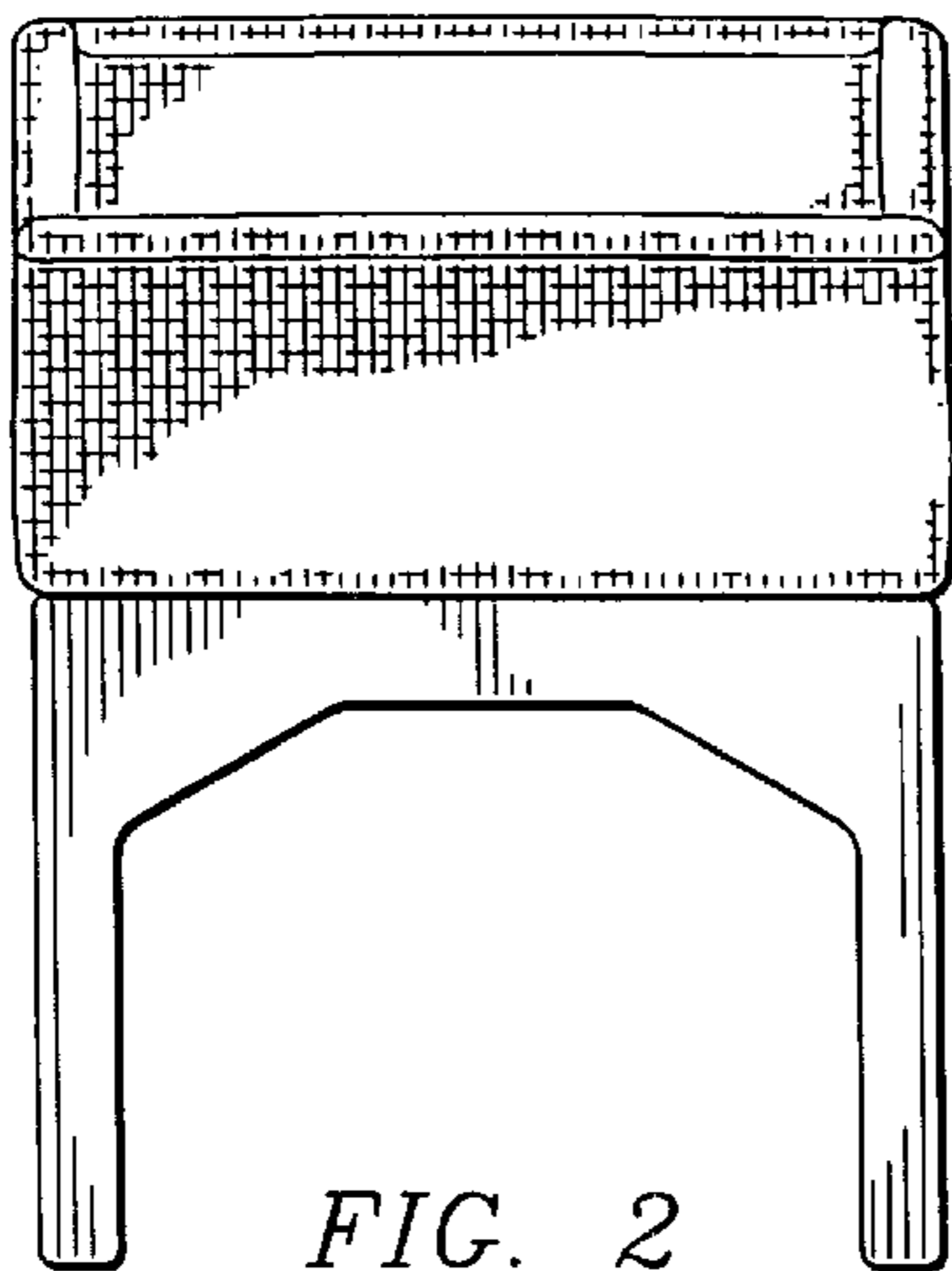


FIG. 2

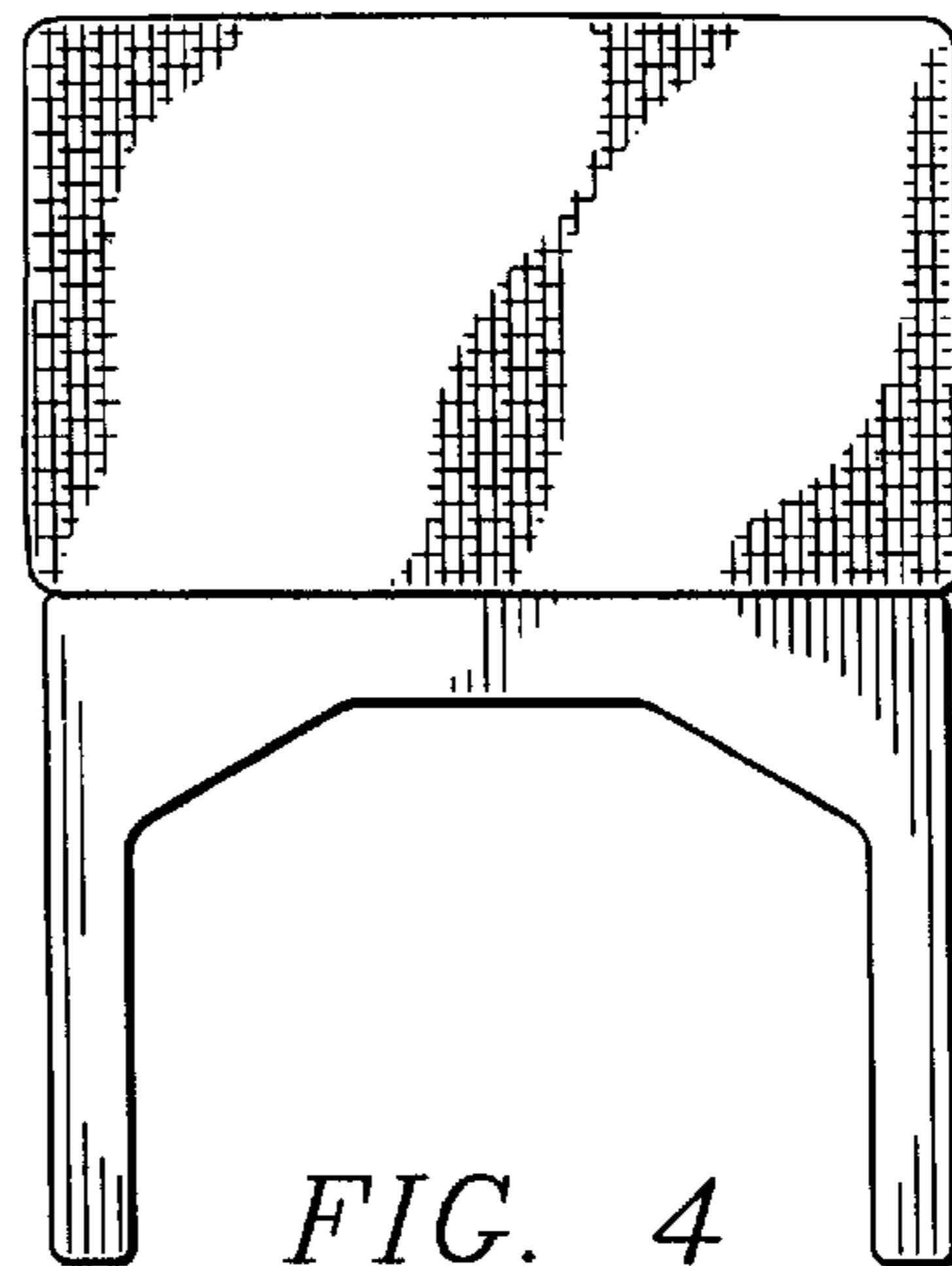


FIG. 4

