



US00D461964S

(12) **United States Design Patent**
Chen

(10) **Patent No.:** **US D461,964 S**

(45) **Date of Patent:** **** Aug. 27, 2002**

(54) **GARDENING WORKING VEHICLE STRUCTURE**

D337,216 S * 7/1993 Boyd D6/373
5,713,583 A * 2/1998 Hansen 280/47.19

(76) **Inventor:** **Vic Chen**, No. 129 Yuan Lu Rd., Sec 1,
Chiao Shu Tsun, Pu Yen Hsiang
Changhua Hsien (TW)

* cited by examiner

Primary Examiner—Doris V. Coles

Assistant Examiner—Mimosa De

(**) **Term:** **14 Years**

(74) *Attorney, Agent, or Firm*—Rosenberg, Klein & Lee

(21) **Appl. No.:** **29/149,996**

(57) **CLAIM**

(22) **Filed:** **Oct. 29, 2001**

The ornamental design for a gardening working vehicle structure, as shown and described.

(51) **LOC (7) Cl.** **06-01**

DESCRIPTION

(52) **U.S. Cl.** **D6/335**

(58) **Field of Search** D6/334, 335, 336,
D6/356, 371–373, 380, 500–502; D34/5,
21, 24; 297/129; 280/47.19, 47.25

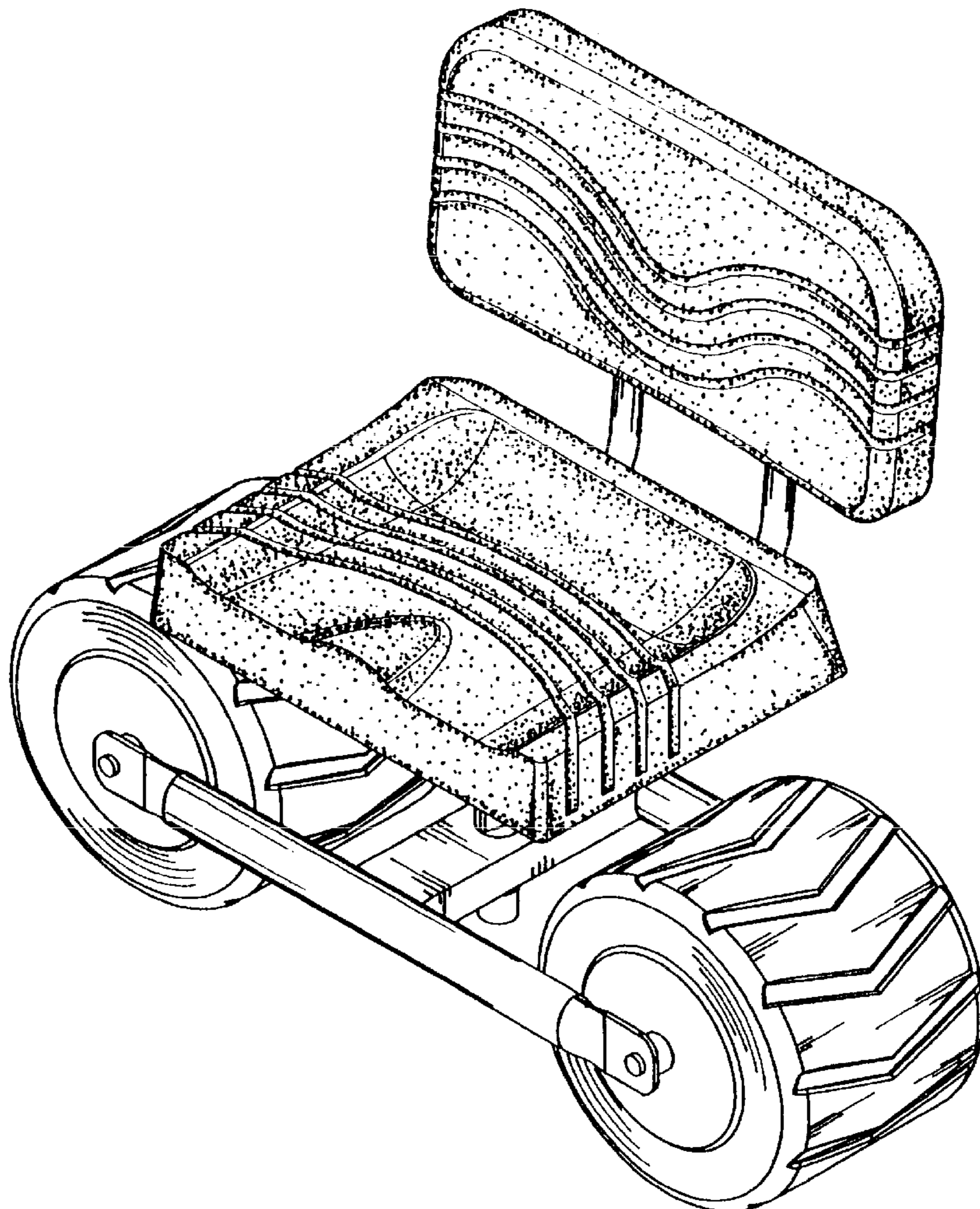
FIG. 1 is a front-left-top perspective view of a gardening working vehicle structure, showing my new design;
FIG. 2 is a front elevational view thereof;
FIG. 3 is a rear elevational view thereof;
FIG. 4 is a left side elevational view thereof;
FIG. 5 is a right side elevational view thereof;
FIG. 6 is a top plan view thereof; and,
FIG. 7 is a bottom plan view thereof.

(56) **References Cited**

U.S. PATENT DOCUMENTS

D162,149 S * 2/1951 Gaither D6/335
3,887,208 A * 6/1975 Vidal 280/47.25

1 Claim, 7 Drawing Sheets



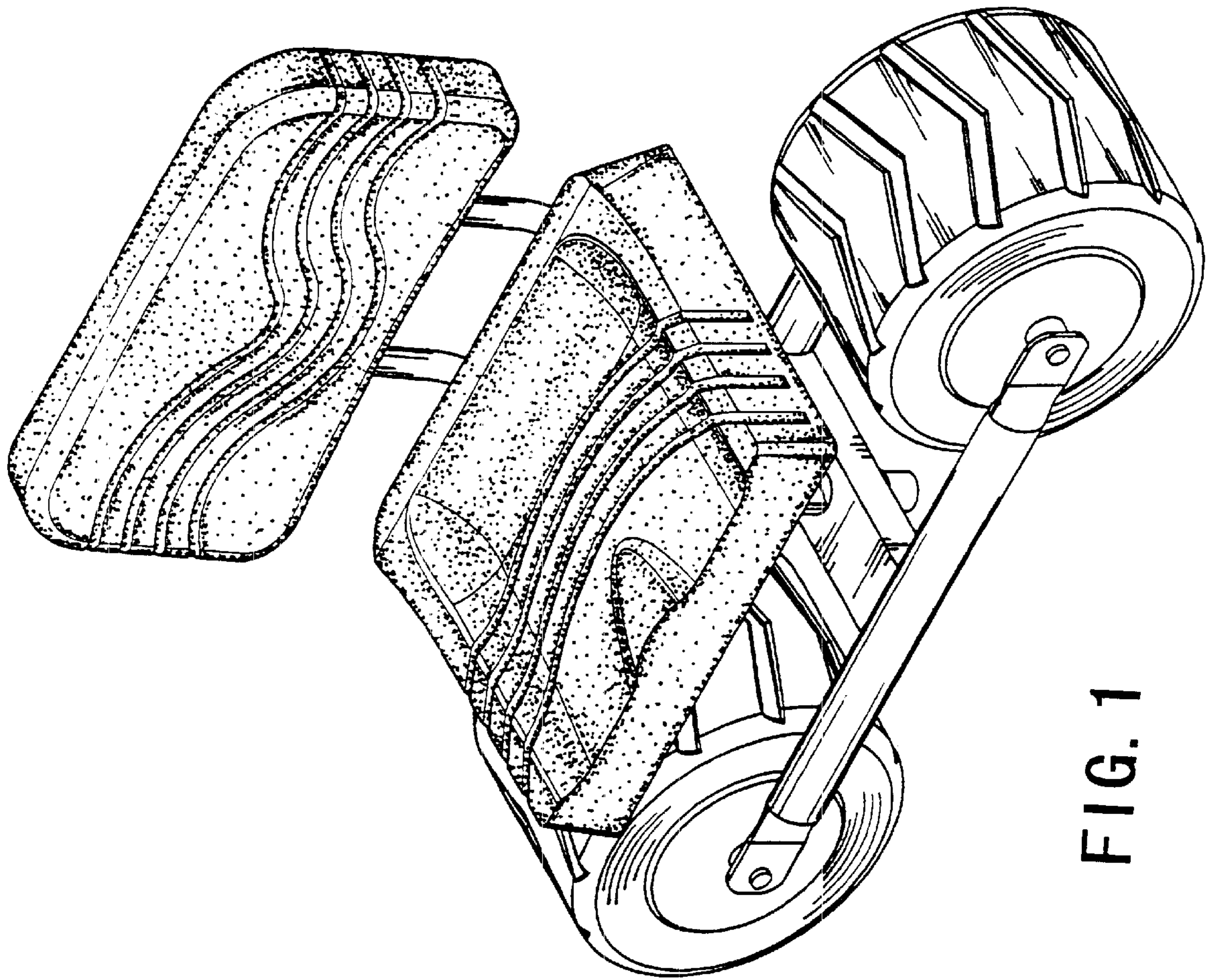


FIG. 1

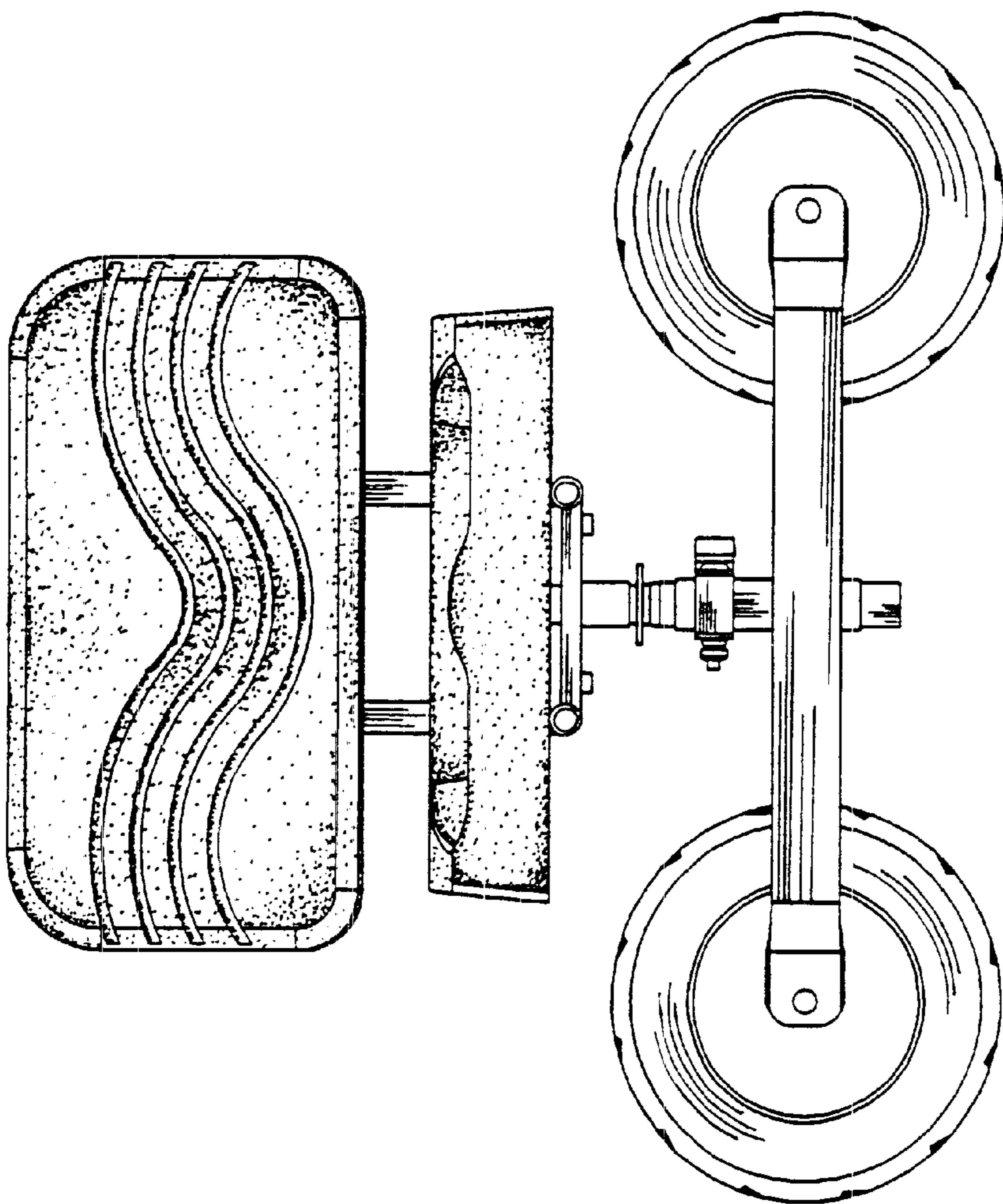


FIG. 2

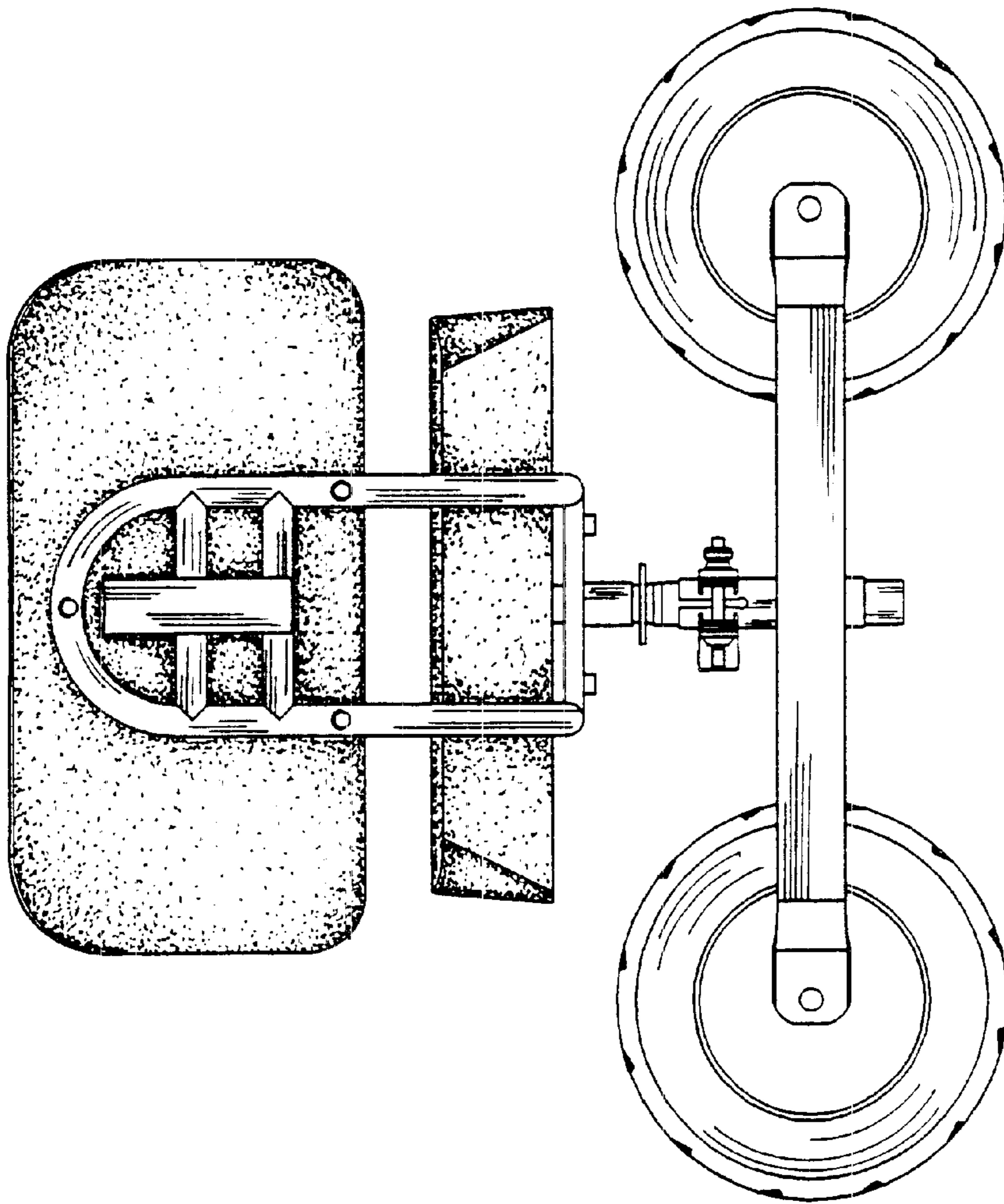


FIG. 3

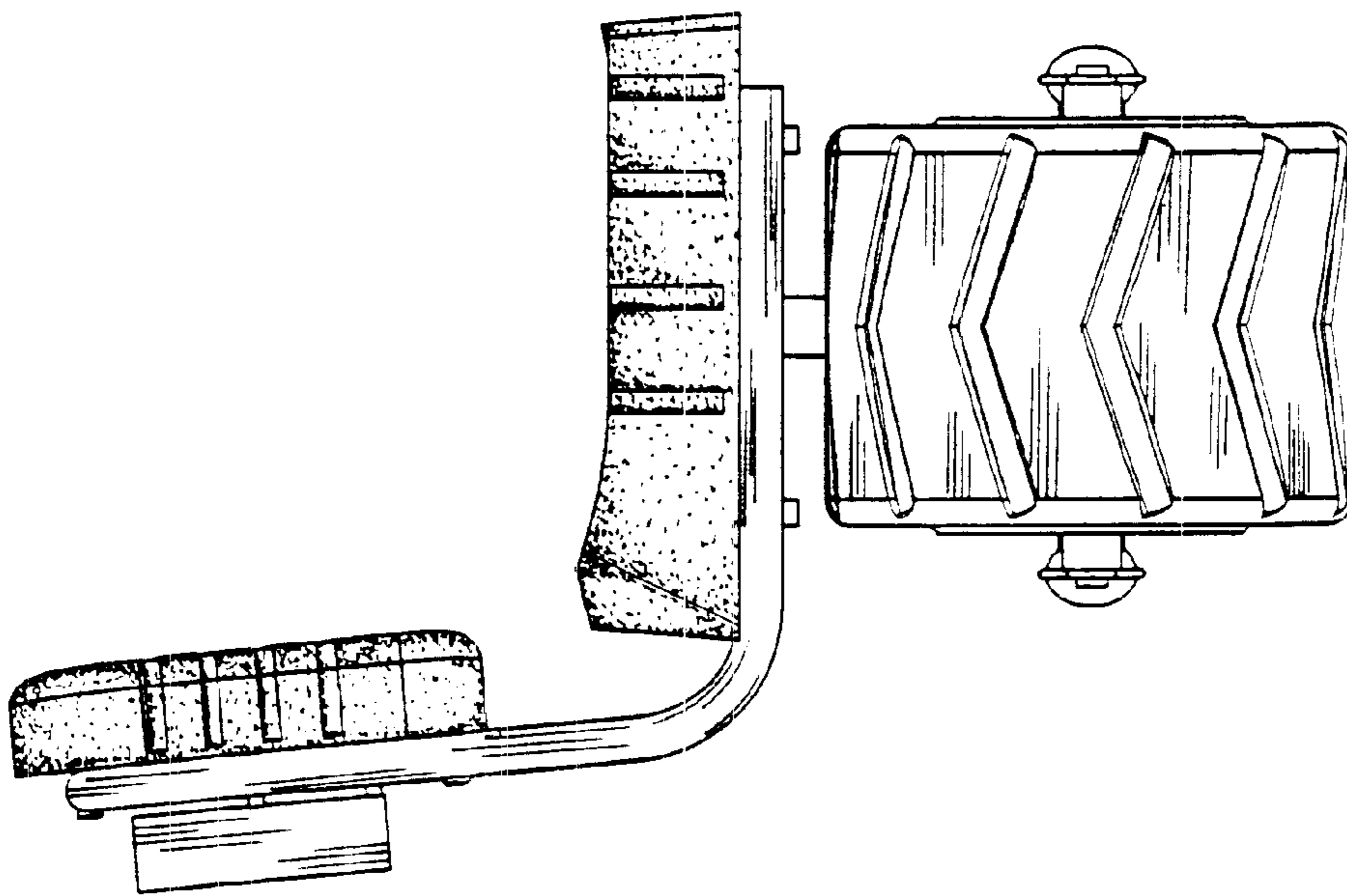


FIG. 4

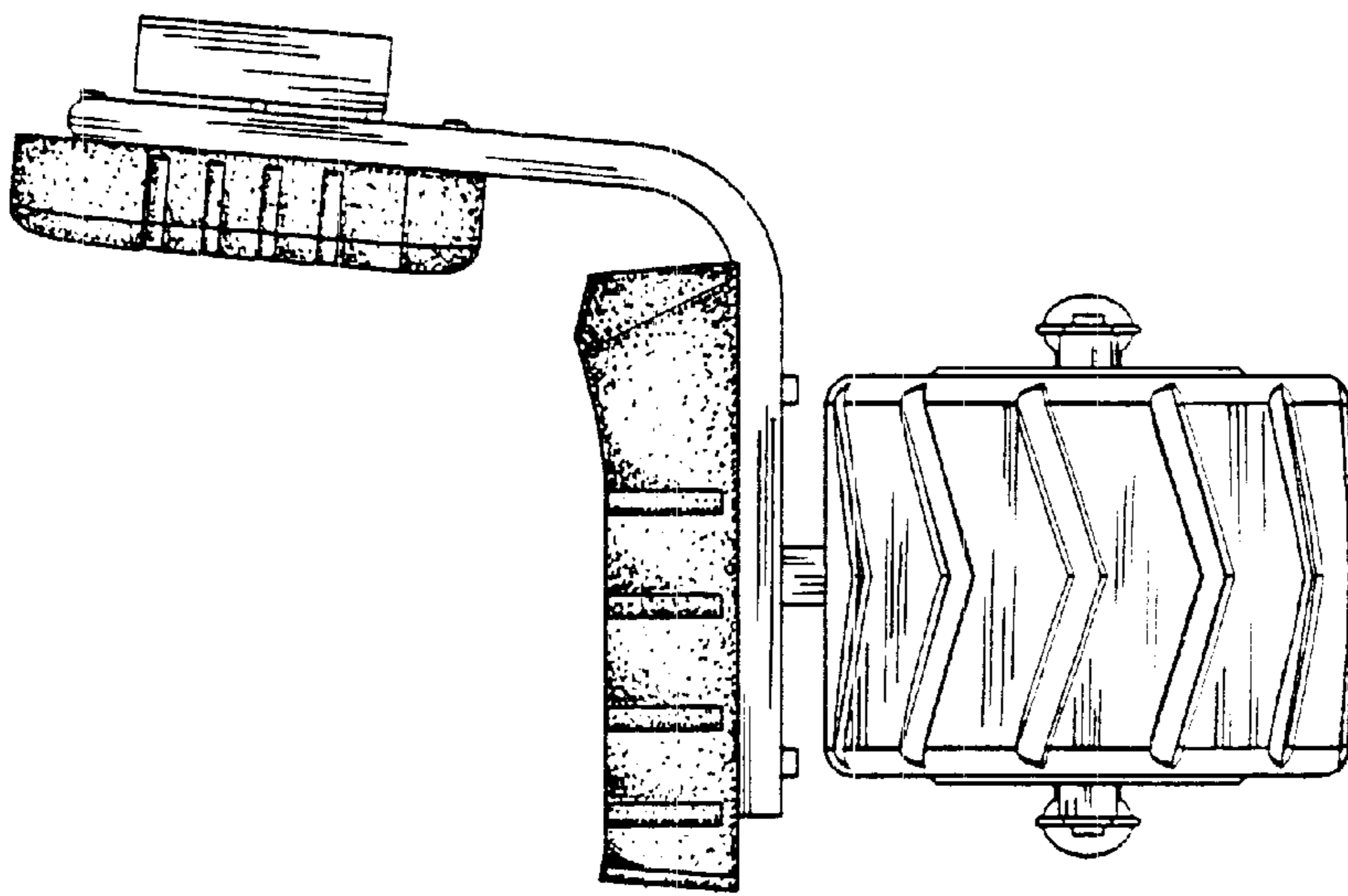


FIG. 5

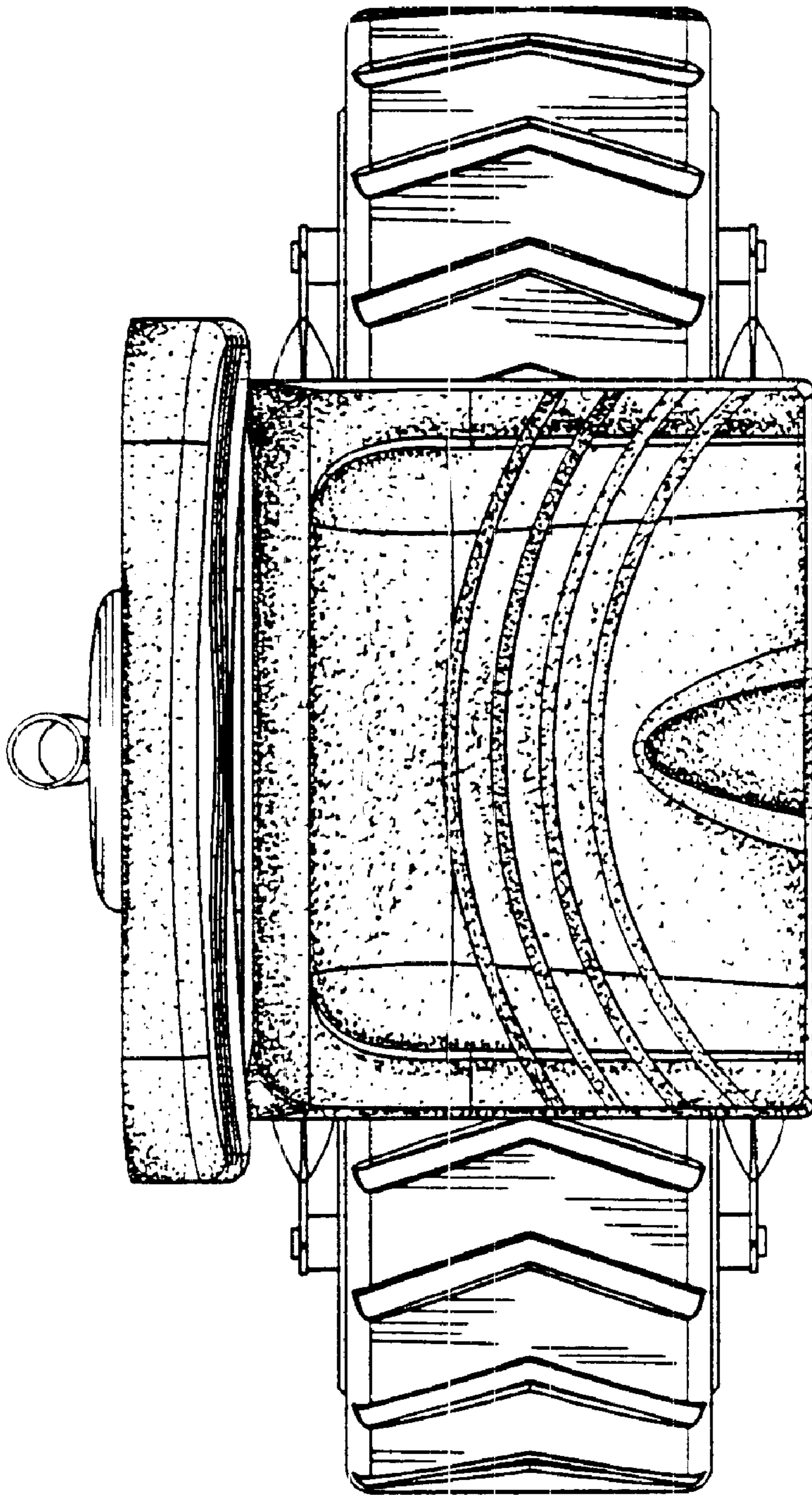


FIG. 6

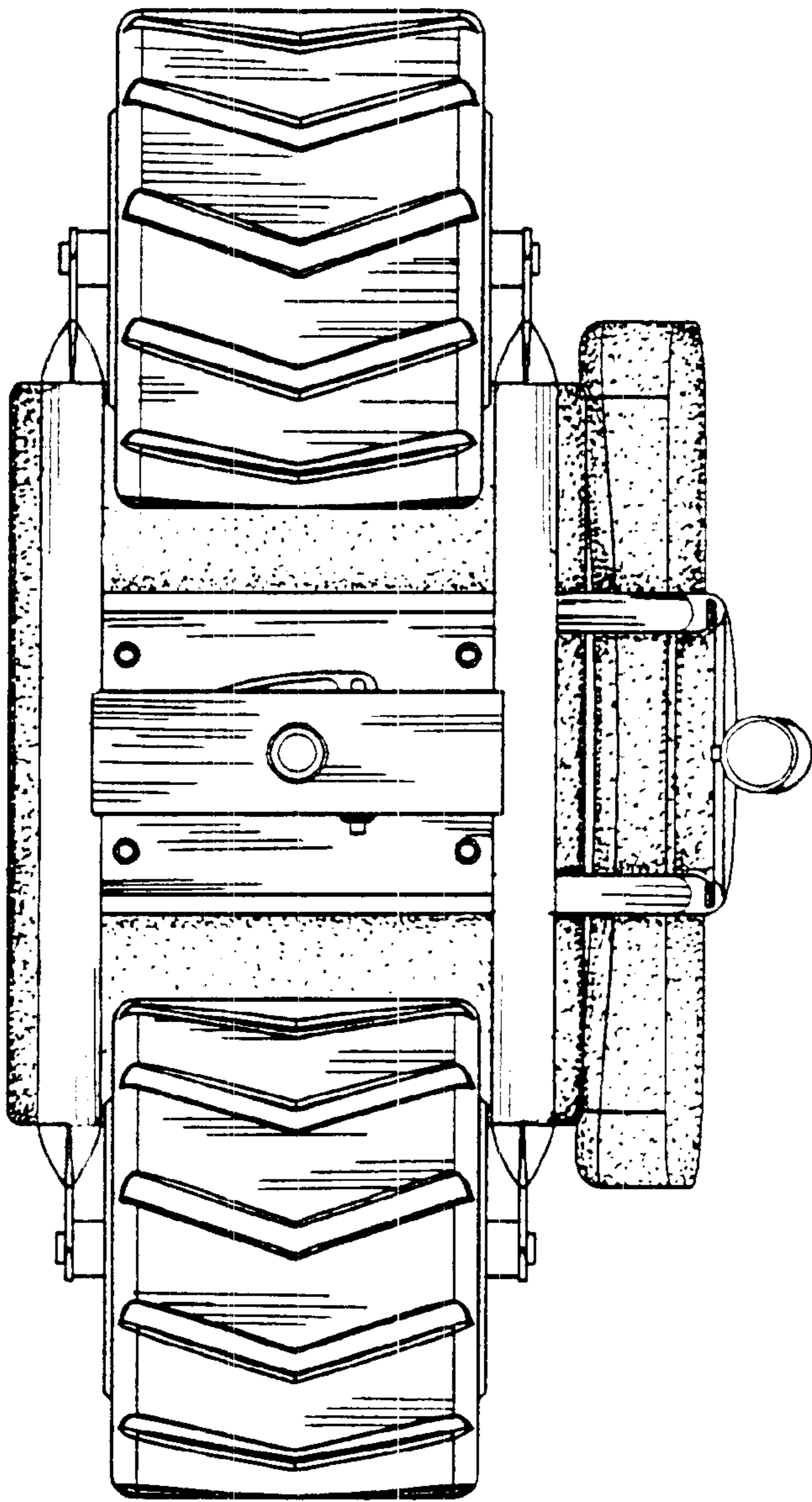


FIG. 7