



US00D461963S

(12) **United States Design Patent**
Bottoms

(10) **Patent No.:** **US D461,963 S**

(45) **Date of Patent:** **** Aug. 27, 2002**

(54) **BODY SUPPORT**

D343,067 S * 1/1994 Pass D6/330

(75) Inventor: **Gary D. Bottoms**, Fort Mill, SC (US)

* cited by examiner

(73) Assignee: **Auto Products, Inc.**, Fort Mill, SC (US)

Primary Examiner—Doris V. Coles

Assistant Examiner—Mimosa De

(**) Term: **14 Years**

(74) *Attorney, Agent, or Firm*—Adams, Schwartz & Evans, P.A.

(21) Appl. No.: **29/149,537**

(57) **CLAIM**

(22) Filed: **Oct. 10, 2001**

The ornamental design for a body support, as shown and described.

(51) **LOC (7) Cl.** **06-01**

DESCRIPTION

(52) **U.S. Cl.** **D6/330**

(58) **Field of Search** D6/329, 330, 335,
D6/500–502; D21/687; 482/140; 297/313,
423.11, 423.16

FIG. 1 is a front perspective view of a body support according to one preferred embodiment of the present design;

FIG. 2 is rear perspective view thereof;

FIG. 3 is a front view thereof; and,

FIG. 4 is a side view thereof, it being understood that the other side is a mirror image.

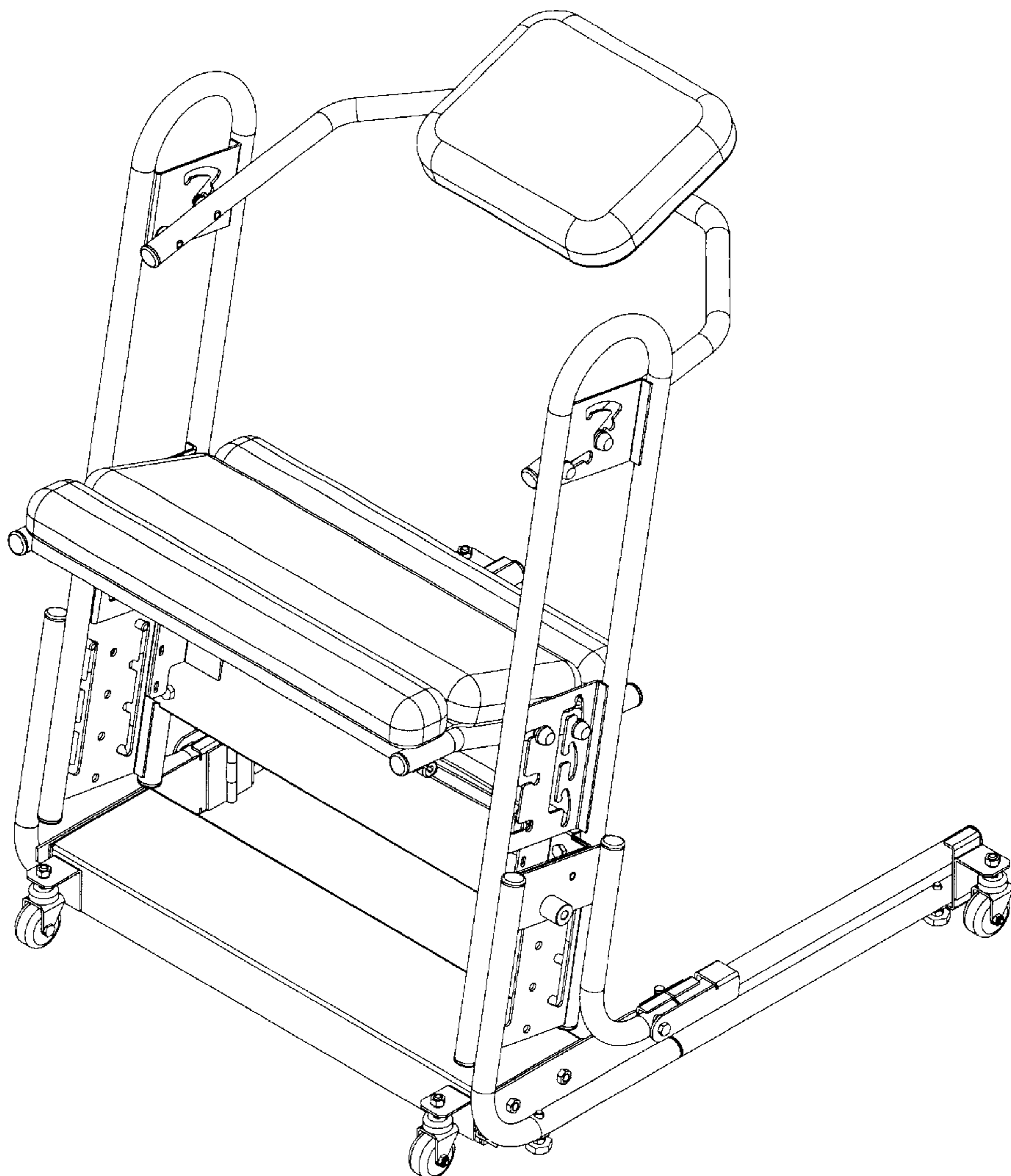
(56) **References Cited**

U.S. PATENT DOCUMENTS

4,650,249 A * 3/1987 Serber 297/313

4,653,808 A * 3/1987 Opsvik 297/423.11

1 Claim, 4 Drawing Sheets



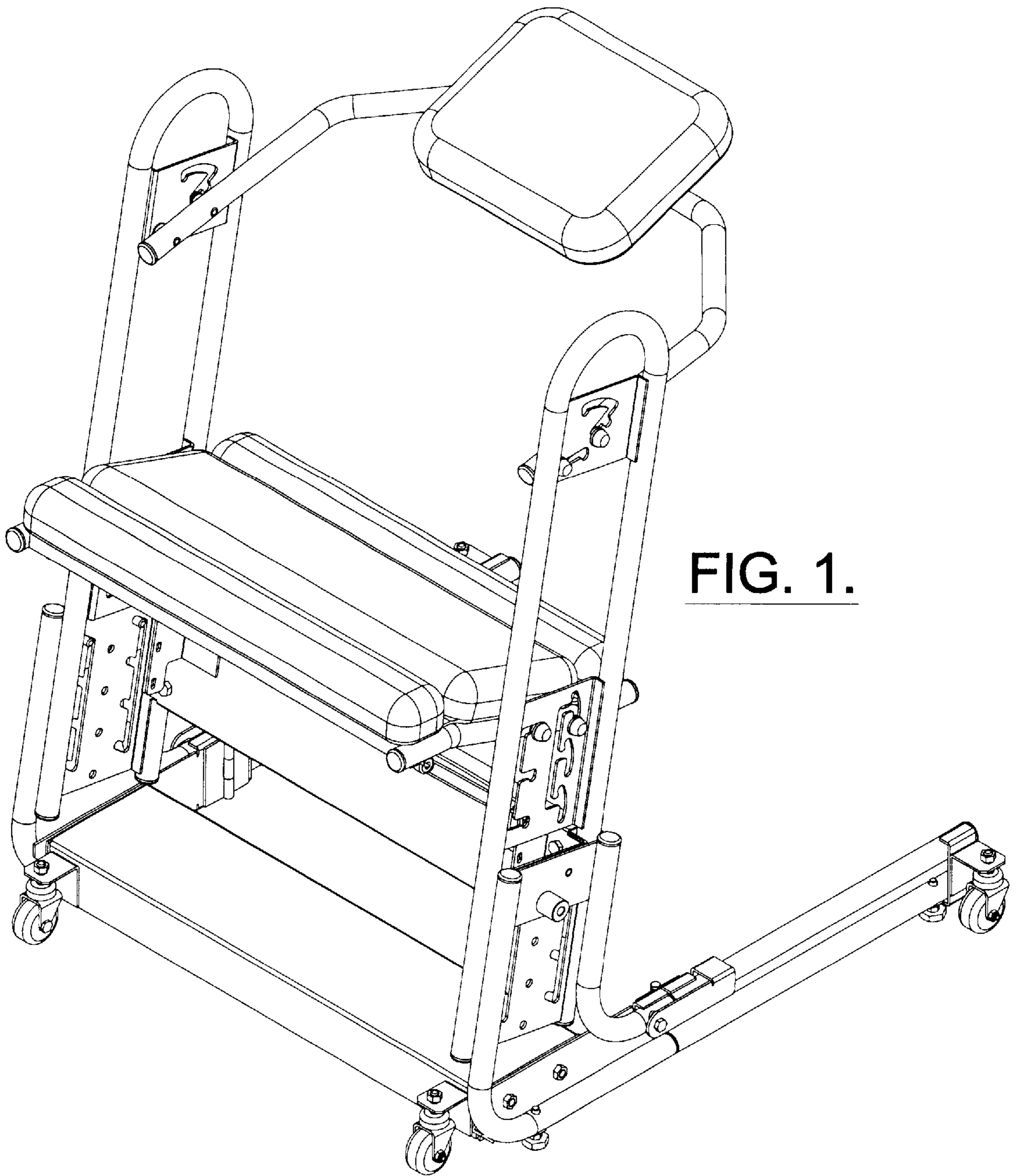


FIG. 1.

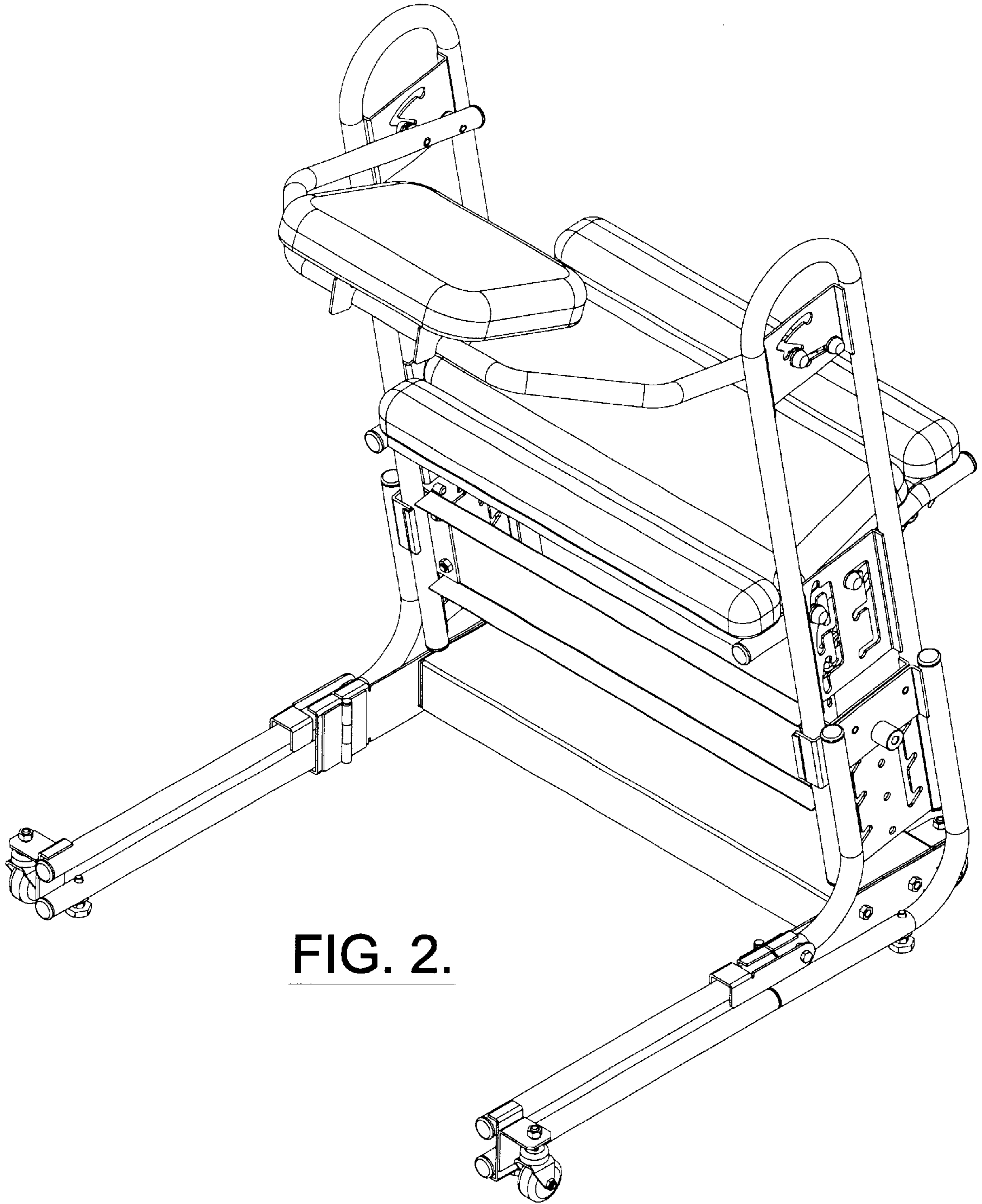


FIG. 2.

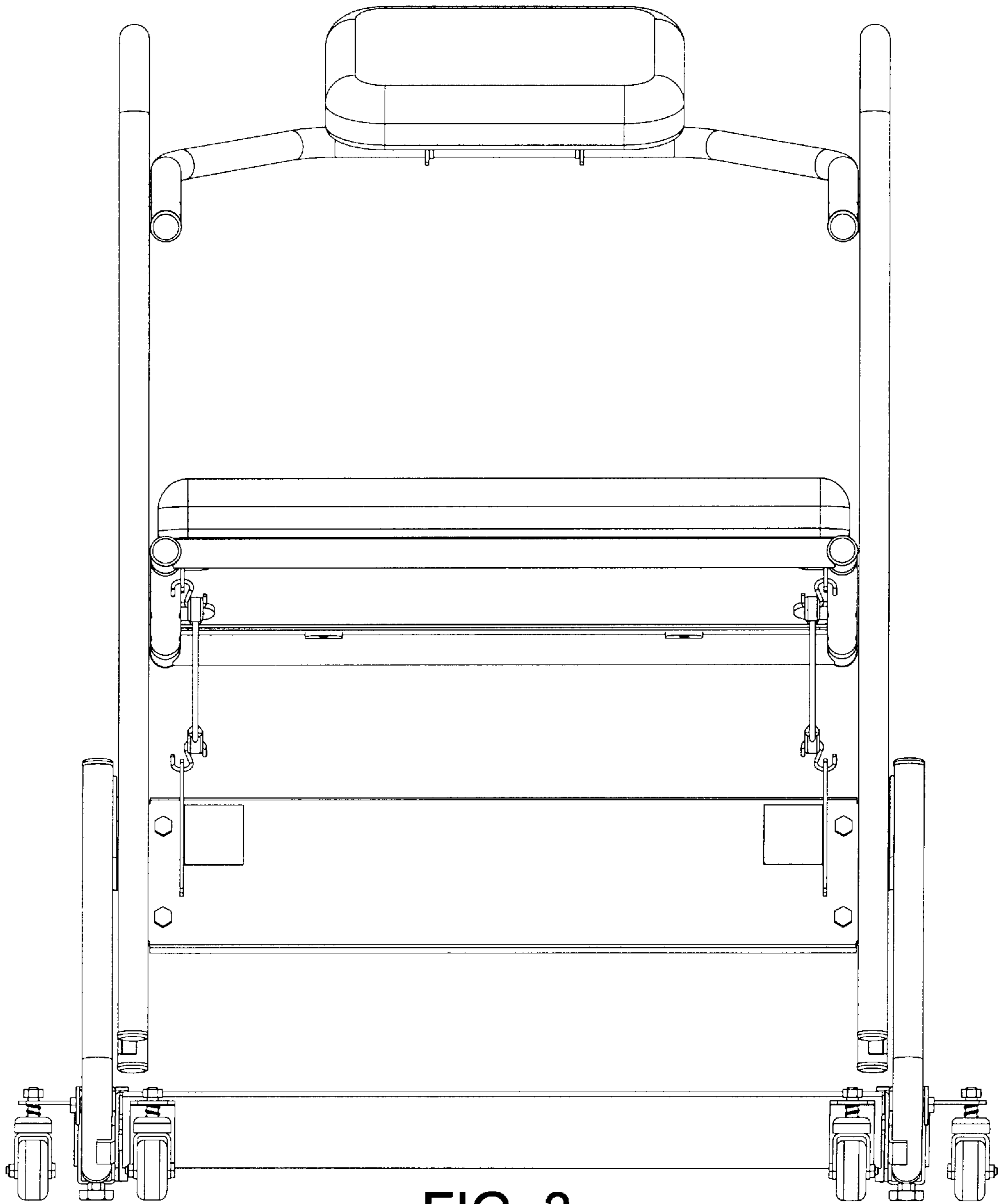


FIG. 3.

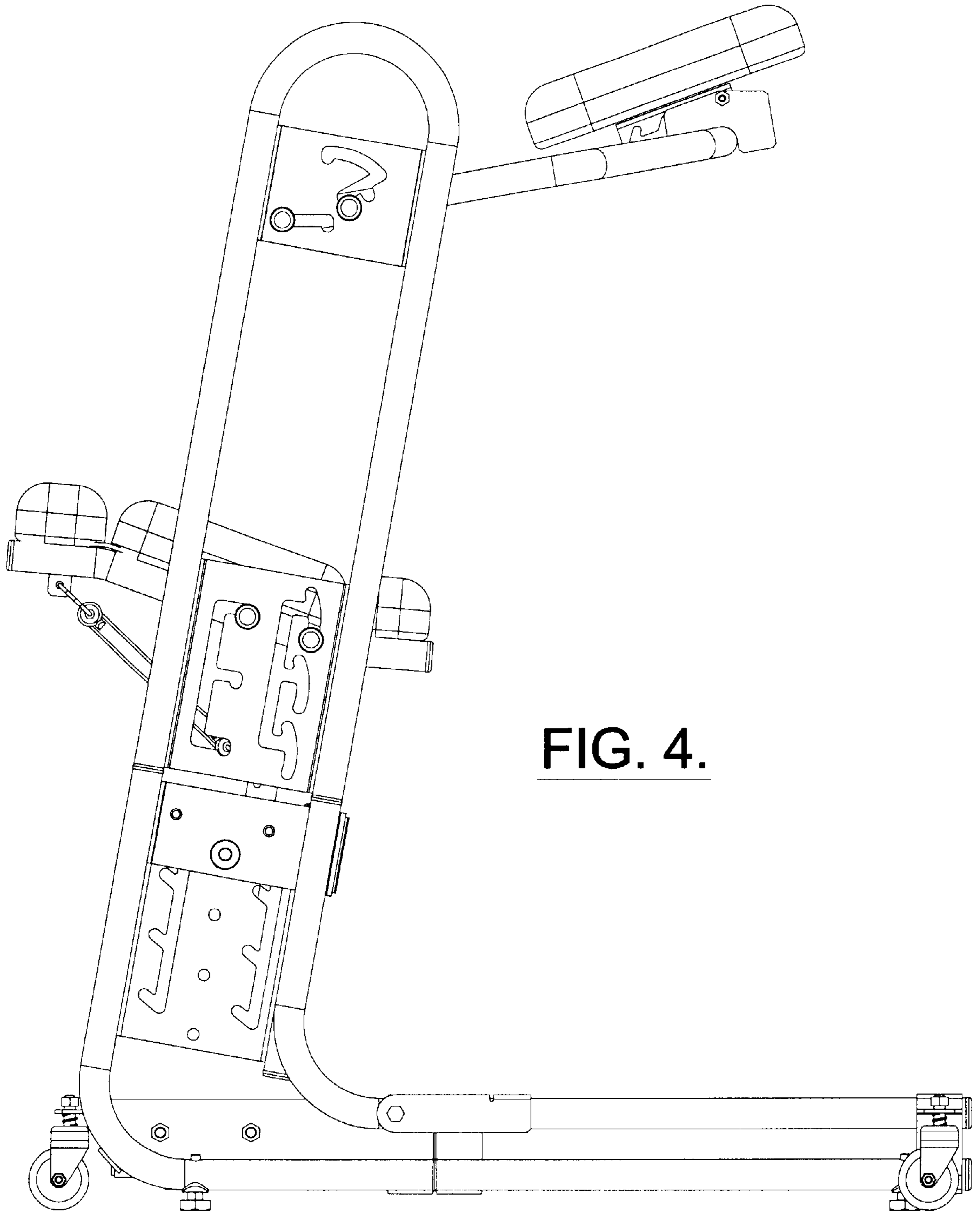


FIG. 4.