



US00D461958S

(12) **United States Design Patent**
Liao

(10) **Patent No.:** **US D461,958 S**

(45) **Date of Patent:** **** Aug. 27, 2002**

(54) **INSERT FOR A GOLF BAG TO PROTECT GOLF CLUBS**

(75) **Inventor:** **Gordon Liao, Yung Kang (TW)**

(73) **Assignee:** **Unique Product & Design Co., Ltd., Tainan Hsien (TW)**

(**) **Term:** **14 Years**

(21) **Appl. No.:** **29/147,572**

(22) **Filed:** **Sep. 1, 2001**

(51) **LOC (7) Cl.** **03-99**

(52) **U.S. Cl.** **D3/320**

(58) **Field of Search** D3/318, 320, 804, D3/254; 206/315.2, 315.3, 315.4, 315.5, 315.6, 315.7, 315.8; 248/96; 211/70.2

(56) **References Cited**

U.S. PATENT DOCUMENTS

1,741,057	A	*	12/1929	Howe	206/315.8
4,173,241	A	*	11/1979	Stock	206/315.6
D287,071	S	*	12/1986	Jobe	D3/320
D323,741	S	*	2/1992	Antonious	D3/320
5,103,974	A	*	4/1992	Antonious	206/315.6

D327,168	S	*	6/1992	Antonious	D3/320
D371,000	S	*	6/1996	Smolenski	D3/320
D391,082	S	*	2/1998	Kim	D3/320
D411,665	S	*	6/1999	Wang	D3/320
5,954,199	A	*	9/1999	Stratton	206/315.4
6,044,880	A	*	4/2000	Maeng	206/315.4

* cited by examiner

Primary Examiner—Prabhakar Deshmukh

(74) *Attorney, Agent, or Firm*—Pro-Techt International Services

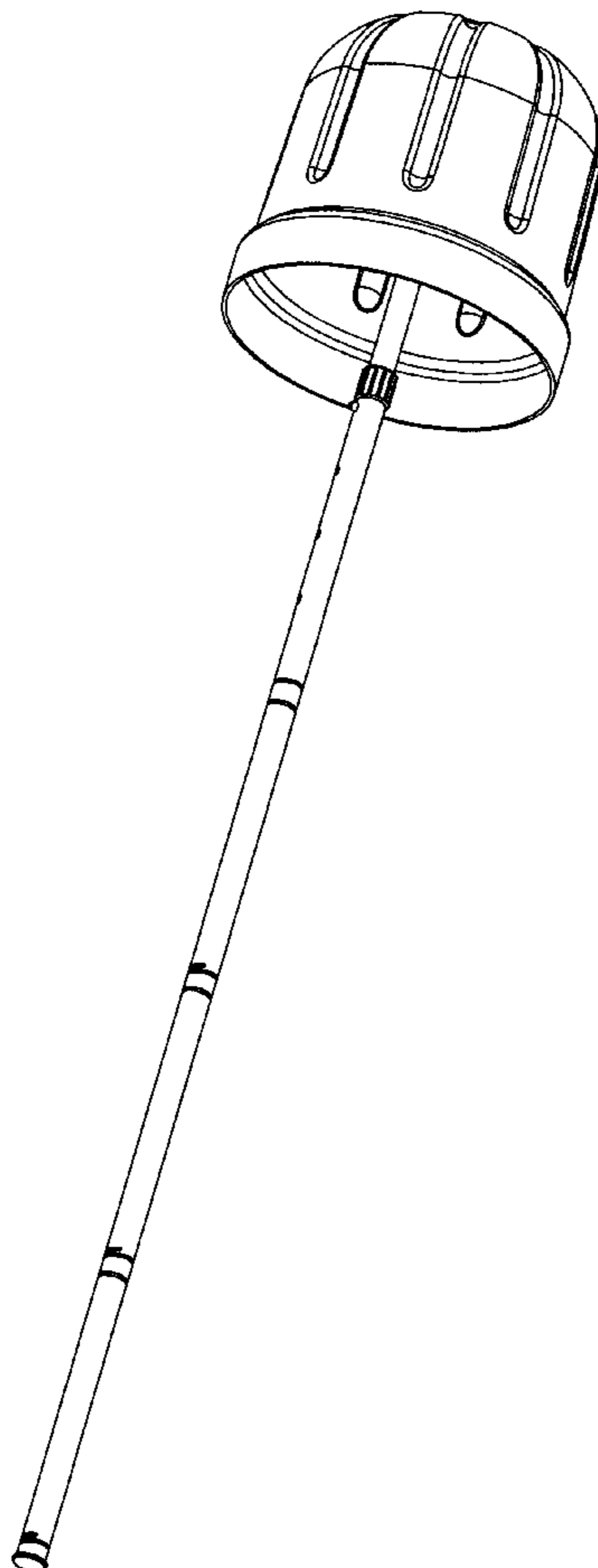
(57) **CLAIM**

The ornamental design for an insert for a golf bag to protect golf clubs, as shown and described.

DESCRIPTION

FIG. 1 is a perspective view of an insert for a golf bag to protect golf clubs showing my new design; FIG. 2 is a right side elevational view thereof; FIG. 3 is a top plan view thereof; FIG. 4 is a front elevational view thereof; FIG. 5 is a bottom plan view thereof; FIG. 6 is a left side elevational view thereof; and, FIG. 7 is a rear elevational view.

1 Claim, 4 Drawing Sheets



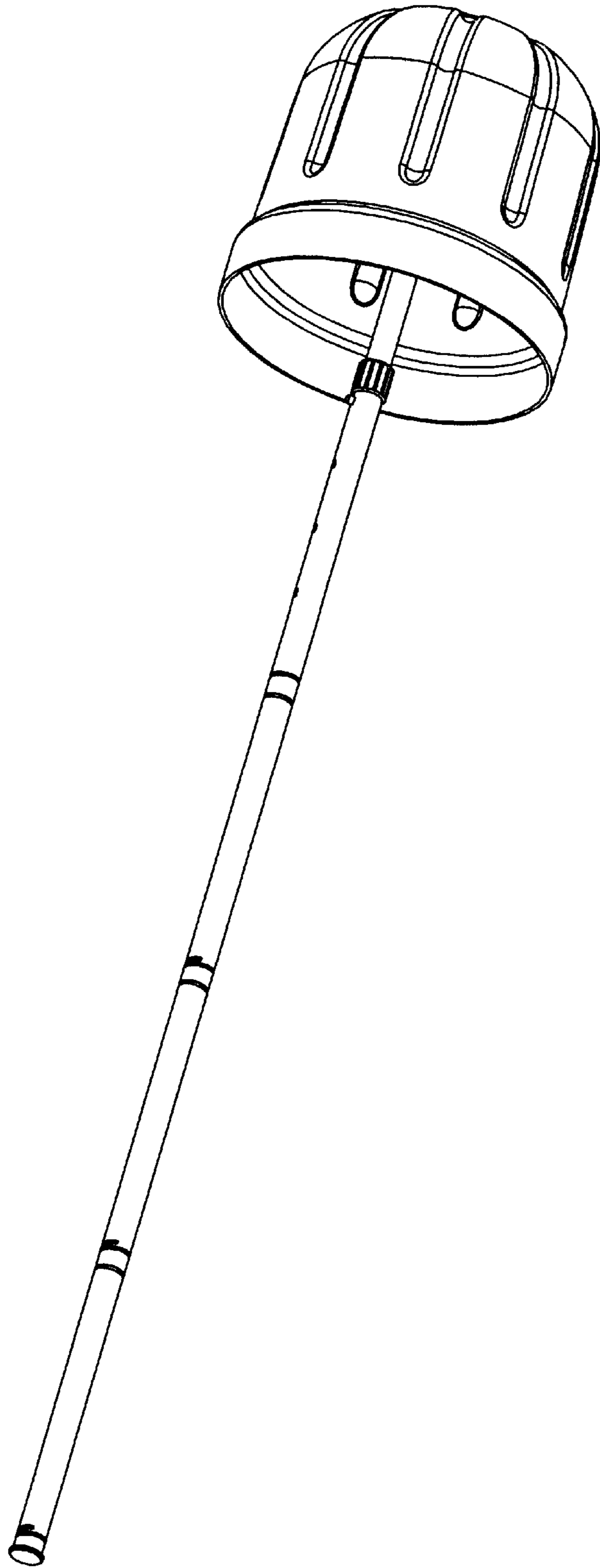


FIG. 1

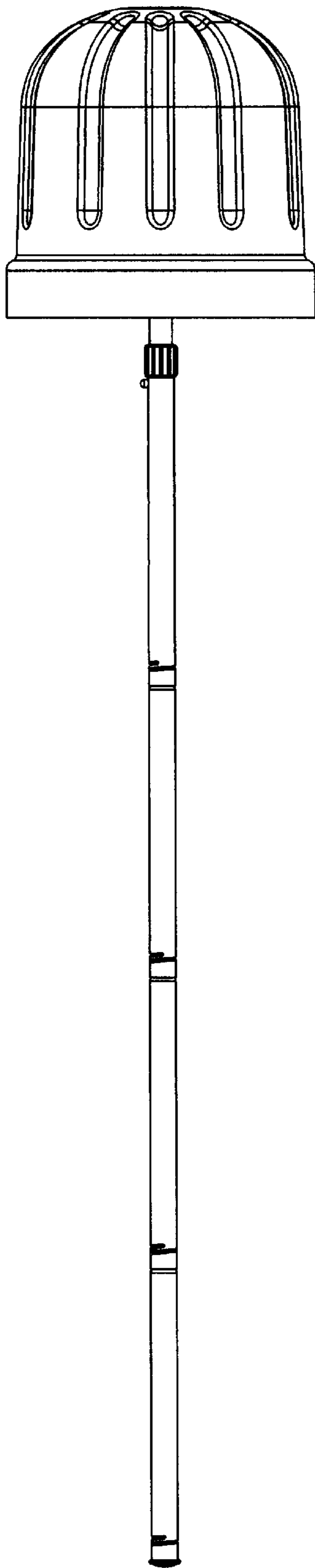


FIG. 2

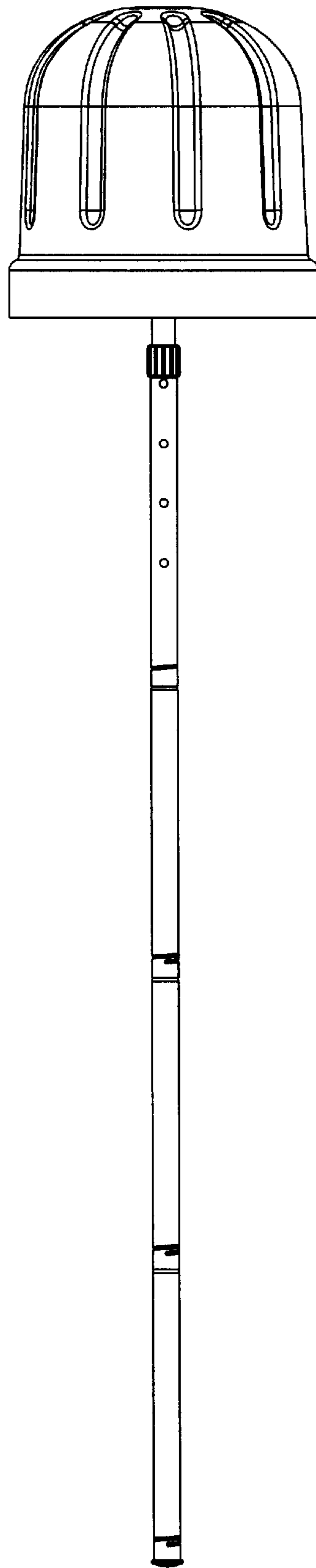


FIG. 4

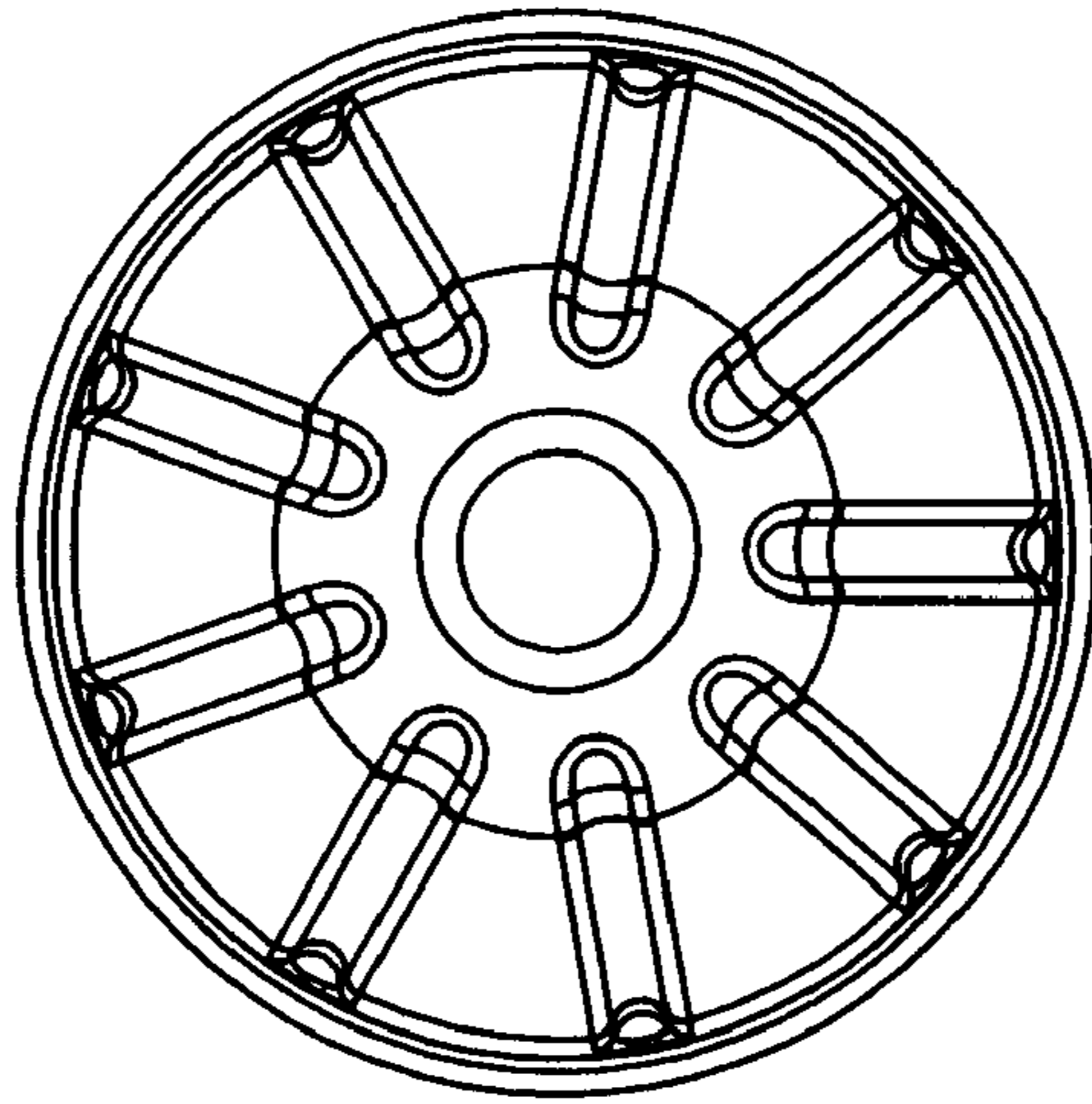


FIG. 3

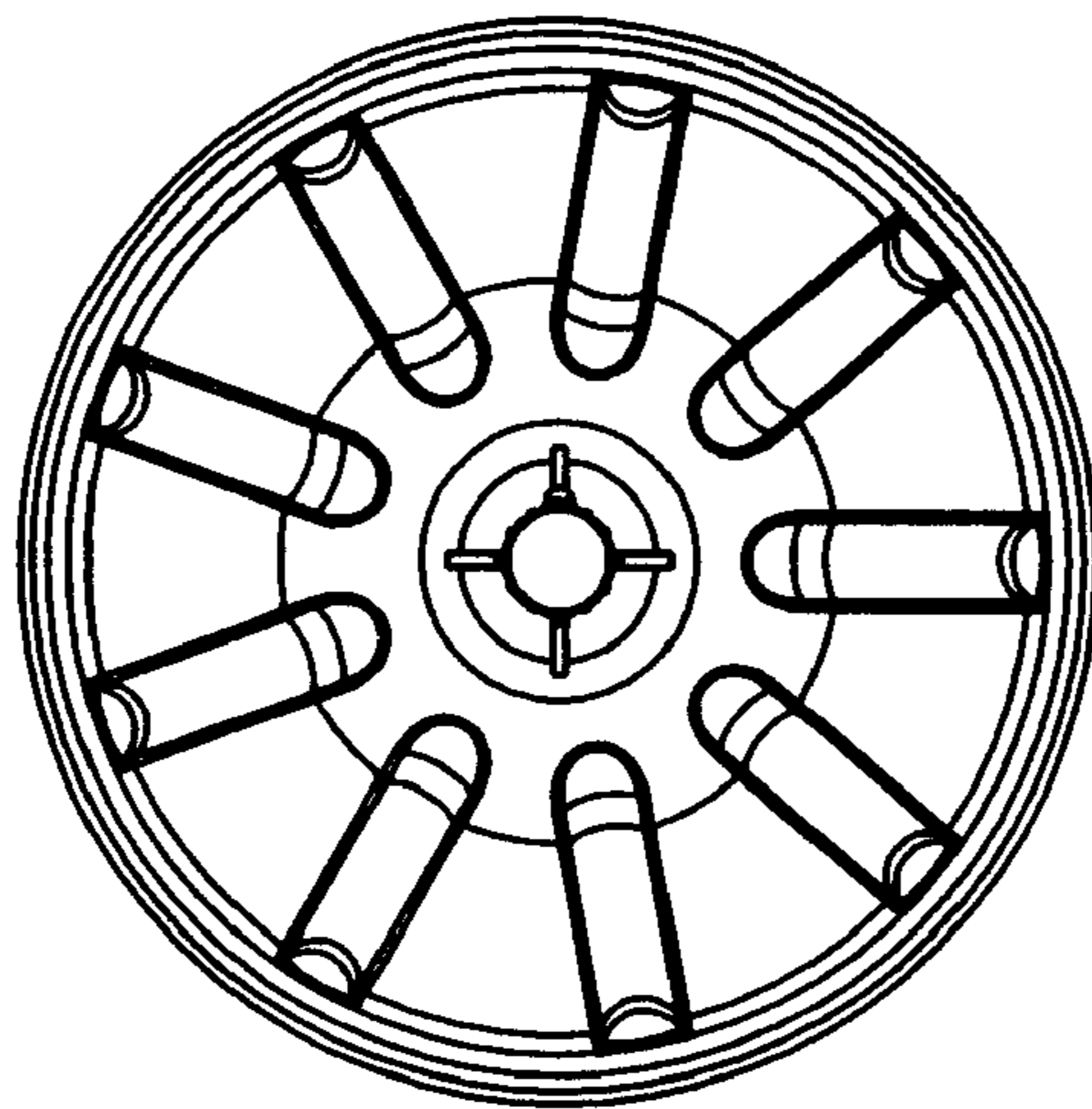


FIG. 5

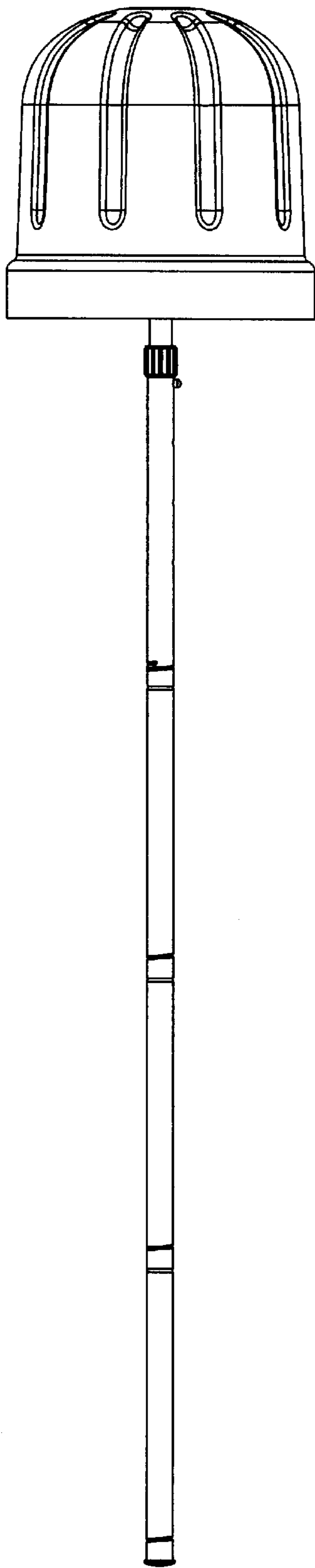


FIG. 6

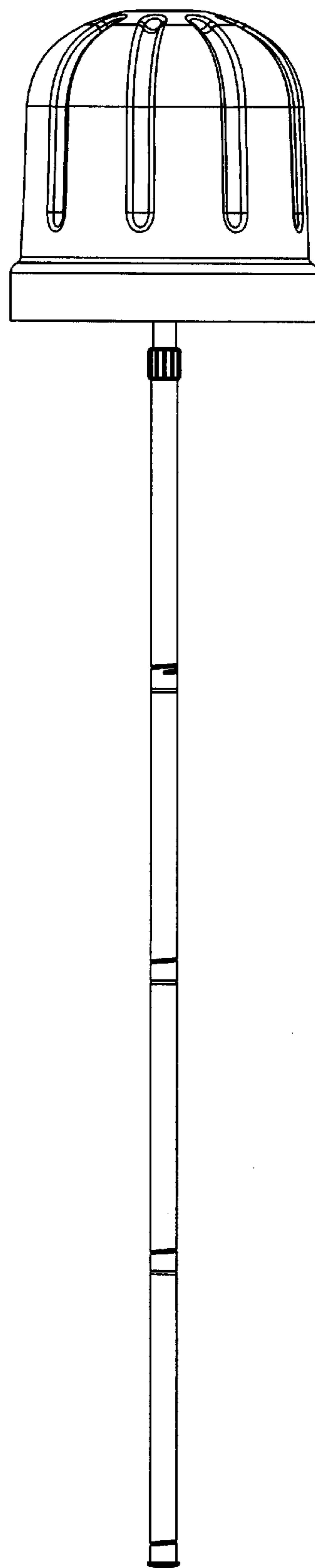


FIG. 7