



US00D461957S

(12) **United States Design Patent**
Hammett

(10) **Patent No.:** **US D461,957 S**

(45) **Date of Patent:** **** Aug. 27, 2002**

(54) **TWO LITER BOTTLE CRATE**

(75) **Inventor:** **Roy Hammett, Odessa, FL (US)**

(73) **Assignee:** **Norseman Plastics Limited (CA)**

(**) **Term:** **14 Years**

(21) **Appl. No.:** **29/146,874**

(22) **Filed:** **Aug. 20, 2001**

(51) **LOC (7) Cl.** **03-01**

(52) **U.S. Cl.** **D3/314**

(58) **Field of Search** D3/304, 307-314;
D11/155, 156; 206/201, 427, 203, 503,
480, 429; 220/507, 509, 513, 516, 676,
DIG. 2, DIG. 12, DIG. 15

(56) **References Cited**

U.S. PATENT DOCUMENTS

5,060,819 A	10/1991	Apps	
D325,279 S	4/1992	Apps	
D329,931 S	9/1992	Apps	
D330,621 S	10/1992	Apps	
D356,211 S	* 3/1995	Apps et al. D3/304
D361,431 S	* 8/1995	Koefeldt D3/304
5,487,487 A	* 1/1996	Hammett 206/503
D379,121 S	* 5/1997	Apps et al. D3/312

D379,717 S	6/1997	Apps et al.	
D401,764 S	12/1998	Apps et al.	
5,842,572 A	* 12/1998	Apps et al. 206/503
5,855,277 A	1/1999	Apps et al.	
D417,784 S	* 12/1999	Umiker D3/304
D420,220 S	* 2/2000	Apps et al. D3/304
6,073,793 A	6/2000	Apps et al.	
6,131,730 A	* 10/2000	Hsu 206/203

* cited by examiner

Primary Examiner—Louis S. Zarfes

Assistant Examiner—Deanne Levy

(74) *Attorney, Agent, or Firm*—Nixon & Vanderhye P.C.

(57) **CLAIM**

The ornamental design for a “two liter bottle crate”, as shown and described.

DESCRIPTION

FIG. 1 is a perspective view of the crate in accordance with the invention;

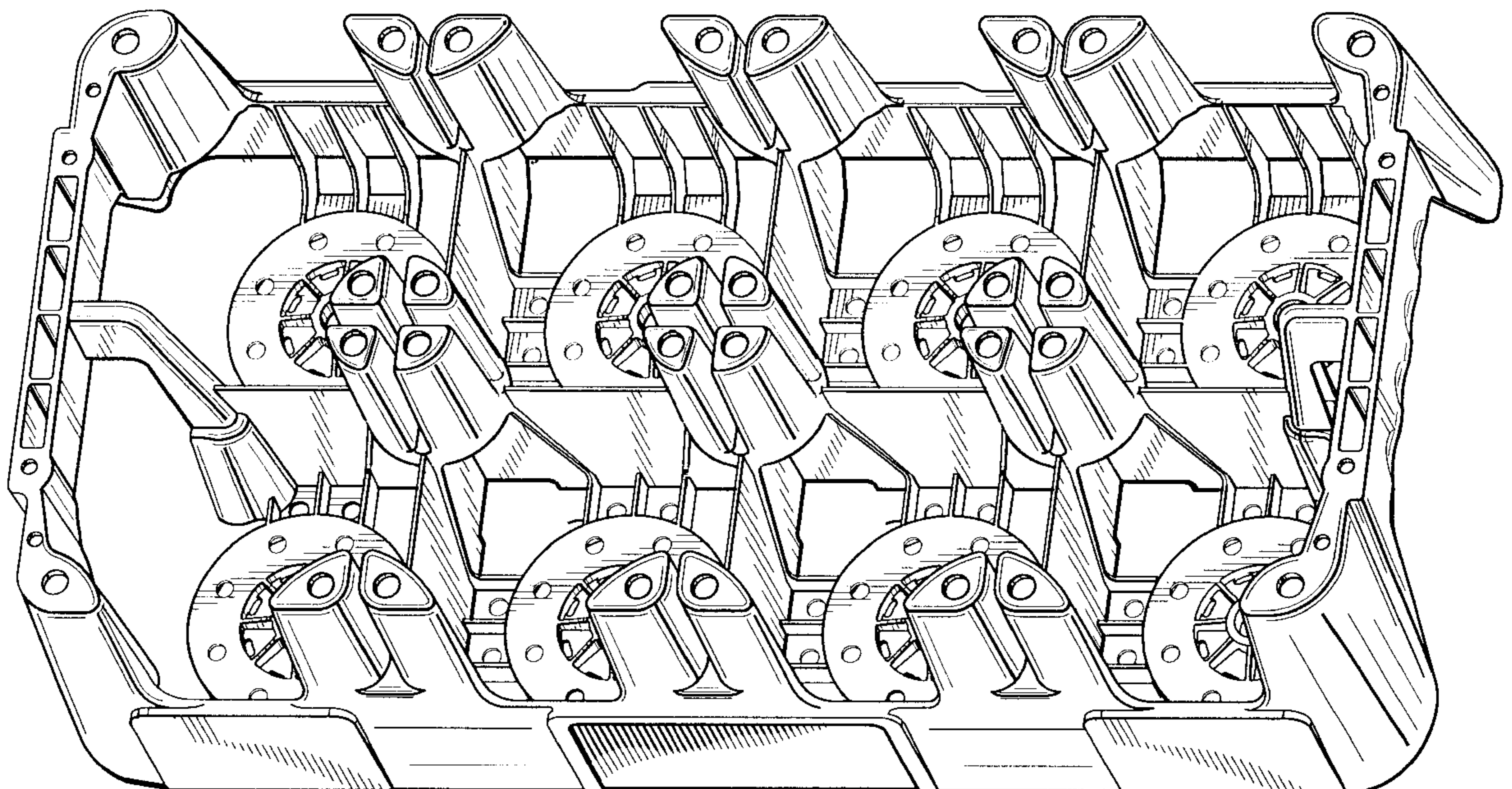
FIG. 2 is a right side elevation view thereof, the left side being identical thereto;

FIG. 3 is a right end view thereof, the left end being identical thereto;

FIG. 4 is a top plan view thereof; and,

FIG. 5 is a bottom plan view thereof.

1 Claim, 4 Drawing Sheets



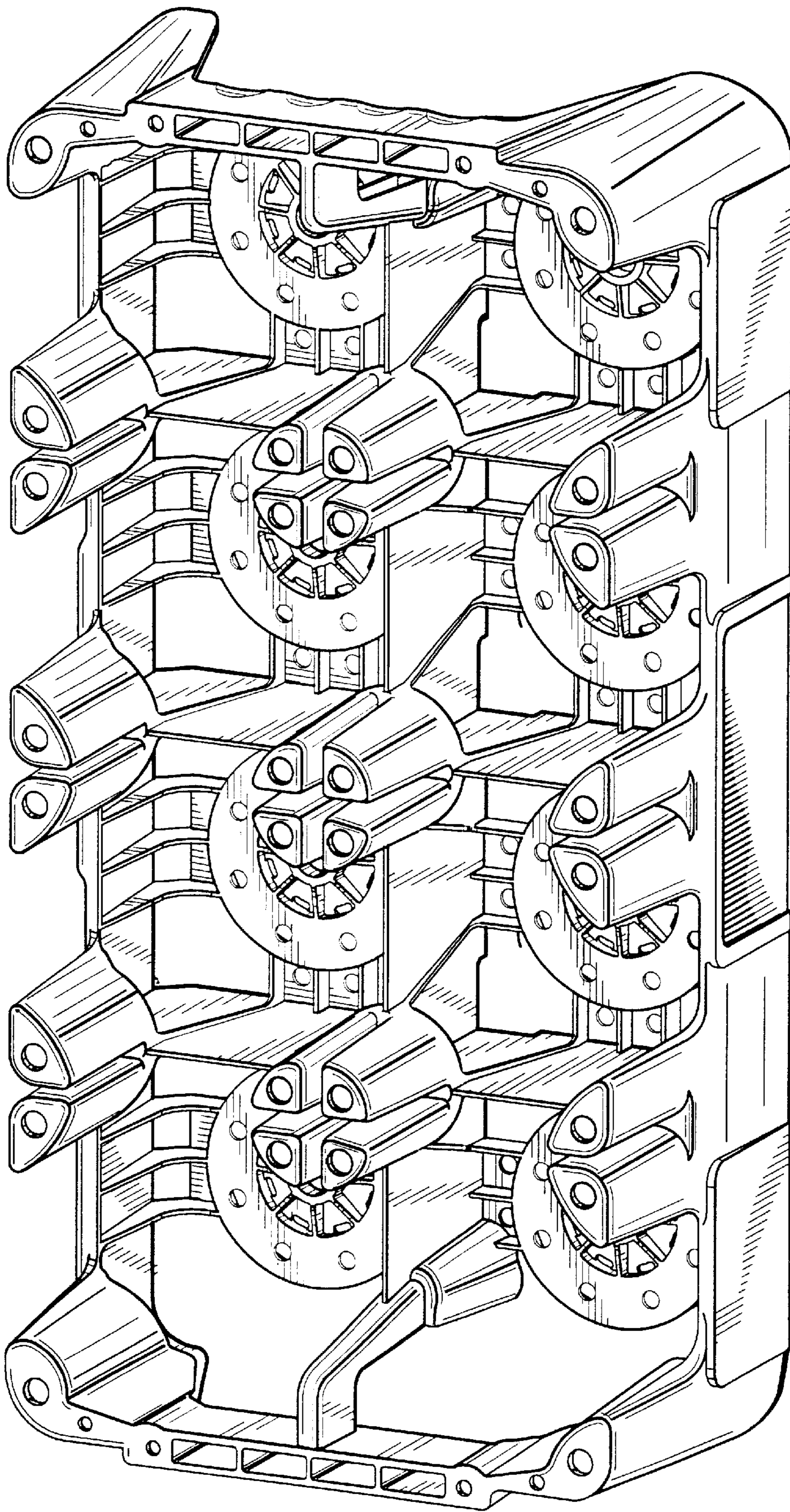


Fig.1

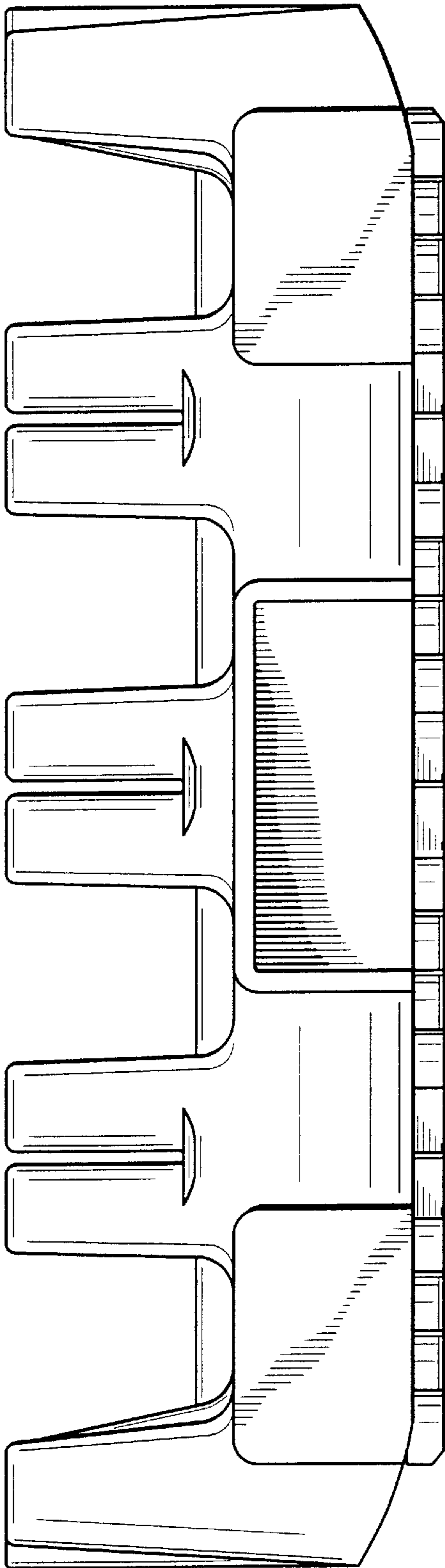


Fig. 2

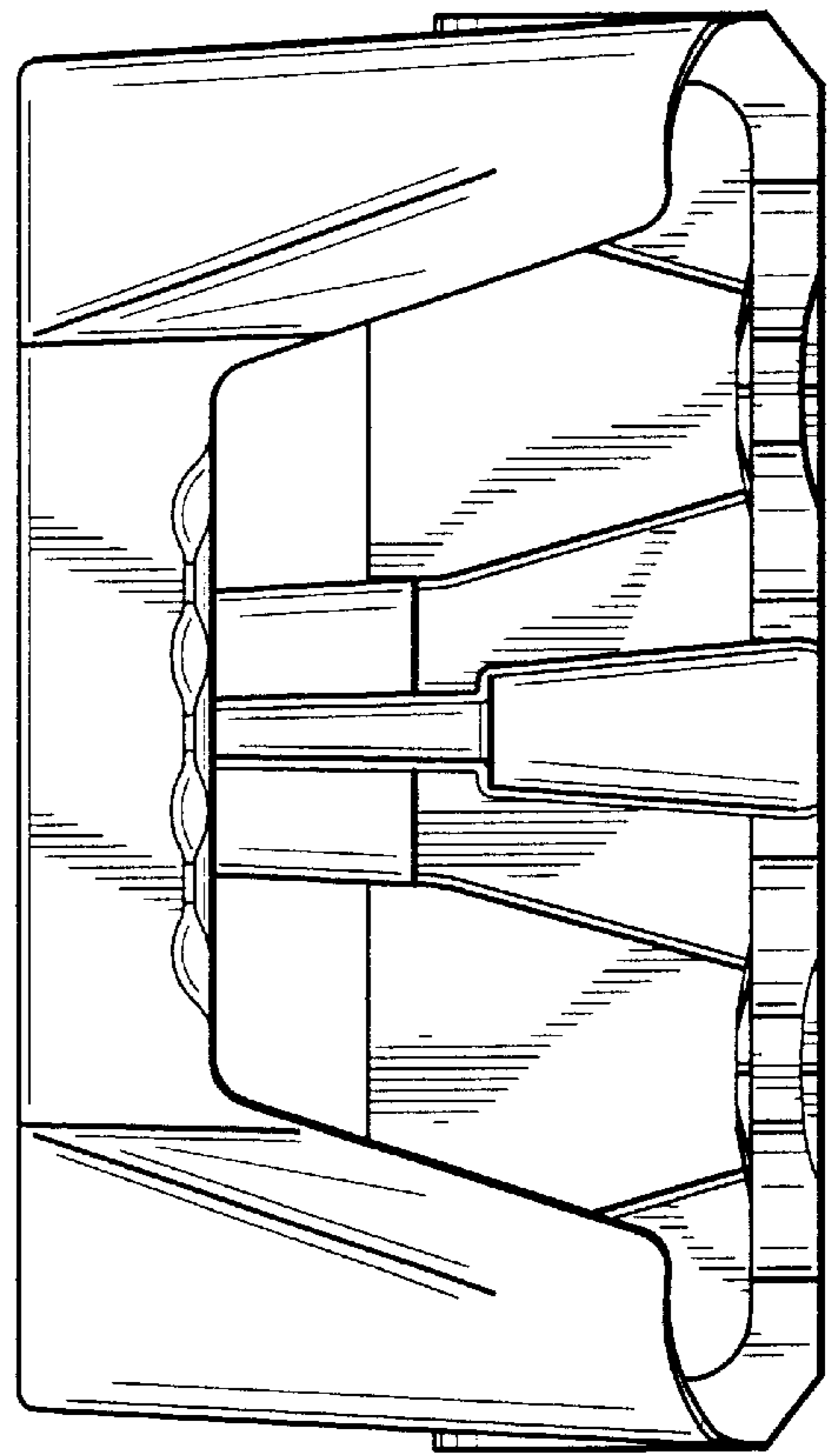


Fig. 3

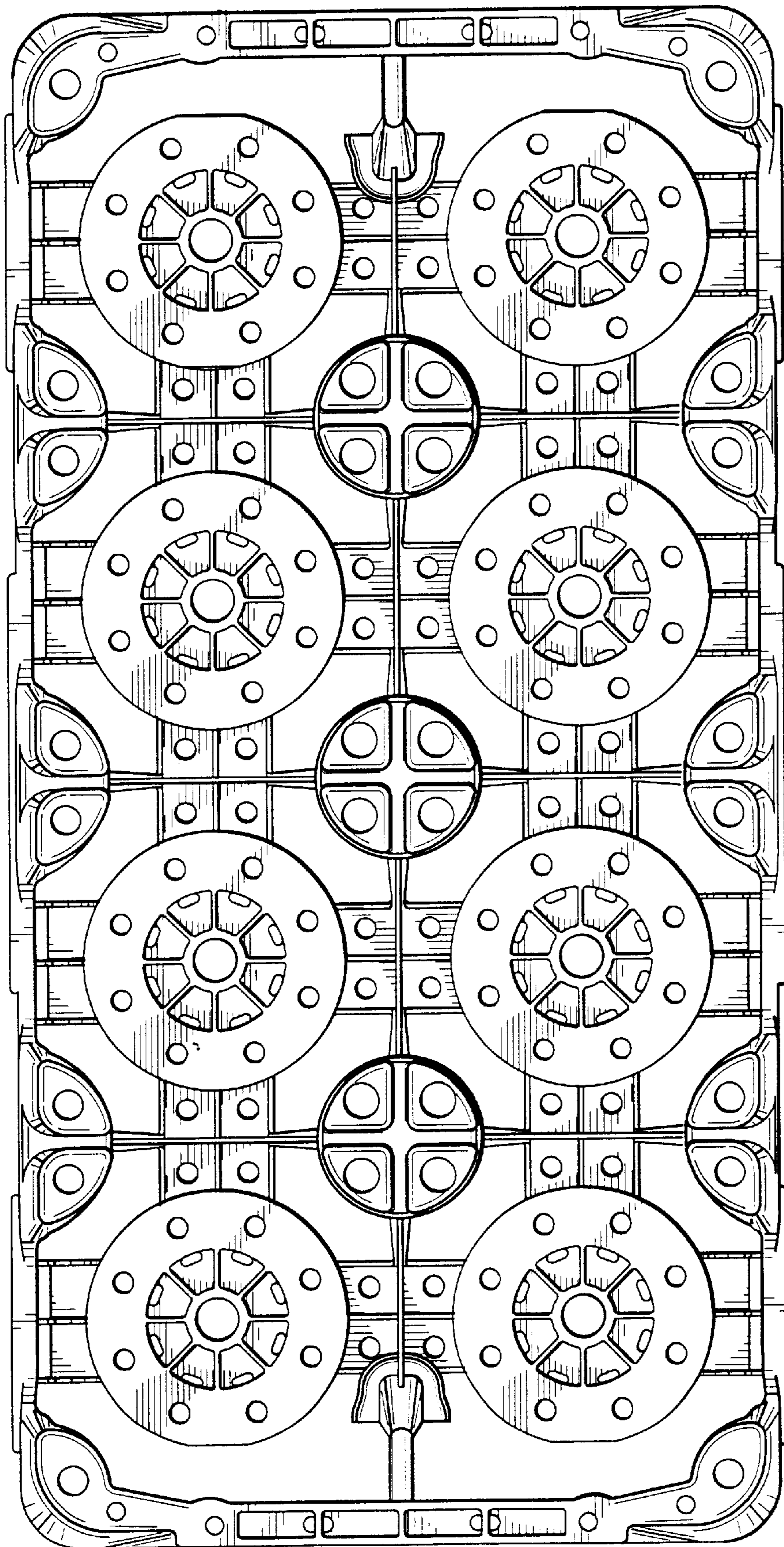


Fig.4

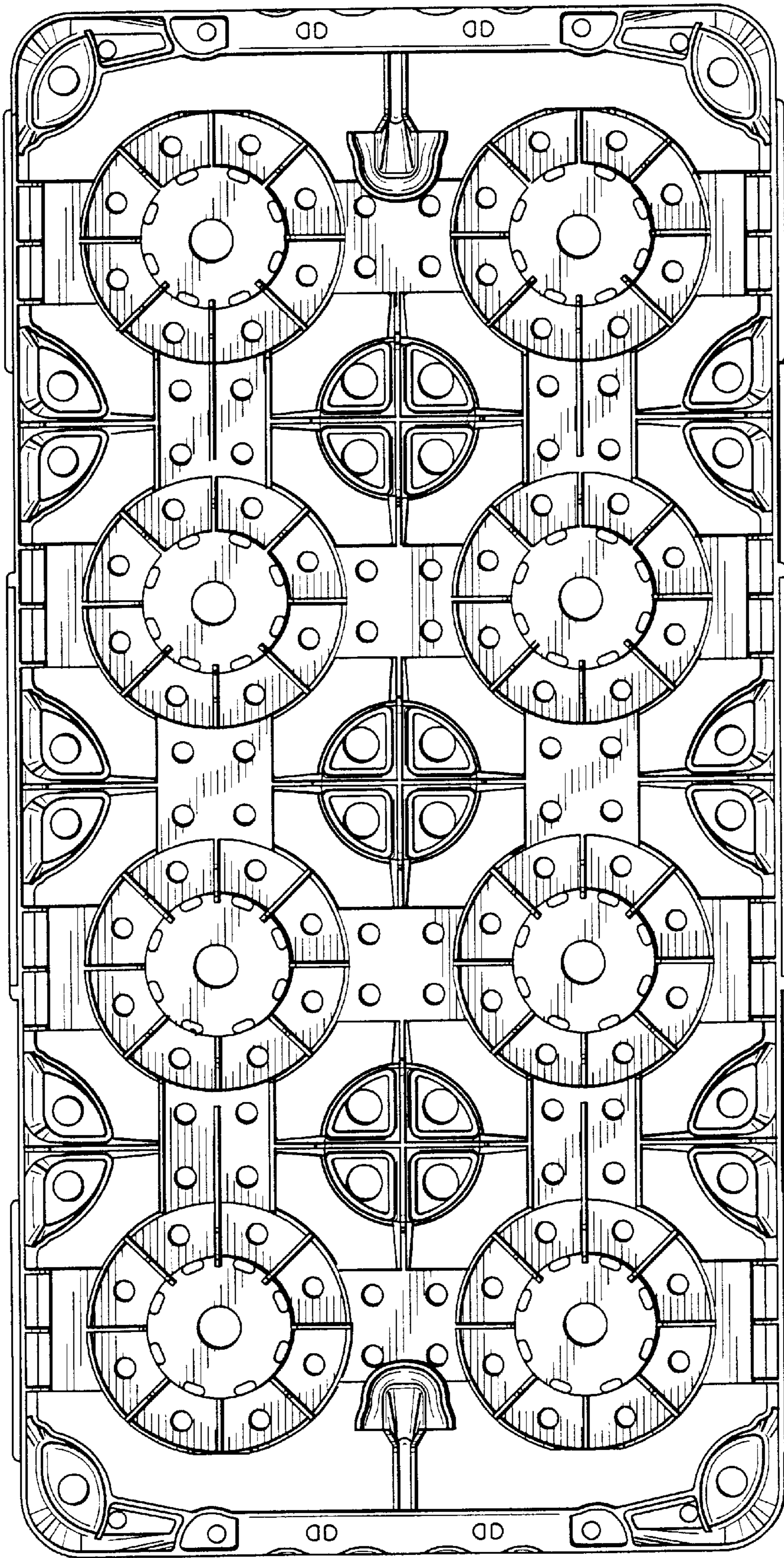


Fig. 5