



US00D461955S

(12) **United States Design Patent**
Romaen et al.

(10) **Patent No.:** **US D461,955 S**

(45) **Date of Patent:** **** Aug. 27, 2002**

(54) **KEYLESS PISTOL BOX**

(75) Inventors: **Andrew Romaen**, Chicago; **Edwin Dizon Manalang**, Burbank, both of IL (US)

(73) Assignee: **Homak Manufacturing Co., Inc.**, Bedford Park, IL (US)

(**) Term: **14 Years**

(21) Appl. No.: **29/135,414**

(22) Filed: **Jan. 11, 2001**

(51) **LOC (7) Cl.** **03-01**

(52) **U.S. Cl.** **D3/262; D99/28**

(58) **Field of Search** D3/272, 273, 294, D3/262; D99/28; 109/45, 46, 50, 51, 64

(56) **References Cited**

U.S. PATENT DOCUMENTS

D310,304 S	*	9/1990	Carmichael	D99/28
D319,329 S	*	8/1991	Ogasawara et al.	D99/28
D328,399 S	*	8/1992	McGrory et al.	D99/28
D335,378 S	*	5/1993	Mariol	D99/28
D350,002 S	*	8/1994	Voila	D99/28
D368,249 S	*	3/1996	Ferrer	D99/28
D375,608 S	*	11/1996	Berry	D99/28

D399,632 S * 10/1998 Davis et al. D99/28

D410,130 S * 5/1999 Kerr et al. D99/28

D426,059 S * 6/2000 Siler et al. D99/28

* cited by examiner

Primary Examiner—Philip S. Hyder

(74) *Attorney, Agent, or Firm*—Fitch, Even, Tabin & Flannery

(57) **CLAIM**

We claim the ornamental design for a keyless pistol box, as shown and described.

DESCRIPTION

FIG. 1 is a perspective view of a keyless pistol box showing our new design;

FIG. 2 is a perspective view of the keyless pistol box with a door open to access the interior of the box;

FIG. 3 is a top plan view of the keyless pistol box of FIG. 1;

FIG. 4 is a side elevational view of the keyless pistol box of FIG. 1;

FIG. 5 is a bottom plan view of the keyless pistol box of FIG. 1; and,

FIG. 6 is a front elevational view of the keyless pistol box of FIG. 1.

1 Claim, 4 Drawing Sheets

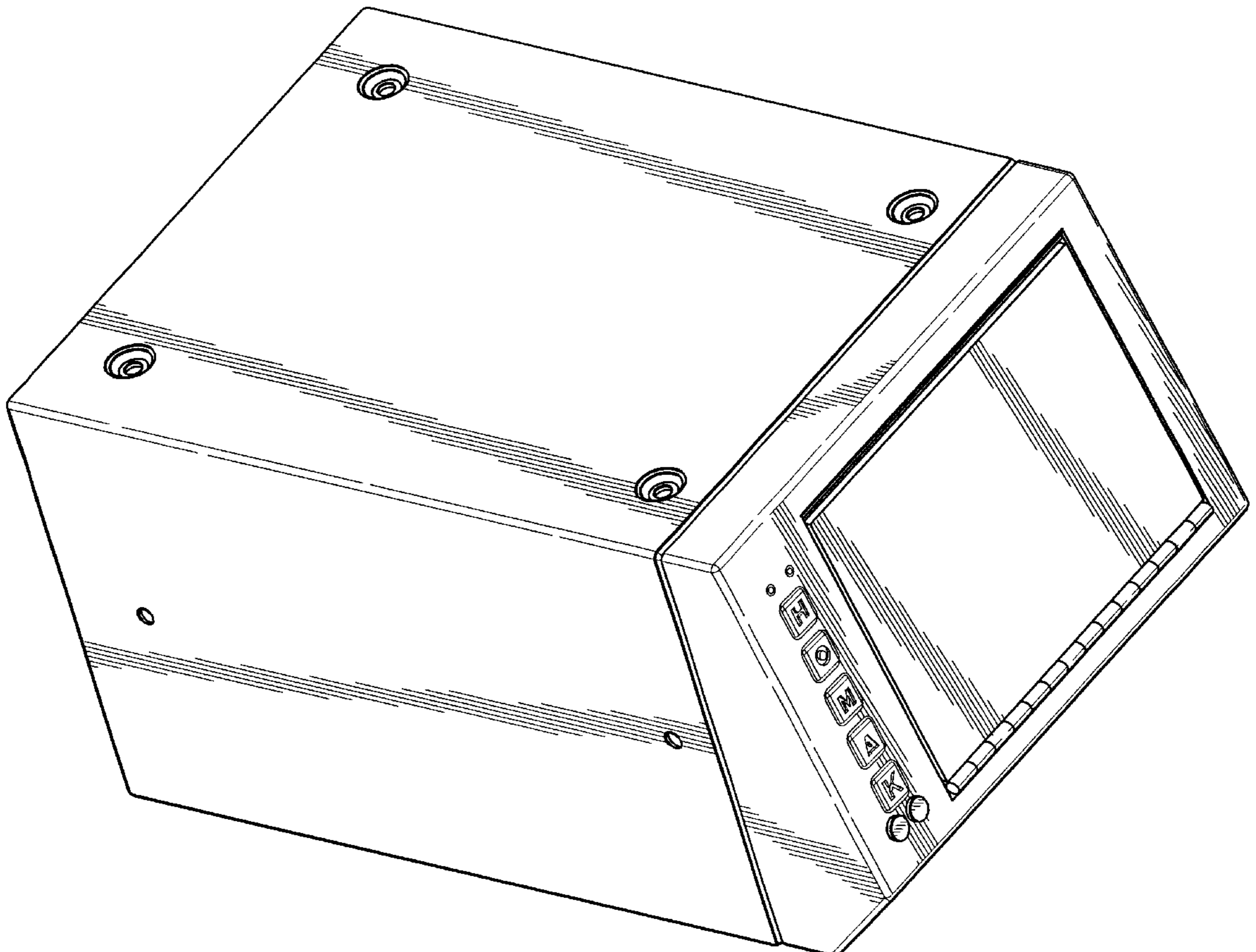


Fig. 1

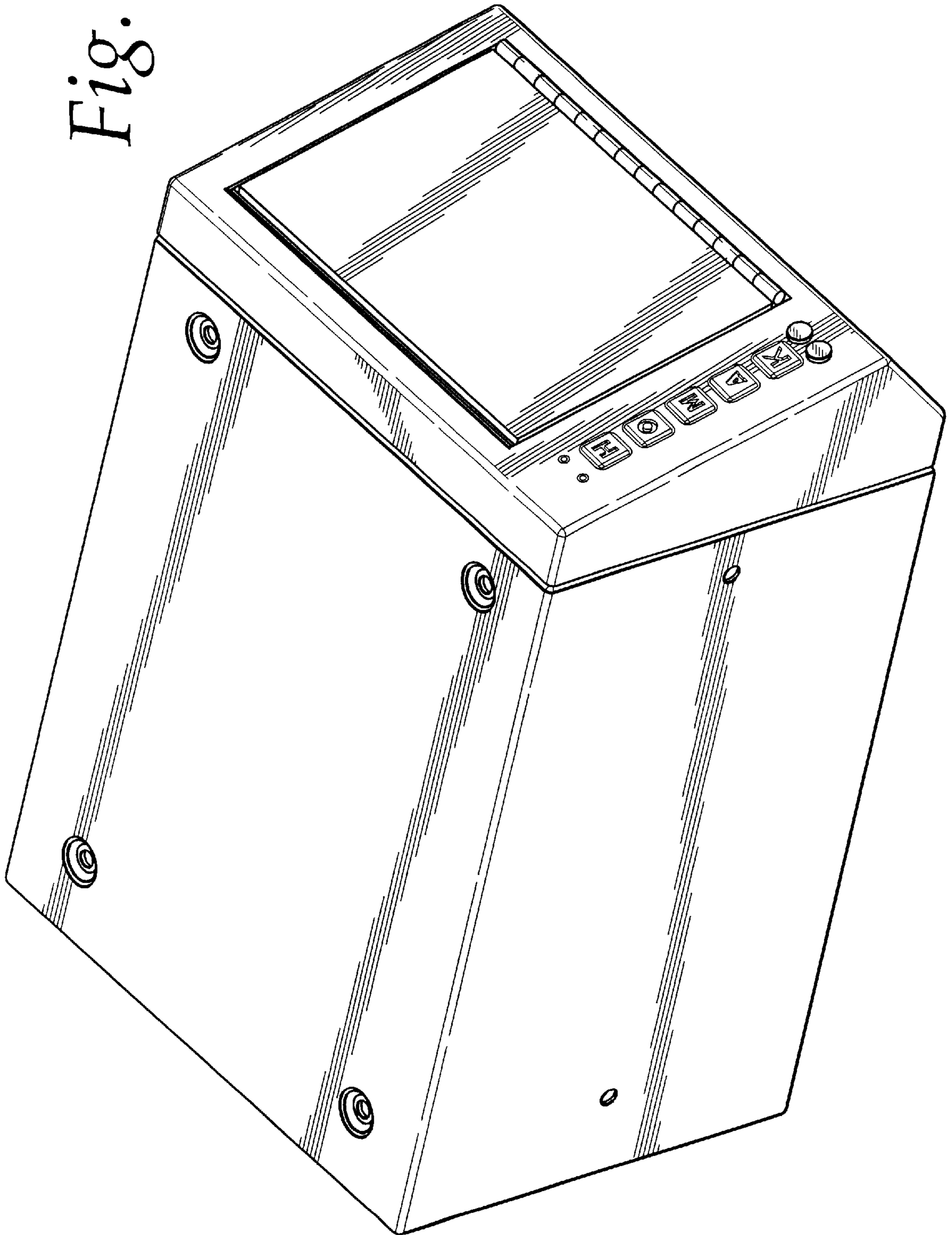


Fig. 2

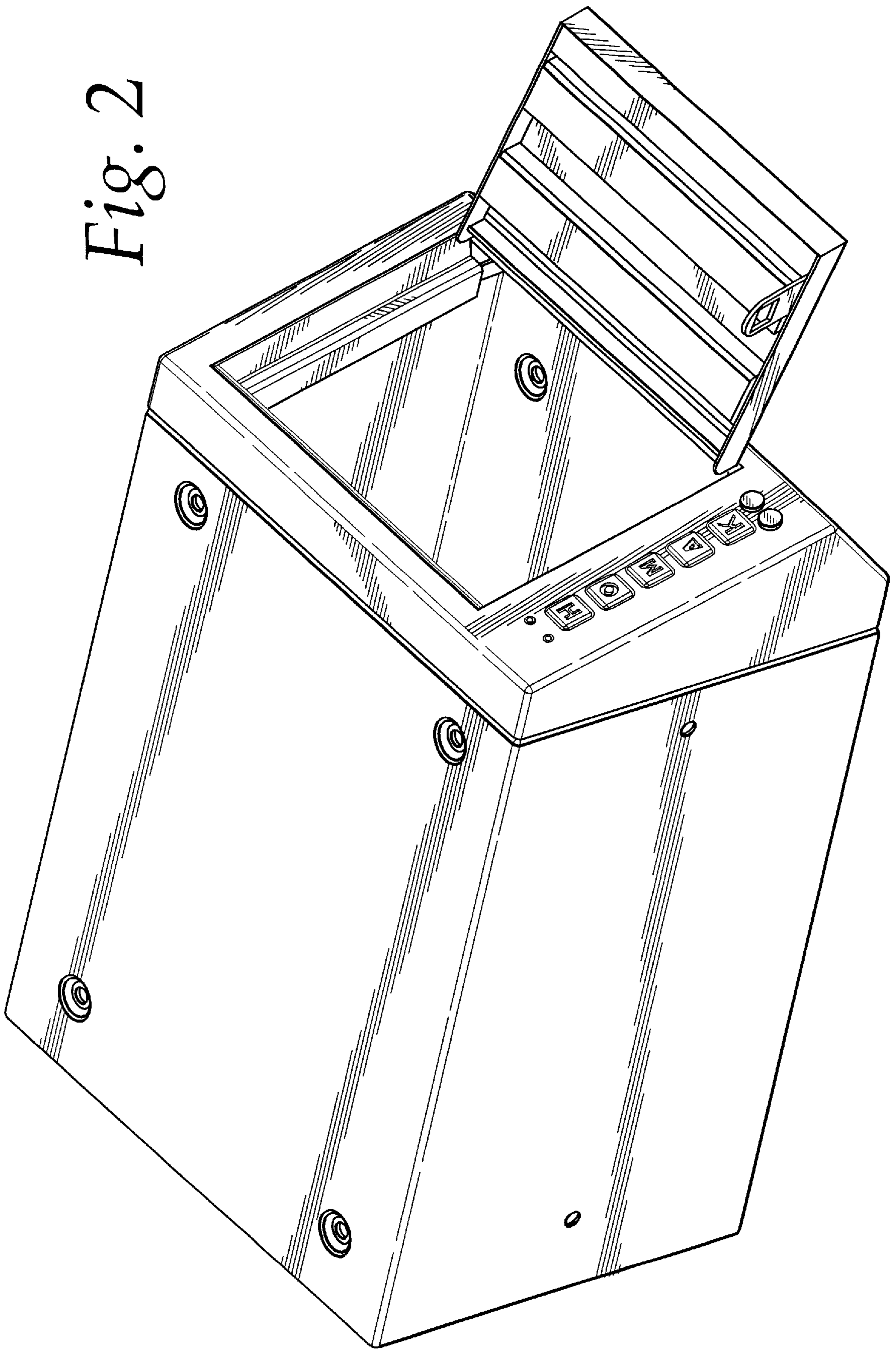


Fig. 3

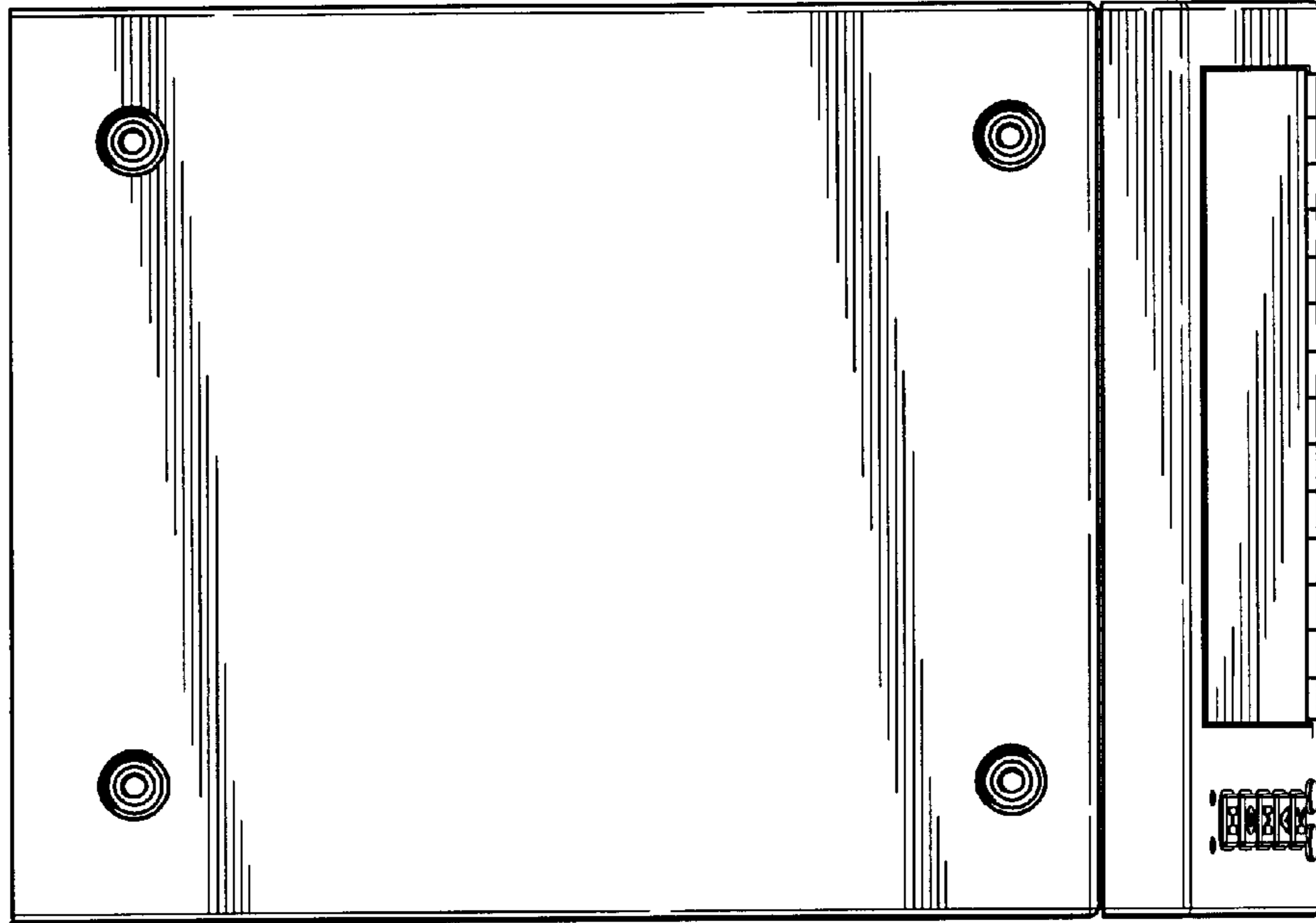


Fig. 4

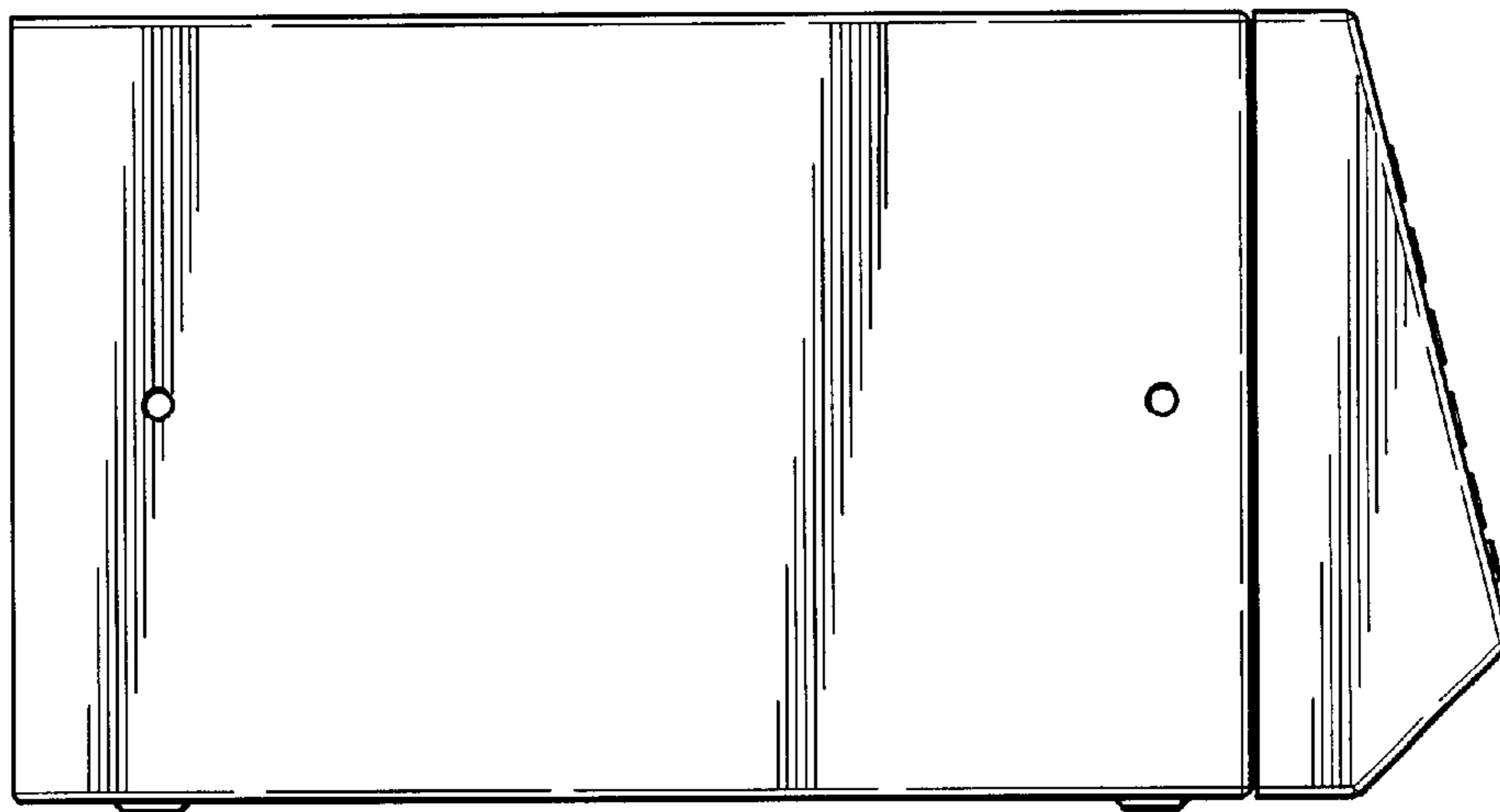


Fig. 5

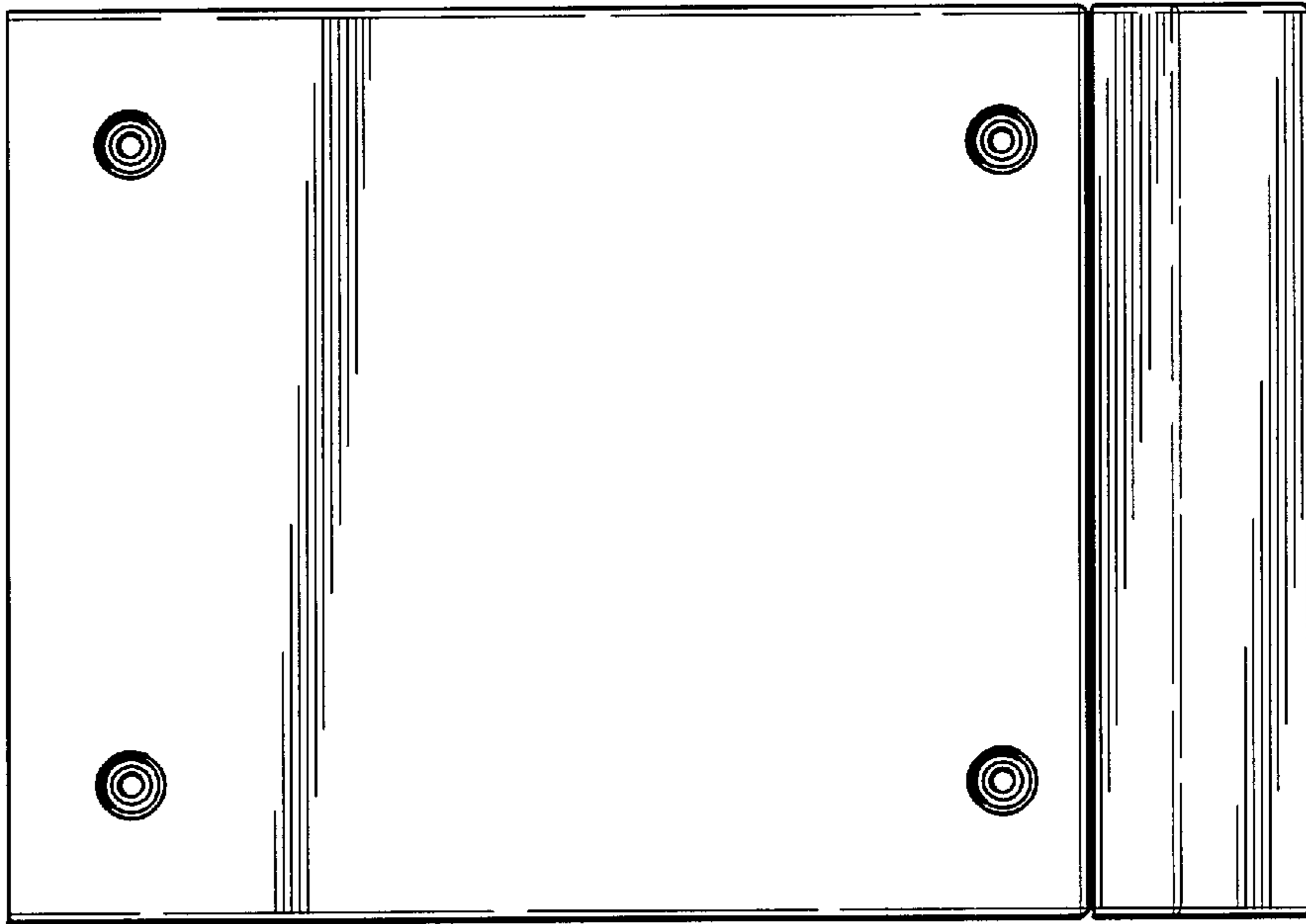


Fig. 6

