



US00D461952S

(12) **United States Design Patent**  
**Chan**

(10) **Patent No.:** **US D461,952 S**

(45) **Date of Patent:** **\*\* Aug. 27, 2002**

(54) **EYEGLASS CLIP (II)**

(76) **Inventor:** **Li-Li Chan**, 5th Fl., No. 15, Lane 155,  
Kuang Fu N. Road, Taipei (TW)

(\*\*) **Term:** **14 Years**

(21) **Appl. No.:** **29/146,764**

(22) **Filed:** **Aug. 16, 2001**

(51) **LOC (7) Cl.** ..... **03-01**

(52) **U.S. Cl.** ..... **D3/219; D3/266; D12/417**

(58) **Field of Search** ..... **D3/219, 266, 265,**  
**D3/263, 264; D16/130; 206/5, 5.1; 248/902;**  
**D12/417; D19/65; 351/111, 112**

(56) **References Cited**

**U.S. PATENT DOCUMENTS**

D433,062 S	*	10/2000	Ho	.....	D19/65 X
D437,113 S	*	2/2001	Koehler	.....	D3/219
D438,001 S	*	2/2001	Lin	.....	D3/265
D440,400 S	*	4/2001	Baldwin et al.	.....	D3/266
6,210,003 B1	*	4/2001	Chan	.....	351/112
D448,563 S	*	10/2001	Kim	.....	D3/266

\* cited by examiner

*Primary Examiner*—Catherine R. Oliver  
(74) *Attorney, Agent, or Firm*—Rosenberg, Klein & Lee

(57) **CLAIM**

The ornamental design for eyeglass clip (II), as shown and described.

**DESCRIPTION**

FIG. 1 is a perspective view of eyeglass clip (II) showing my new design;

FIG. 2 is a front elevation view thereof;

FIG. 3 is a rear elevation view thereof;

FIG. 4 is a left side elevation view thereof;

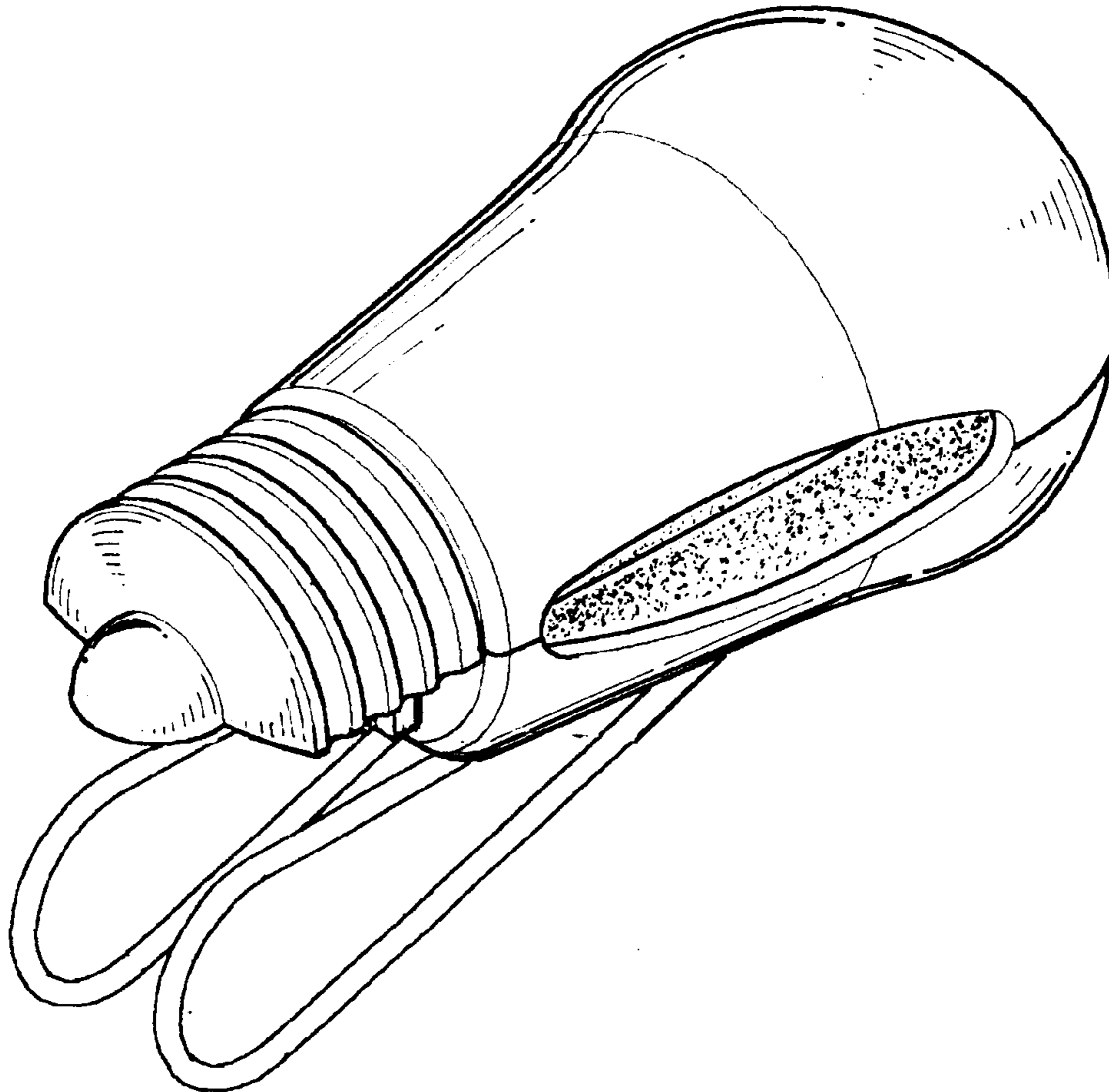
FIG. 5 is a right side elevation view thereof;

FIG. 6 is a top plan view thereof;

FIG. 7 is a bottom plan view thereof; and,

FIG. 8 is a perspective view thereof, the broken lines shown are for illustrative purposes only and form no part of the claimed design.

**1 Claim, 3 Drawing Sheets**



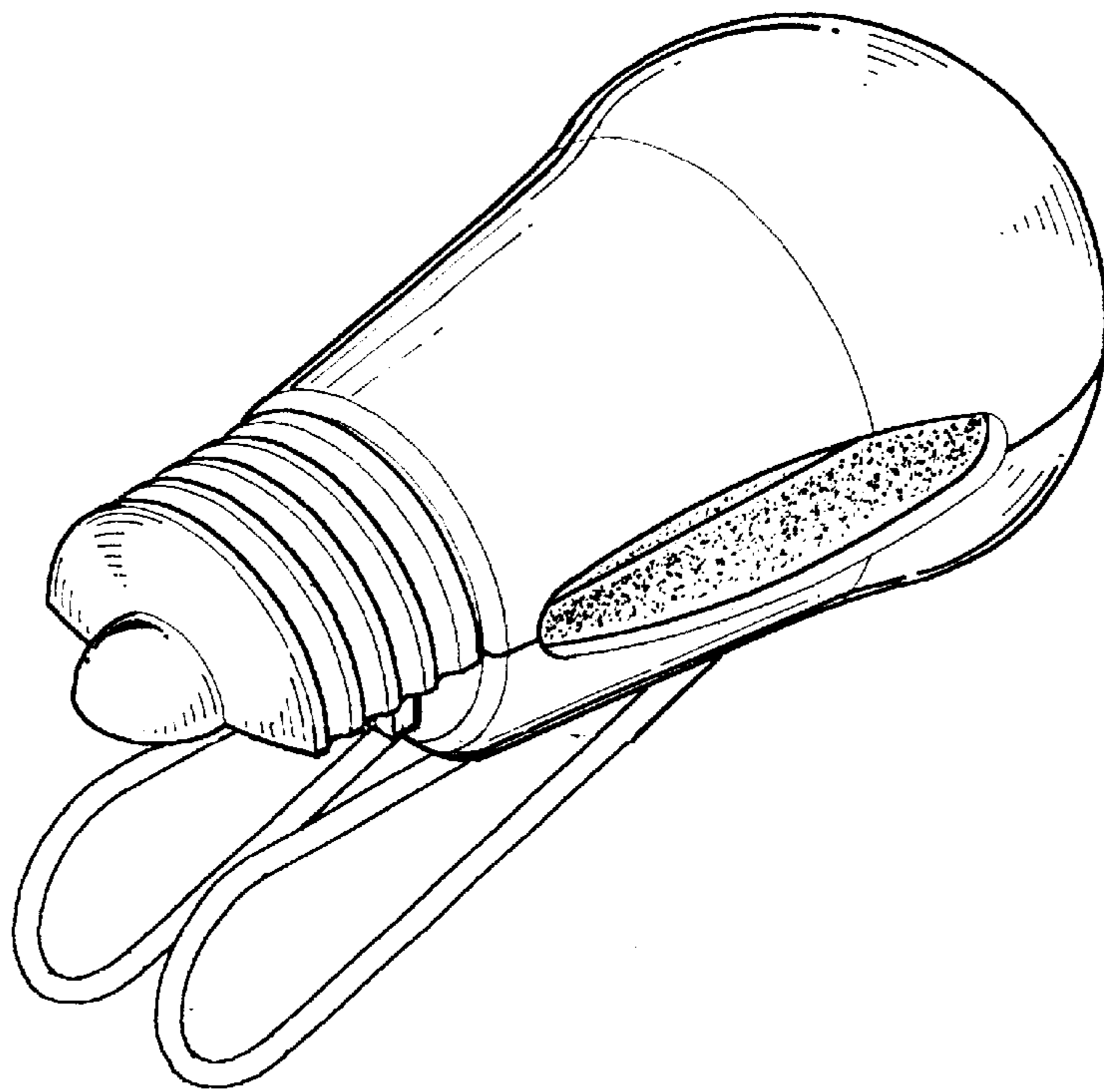


FIG. 1

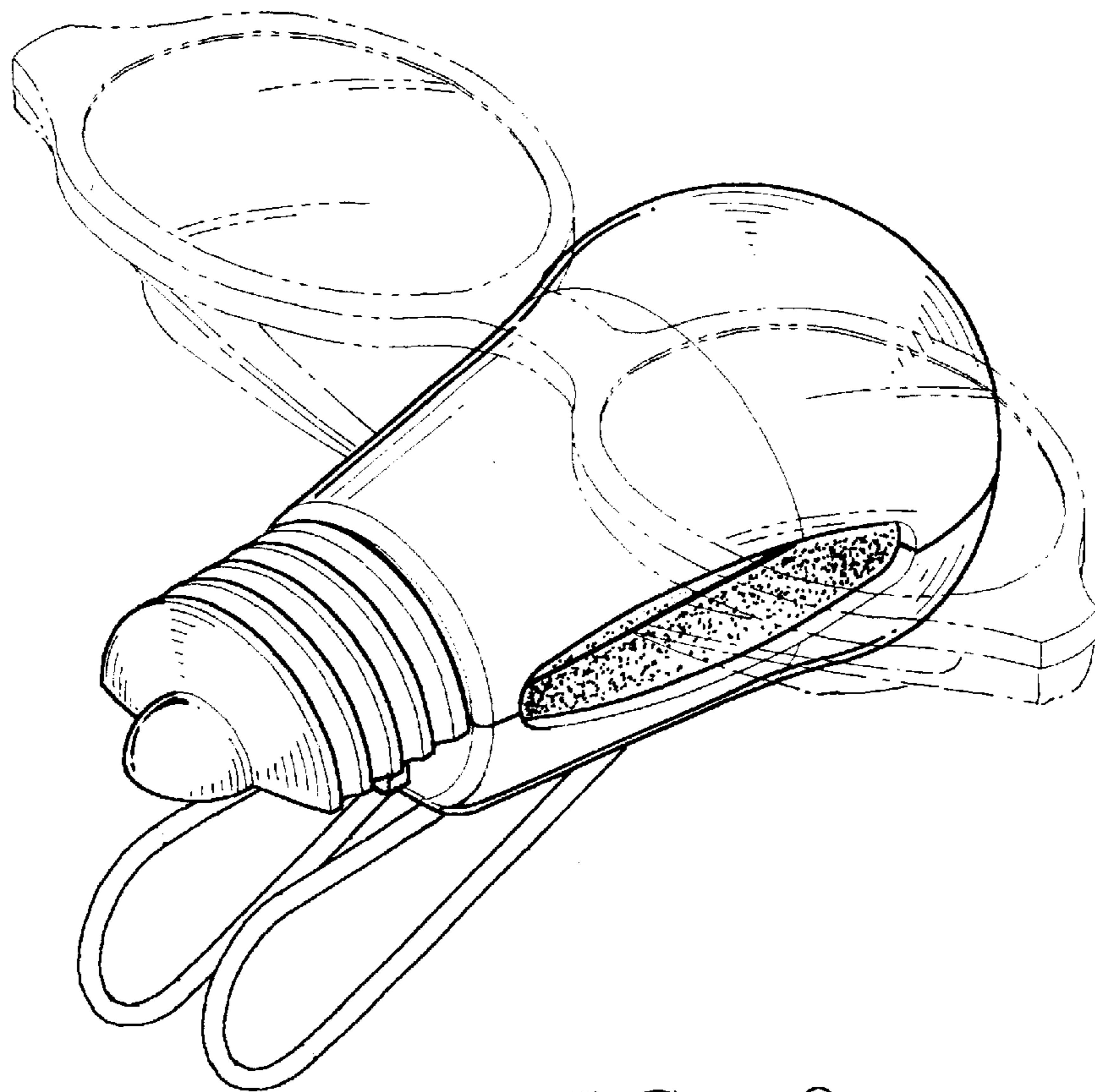


FIG. 8

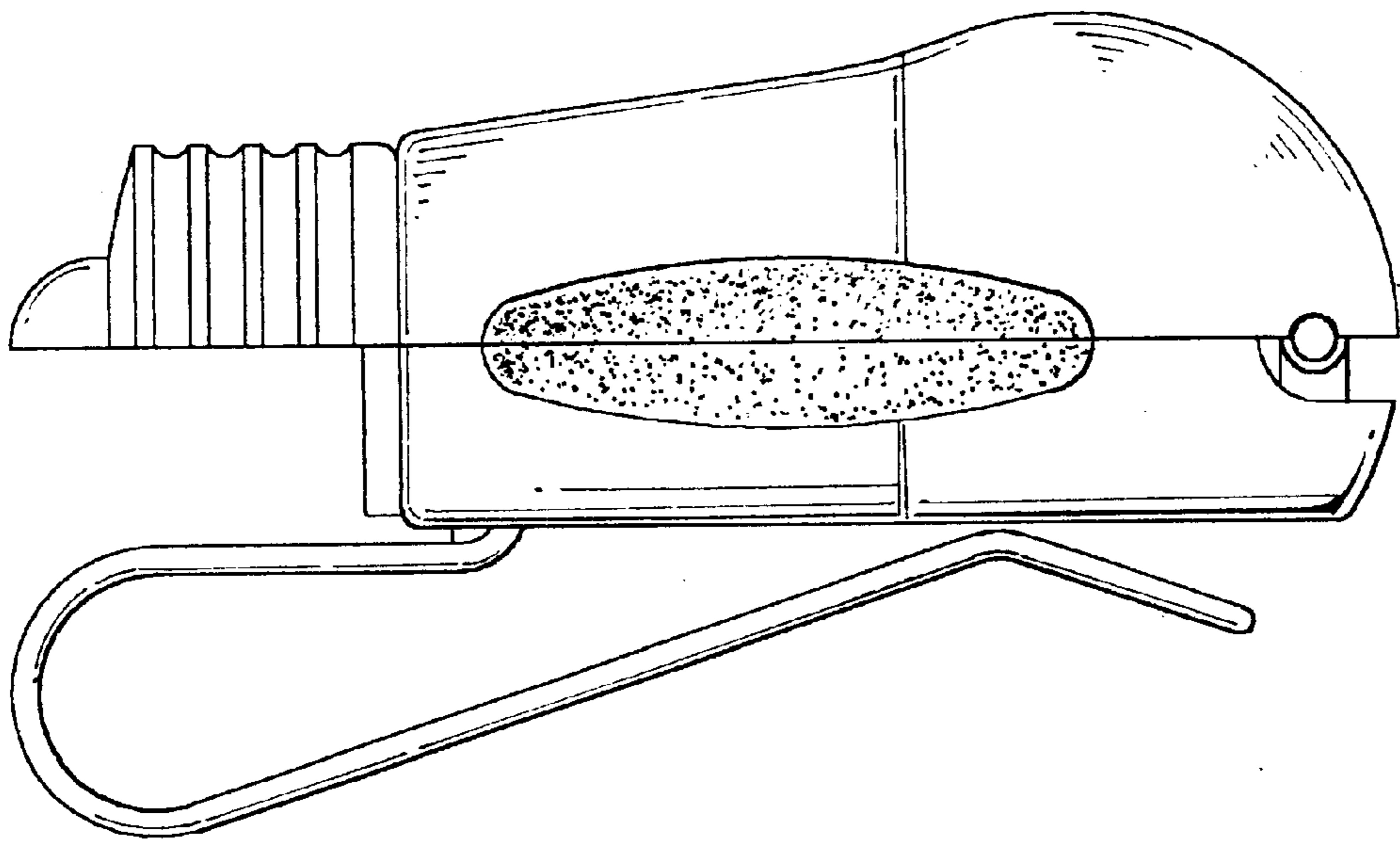


FIG. 2

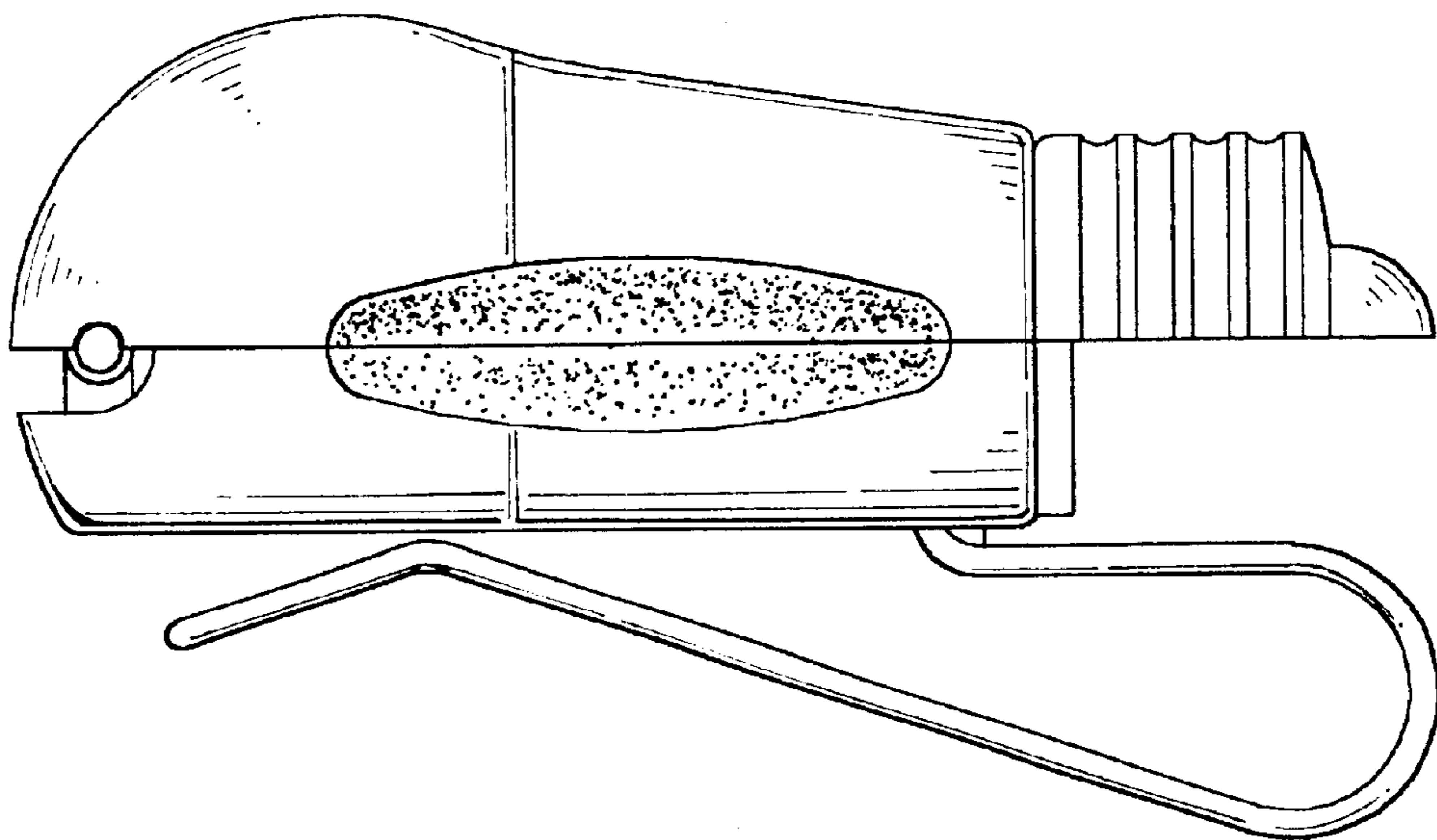


FIG. 3

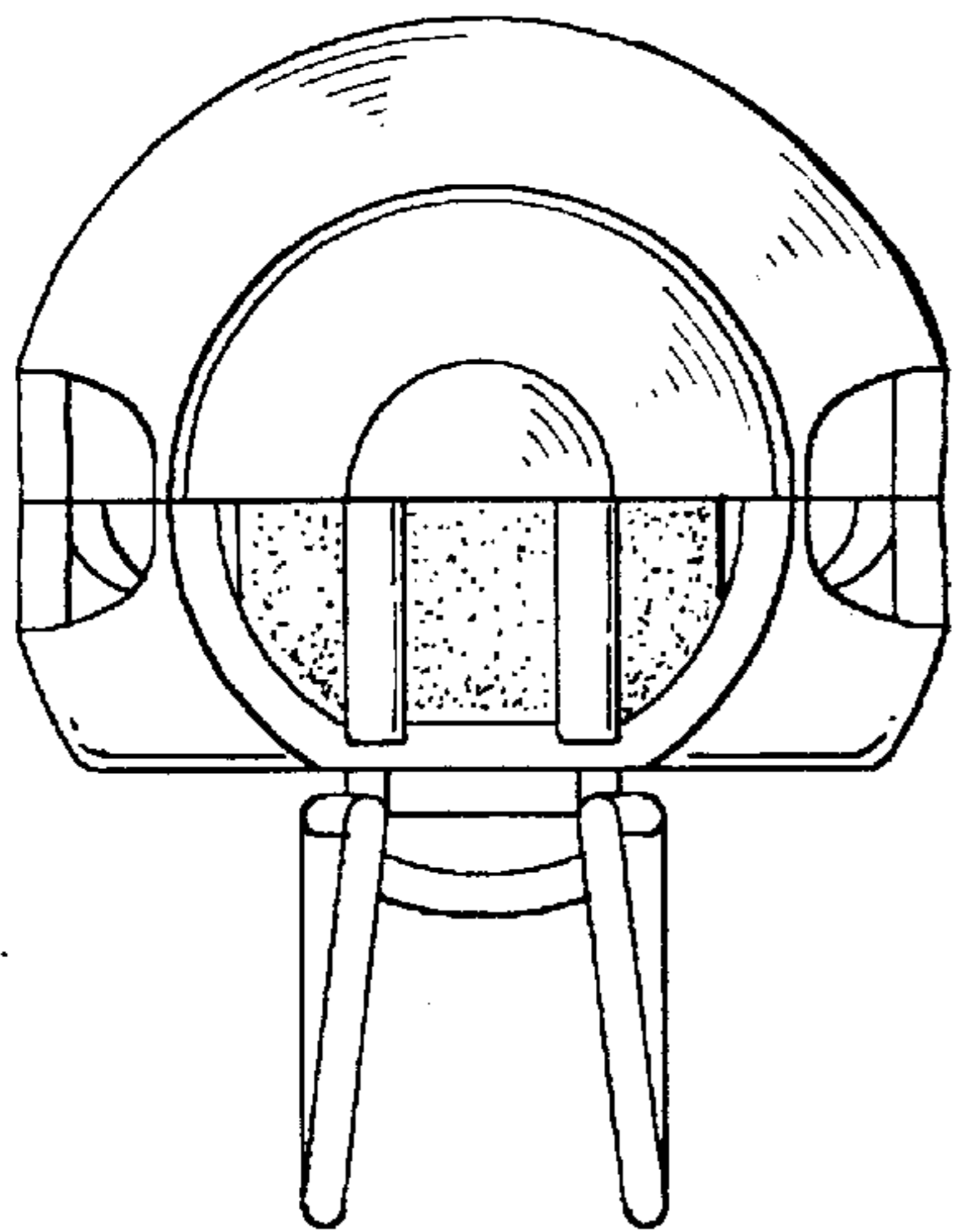


FIG. 4

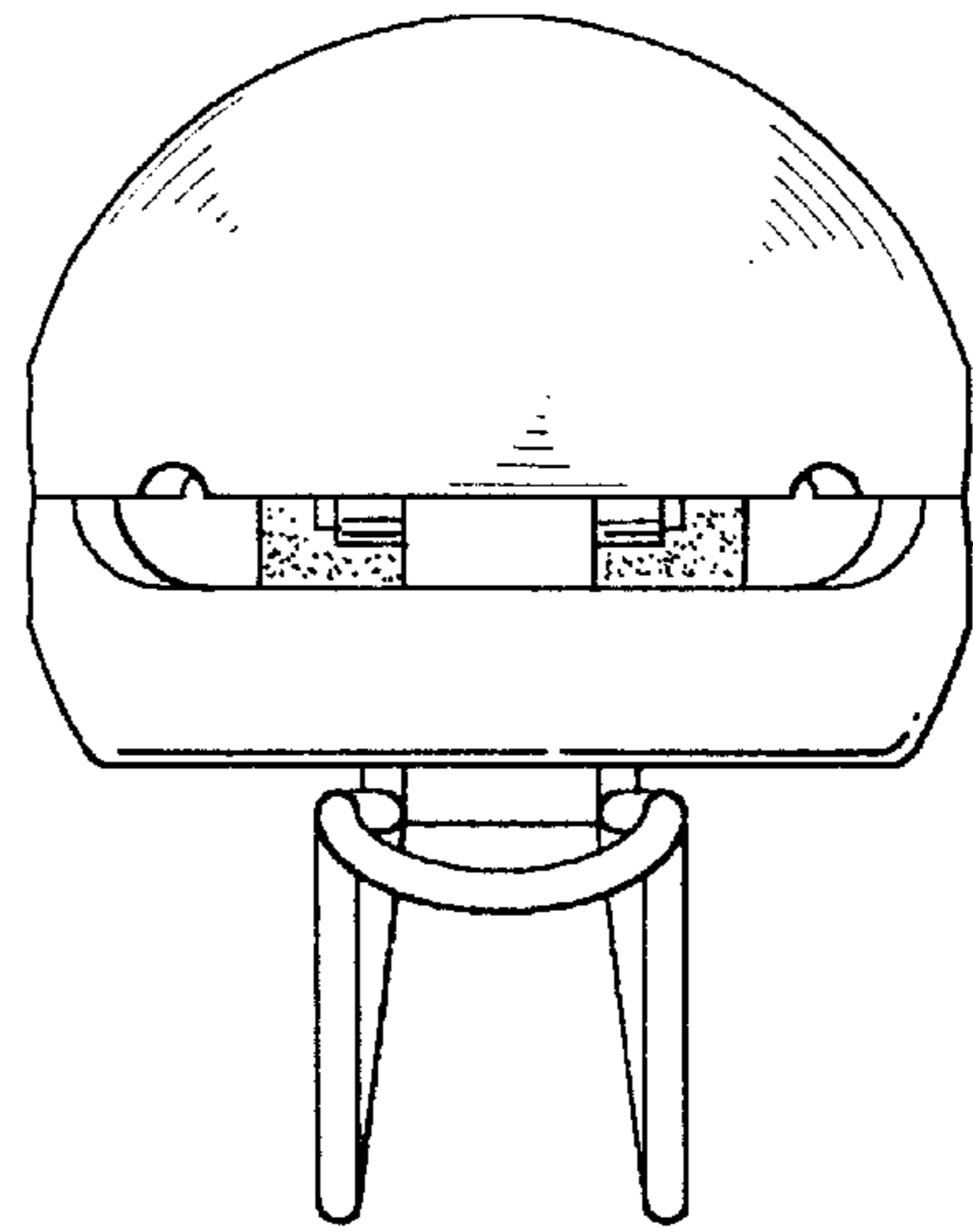


FIG. 5

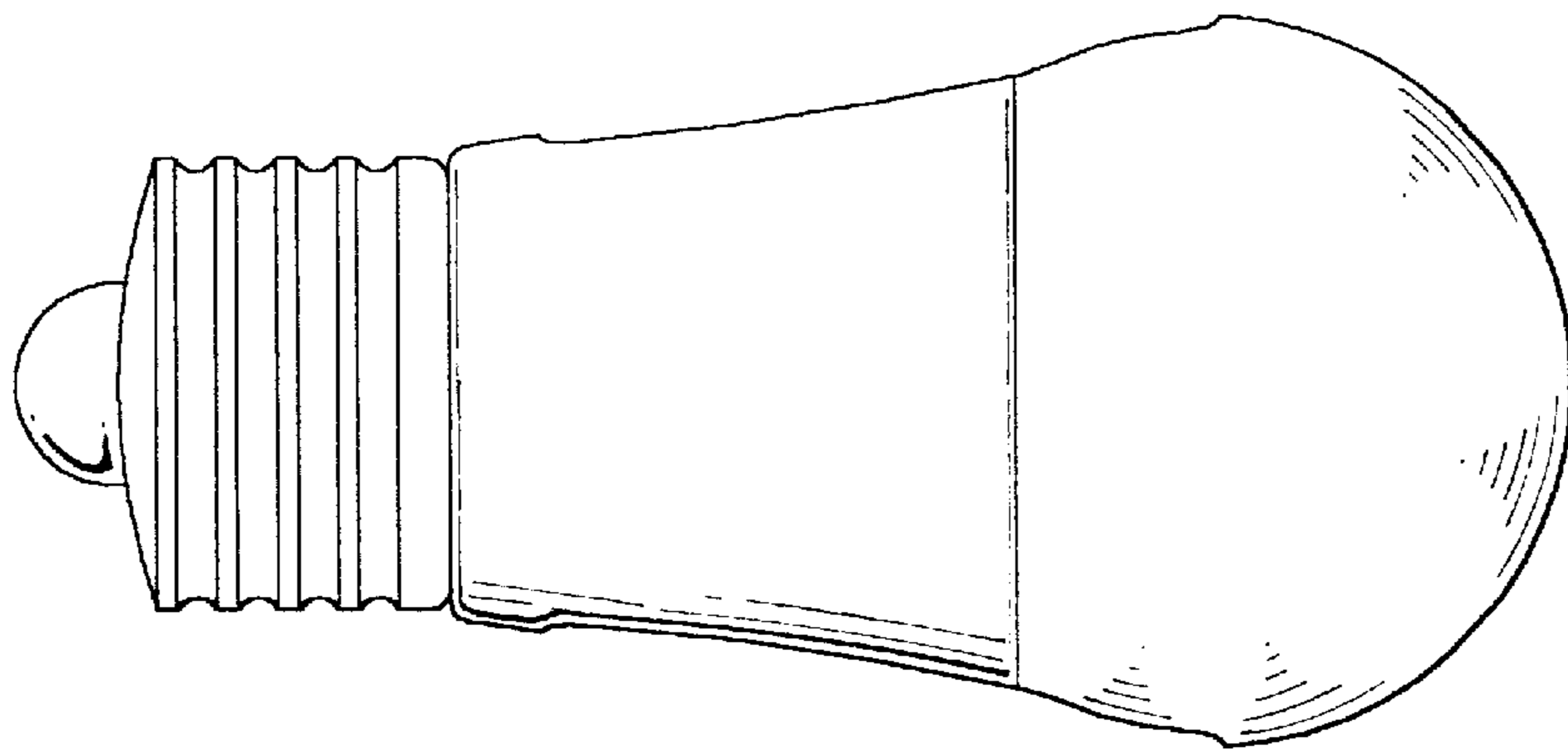


FIG. 6

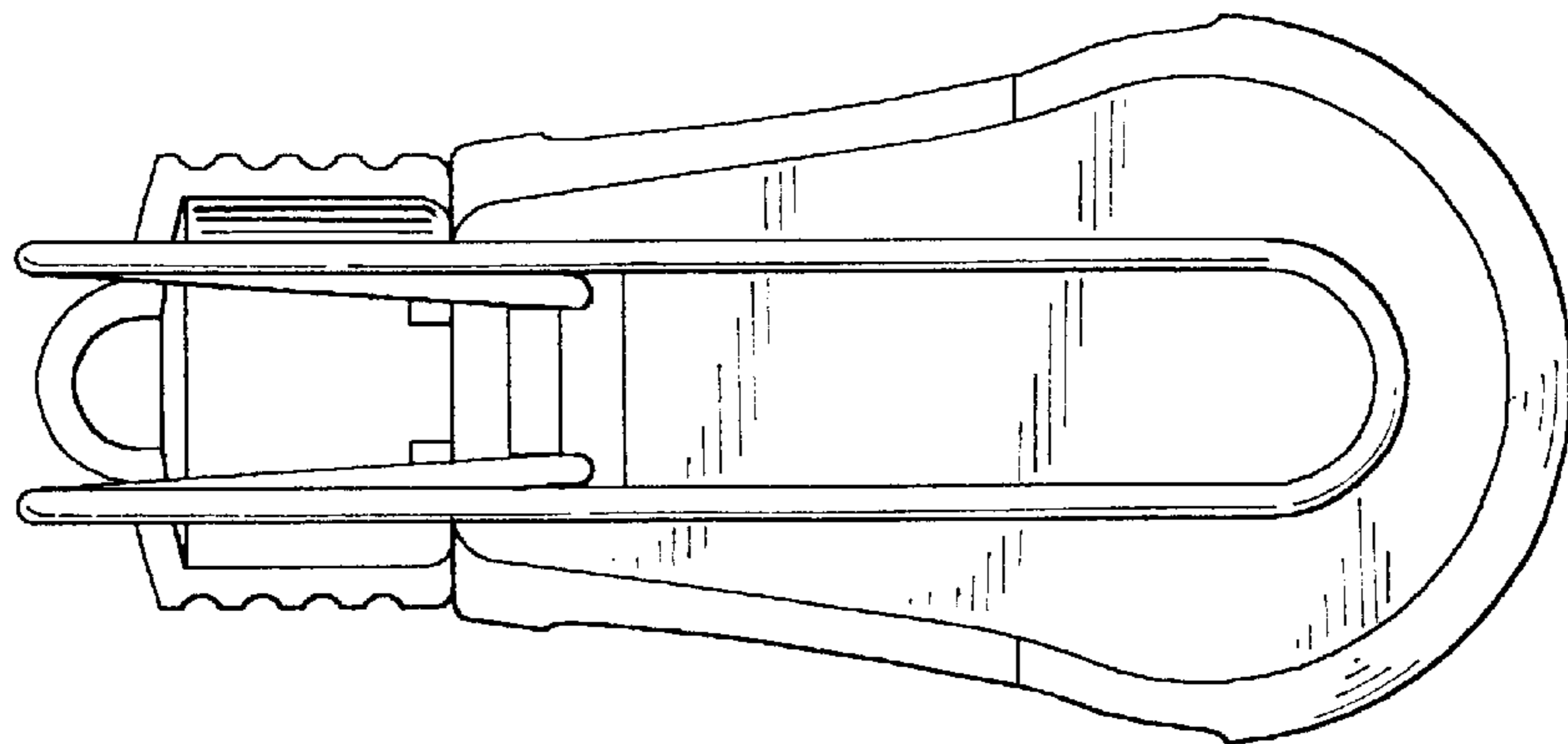


FIG. 7