



US00D461942S

(12) **United States Design Patent**
Gallagher

(10) **Patent No.:** **US D461,942 S**

(45) **Date of Patent:** **** Aug. 20, 2002**

(54) **SET OF FORKS WITH MARKINGS FOR A HIGH-LIFT PALLET TRUCK**

(75) **Inventor:** **Michael P. Gallagher**, Greenville, OH (US)

(73) **Assignee:** **Crown Equipment Corporation**, New Bremen, OH (US)

(**) **Term:** **14 Years**

(21) **Appl. No.:** **29/135,617**

(22) **Filed:** **Jan. 16, 2001**

(51) **LOC (7) Cl.** **12-05**

(52) **U.S. Cl.** **D34/35; D34/34**

(58) **Field of Search** D34/28, 31, 34, D34/35; 254/23, 93 R, 2 R; 187/238, 233; 280/43.12, 43.23, 756, 727; 414/572, 592, 631; 180/89.12, 89.13

(56) **References Cited**

U.S. PATENT DOCUMENTS

- 3,122,381 A * 2/1964 Klemick et al. 280/43.12
- 3,187,829 A * 6/1965 Ulinski 180/89.12
- D222,670 S * 11/1971 Goodacre et al. D34/34

- 4,231,450 A * 11/1980 Hedtke et al. 187/238
- 4,411,582 A * 10/1983 Nakada 414/631
- 4,497,501 A * 2/1985 Kedem 280/43.12
- 4,589,669 A * 5/1986 Kedem 280/43.12
- 4,669,561 A * 6/1987 Sheen 280/43.12
- D447,612 S * 9/2001 Niebuhr D34/34

* cited by examiner

Primary Examiner—Cynthia E. Ramirez

(74) *Attorney, Agent, or Firm*—Stevens & Showalter, L.L.P.

(57) **CLAIM**

The ornamental design for a set of forks with markings for a high-lift pallet truck, as shown and described.

DESCRIPTION

FIG. 1 is a top perspective view of a set of forks with markings for a high-lift pallet truck showing my new design; FIG. 2 is a bottom perspective view thereof; FIG. 3 is a top view of the set thereof; and, FIG. 4 is a bottom view of the set thereof.

The broken line showing in FIGS. 1 and 2 is for illustrative purposes only and forms no part of the claimed design.

1 Claim, 3 Drawing Sheets

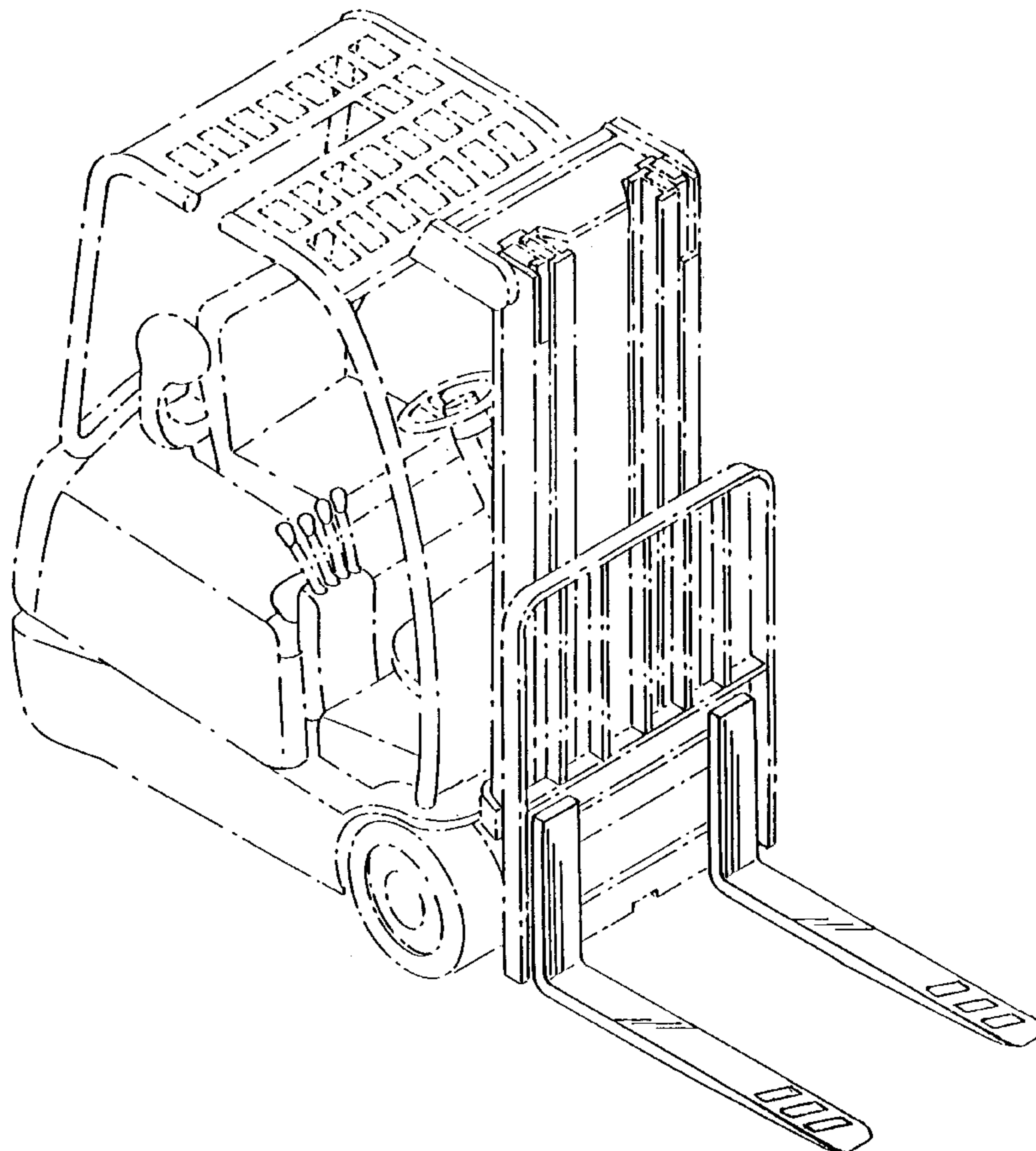


FIG. 1

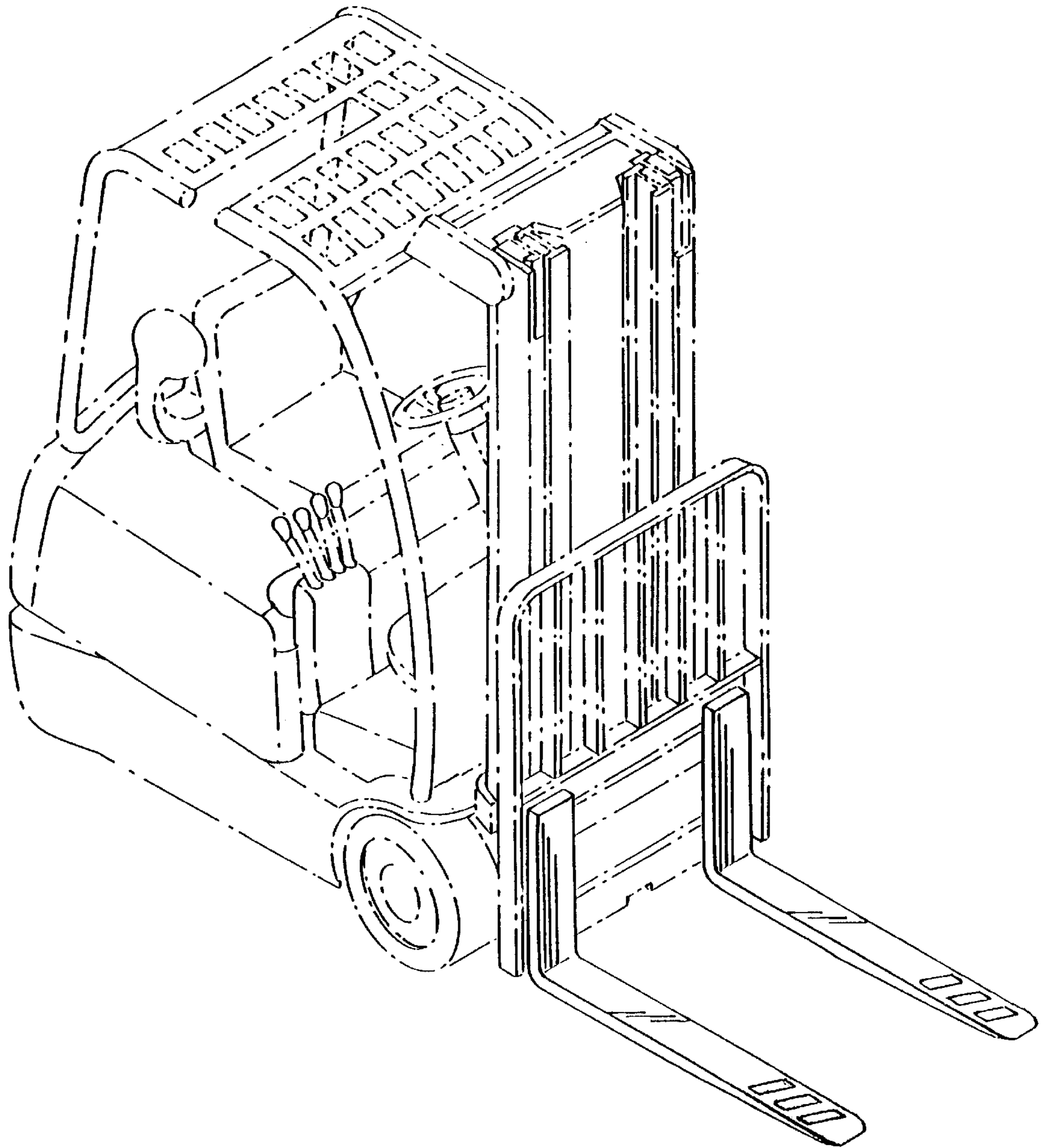


FIG. 2

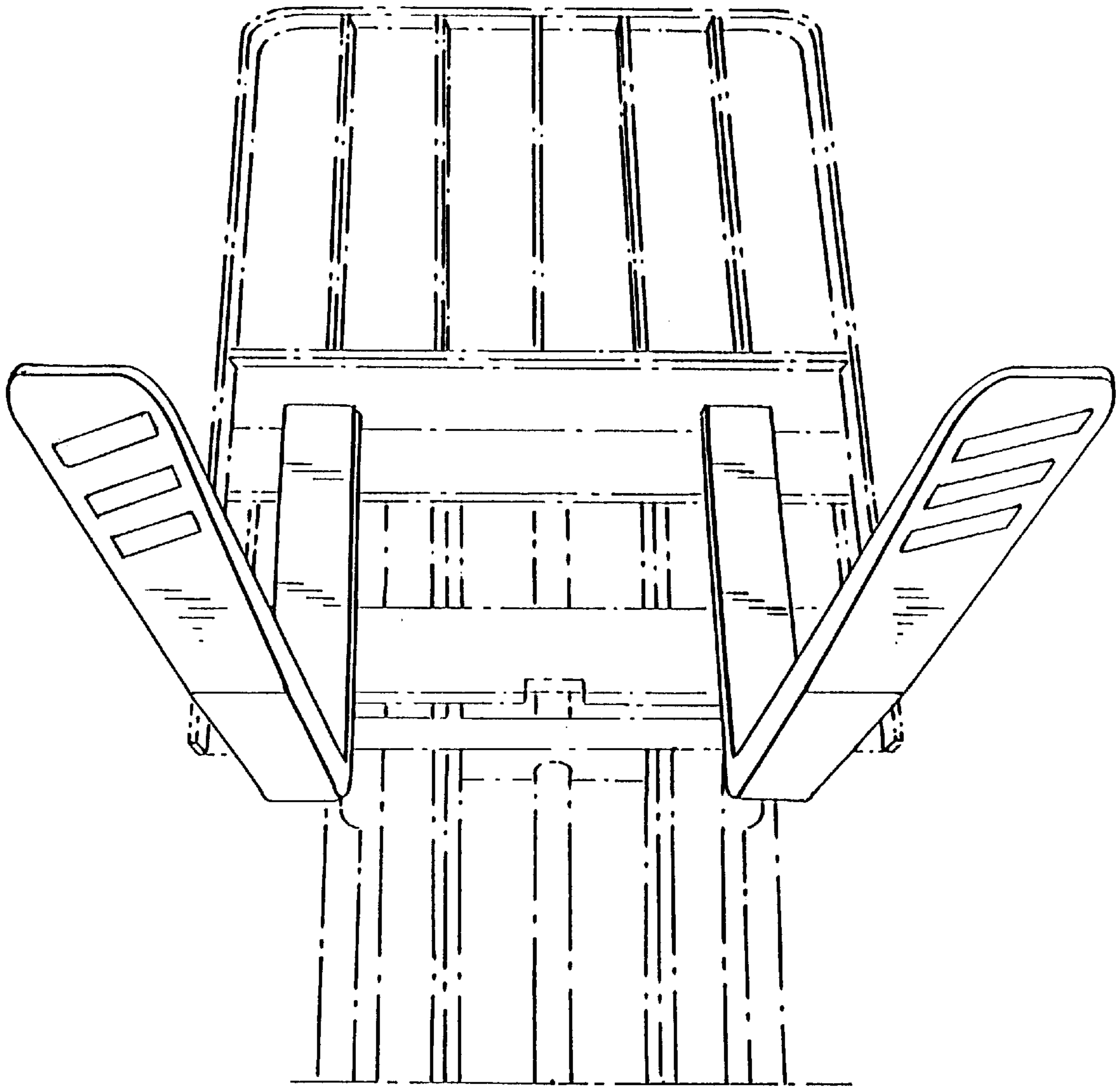


FIG. 3

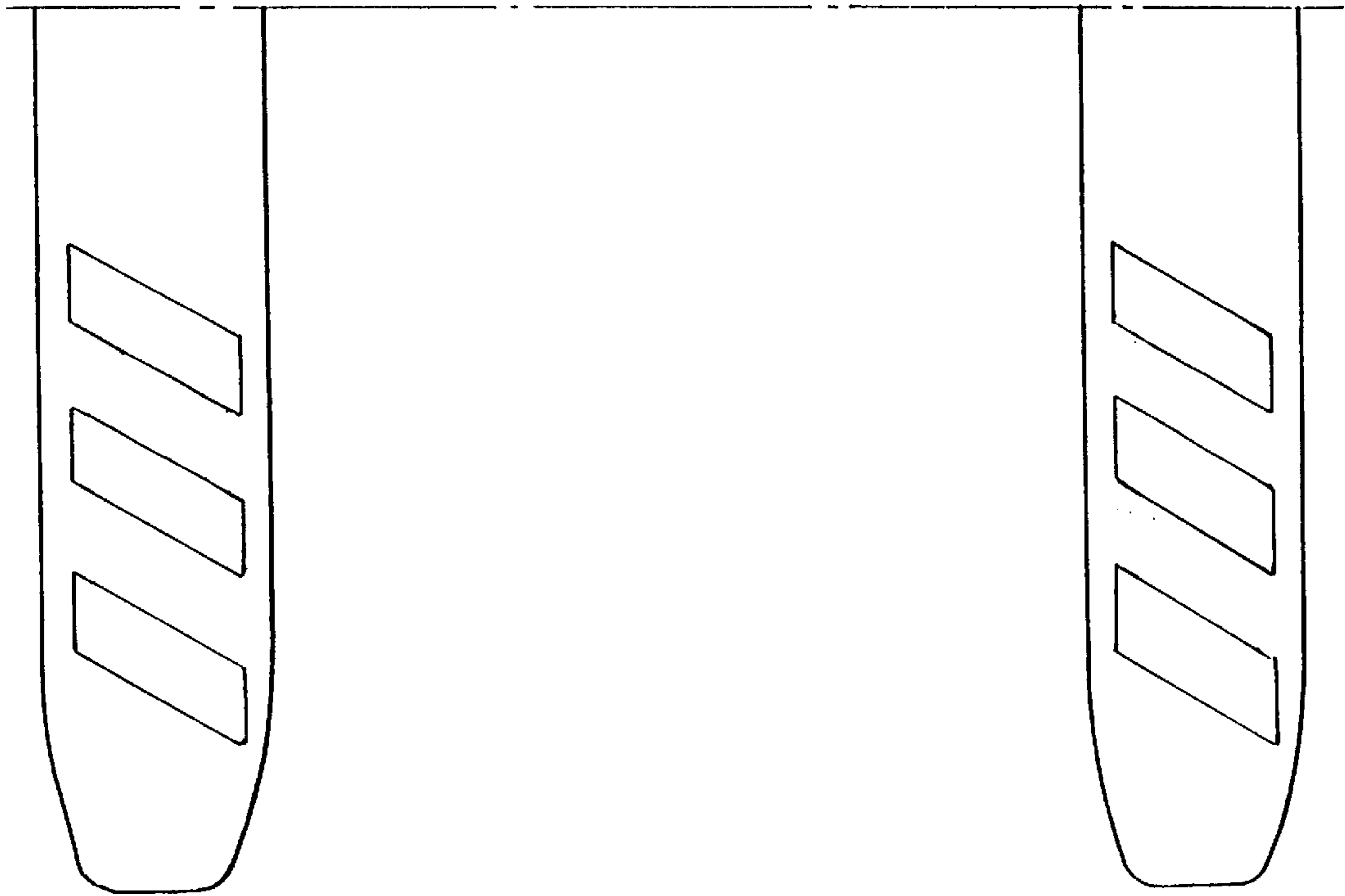


FIG. 4

