



US00D461941S

(12) **United States Design Patent** (10) **Patent No.:** **US D461,941 S**
Underbrink et al. (45) **Date of Patent:** **** Aug. 20, 2002**

(54) **SERVING CART WITH SINK AND FOLDABLE FAUCET**

(75) Inventors: **John Underbrink**, Richardson; **Peter C. Hill**, Plano, both of TX (US)

(73) Assignee: **Spang & Company**, Pittsburgh, PA (US)

(**) Term: **14 Years**

(21) Appl. No.: **29/151,408**

(22) Filed: **Nov. 9, 2001**

(51) **LOC (7) Cl.** **12-02**

(52) **U.S. Cl.** **D34/21; D34/14**

(58) **Field of Search** D34/12-27; D6/480, D6/481, 399, 438, 445; 312/71, 116, 140.1, 223.1; 280/47.19, 47.26, 47.35, 47.34; 248/174, 176.1; 211/135, 153, 186-190, 194, 80

(56) **References Cited**

U.S. PATENT DOCUMENTS

3,993,376	A	11/1976	Meldahl	
4,305,166	A	12/1981	Rose	
D342,212	S	12/1993	Lim	
5,349,708	A	9/1994	Lee	
D403,826	S *	1/1999	Tisbo et al.	D34/24
D406,431	S *	3/1999	Tisbo et al.	D34/20
D426,691	S *	6/2000	Johnson et al.	D34/21
6,131,929	A	10/2000	Haley	

* cited by examiner

Primary Examiner—Kay H. Chin

(74) *Attorney, Agent, or Firm*—Kirkpatrick & Lockhart LLP

(57) **CLAIM**

The ornamental design for a serving cart with sink and foldable faucet, as shown and described.

DESCRIPTION

FIG. 1 is a front and left side isometric view of a first

embodiment of a serving cart with sink and foldable faucet showing my new design;

FIG. 2 is a front view of the design of FIG. 1;

FIG. 3 is a rear view of the design of FIGS. 1 and 2;

FIG. 4 is a left side view of the of the design of FIGS. 1-3;

FIG. 5 is a right side view of the of the design of FIGS. 1-4;

FIG. 6 is a top view of the of the design of FIGS. 1-5;

FIG. 7 is a bottom view of the of the design of FIGS. 1-6;

FIG. 8 is a front and left side isometric view of the design of FIGS. 1-7 showing the sink covered;

FIG. 9 is a front and left side isometric view of the design of FIGS. 1-8 showing the faucet folded;

FIG. 10 is a front view of the design of FIGS. 1-9 showing the sink covered;

FIG. 11 is a rear view of the design of FIGS. 1-10 showing the sink covered;

FIG. 12 is a left side view of the design of FIGS. 1-11 showing the sink covered;

FIG. 13 is a right side view of the design of FIGS. 1-12 showing the sink covered;

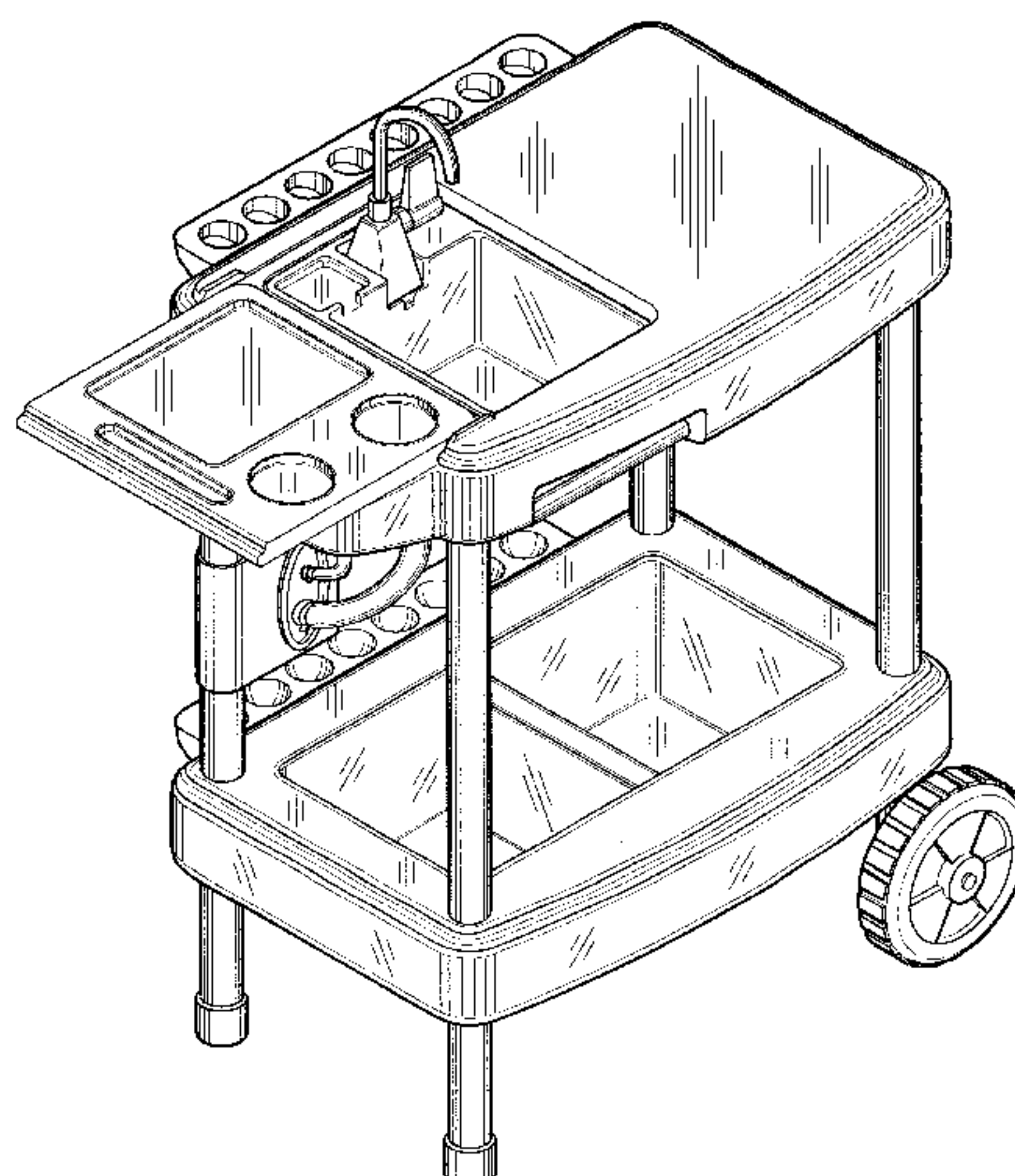
FIG. 14 is a top view of the design of FIGS. 1-13 showing the sink covered;

FIG. 15 is a top view of the design of FIGS. 1-14 showing the faucet folded;

FIG. 16 is a bottom view of the design of FIGS. 1-15 showing the sink covered; and,

FIG. 17 is a front and left side isometric view of an embodiment of a serving cart with a sink and foldable faucet showing my new design.

1 Claim, 10 Drawing Sheets



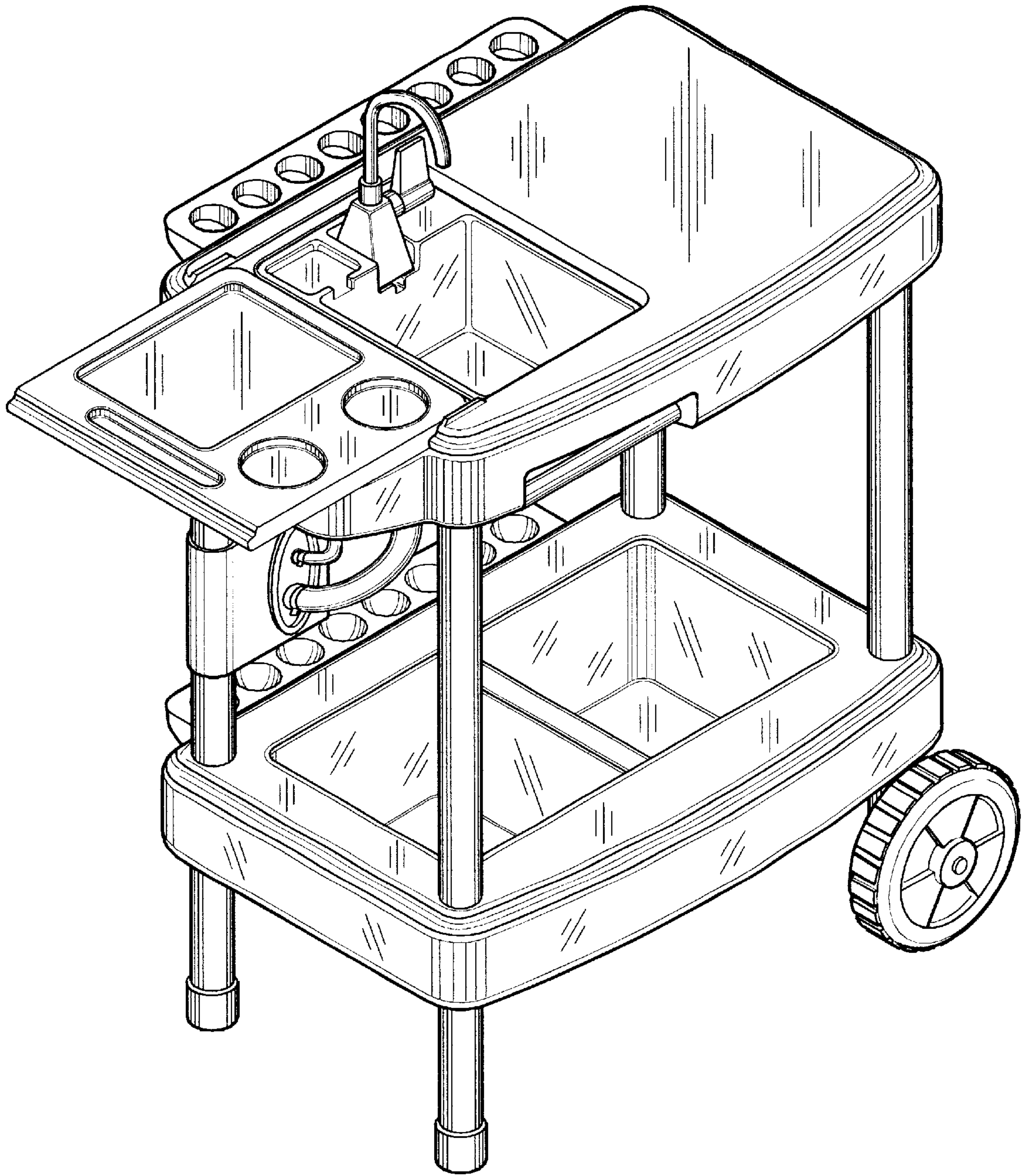


Fig. 1

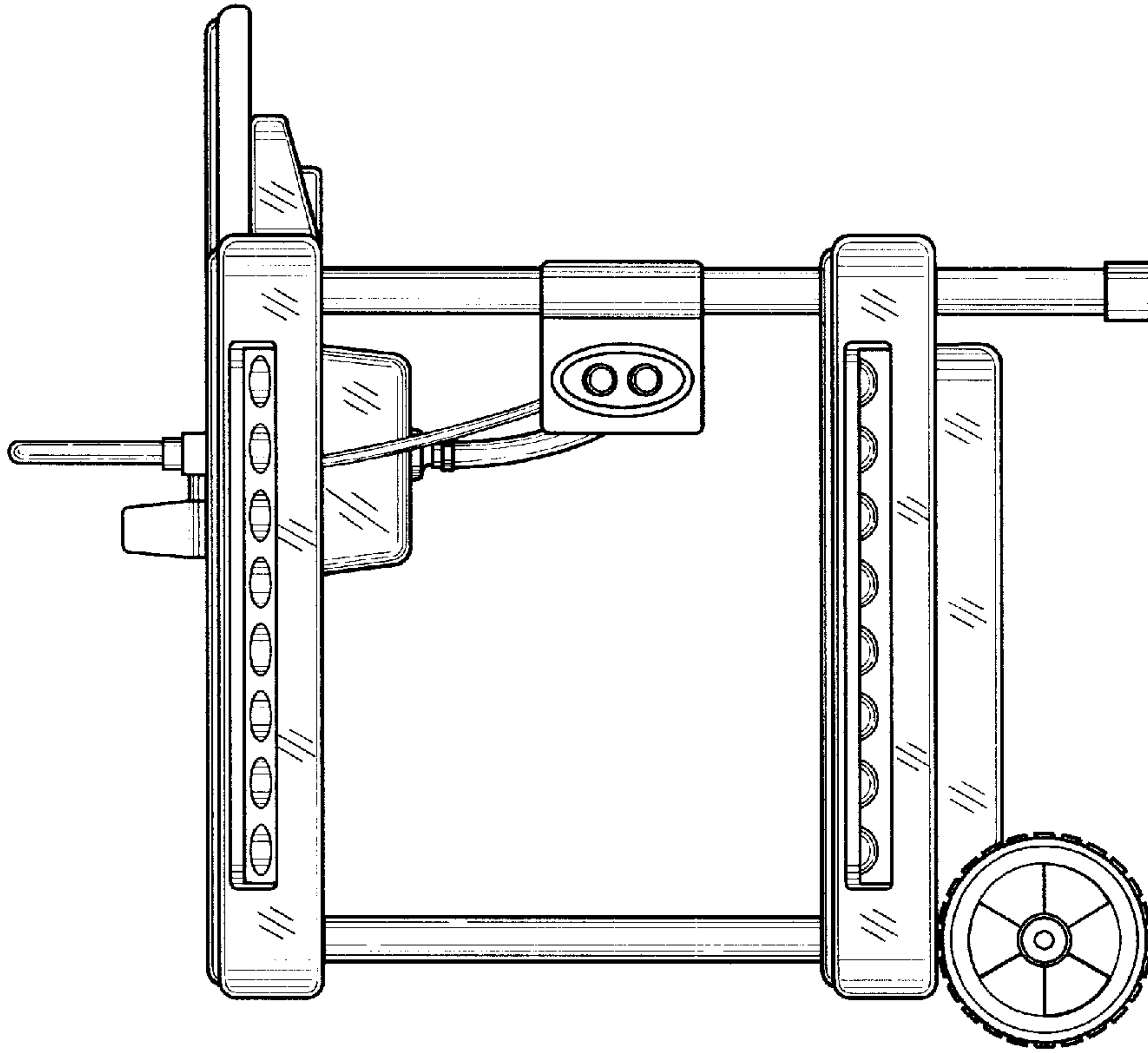


Fig. 3

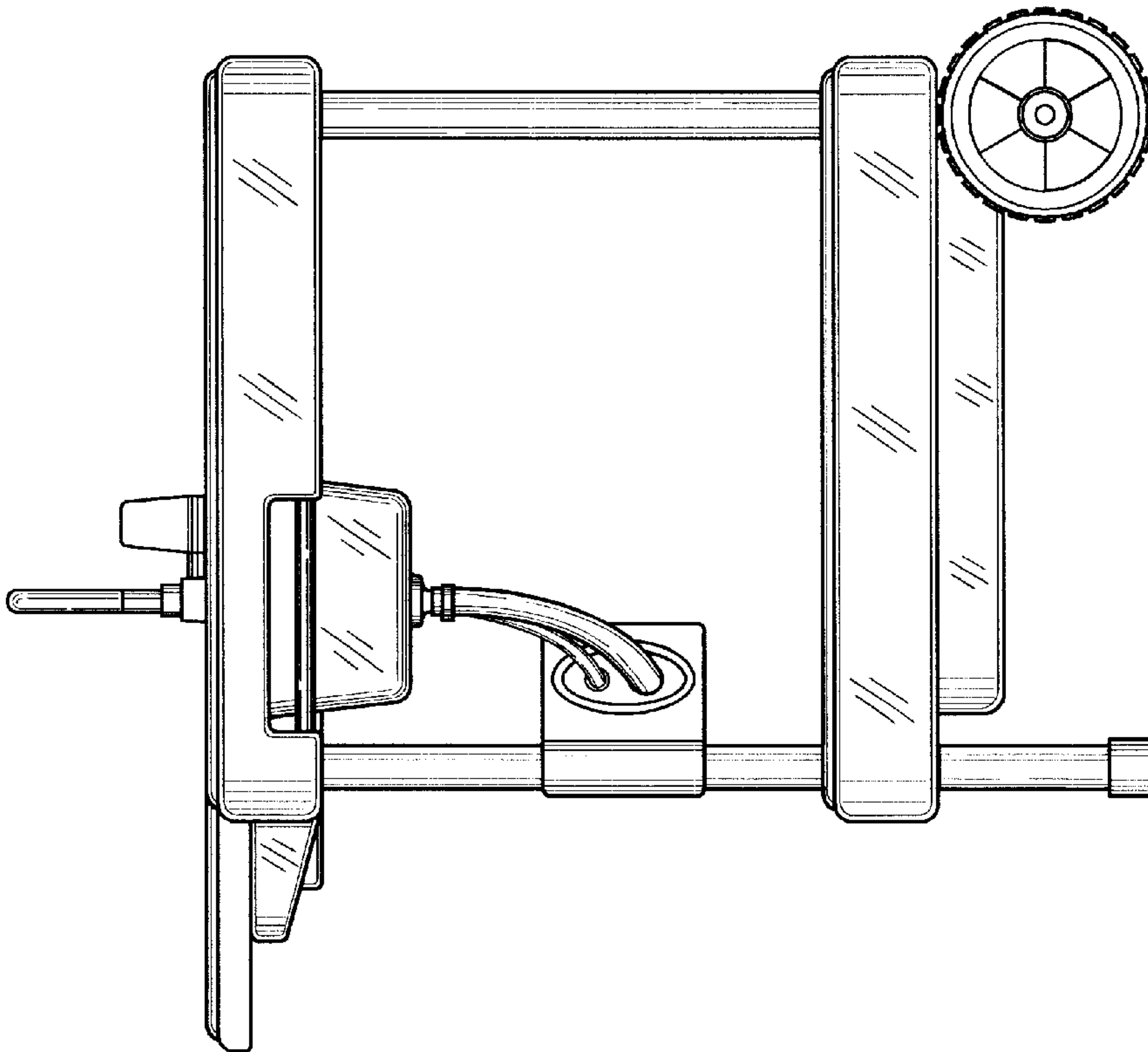


Fig. 2

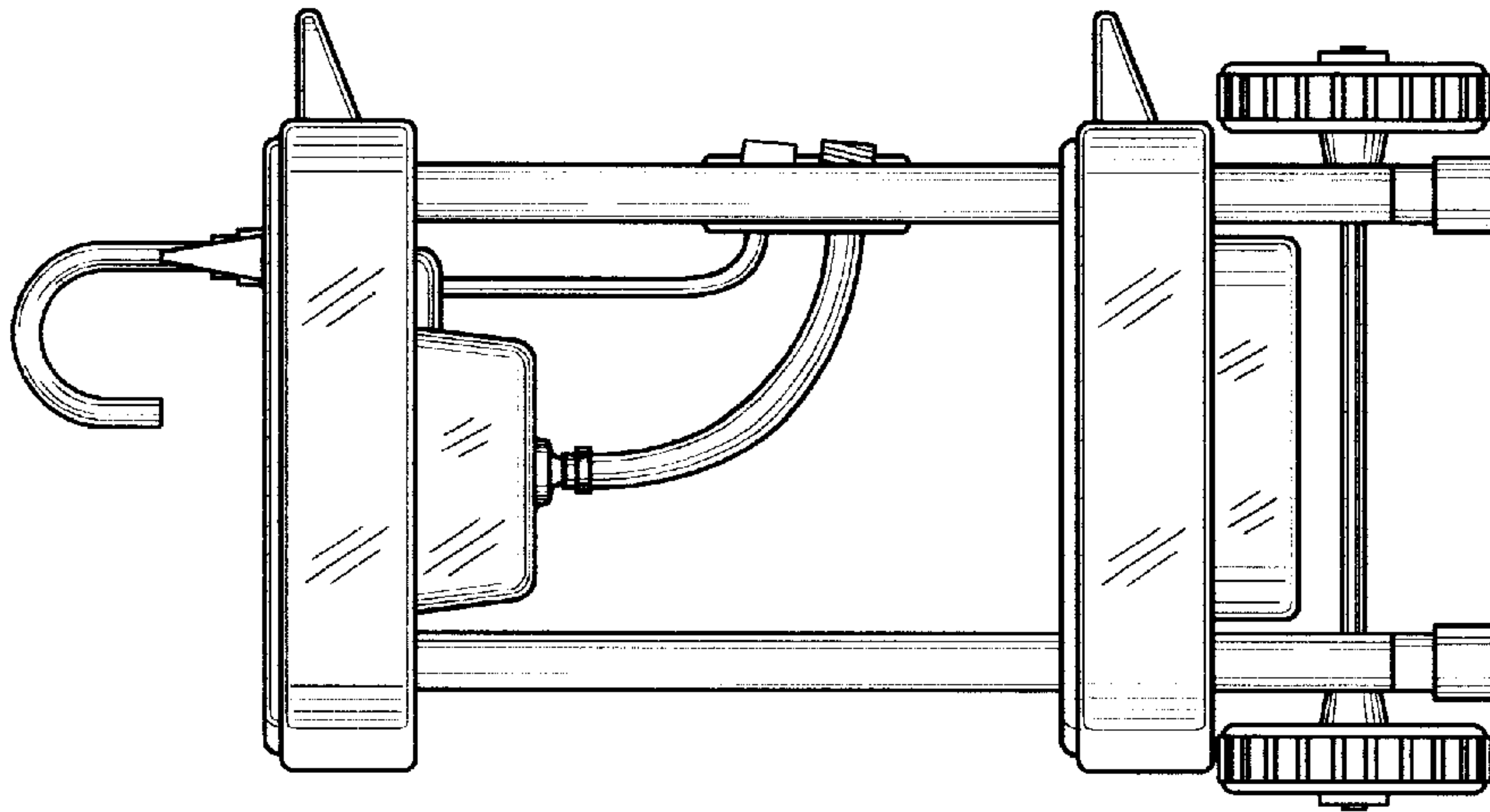


Fig. 5

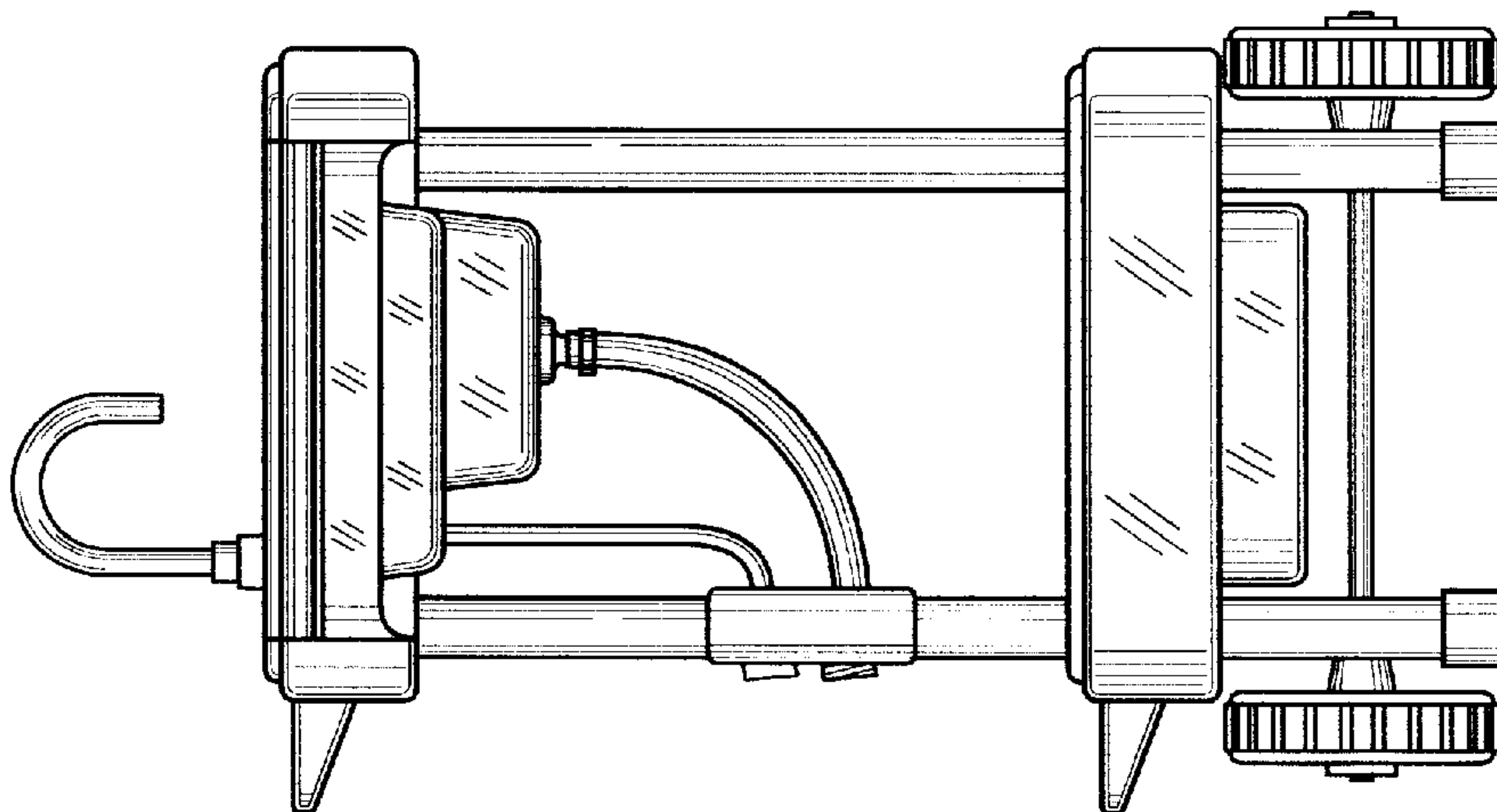


Fig. 4

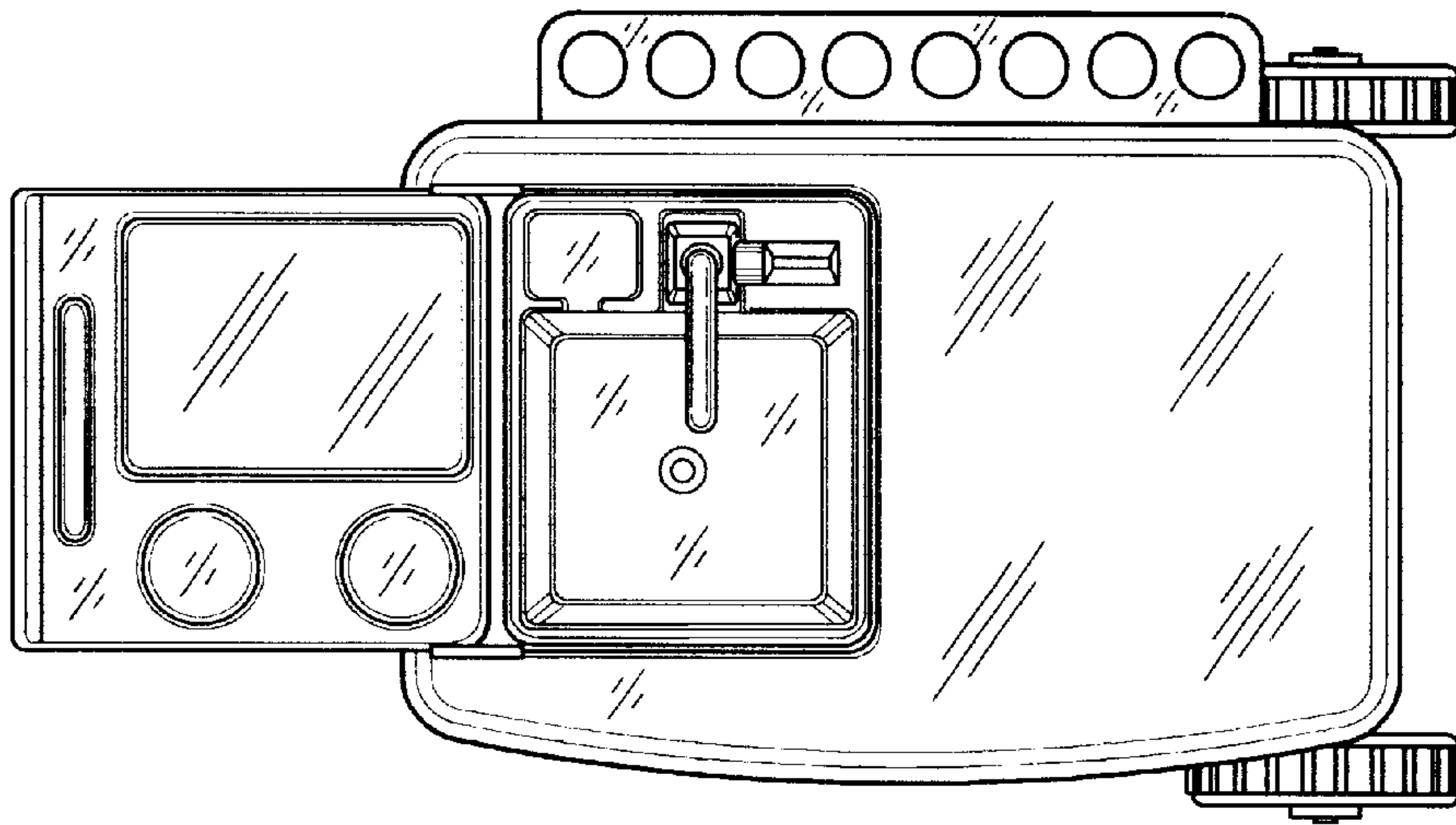


Fig. 6

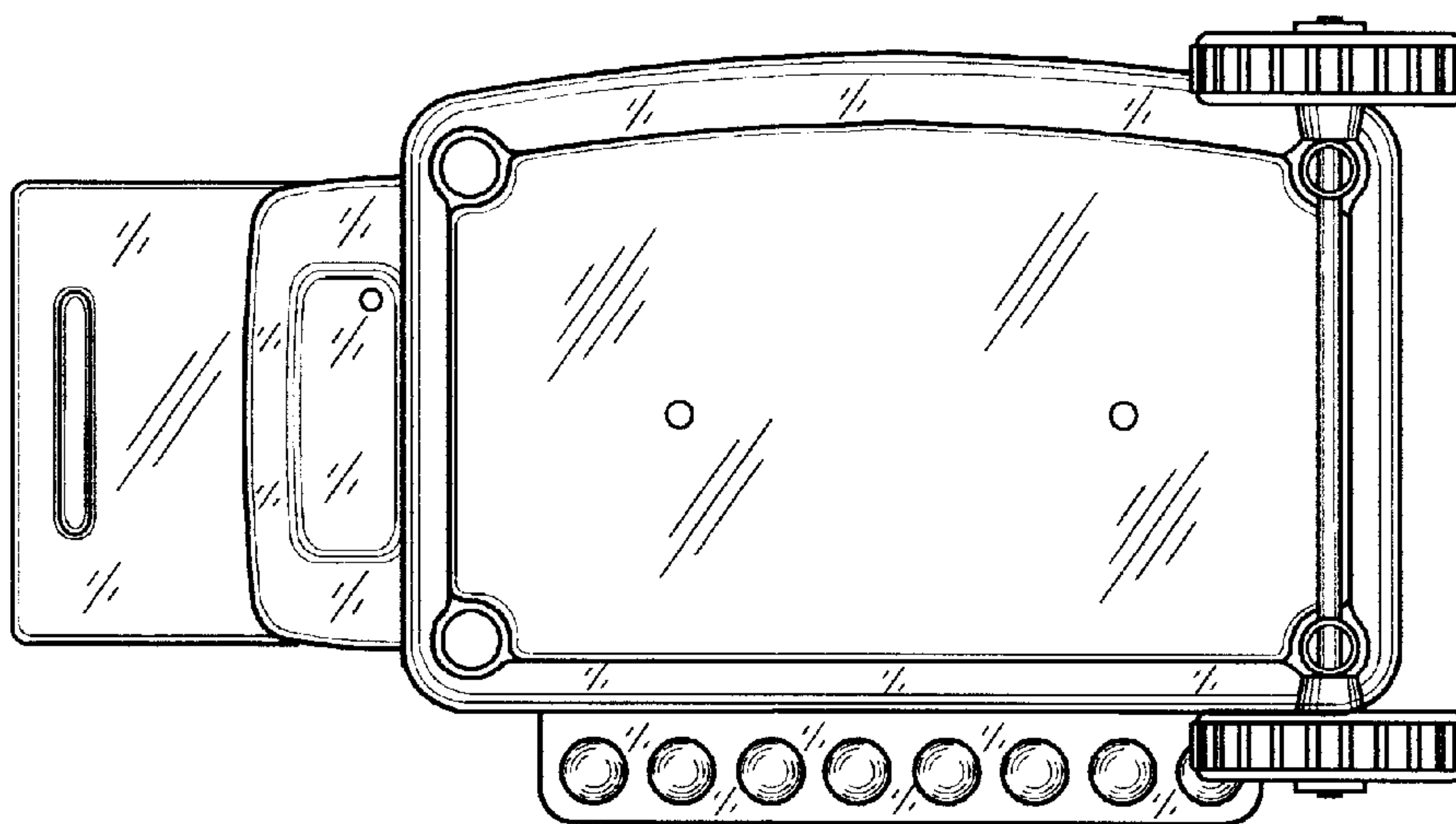


Fig. 7

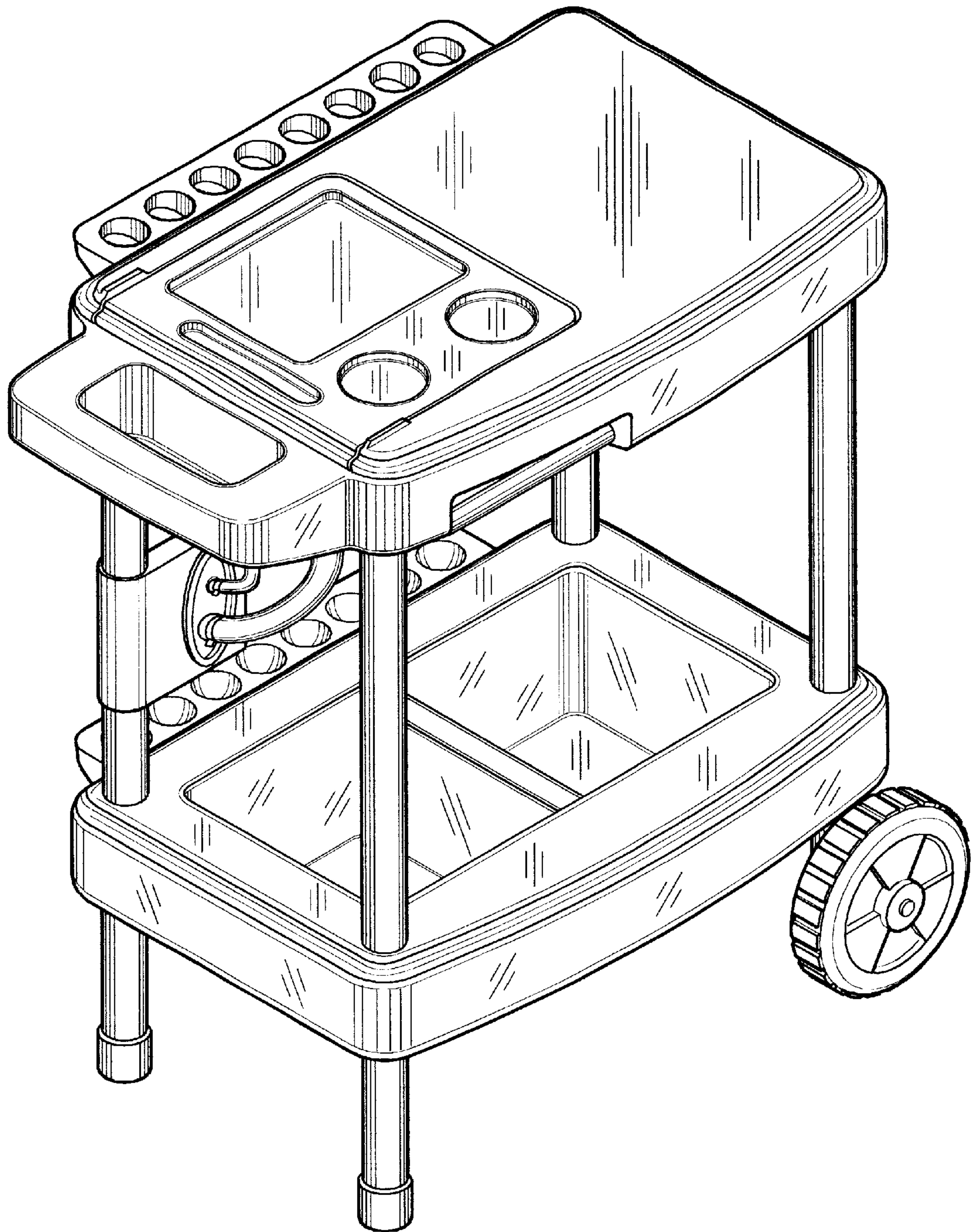


Fig. 8

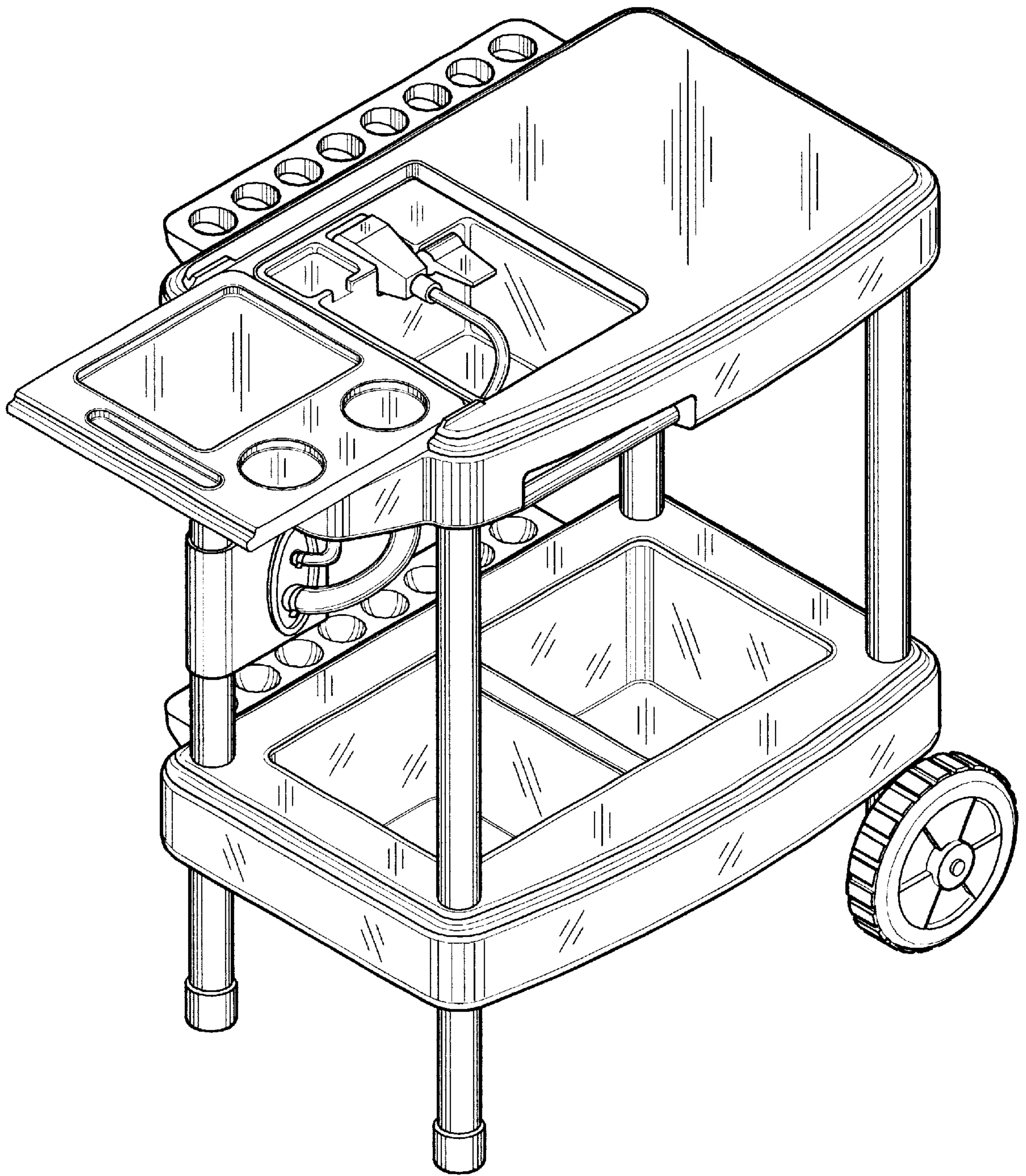


Fig. 9

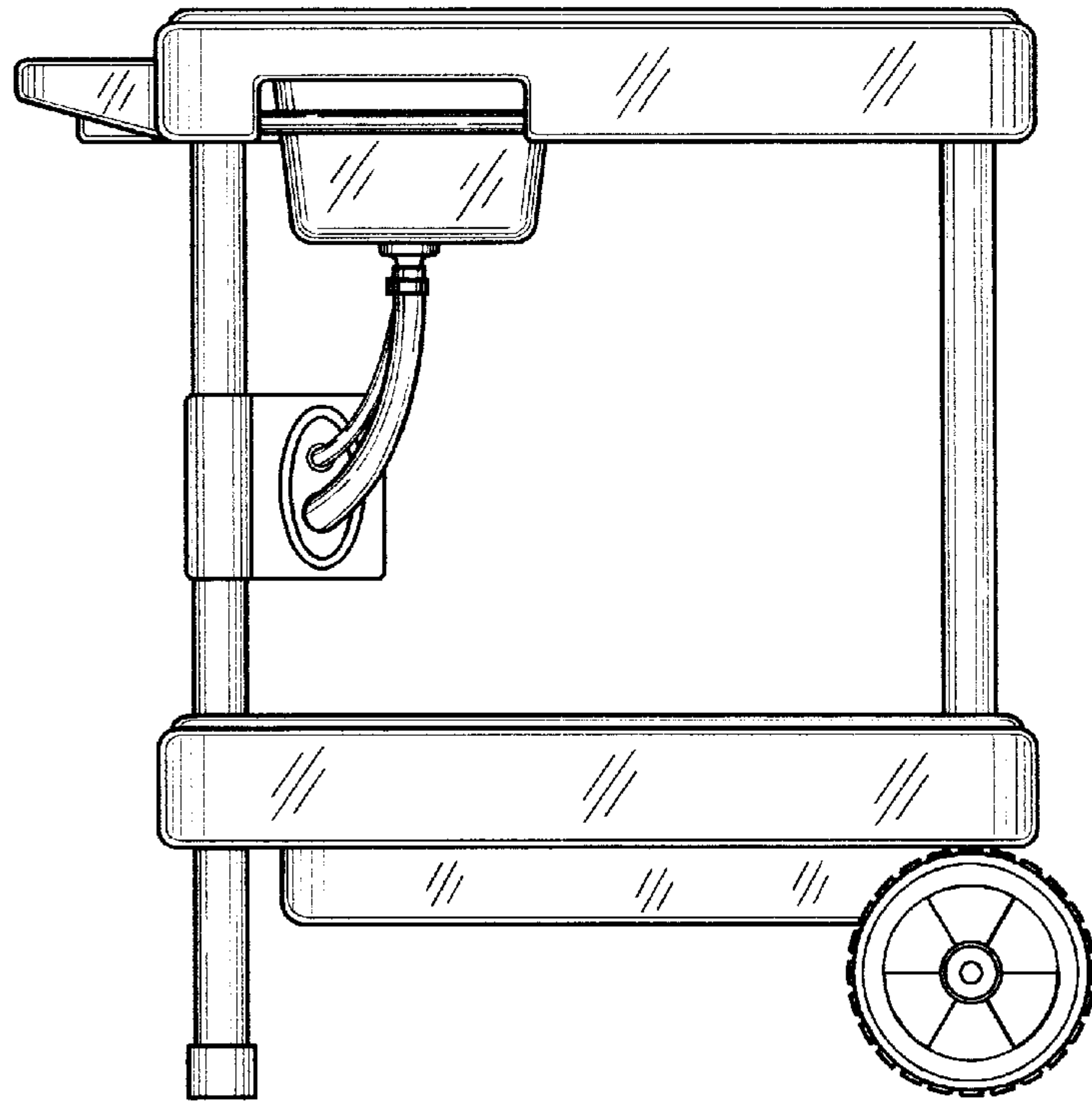


Fig. 10

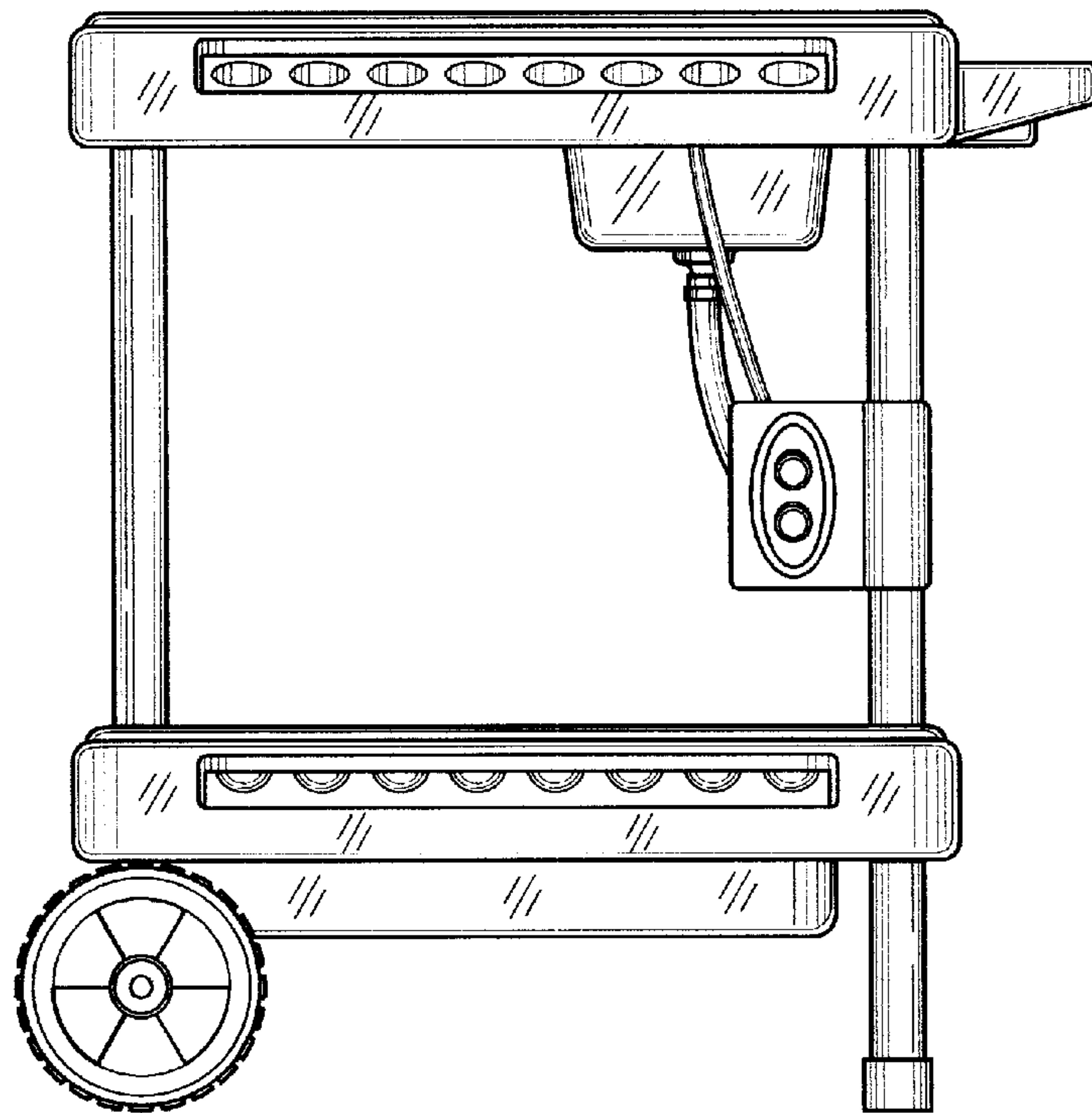


Fig. 11

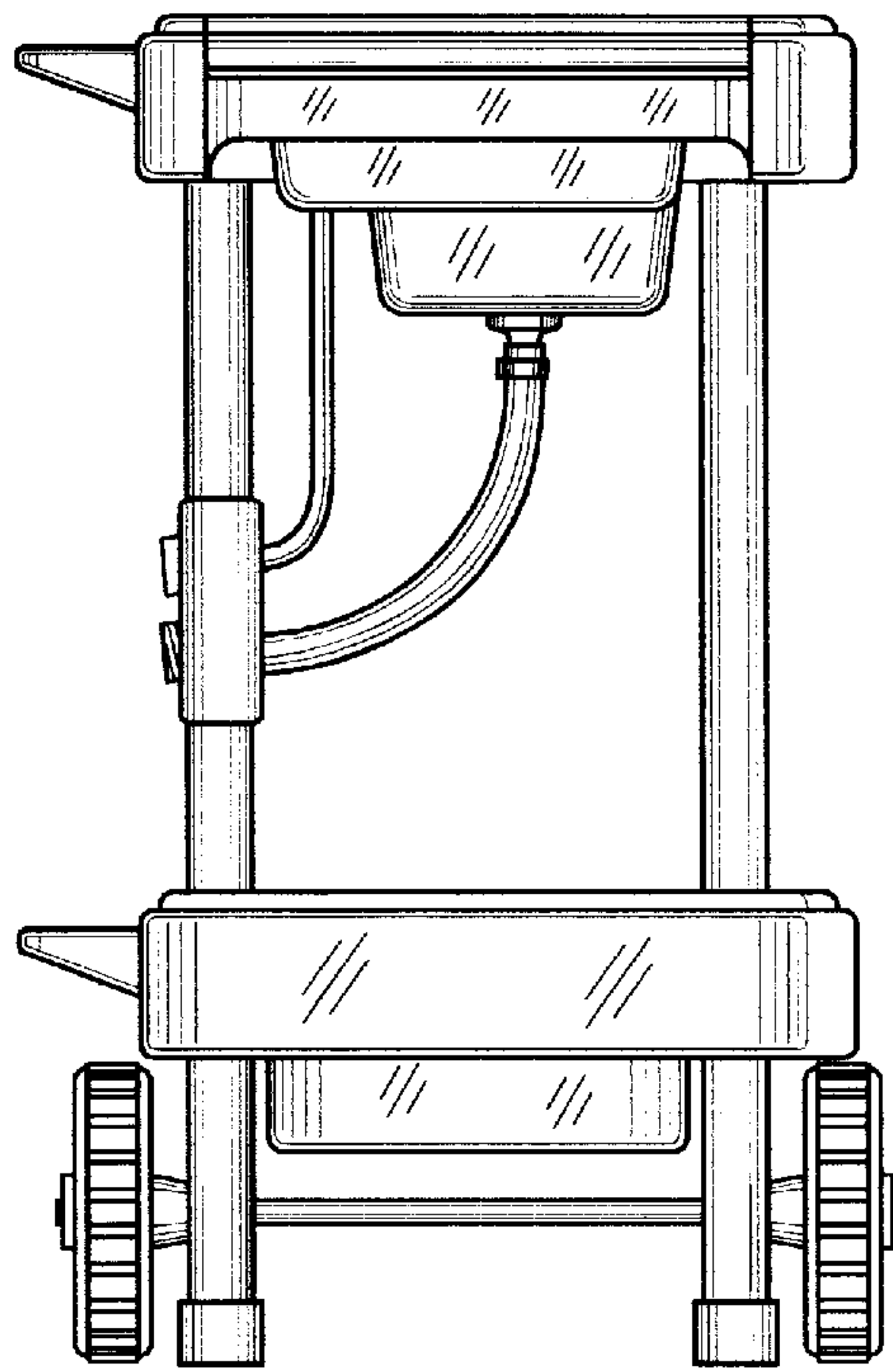


Fig. 12

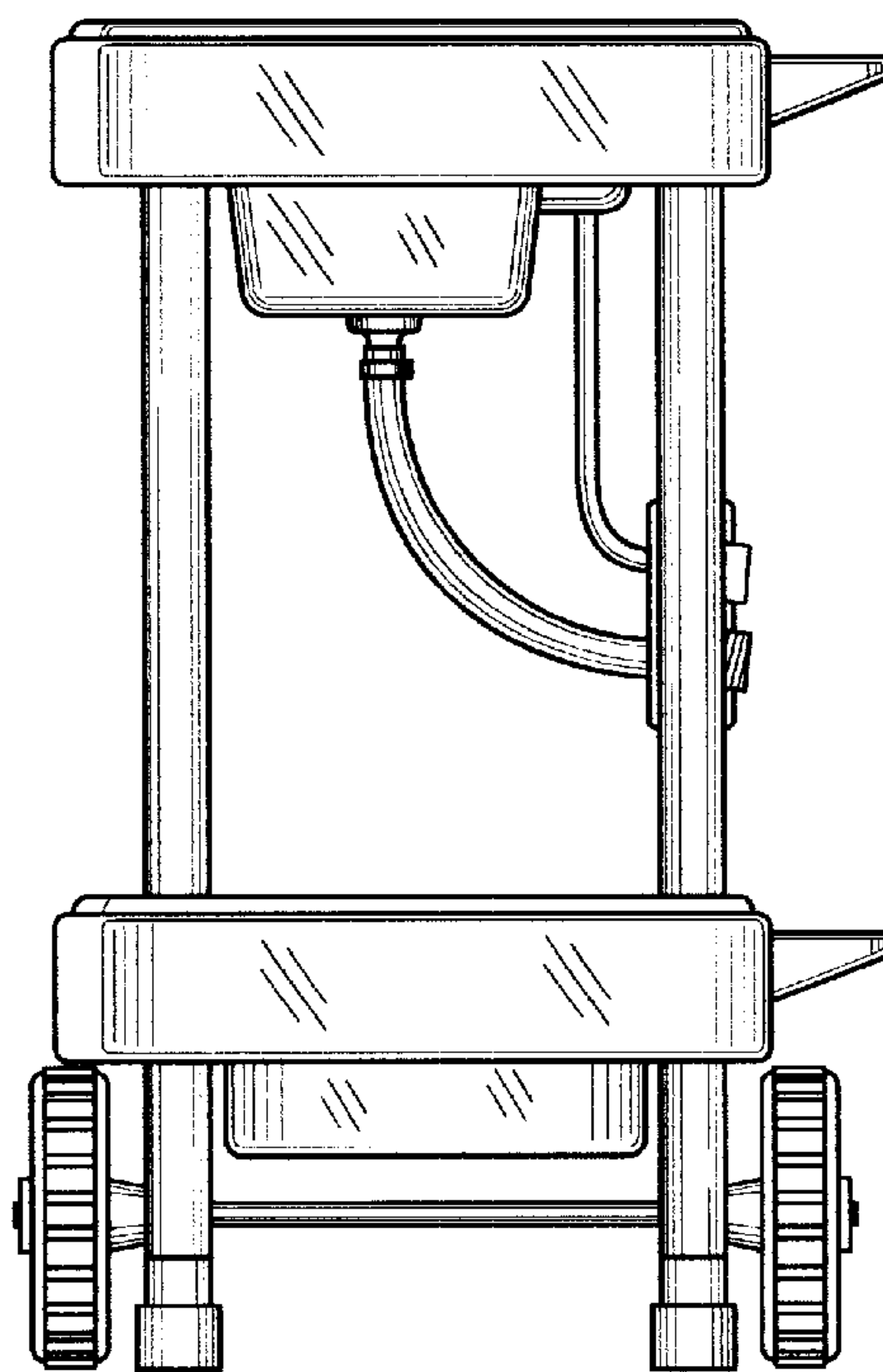


Fig. 13

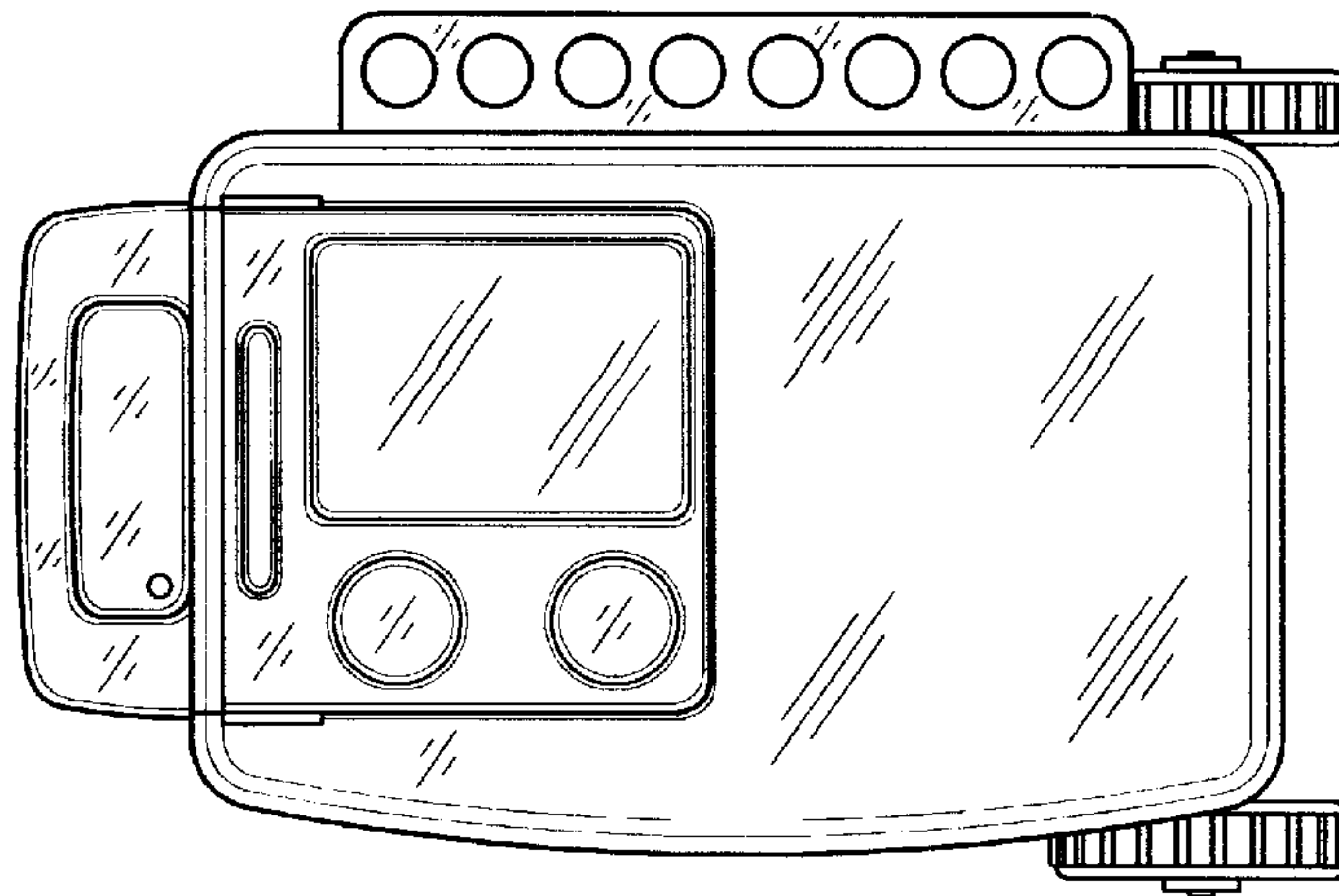


Fig. 14

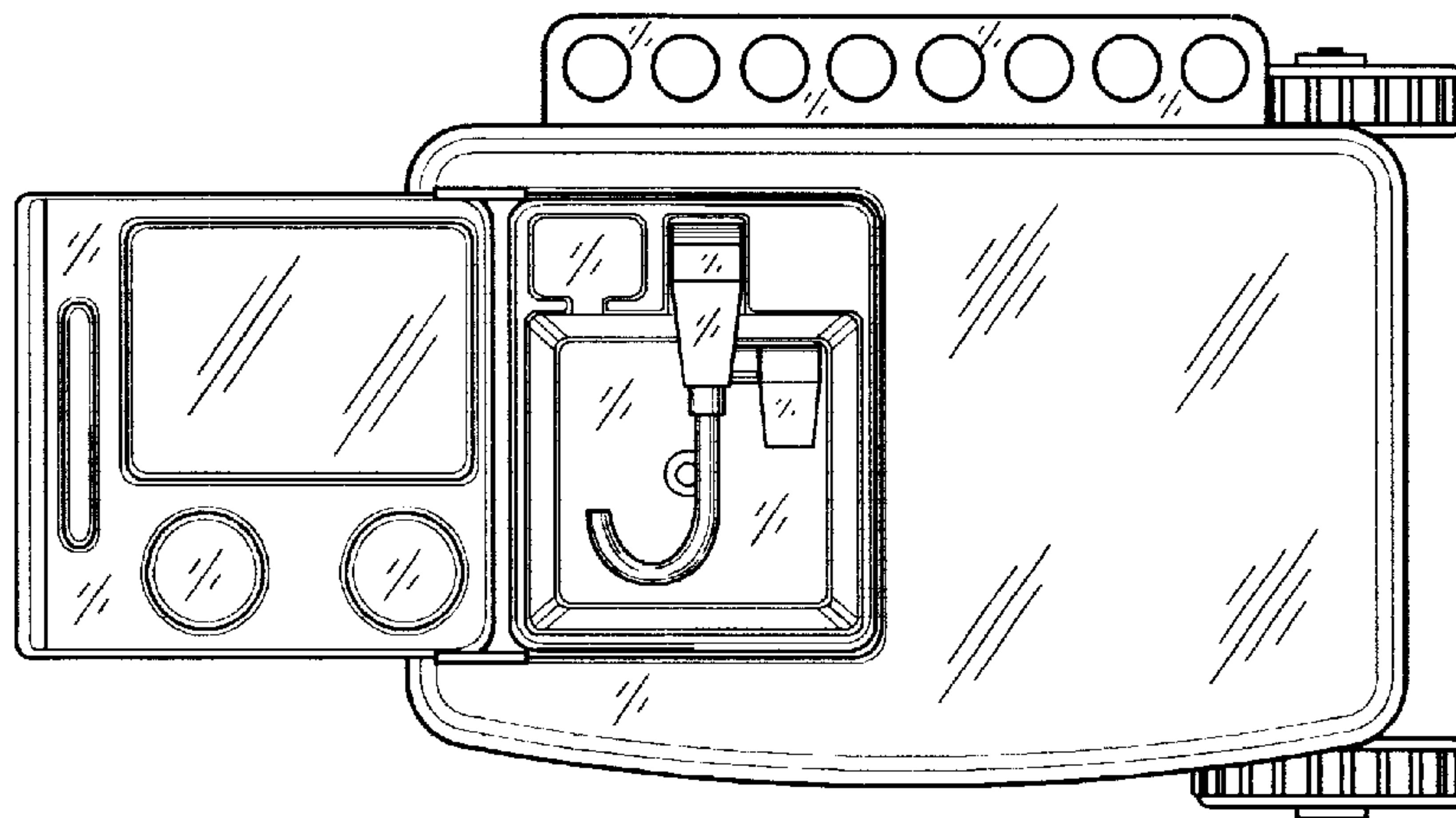


Fig. 15

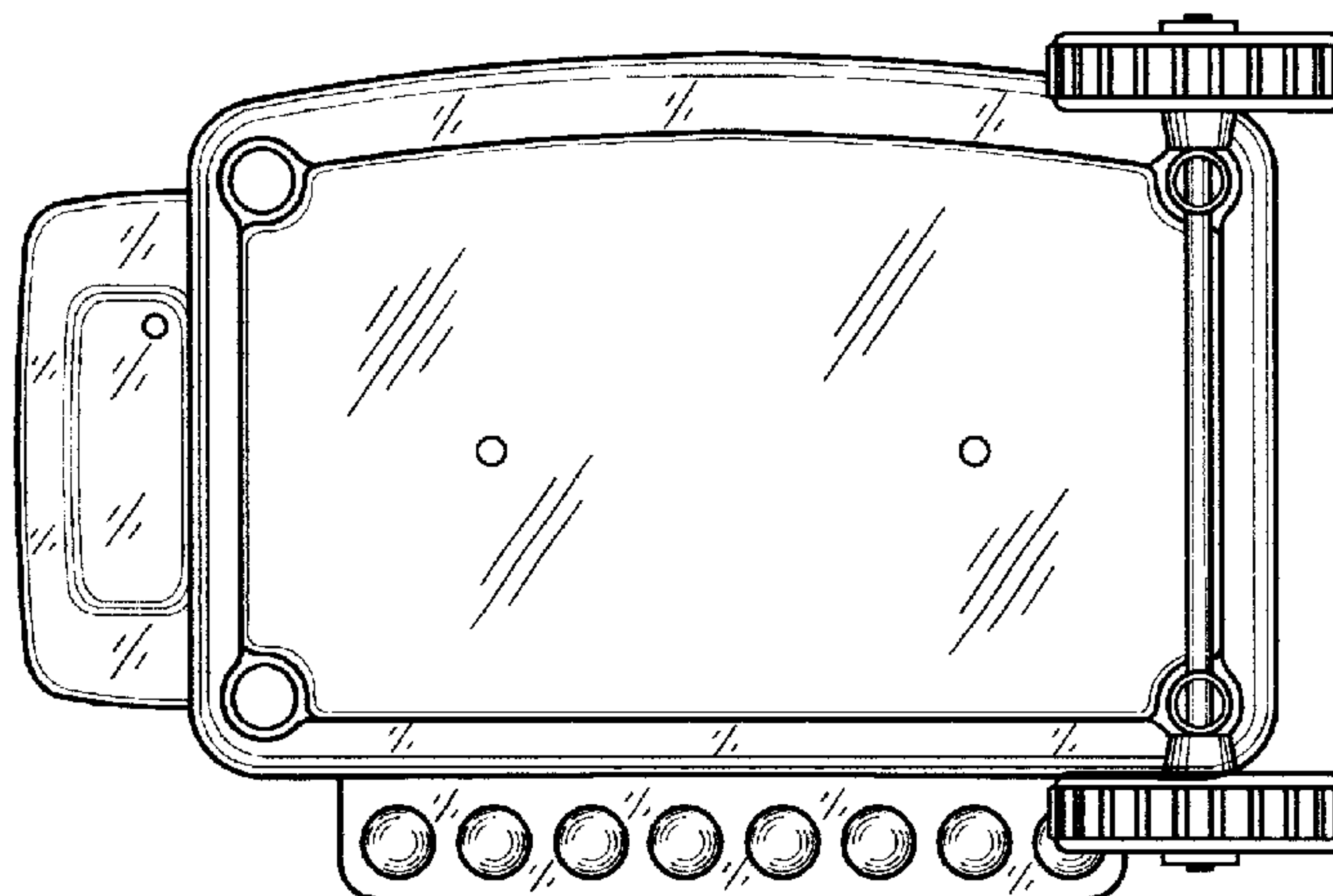


Fig. 16

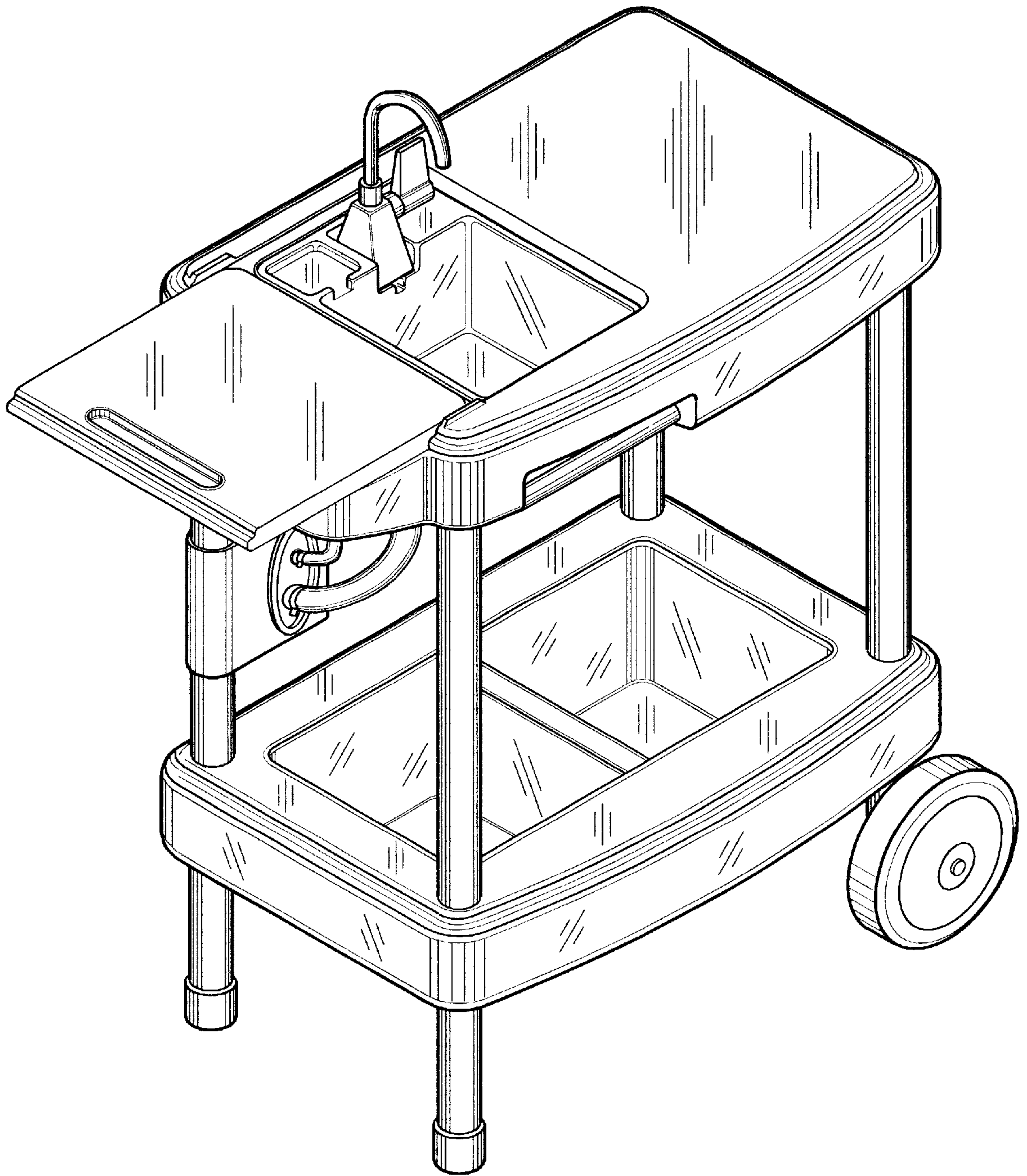


Fig. 17